



US00D963968S

(12) **United States Design Patent**
Jia

(10) **Patent No.:** **US D963,968 S**

(45) **Date of Patent:** **** Sep. 13, 2022**

(54) **WIRELESS REMOTE CONTROL DOG TRAINING DEVICE**

A61B 5/681; A61B 5/6822; A61B 5/6824; A61B 5/6829; G01S 5/0294; H04B 1/38

See application file for complete search history.

(71) Applicant: **Shenzhen Smart Pet Technology Co., Ltd, Shenzhen (CN)**

(56) **References Cited**

(72) Inventor: **Yaya Jia, Shenzhen (CN)**

U.S. PATENT DOCUMENTS

(73) Assignee: **Shenzhen Smart Pet Technology Co., Ltd, Shenzhen (CN)**

D395,882	S	*	7/1998	Gross	D14/137
D408,396	S	*	4/1999	Tyneski	D14/137
6,052,097	A	*	4/2000	Duncan	H01Q 1/273 343/788
D430,126	S	*	8/2000	Lee	D14/137
D452,684	S	*	1/2002	Sedan	D14/137
D455,411	S	*	4/2002	Wong	D14/137
6,598,563	B2	*	7/2003	Kim	A01K 15/021 119/719
D481,024	S	*	10/2003	Nuk	D14/137
D482,630	S	*	11/2003	So	D30/199
D493,776	S	*	8/2004	Esslinger	D14/137

(**) Term: **15 Years**

(21) Appl. No.: **29/833,126**

(22) Filed: **Apr. 1, 2022**

(51) **LOC (13) Cl.** **30-99**

(52) **U.S. Cl.**
USPC **D30/199; D10/104.1**

(58) **Field of Classification Search**
USPC D30/151-155, 144, 199, 160; 119/792-798, 850, 855-859, 863-865, 119/654, 905, 907, 815, 712, 802, 784, 119/769, 760, 776, 862, 908, 860, 119/719-721; 242/381.1-381.2, 385.4, 242/378.3, 376.1, 385.1, 916, 601, 570, 242/405, 404, 371, 223, 170, 388.1, 242/405.2, 377, 381.3, 381.6, 405.3, 242/388.6, 384.7, 382, 396.1, 404.1, 380; 362/108; 33/767, 769, 414; D12/400; D3/229, 230, 207, 208, 215; 40/1.5, 455, 40/640, 303; 206/63.3, 459.5, 702, 408; D6/515; D8/358, 360, 347, 360.1, 359, D8/356, DIG. 1
CPC A01K 15/021; A01K 15/02; A01K 15/022; A01K 15/023; A01K 15/029; A01K 15/04; A01K 15/00; A01K 15/006; A01K 12/022; A01K 27/009; A01K 27/00; A01K 27/001; A01K 27/006-008; A01K 29/005; A01K 29/00; A61B 5/0002-0028;

(Continued)

Primary Examiner — Susan Moon Lee
(74) *Attorney, Agent, or Firm* — True Shepherd LLC; Andrew C. Cheng

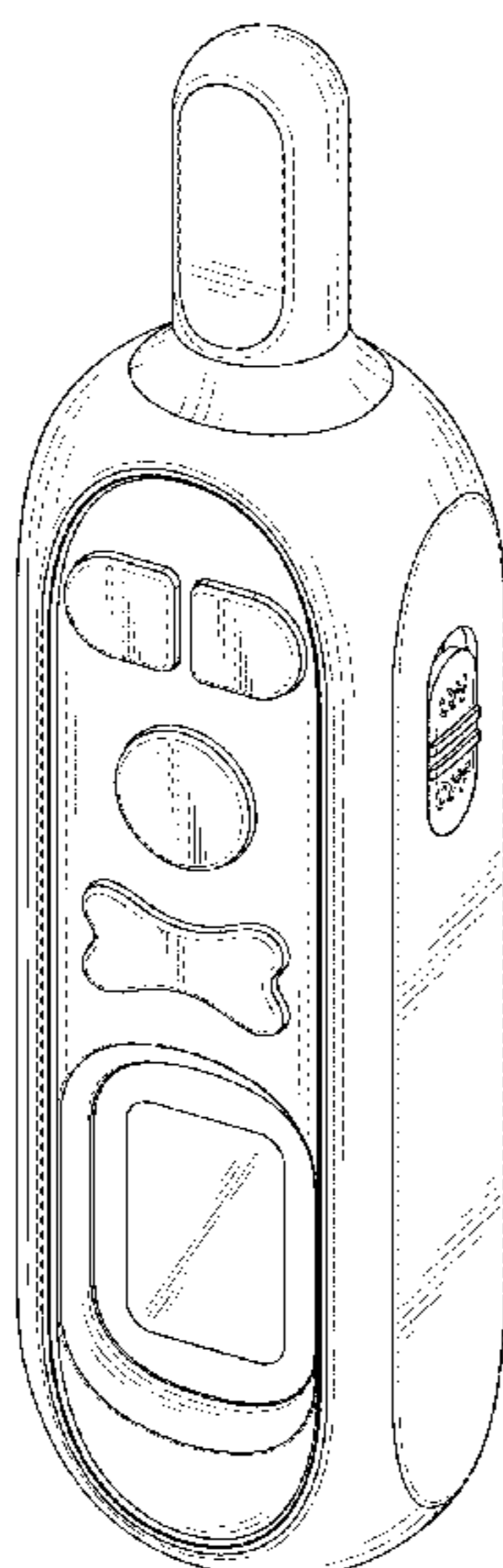
(57) **CLAIM**

The ornamental design for a wireless remote control dog training device, as shown and described.

DESCRIPTION

FIG. 1 is a perspective view of a wireless remote control dog training device showing my new design; FIG. 2 is another perspective view thereof; FIG. 3 is a front view thereof; FIG. 4 is a rear view thereof; FIG. 5 is a left side view thereof; FIG. 6 is a right side view thereof; FIG. 7 is a top plan view thereof; and, FIG. 8 is a bottom plan view thereof. The broken lines depict portions of the wireless remote control dog training device and form no part of the claimed design.

1 Claim, 8 Drawing Sheets



(56)

References Cited

U.S. PATENT DOCUMENTS

D494,944 S *	8/2004	Esslinger	D14/137	D904,702 S *	12/2020	Jia	D10/104.1
D510,046 S *	9/2005	Li	D10/106.1	D914,628 S *	3/2021	Wang	D14/137
D535,902 S *	1/2007	Kaufman	D30/199	D914,629 S *	3/2021	Wang	D14/137
D535,973 S *	1/2007	Goetzl	D14/155	D915,319 S *	4/2021	Tschopp	D14/137
D558,703 S *	1/2008	Kwong	D14/137	D917,404 S *	4/2021	Xu	D13/168
D564,998 S *	3/2008	Tran	D14/137	D920,263 S *	5/2021	Kim	D13/168
D576,127 S *	9/2008	Tran	D14/137	D924,826 S *	7/2021	Tschopp	D14/137
D576,128 S *	9/2008	Tran	D14/137	D925,142 S *	7/2021	Jia	D10/104.1
D633,447 S *	3/2011	Schaal	D13/168	D925,473 S *	7/2021	Dolezel	D13/168
D635,946 S *	4/2011	Garra	D14/137	D925,485 S *	7/2021	Wang	D14/137
8,181,607 B2 *	5/2012	Kim	A01K 15/021 119/908	D927,442 S *	8/2021	Hong	D14/137
D683,916 S *	6/2013	So	D30/199	D930,294 S *	9/2021	Jia	D10/104.1
D685,756 S *	7/2013	Liu	D14/155	D931,246 S *	9/2021	Hong	D14/137
D685,757 S *	7/2013	Liu	D14/155	D931,247 S *	9/2021	Zhang	D14/137
D700,157 S *	2/2014	Kang	D14/137	D931,557 S *	9/2021	Xie	D10/104.1
D700,158 S *	2/2014	Kang	D14/137	D932,453 S *	10/2021	Xiao	D14/137
D711,758 S *	8/2014	Heath	D10/104.1	D933,035 S *	10/2021	Yu	D14/137
D711,848 S *	8/2014	Liu	D14/155	D933,036 S *	10/2021	Hong	D14/137
D733,666 S *	7/2015	Zhang	D13/168	D933,623 S *	10/2021	Liu	D14/137
D737,004 S *	8/2015	Russell	D30/199	D934,514 S *	10/2021	Wen	D10/104.1
D774,935 S *	12/2016	Liu	D10/104.1	D935,112 S *	11/2021	Guo	D10/104.1
D782,985 S *	4/2017	Mishan	D13/168	D936,917 S *	11/2021	Li	D10/104.1
D797,686 S *	9/2017	McRoberts	D13/168	D944,471 S *	2/2022	Li	D10/104.1
D801,840 S *	11/2017	Dwyer	D10/104.1	D946,218 S *	3/2022	Xiao	D10/104.1
D805,701 S *	12/2017	Li	D10/104.1	D947,141 S *	3/2022	Deng	D13/168
D813,473 S *	3/2018	Ni	D10/104.1	D948,467 S *	4/2022	Wang	D14/137
D820,128 S *	6/2018	Wong	D10/78	D949,493 S *	4/2022	Luo	D10/104.1
D835,860 S *	12/2018	Li	D10/104.1	D950,866 S *	5/2022	Wen	D10/104.1
D835,861 S *	12/2018	Li	D10/104.1	D951,894 S *	5/2022	Xiao	D14/137
10,159,219 B2 *	12/2018	Van Curen	A01K 15/022	D952,967 S *	5/2022	Li	D10/104.1
D858,464 S *	9/2019	Li	D13/168	D952,968 S *	5/2022	Li	D10/104.1
D862,812 S *	10/2019	Jia	D10/104.1	11,324,200 B2 *	5/2022	Ma	A01K 15/021
D863,242 S *	10/2019	Gordon	D14/137	D955,670 S *	6/2022	Tan	D10/104.1
D870,057 S *	12/2019	Gassner	D13/168	D956,701 S *	7/2022	Wang	D13/168
D879,390 S *	3/2020	Cai	D10/104.1	2005/0172912 A1 *	8/2005	Crist	A01K 15/021 119/720
D881,141 S *	4/2020	Chen	D13/168	2008/0036610 A1 *	2/2008	Hokuf	G08B 21/028 340/573.3
D881,486 S *	4/2020	Li	D10/104.1	2012/0272924 A1 *	11/2012	So	A01K 15/021 119/720
D883,829 S *	5/2020	Nytko	D10/104.1	2014/0261233 A1 *	9/2014	So	A01K 27/009 119/720
D884,995 S *	5/2020	Ni	D10/104.1	2017/0208775 A1 *	7/2017	Van Curen	A01K 15/023
D889,758 S *	7/2020	Van Curen	D10/104.1	2017/0360003 A1 *	12/2017	So	A01K 27/009
D893,436 S *	8/2020	Becker	D13/168	2020/0015456 A1 *	1/2020	Van Curen	A01K 15/022
D898,308 S *	10/2020	Yang	D10/104.1	2021/0289748 A1 *	9/2021	Ma	A01K 15/021
D899,016 S *	10/2020	Jia	D10/104.1	2022/0053736 A1 *	2/2022	Xiao	A01K 15/021
D904,214 S *	12/2020	Zinn	D10/104.1				

* cited by examiner

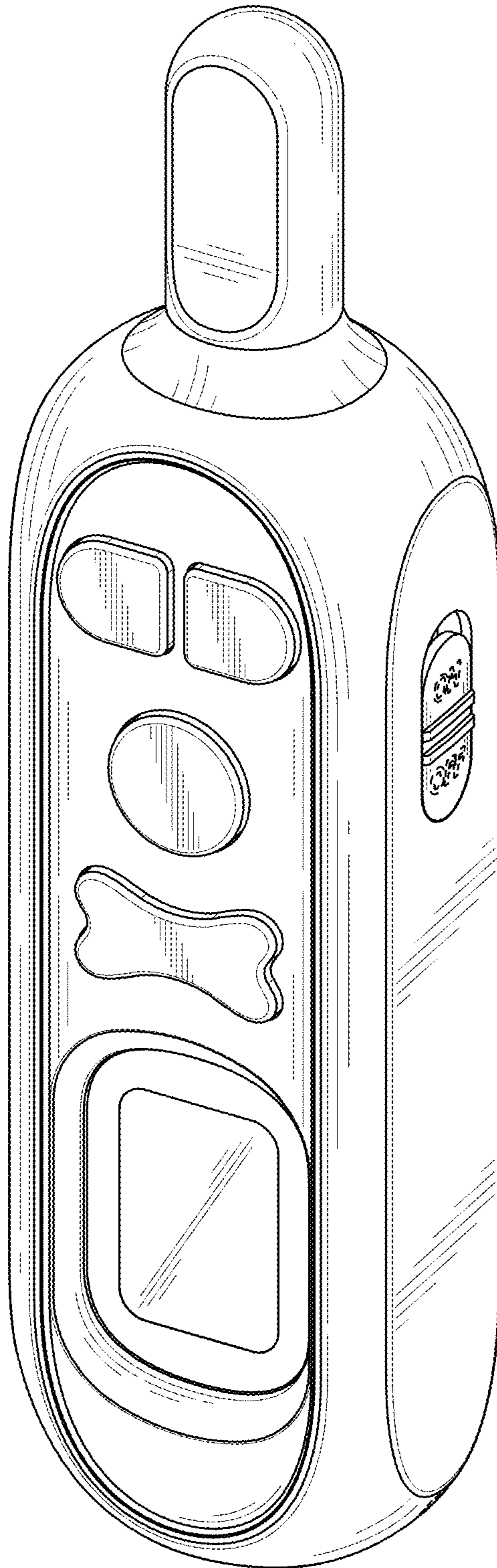


FIG. 1

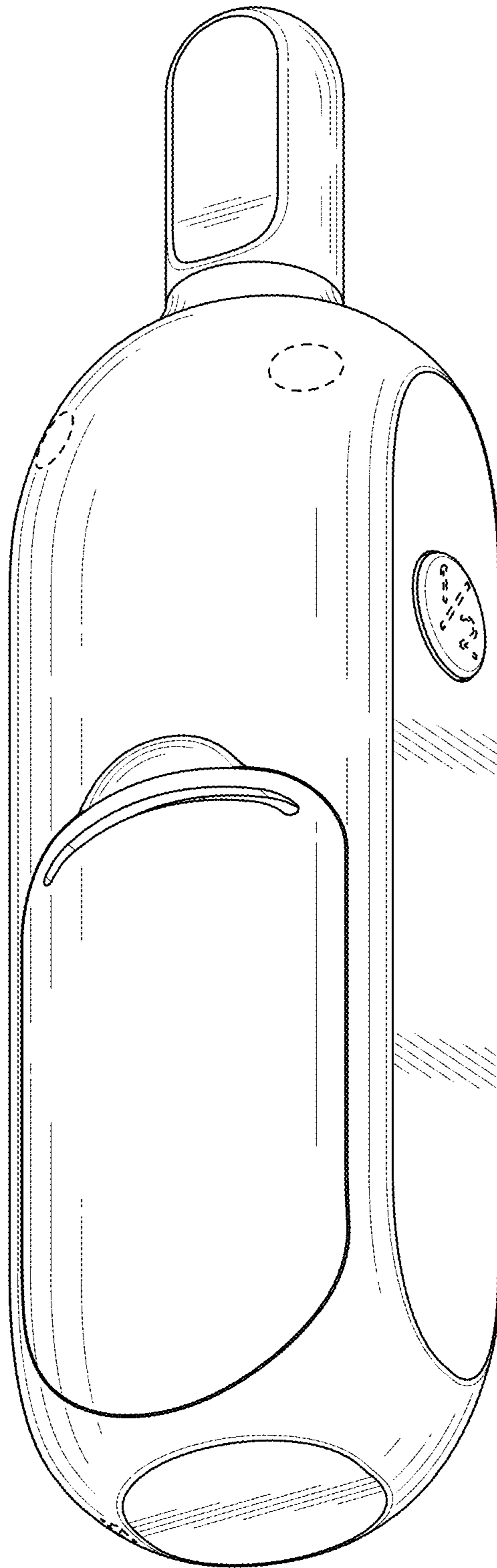


FIG. 2

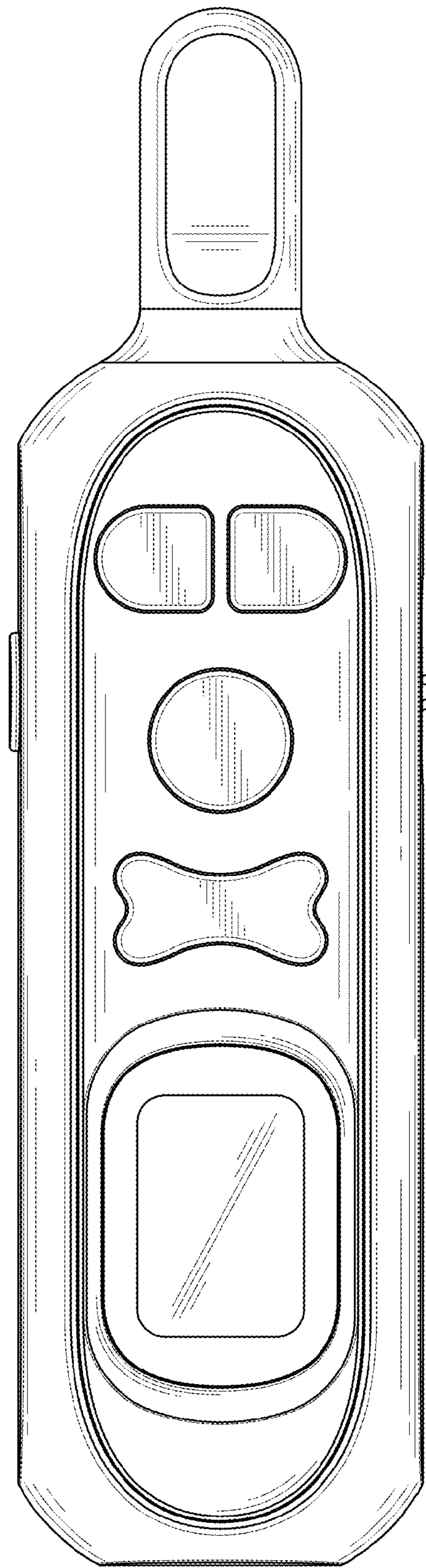


FIG. 3

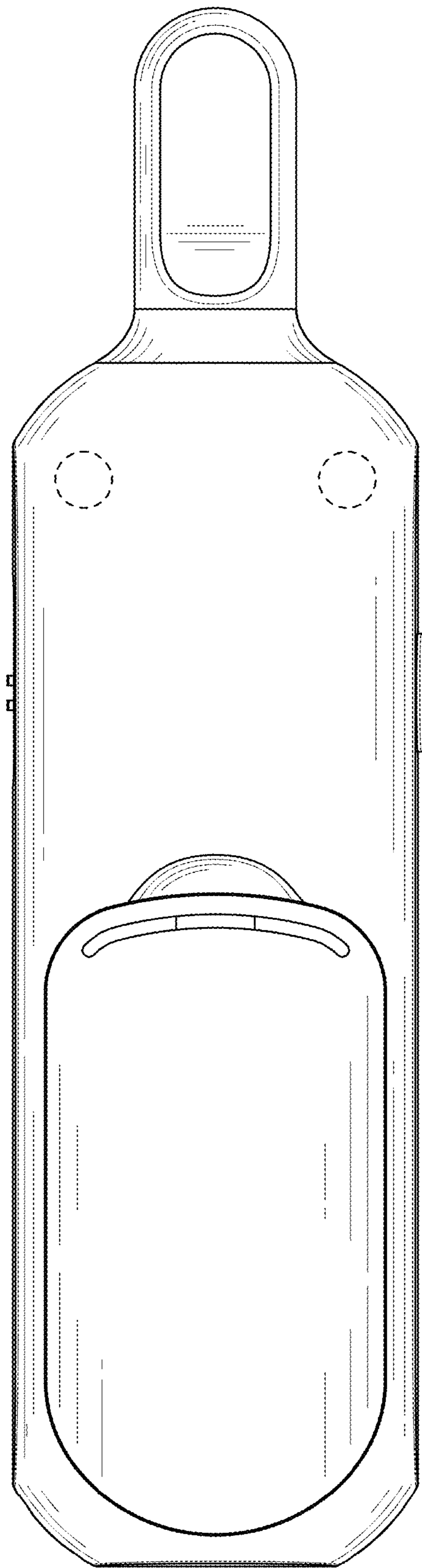


FIG. 4

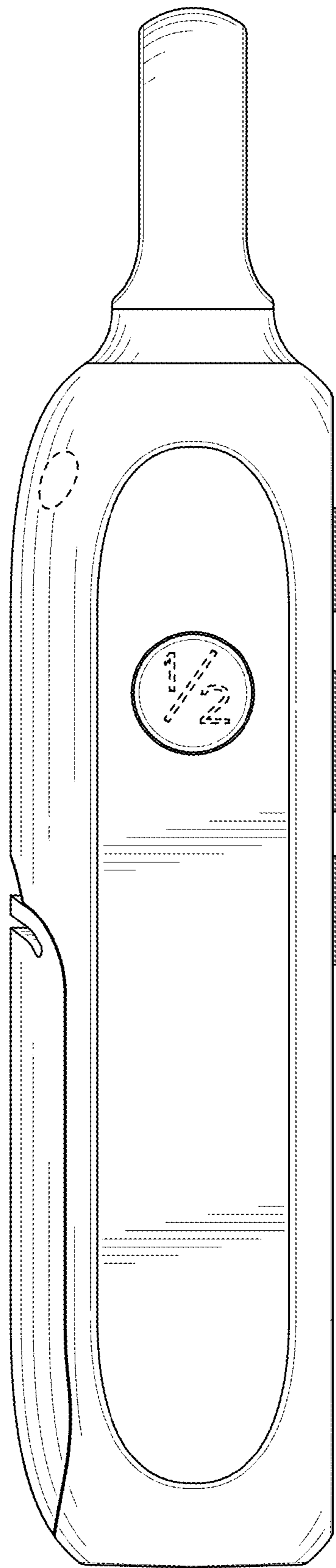


FIG. 5

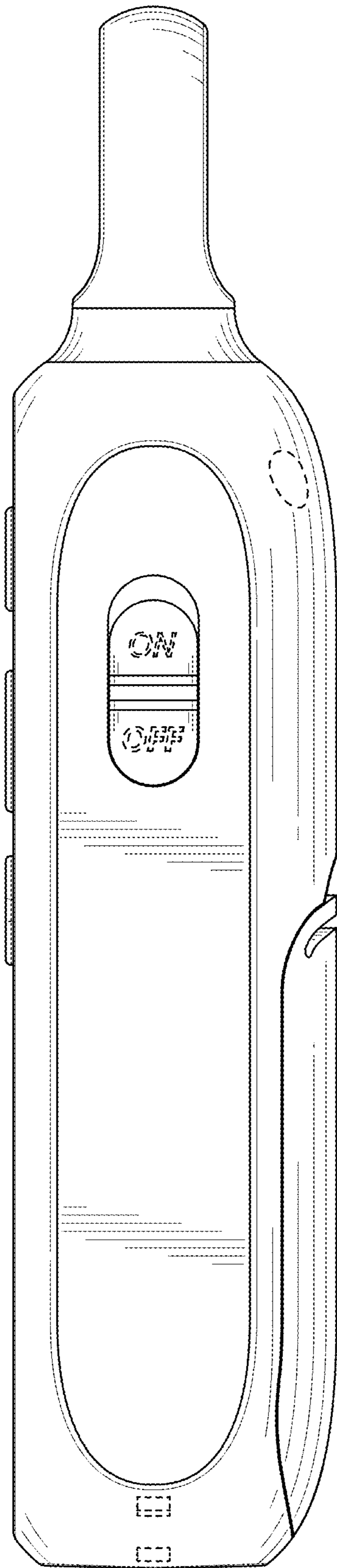


FIG. 6

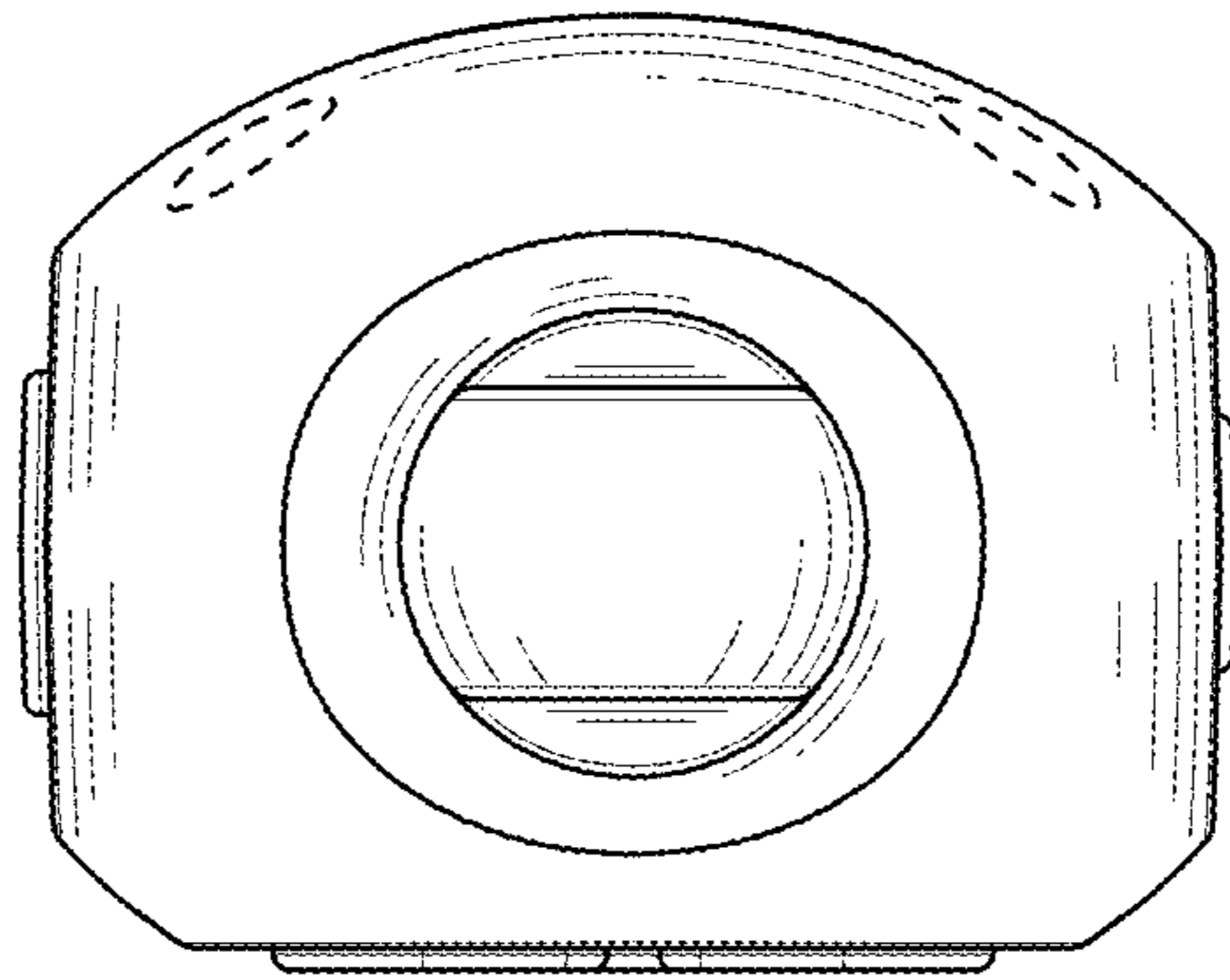


FIG. 7

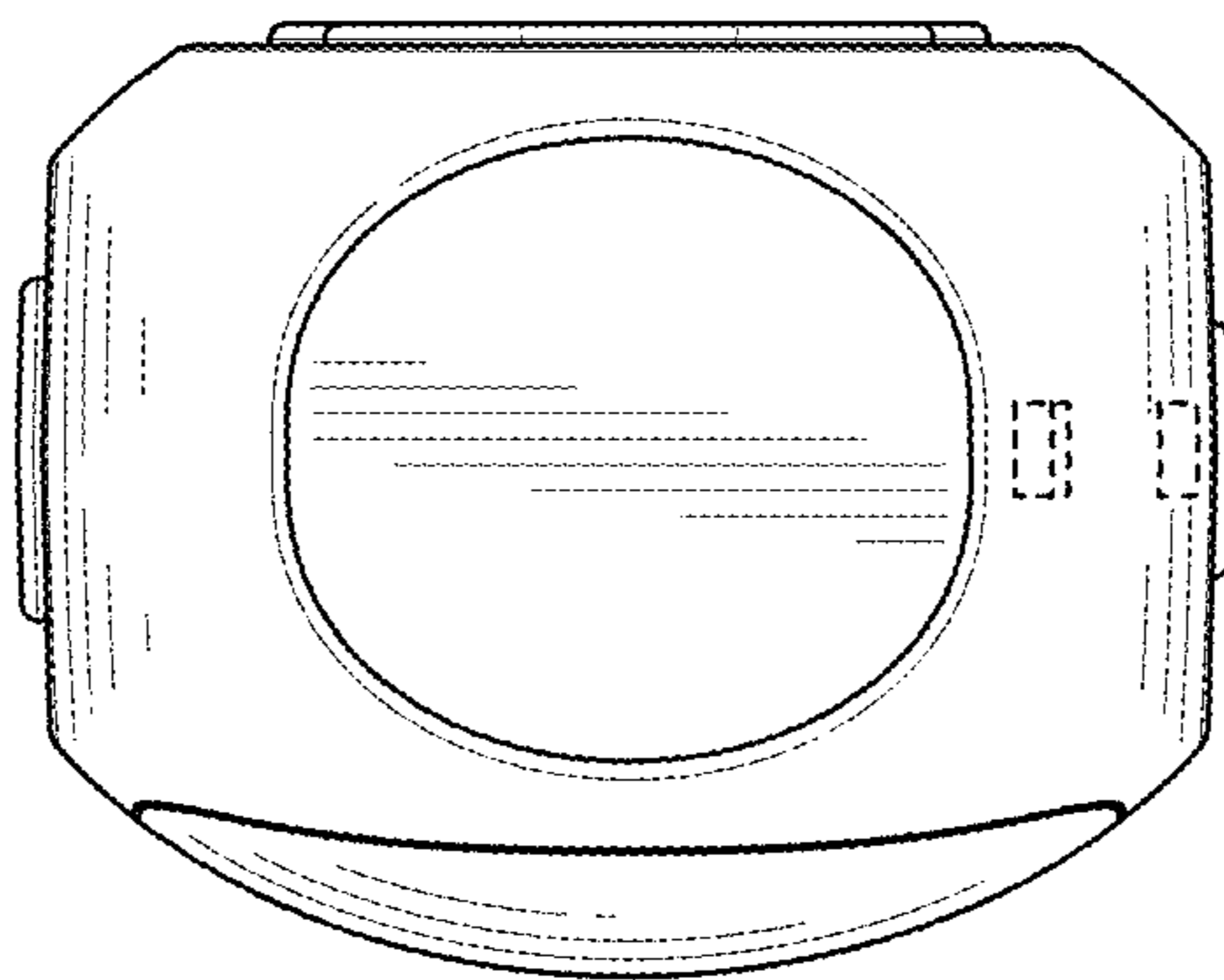


FIG. 8