



US00D963967S

(12) **United States Design Patent** (10) **Patent No.:** **US D963,967 S**
Jia (45) **Date of Patent:** **** Sep. 13, 2022**

(54) **WIRELESS REMOTE CONTROL DOG TRAINING DEVICE**

(71) Applicant: **Shenzhen Smart Pet Technology Co., Ltd, Shenzhen (CN)**

(72) Inventor: **Yaya Jia, Shenzhen (CN)**

(73) Assignee: **Shenzhen Smart Pet Technology Co., Ltd, Shenzhen (CN)**

(**) Term: **15 Years**

(21) Appl. No.: **29/830,703**

(22) Filed: **Mar. 15, 2022**

(51) **LOC (13) Cl.** **30-99**

(52) **U.S. Cl.**
USPC **D30/199; D10/104.1**

(58) **Field of Classification Search**
USPC D30/151-155, 144, 199, 160;
119/792-798, 850, 855-859, 863-865,
119/654, 905, 907, 815, 712, 802, 784,
119/769, 760, 776, 862, 908, 860,
119/719-721; 242/381.1-381.2, 385.4,
242/378.3, 376.1, 385.1, 916, 601, 570,
242/405, 404, 371, 223, 170, 388.1,
242/405.2, 377, 381.3, 381.6, 405.3,
242/388.6, 384.7, 382, 396.1, 404.1, 380;
362/108; 33/767, 769, 414; D12/400;
D3/229, 230, 207, 208, 215; 40/1.5, 455,
40/640, 303; 206/63.3, 459.5, 702, 408;
D6/515; D8/358, 360, 347, 360.1, 359,
D8/356, DIG. 1; D24/145, 167, 186, 146,
D24/169; D10/57, 72, 106.1, 104.1,
D10/104.2, 109.2, 70, 97, 98, 78, 65;
D20/28; 224/666, 678; 16/445; 283/74,
283/70; D11/232, 200, 216, 1, 2, 86, 87,
D11/201, 206-210, 212-215, 218;
24/163 K, 122.3, 323, 702, 600.4-600.7,
24/163 R, 169-171, 173, 177-179, 191,
24/194, 195, 197, 200, 303, 616, 635,

24/313, 615, 3, 6, 3 K, 599.2, 96, 221,
24/237, 311, 312, 314, 321, 338, 339,
24/309; 428/3, 4; 54/76, 1, 71; 63/29.1,
63/3; 191/12.2 R, 12.4; D13/154, 153,
D13/137.4, 155, 103, 168; D19/69, 67;
379/438; 446/26; 473/576; D22/140;
174/135; 439/504, 13, 501; D34/33;
188/83, 82.1, 65.1; 254/134.3 FT;
(Continued)

(56) **References Cited**

U.S. PATENT DOCUMENTS

D395,882 S * 7/1998 Oross D14/137
D408,396 S * 4/1999 Tyneski D14/137
(Continued)

Primary Examiner — Susan Moon Lee
(74) *Attorney, Agent, or Firm* — True Shepherd LLC;
Andrew C. Cheng

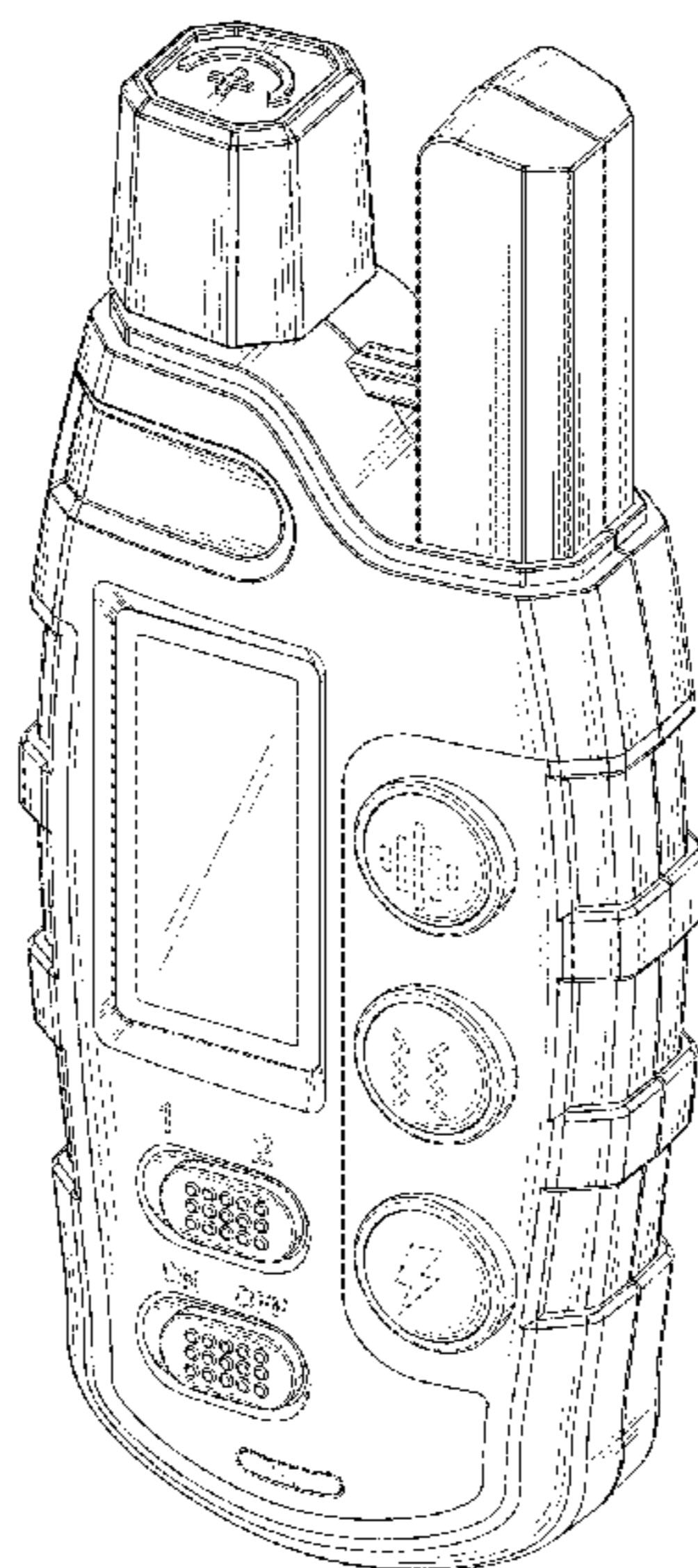
(57) **CLAIM**

The ornamental design for a wireless remote control dog training device, as shown and described.

DESCRIPTION

FIG. 1 is a perspective view of a wireless remote control dog training device showing my new design;
FIG. 2 is another perspective view thereof;
FIG. 3 is a front view thereof;
FIG. 4 is a rear view thereof;
FIG. 5 is a left side view thereof;
FIG. 6 is a right side view thereof;
FIG. 7 is a top plan view thereof; and,
FIG. 8 is a bottom plan view thereof.
The broken lines depict portions of the wireless remote control dog training device and form no part of the claimed design.

1 Claim, 8 Drawing Sheets



(58) **Field of Classification Search**

USPC D29/124; D2/627, 624, 633, 625;
 132/145, 146, 148; 2/314; 59/79.1;
 340/573.3, 573.1, 573, 573.4,
 340/539.13-539.19; 343/895; 278/8;
 231/7; 361/232; D14/344, 341, 137,
 D14/155, 496, 203.5, 203.3, 144, 218,
 D14/188, 216, 192; 342/357.51, 357.57,
 342/357.52, 357.55; 455/100, 352, 456.1,
 455/550.1, 90.2; 315/291
 CPC A01K 15/021; A01K 15/02; A01K 15/022;
 A01K 15/023; A01K 15/029; A01K
 15/04; A01K 15/00; A01K 15/006; A01K
 12/022; A01K 27/009; A01K 27/00;
 A01K 27/001; A01K 27/006-008; A01K
 29/005; A01K 29/00; A61B 5/0002-0028;
 A61B 5/681; A61B 5/6822; A61B
 5/6824; A61B 5/6829; G01S 5/0294;
 H04B 1/38

See application file for complete search history.

(56) **References Cited**

U.S. PATENT DOCUMENTS

6,052,097 A * 4/2000 Duncan H01Q 1/273
 343/788
 D430,126 S * 8/2000 Lee D14/137
 D452,684 S * 1/2002 Sedan D14/137
 D455,411 S * 4/2002 Wong D14/137
 6,598,563 B2 * 7/2003 Kim A01K 15/021
 119/719
 D481,024 S * 10/2003 Nuk D14/137
 D482,630 S * 11/2003 So D30/199
 D493,776 S * 8/2004 Esslinger D14/137
 D494,944 S * 8/2004 Esslinger D14/137
 D510,046 S * 9/2005 Li D10/106.1
 D535,902 S * 1/2007 Kaufman D30/199
 D535,973 S * 1/2007 Goetzl D14/155
 D558,703 S * 1/2008 Kwong D14/137
 D564,998 S * 3/2008 Tran D14/137
 D576,127 S * 9/2008 Tran D14/137
 D576,128 S * 9/2008 Tran D14/137
 D633,447 S * 3/2011 Schaal D13/168
 D635,946 S * 4/2011 Garra D14/137
 8,181,607 B2 * 5/2012 Kim A01K 15/021
 119/908
 D683,916 S * 6/2013 So D30/199
 D685,756 S * 7/2013 Liu D14/155
 D685,757 S * 7/2013 Liu D14/155
 D700,157 S * 2/2014 Kang D14/137
 D700,158 S * 2/2014 Kang D14/137
 D711,758 S * 8/2014 Heath D10/104.1
 D711,848 S * 8/2014 Liu D14/155
 D733,666 S * 7/2015 Zhang D13/168
 D737,004 S * 8/2015 Russell D30/199
 D774,935 S * 12/2016 Liu D10/104.1
 D782,985 S * 4/2017 Mishan D13/168
 D797,686 S * 9/2017 McRoberts D13/168
 D801,840 S * 11/2017 Dwyer D10/104.1
 D805,701 S 12/2017 Li
 D813,473 S * 3/2018 Ni D10/104.1

D820,128 S * 6/2018 Wong D10/78
 D835,860 S 12/2018 Li
 D835,861 S 12/2018 Li
 10,159,219 B2 * 12/2018 Van Curen A01K 15/022
 D858,464 S * 9/2019 Li D13/168
 D862,812 S * 10/2019 Jia D10/104.1
 D863,242 S * 10/2019 Gordon D14/137
 D870,057 S * 12/2019 Gassner D13/168
 D879,390 S * 3/2020 Cai D10/104.1
 D881,141 S * 4/2020 Chen D13/168
 D881,486 S * 4/2020 Li D10/104.1
 D883,829 S * 5/2020 Nytko D10/104.1
 D884,995 S * 5/2020 Ni D10/104.1
 D889,758 S * 7/2020 Van Curen D10/104.1
 D893,436 S * 8/2020 Becker D13/168
 D898,308 S * 10/2020 Yang D10/104.1
 D899,016 S * 10/2020 Jia D10/104.1
 D904,214 S * 12/2020 Zinn D10/104.1
 D904,702 S * 12/2020 Jia D10/104.1
 D914,628 S * 3/2021 Wang D14/137
 D914,629 S * 3/2021 Wang D14/137
 D915,319 S * 4/2021 Tschopp D14/137
 D917,404 S * 4/2021 Xu D13/168
 D920,263 S * 5/2021 Kim D13/168
 D924,826 S * 7/2021 Tschopp D14/137
 D925,142 S * 7/2021 Jia D10/104.1
 D925,473 S * 7/2021 Dolezel D13/168
 D925,485 S * 7/2021 Wang D14/137
 D927,442 S * 8/2021 Hong D14/137
 D930,294 S * 9/2021 Jia D10/104.1
 D931,246 S * 9/2021 Hong D14/137
 D931,247 S * 9/2021 Zhang D14/137
 D931,557 S * 9/2021 Xie D10/104.1
 D932,453 S * 10/2021 Xiao D14/137
 D933,035 S * 10/2021 Yu D14/137
 D933,036 S * 10/2021 Hong D14/137
 D933,623 S * 10/2021 Liu D14/137
 D934,514 S * 10/2021 Wen D10/104.1
 D935,112 S * 11/2021 Guo D10/104.1
 D936,917 S * 11/2021 Li D10/104.1
 D944,471 S * 2/2022 Li D10/104.1
 D946,218 S * 3/2022 Xiao D10/104.1
 D947,141 S * 3/2022 Deng D13/168
 D948,467 S * 4/2022 Wang D14/137
 D949,493 S * 4/2022 Luo D10/104.1
 D950,866 S * 5/2022 Wen D10/104.1
 D951,894 S * 5/2022 Xiao D14/137
 D952,967 S * 5/2022 Li D10/104.1
 D952,968 S * 5/2022 Li D10/104.1
 11,324,200 B2 * 5/2022 Ma A01K 15/021
 D955,670 S * 6/2022 Tan D10/104.1
 D956,701 S * 7/2022 Wang D13/168
 2005/0172912 A1 * 8/2005 Crist A01K 15/021
 119/720
 2008/0036610 A1 * 2/2008 Hokuf G08B 21/028
 340/573.3
 2012/0272924 A1 * 11/2012 So A01K 15/021
 119/720
 2014/0261233 A1 * 9/2014 So A01K 27/009
 119/720
 2017/0208775 A1 * 7/2017 Van Curen A01K 15/023
 2017/0360003 A1 * 12/2017 So A01K 27/009
 2020/0015456 A1 * 1/2020 Van Curen A01K 15/022
 2021/0289748 A1 * 9/2021 Ma A01K 15/021
 2022/0053736 A1 * 2/2022 Xiao A01K 15/021

* cited by examiner

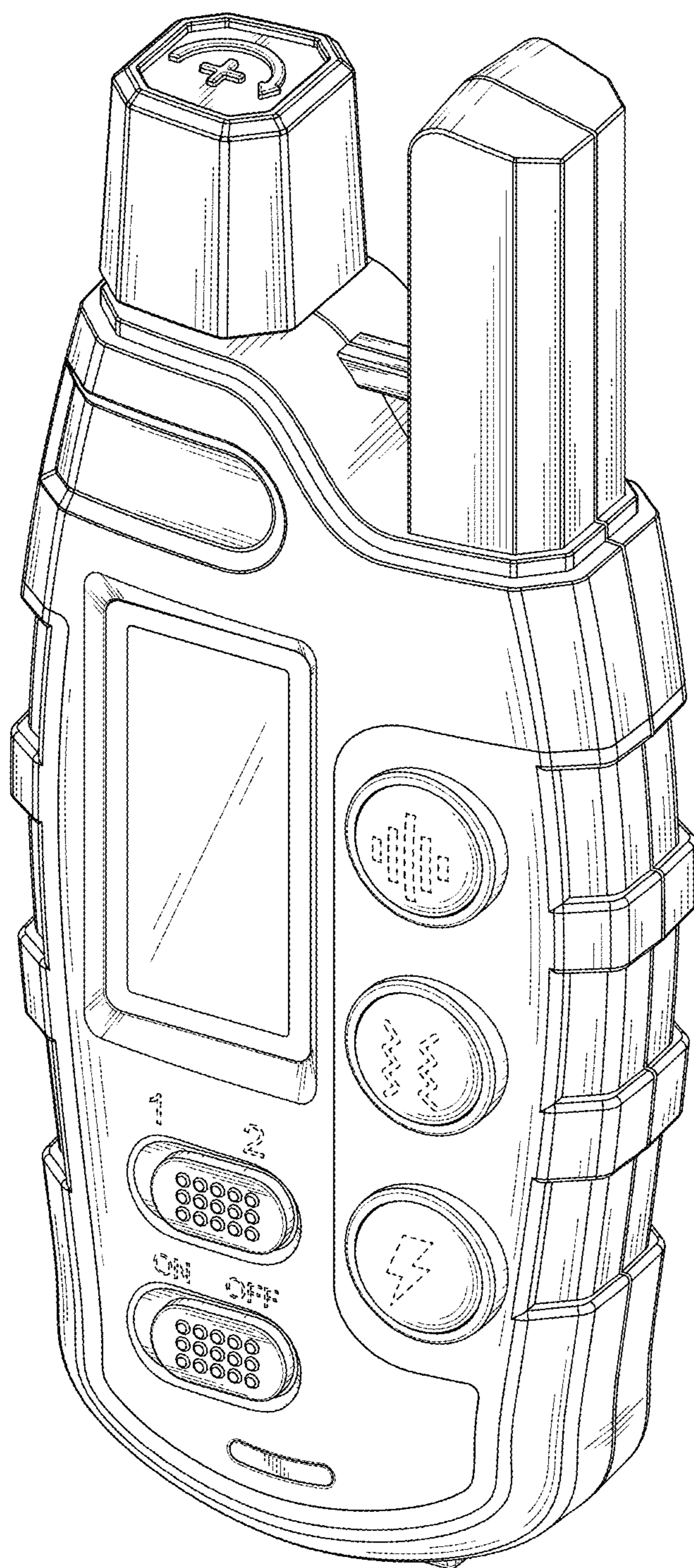


FIG. 1

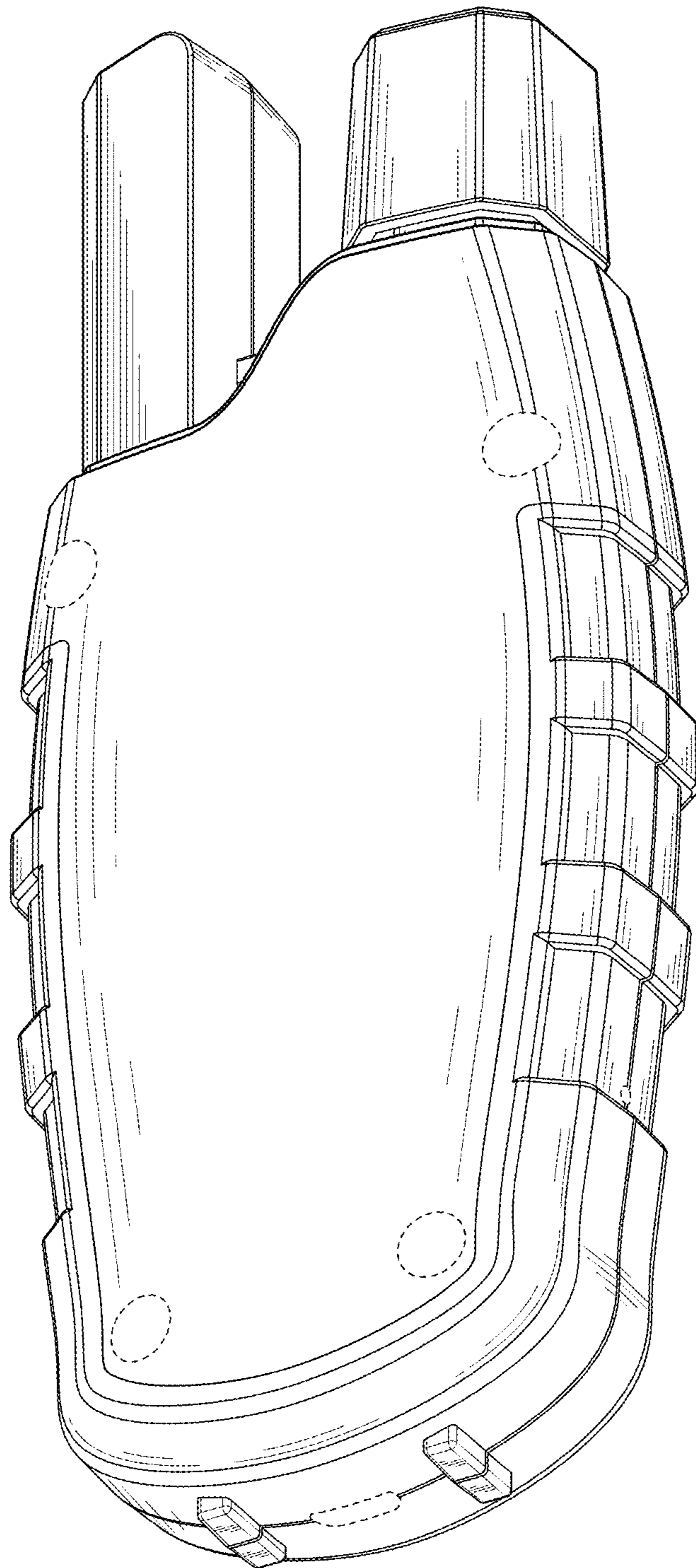


FIG. 2

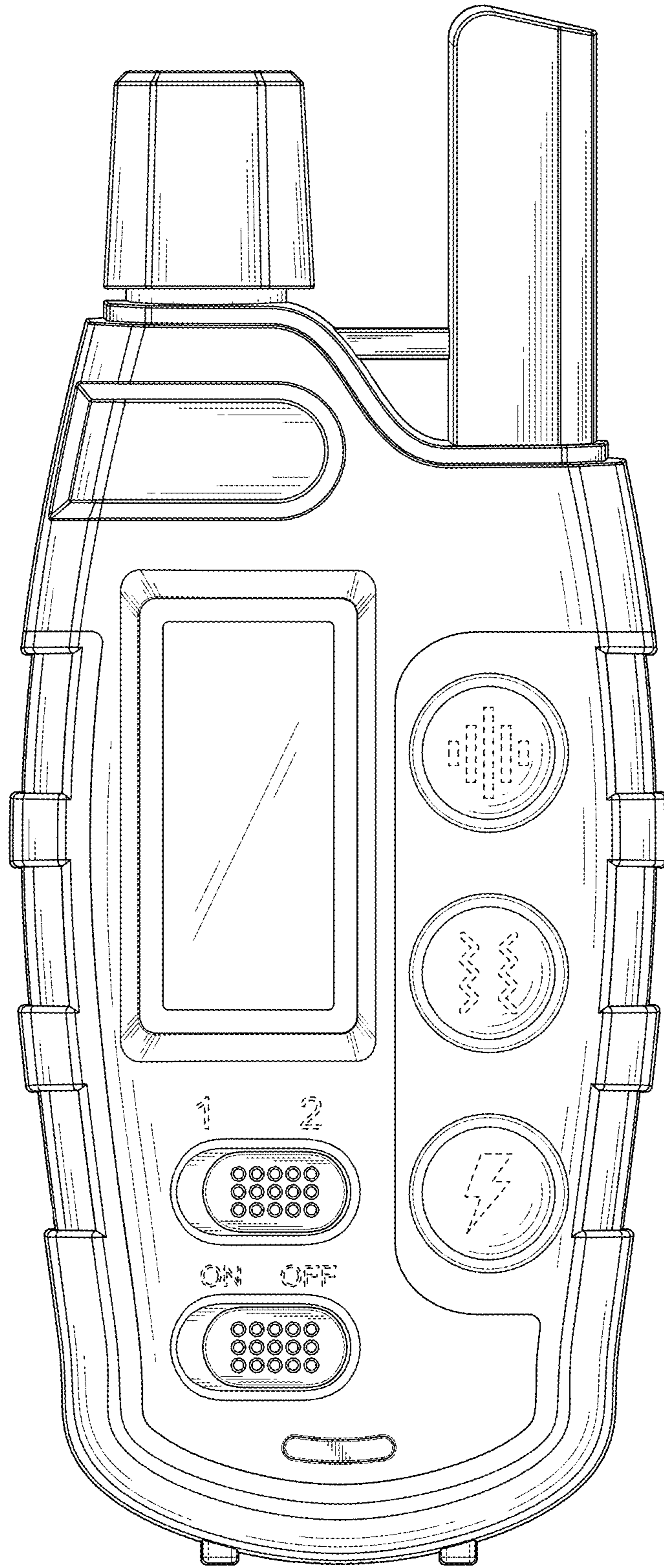


FIG. 3

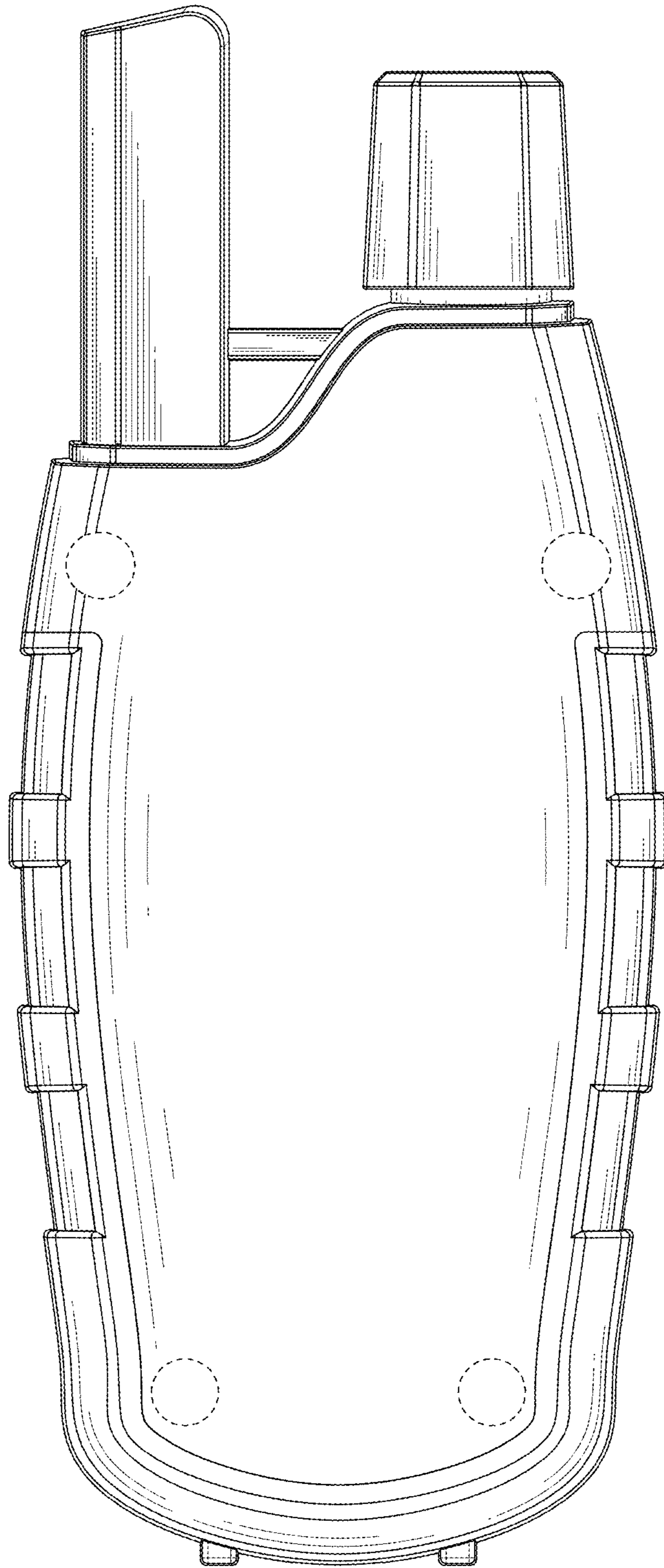


FIG. 4

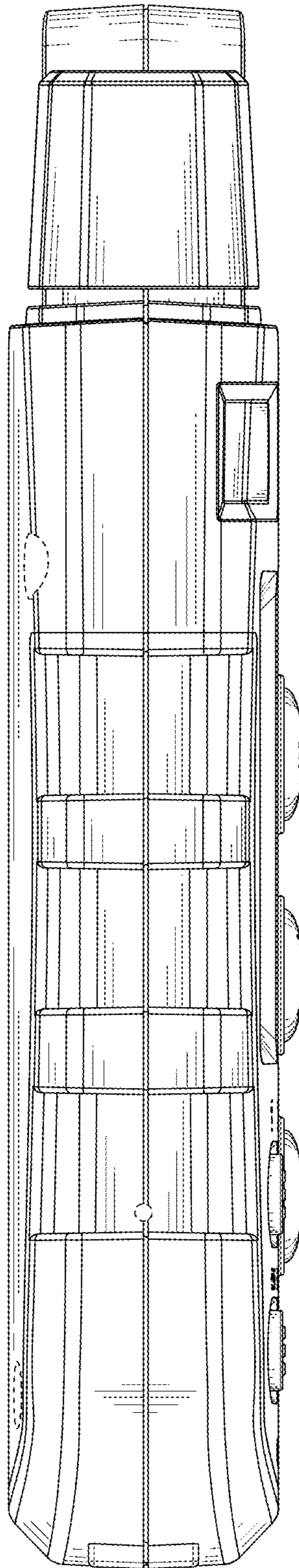


FIG. 5

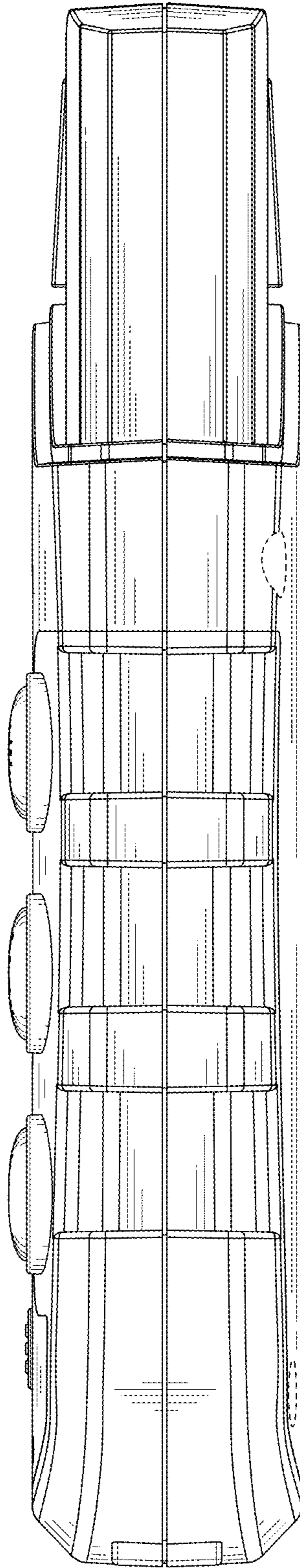


FIG. 6

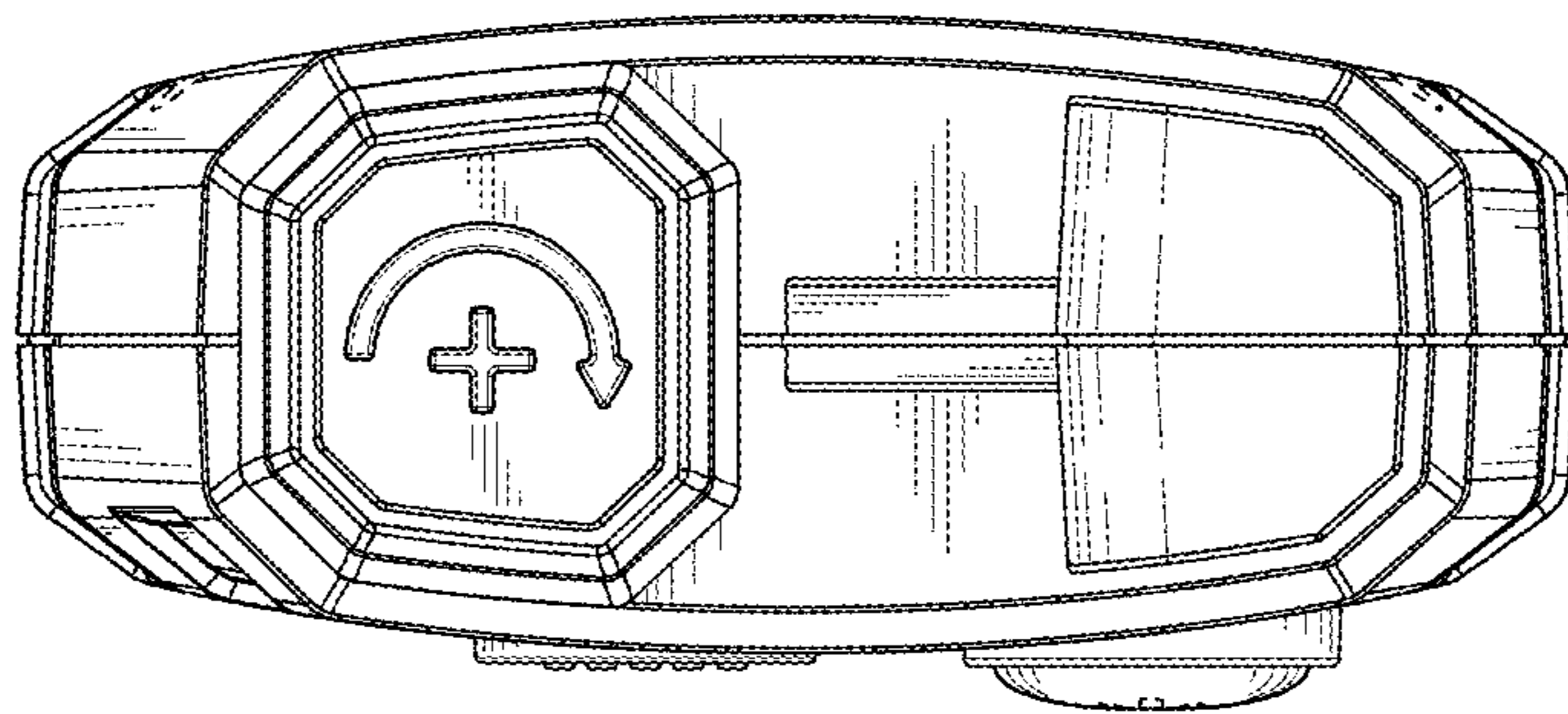


FIG. 7

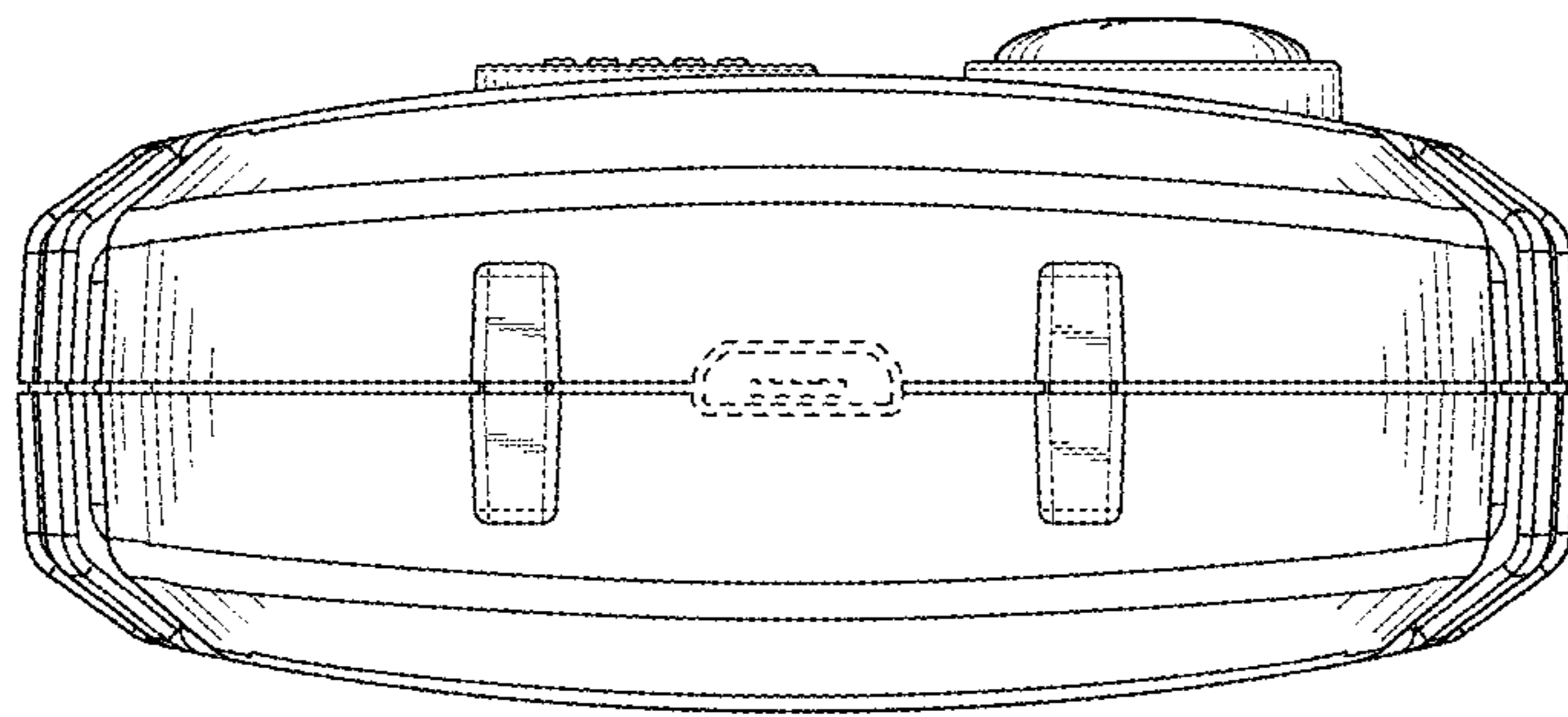


FIG. 8