



US00D963964S

(12) **United States Design Patent** (10) **Patent No.:** **US D963,964 S**
Short (45) **Date of Patent:** **** Sep. 13, 2022**

(54) **LITTER BOX WITH POUR SPOUT AND HANDLES**

D764,170 S * 8/2016 Bougay D3/304
D782,754 S * 3/2017 Veness D30/161
D840,611 S * 2/2019 Takagi D30/161
D870,988 S * 12/2019 Teper D30/161

(Continued)

(71) Applicant: **Alia Short**, Tampa, FL (US)

(72) Inventor: **Alia Short**, Tampa, FL (US)

(**) Term: **15 Years**

(21) Appl. No.: **29/762,791**

(22) Filed: **Dec. 18, 2020**

(51) **LOC (13) Cl.** **30-99**

(52) **U.S. Cl.**
USPC **D30/161; D3/304**

(58) **Field of Classification Search**
USPC D30/108-109, 112-120, 161, 162
CPC A01K 1/01; A01K 1/0107; A01K 1/011;
A01K 1/0114; A01K 1/0117; A01K
1/0121; A01K 1/0125; A01K 1/0128;
A01K 1/0132; A01K 1/0135; A01K
1/0139; A01K 1/0142; A01K 1/0236;
A01K 1/0272; A01K 1/029; A01K 1/033;
A01K 1/034; A01K 1/035; A01K 1/0035
See application file for complete search history.

(56) **References Cited**

U.S. PATENT DOCUMENTS

D380,880 S * 7/1997 Reid D30/118
D436,728 S * 1/2001 Harding D3/304
D526,748 S * 8/2006 Van Skiver D32/53.1
D531,802 S * 11/2006 Zimmerman D3/276
7,150,242 B2 * 12/2006 Schuster A01K 1/0107
119/165
D638,590 S * 5/2011 Lipscomb D23/278
D646,444 S * 10/2011 Lawson D30/161
D678,632 S * 3/2013 Chance D30/161
D679,461 S * 4/2013 Chance D30/161
D691,335 S * 10/2013 Zettlemoyer D30/161
D699,407 S * 2/2014 Sikora D30/161
9,258,977 B1 * 2/2016 Hilger A01K 1/0107

FOREIGN PATENT DOCUMENTS

CN 304372034 * 11/2017
KR 300945734 * 2/2018
KR 301061776 * 6/2020

OTHER PUBLICATIONS

IRIS USA Cat Litter Box, available in Amazon.com, date first available Jul. 13, 2016 [online], [site visited May 13, 2022], Available from the internet URL: <https://www.amazon.com/IRIS-USA-Litter-Kitty-Shield/dp/B07MTFPXZ4?th=1> (Year: 2016).*

(Continued)

Primary Examiner — Jennifer L Rempfer
Assistant Examiner — Elizabeth Anne Glassberg
(74) *Attorney, Agent, or Firm* — Larson & Larson, P.A.;
Justin P. Miller; Frank Liebenow

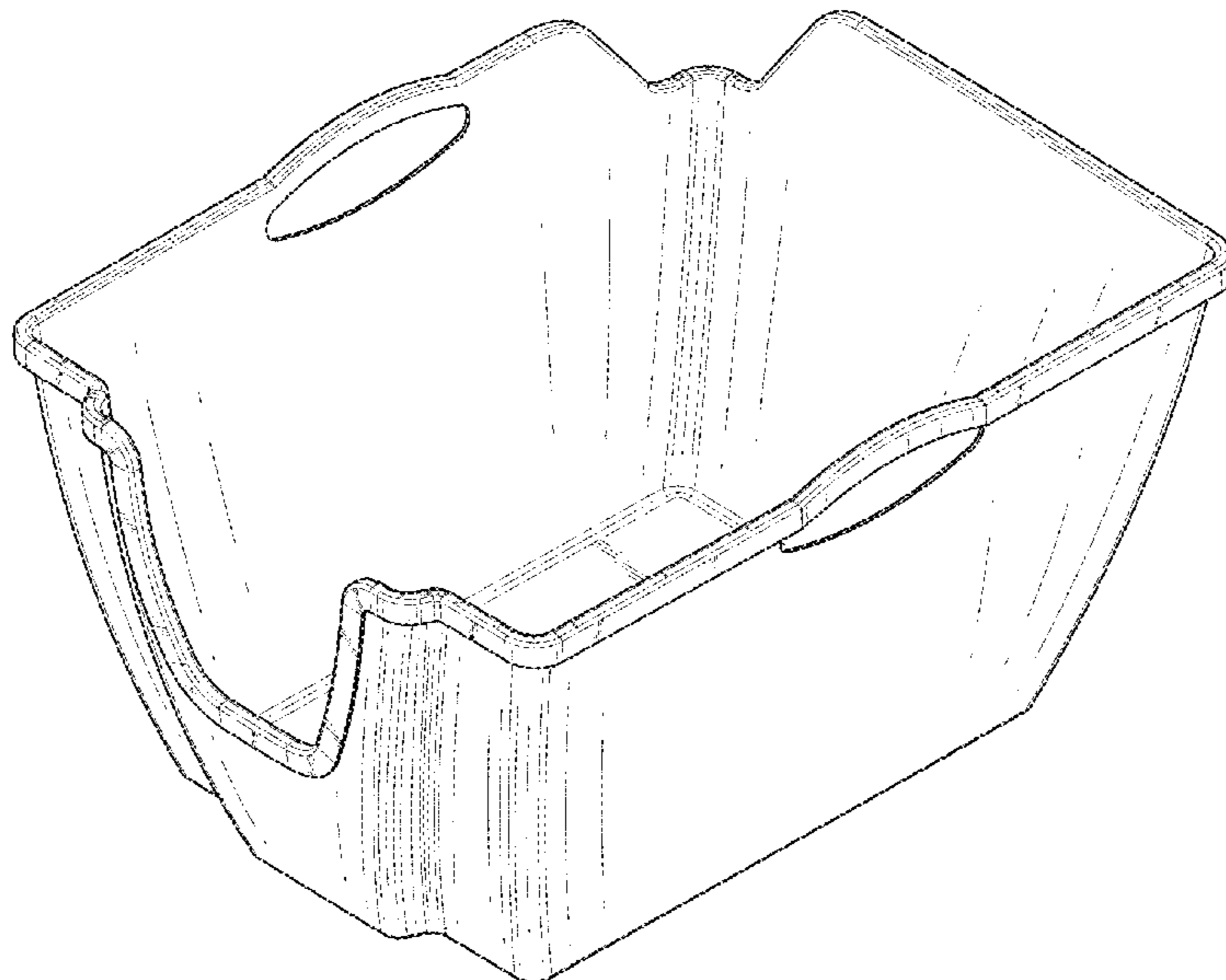
(57) **CLAIM**

I claim the ornamental design for a litter box with pour spout and handles, as shown and described.

DESCRIPTION

FIG. 1 is a first top perspective view of a litter box with pour spout and handles showing my new design; FIG. 2 is a second top perspective view thereof; FIG. 3 is a bottom perspective view thereof; FIG. 4 is a left-side elevation view thereof; FIG. 5 is a right-side elevation view thereof; FIG. 6 is a front elevation view thereof; FIG. 7 is a back elevation thereof; FIG. 8 is a top plan view thereof; and, FIG. 9 is a bottom plan view thereof.

1 Claim, 9 Drawing Sheets



(56)

References Cited

U.S. PATENT DOCUMENTS

D874,750 S * 2/2020 Veness D30/161
D888,352 S * 6/2020 Olivier D30/161
D935,111 S * 11/2021 Nam D30/161
D942,094 S * 1/2022 Courchesne D30/161
2004/0261727 A1* 12/2004 Matsuo A01K 1/0107
119/170
2020/0163306 A1* 5/2020 Takai A01K 1/0107
2021/0051916 A1* 2/2021 Weber A01K 1/0114

OTHER PUBLICATIONS

Nature's Miracle High-Sided Litter Box, available in Amazon.com, date first available Jun. 1, 2012 [online], [site visited May 13, 2022], Available from the internet URL: <https://www.amazon.com/Natures-Miracle-High-Sided-Litter-inches/dp/B0087Y5NKS?th=1> (Year: 2012).*

* cited by examiner

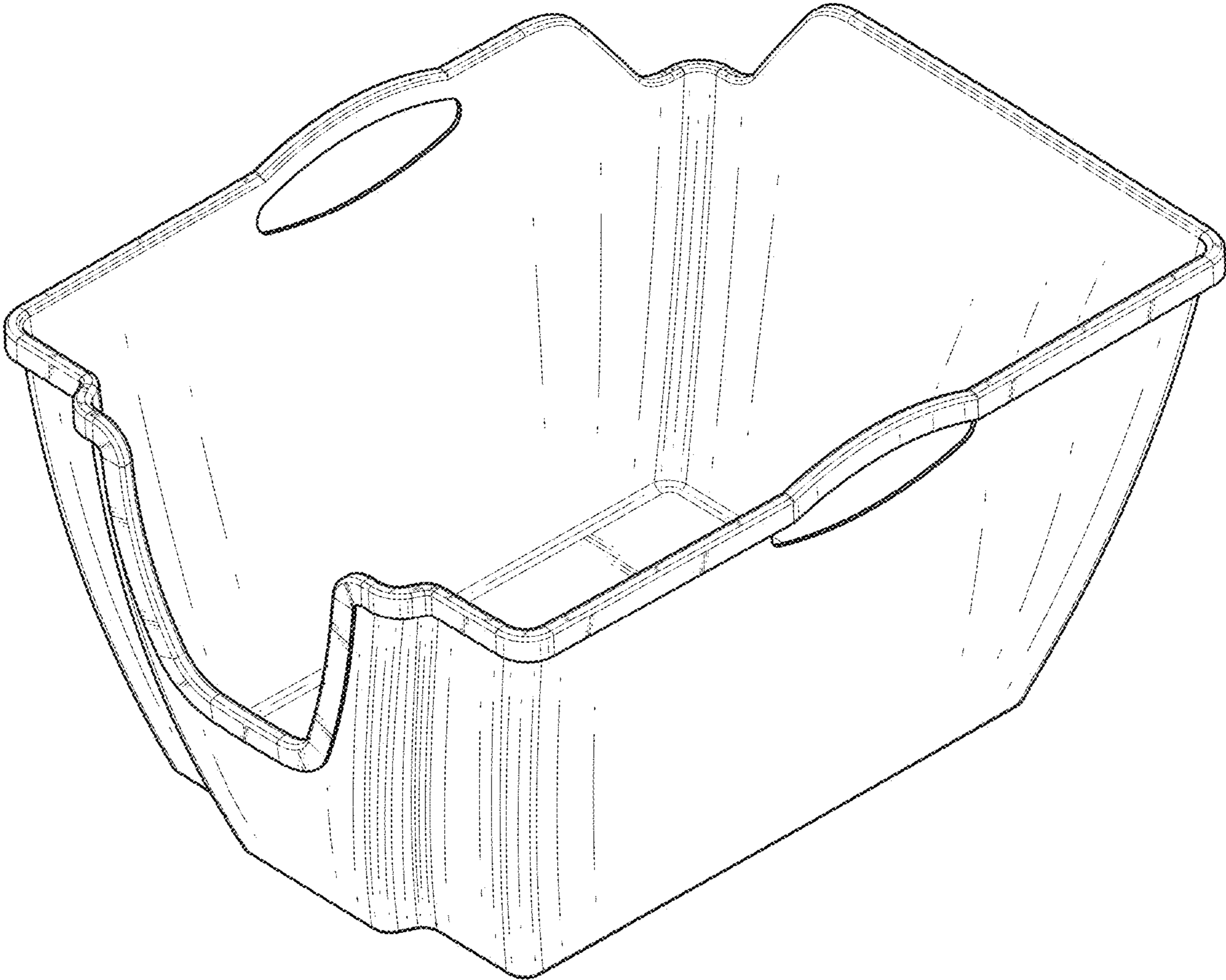


FIG. 1

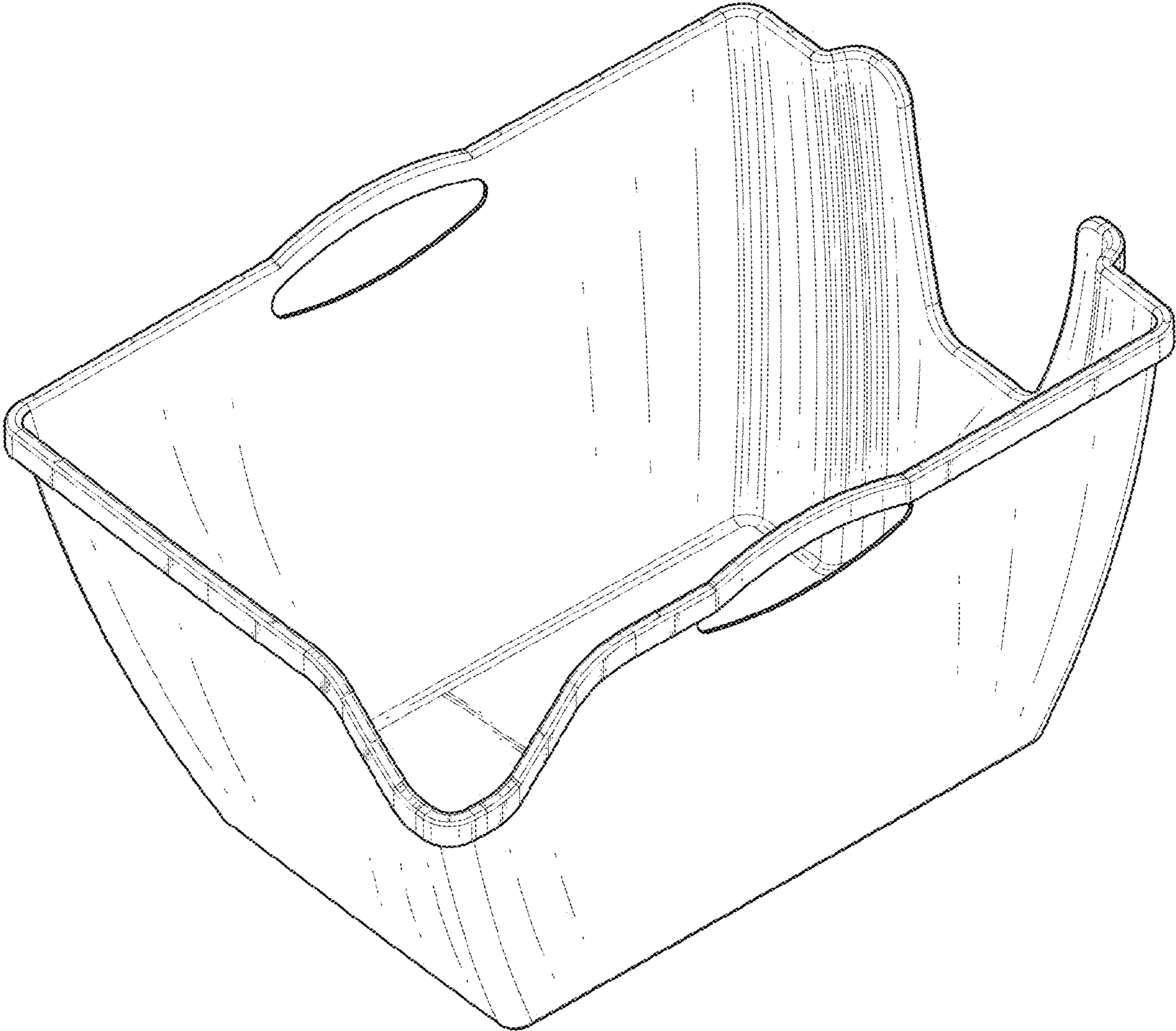


FIG. 2

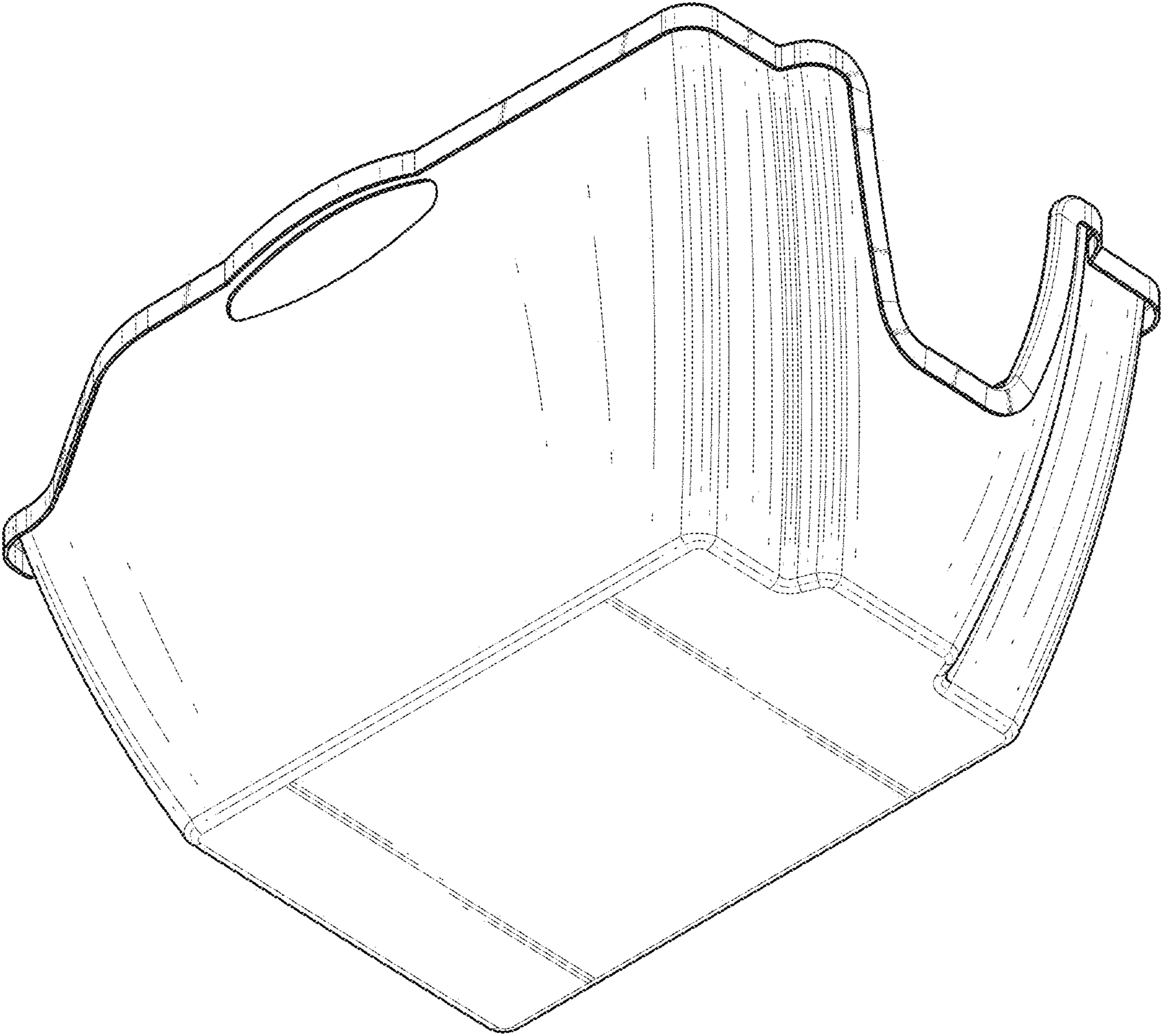


FIG. 3

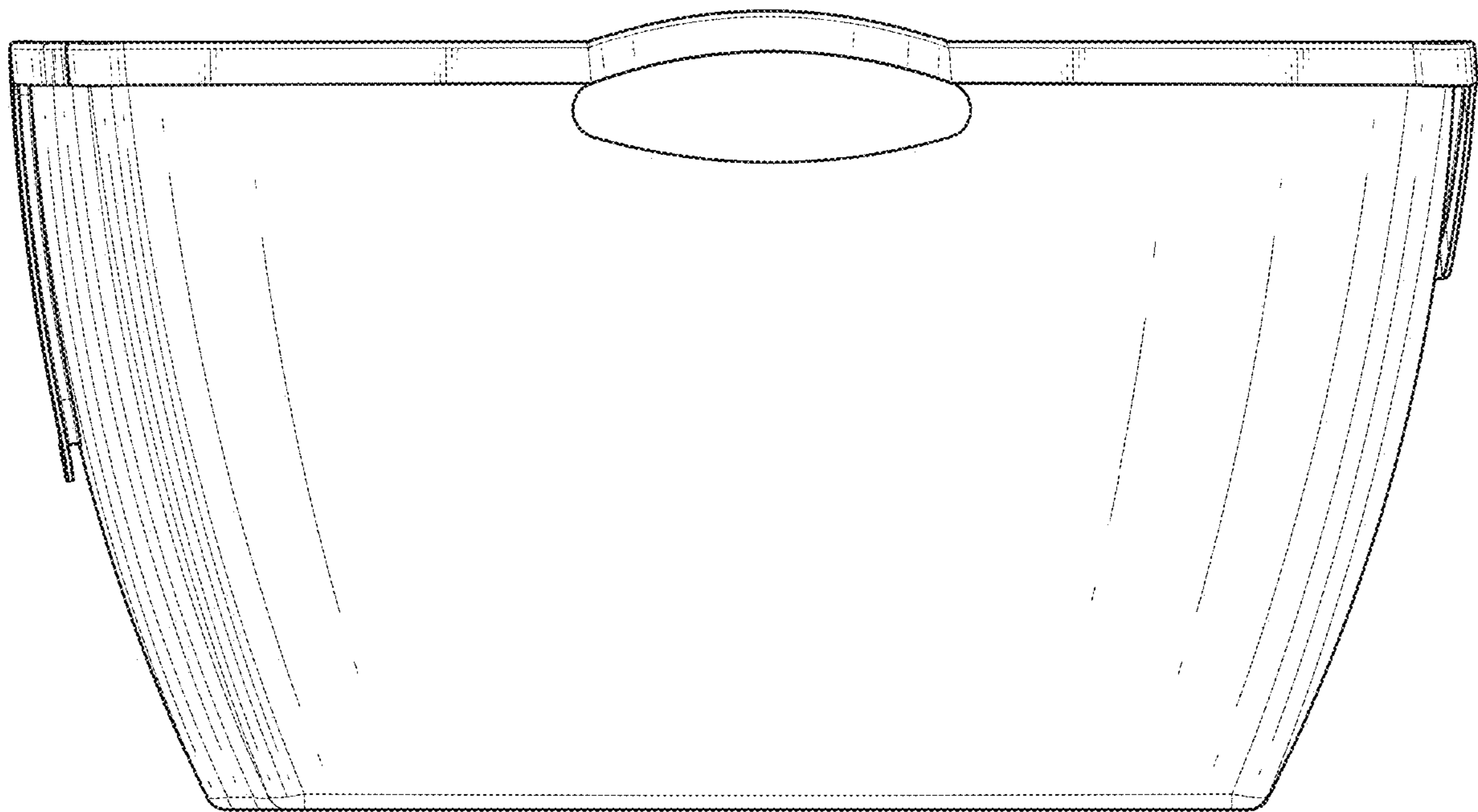


FIG. 4

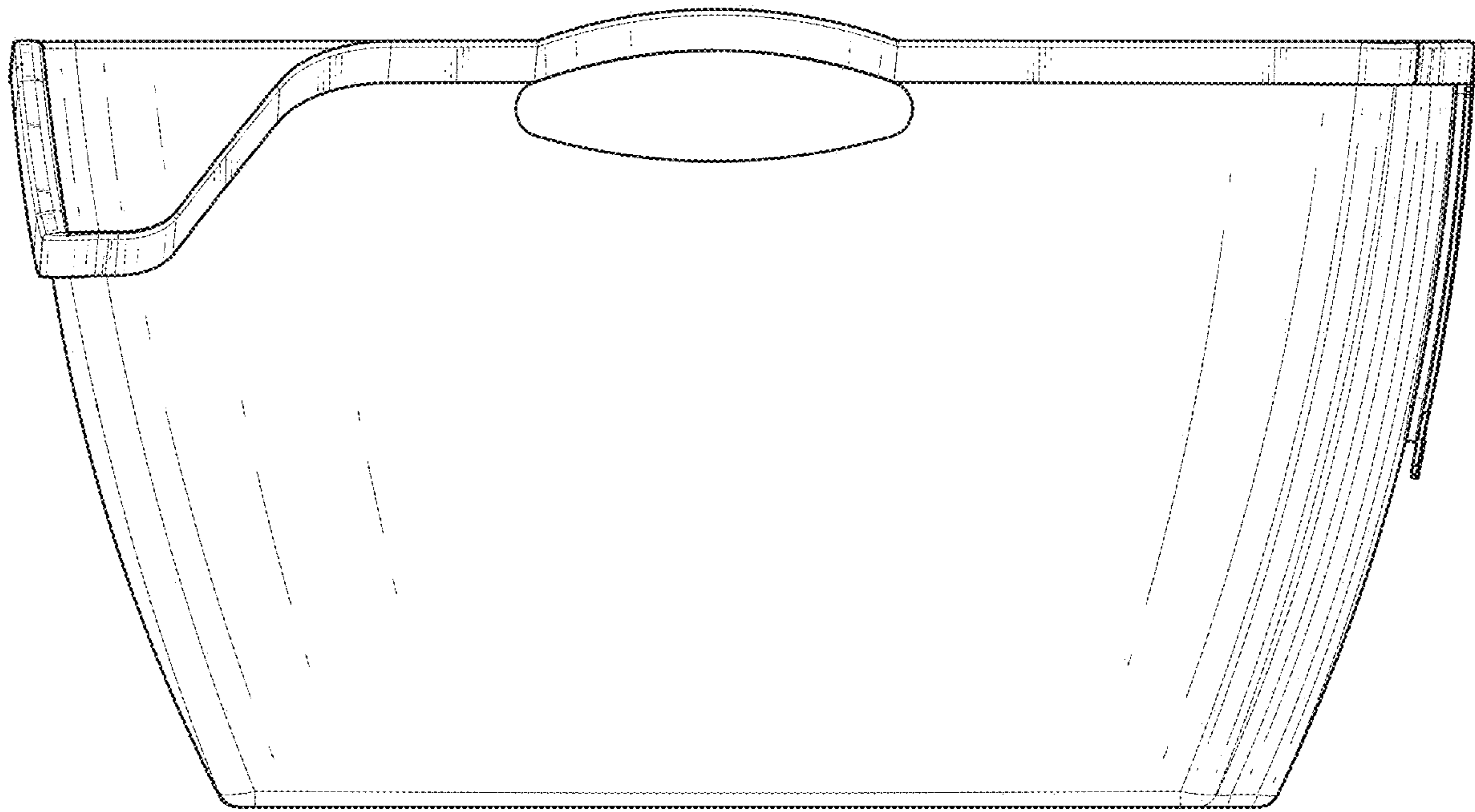


FIG. 5

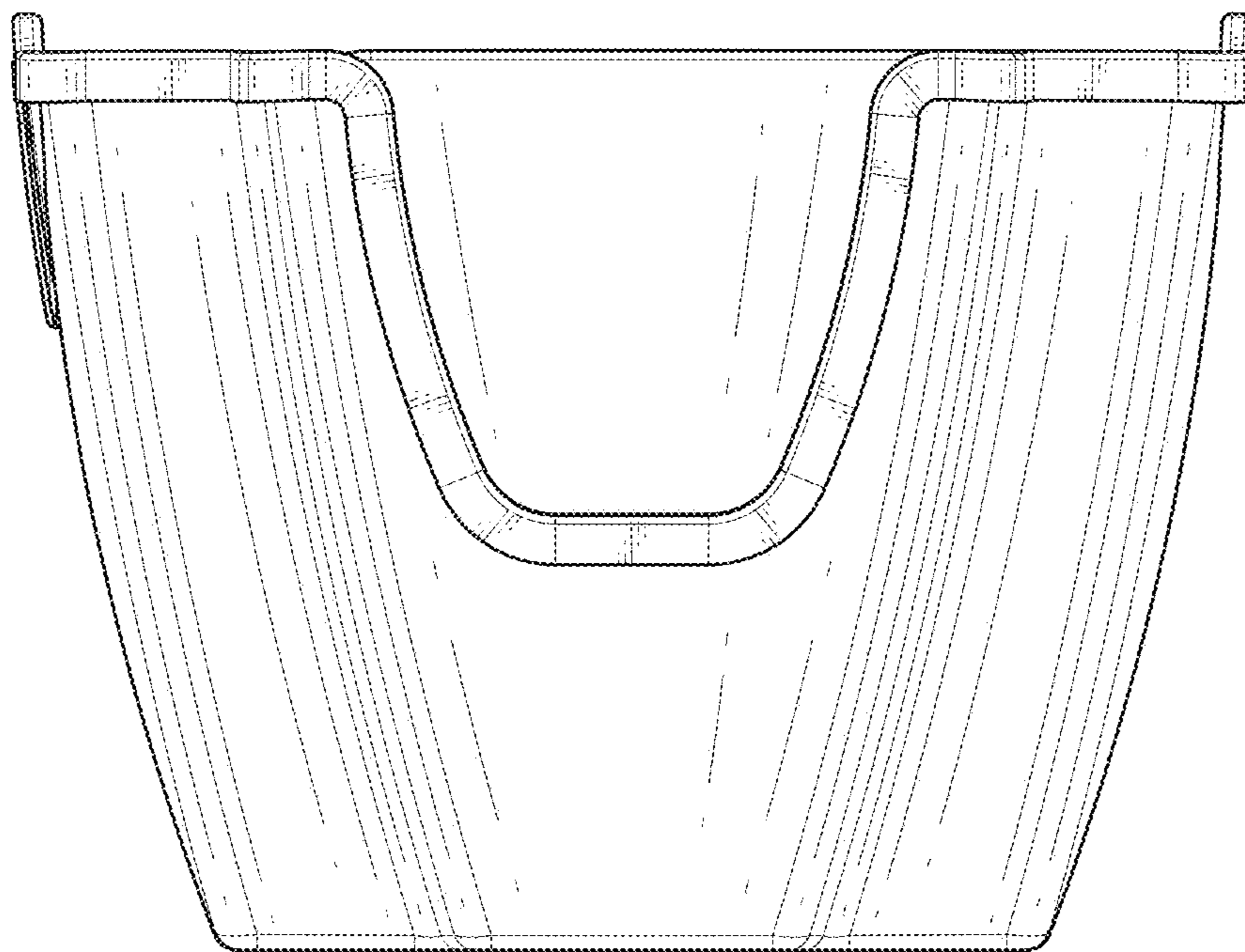


FIG. 6

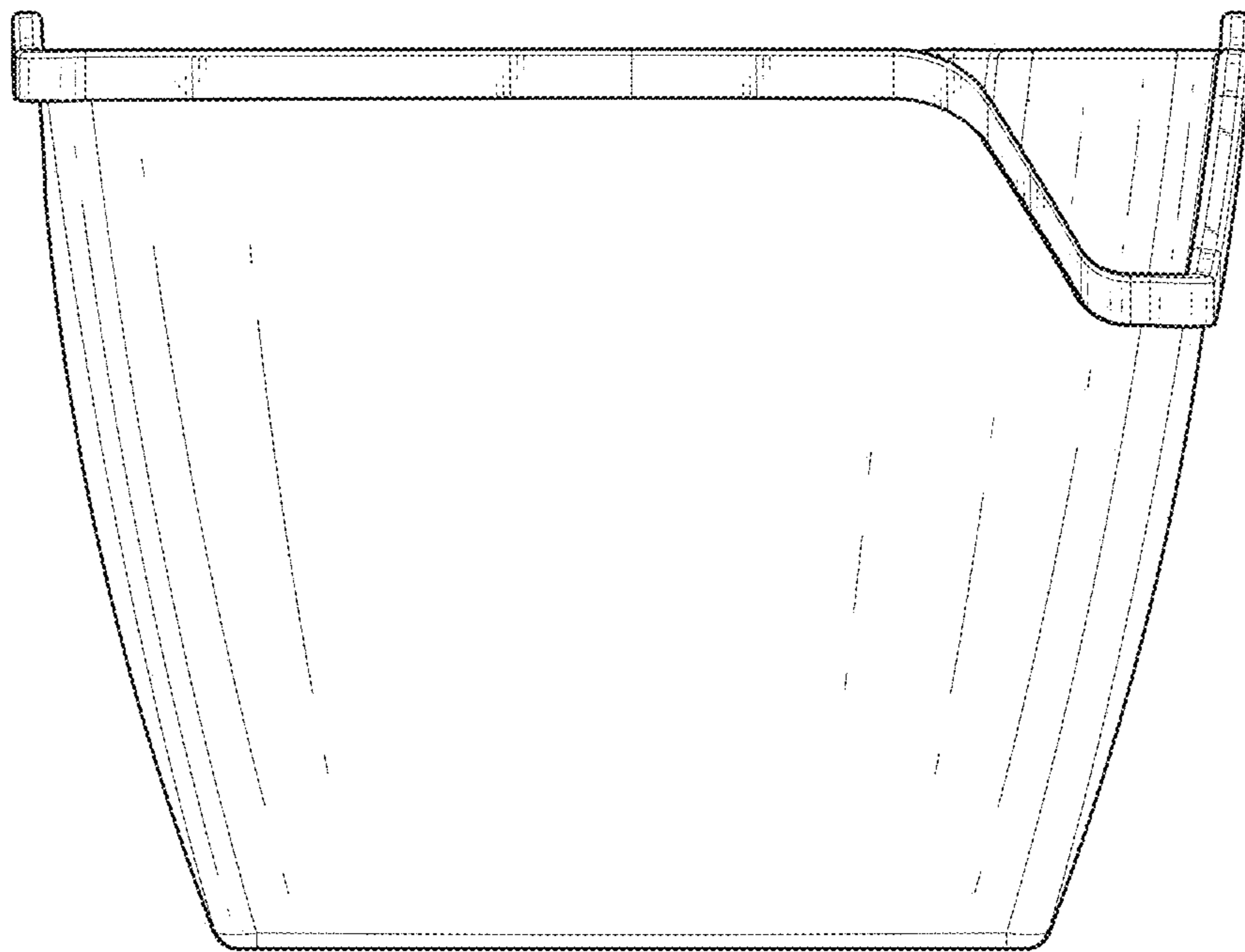


FIG. 7

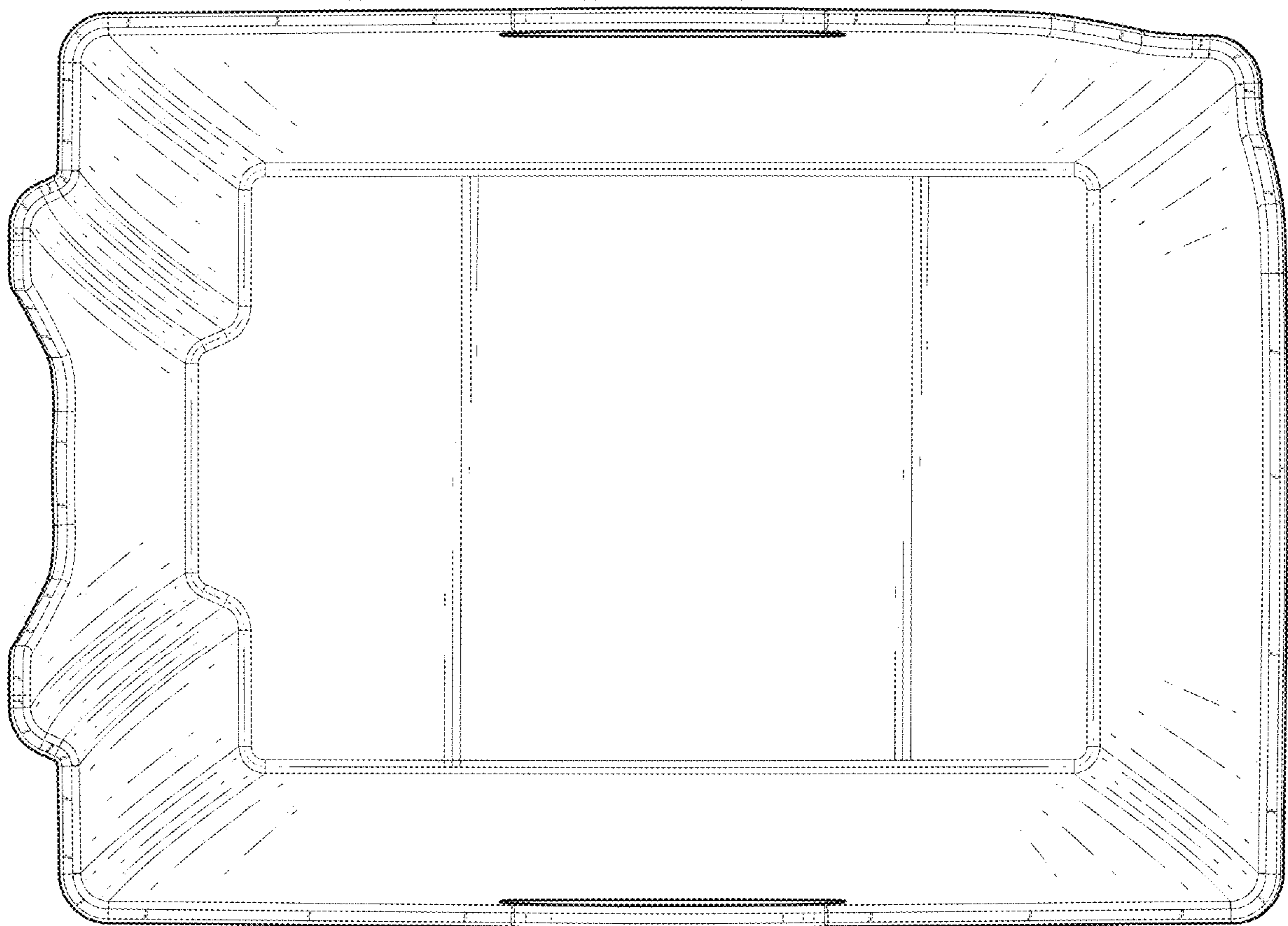


FIG. 8

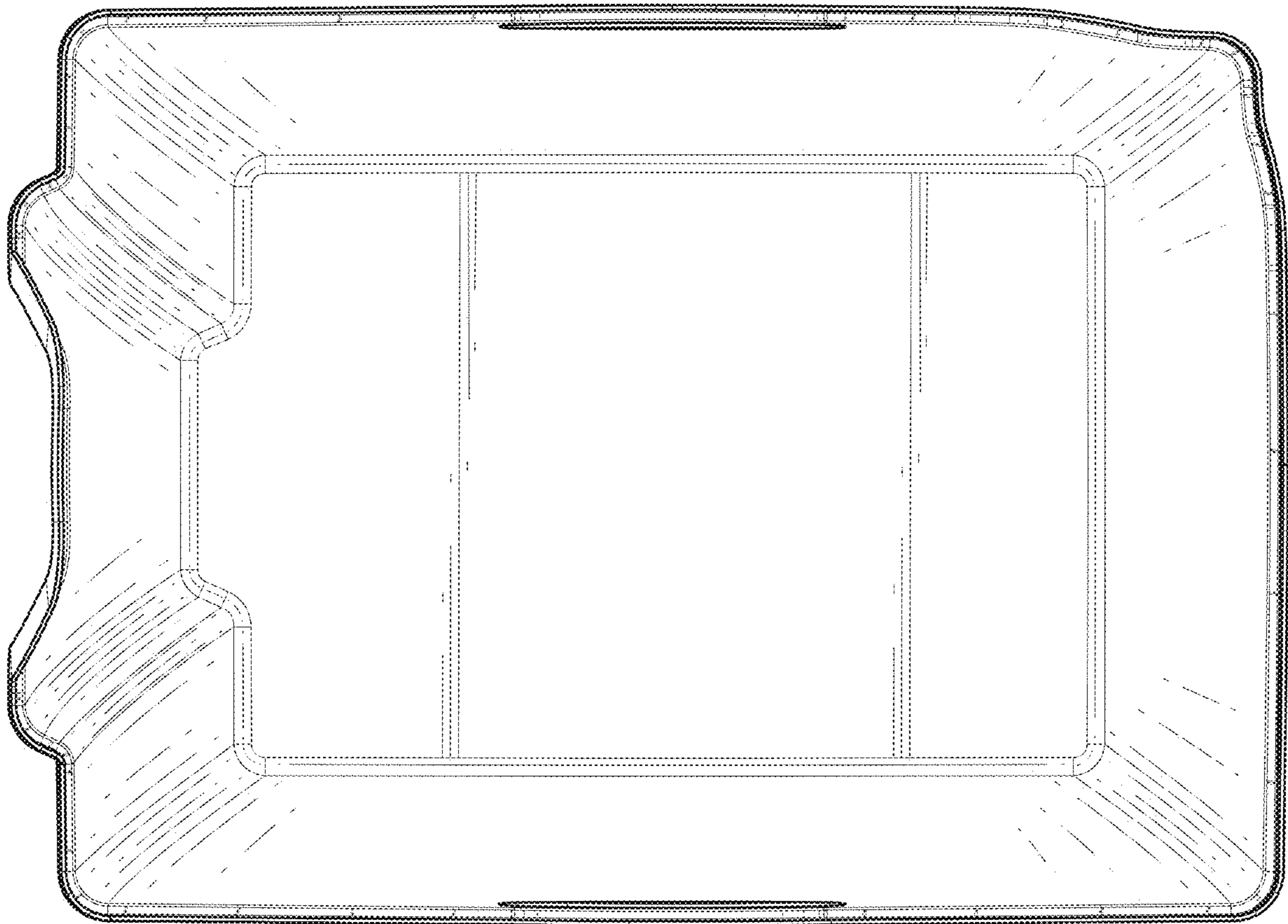


FIG. 9