



US00D963963S

(12) **United States Design Patent** (10) **Patent No.:** **US D963,963 S**
Lin (45) **Date of Patent:** **** Sep. 13, 2022**

(54) **PET TOY**
(71) Applicant: **Putian Wansidandun Trading Co., Ltd., Putian (CN)**
(72) Inventor: **Hua Lin, Xianyou County (CN)**
(**) Term: **15 Years**
(21) Appl. No.: **29/837,534**
(22) Filed: **May 6, 2022**
(51) **LOC (13) Cl.** **30-99**
(52) **U.S. Cl.**
USPC **D30/160**
(58) **Field of Classification Search**
USPC D30/160, 158; D21/386, 398;
D24/193-195; D1/125-127; D4/104,
D4/124, 127
CPC .. A01K 15/025; A01K 15/026; A01K 13/001;
A46B 11/065; A46B 2200/1086; A46B
2200/1066
See application file for complete search history.

(56) **References Cited**
U.S. PATENT DOCUMENTS
7,490,579 B2 * 2/2009 Axelrod A01K 15/026
119/710
D745,283 S * 12/2015 Phillips D4/107
9,364,305 B2 * 6/2016 Lynch A61D 5/00
9,744,014 B2 * 8/2017 Smith A61D 5/00
D852,438 S * 6/2019 Liu D30/158
D862,806 S * 10/2019 Liu D30/158

D901,104 S * 11/2020 Dertsakyan D30/160
D901,790 S * 11/2020 He D30/158
D905,355 S * 12/2020 Wang D30/160
D911,635 S * 2/2021 Dertsakyan D30/160
D917,800 S 4/2021 Yi
D922,005 S * 6/2021 He D30/160
D950,865 S * 5/2022 Soto D30/160
D953,659 S * 5/2022 Aurariu D30/158
2006/0150919 A1 * 7/2006 Thomason A01K 15/026
119/710
2018/0295811 A1 * 10/2018 Dertsakyan A46B 1/00
2019/0274279 A1 * 9/2019 Hayashi A01K 5/00
2021/0022319 A1 * 1/2021 Dertsakyan A46B 9/026

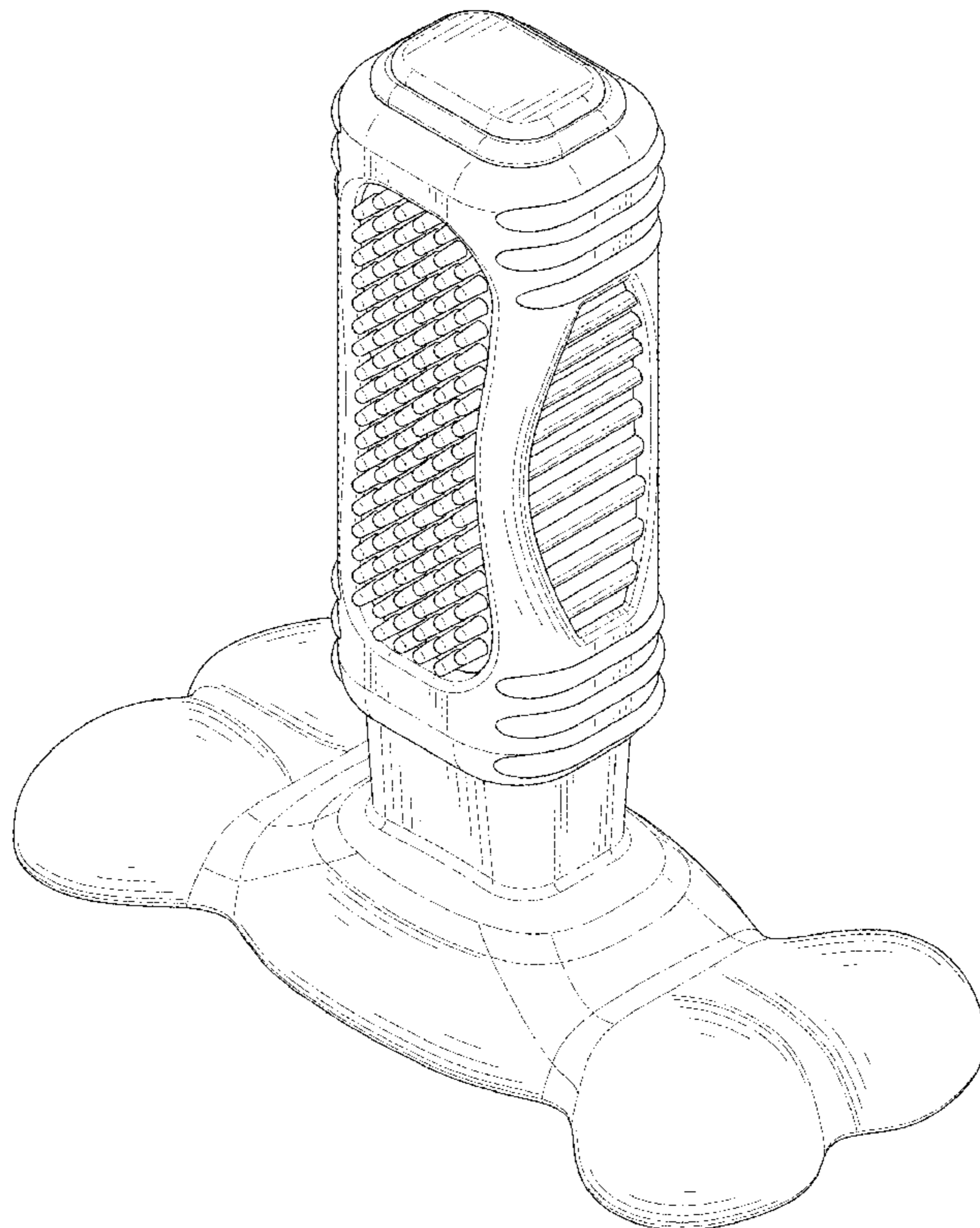
* cited by examiner

Primary Examiner — Sheryl Lane
Assistant Examiner — Aula Soroush

(57) **CLAIM**
The ornamental design for a pet toy, as shown and described.

DESCRIPTION
FIG. 1 is a front and top perspective view of a pet toy, showing my, new design;
FIG. 2 is a rear and bottom perspective view thereof;
FIG. 3 is a front elevation view thereof;
FIG. 4 is a rear elevation view thereof;
FIG. 5 is a left side elevation view thereof;
FIG. 6 is a right side elevation view thereof;
FIG. 7 is a top plan view thereof; and,
FIG. 8 is a bottom plan view thereof.
The broken lines in the figures illustrate portions of the pet toy that form no part of the claimed design.

1 Claim, 8 Drawing Sheets



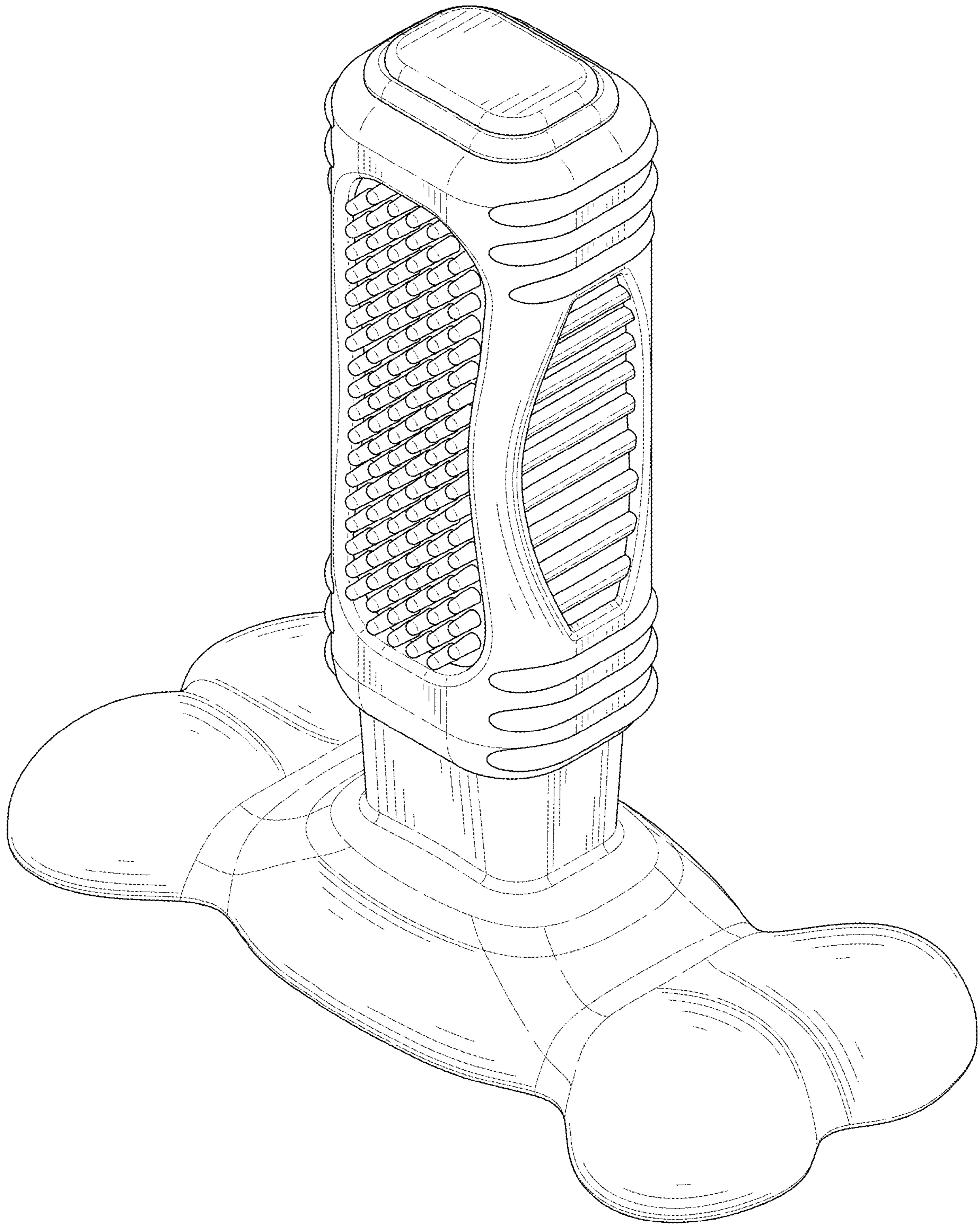


FIG. 1

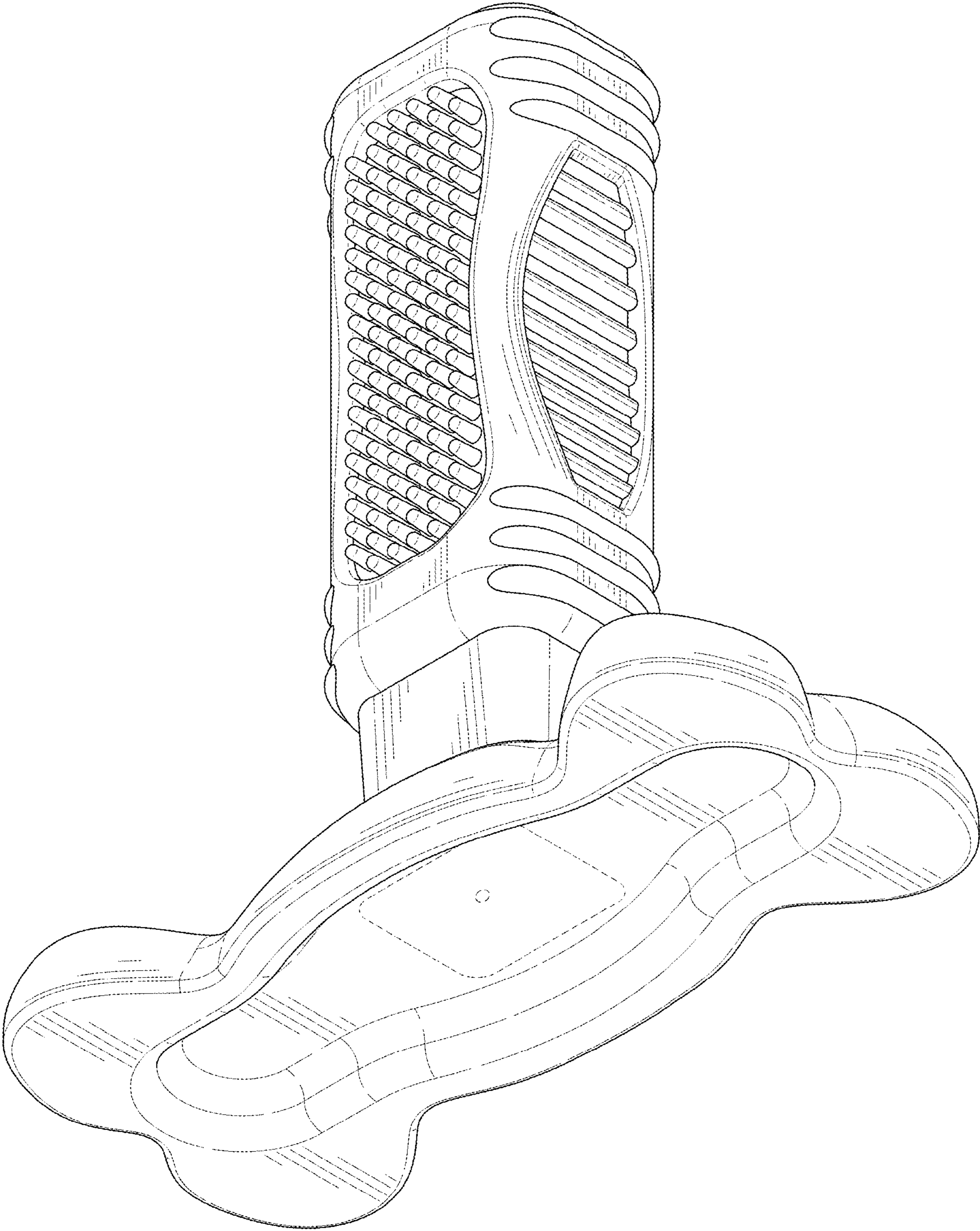


FIG. 2

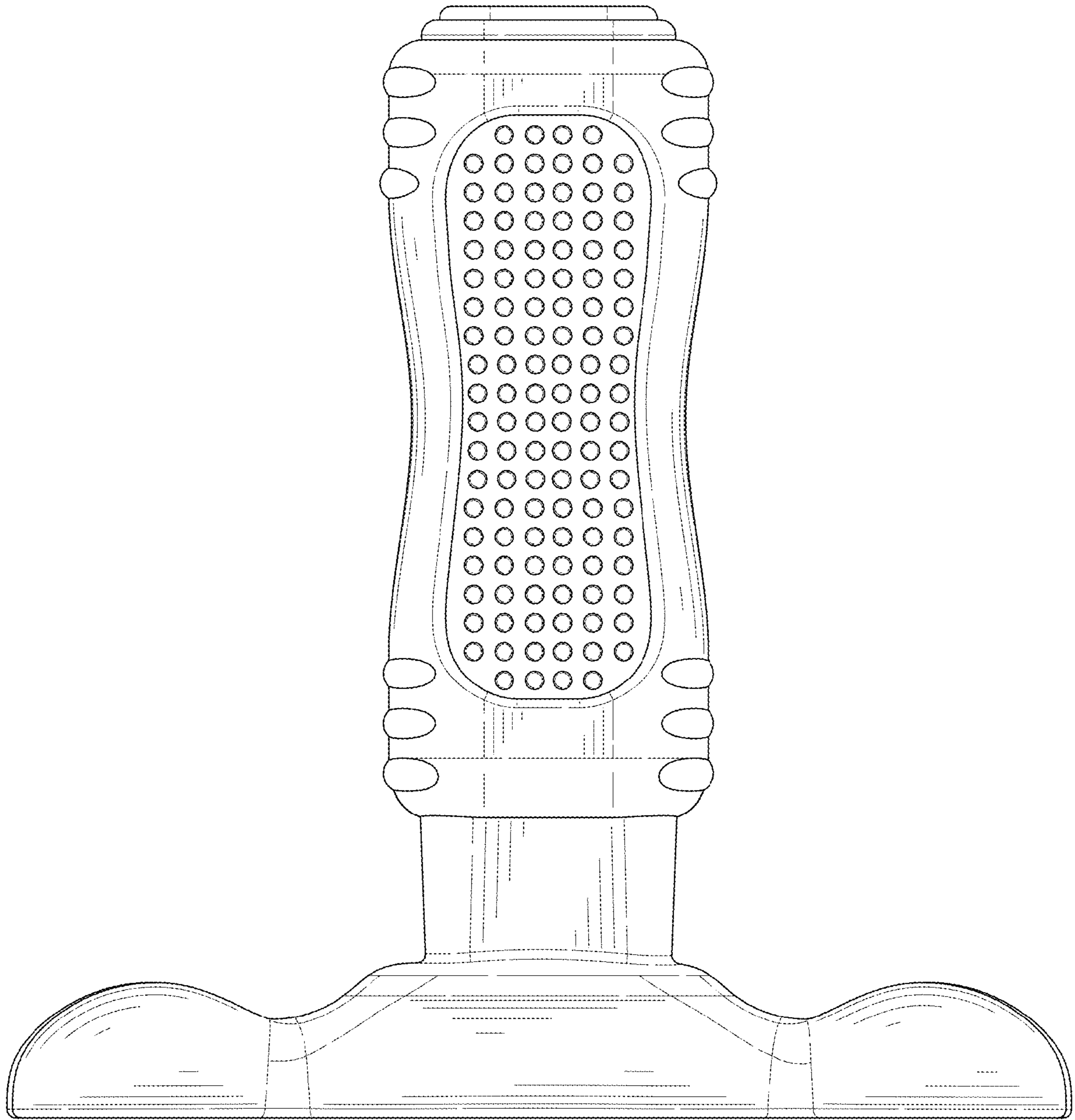


FIG. 3

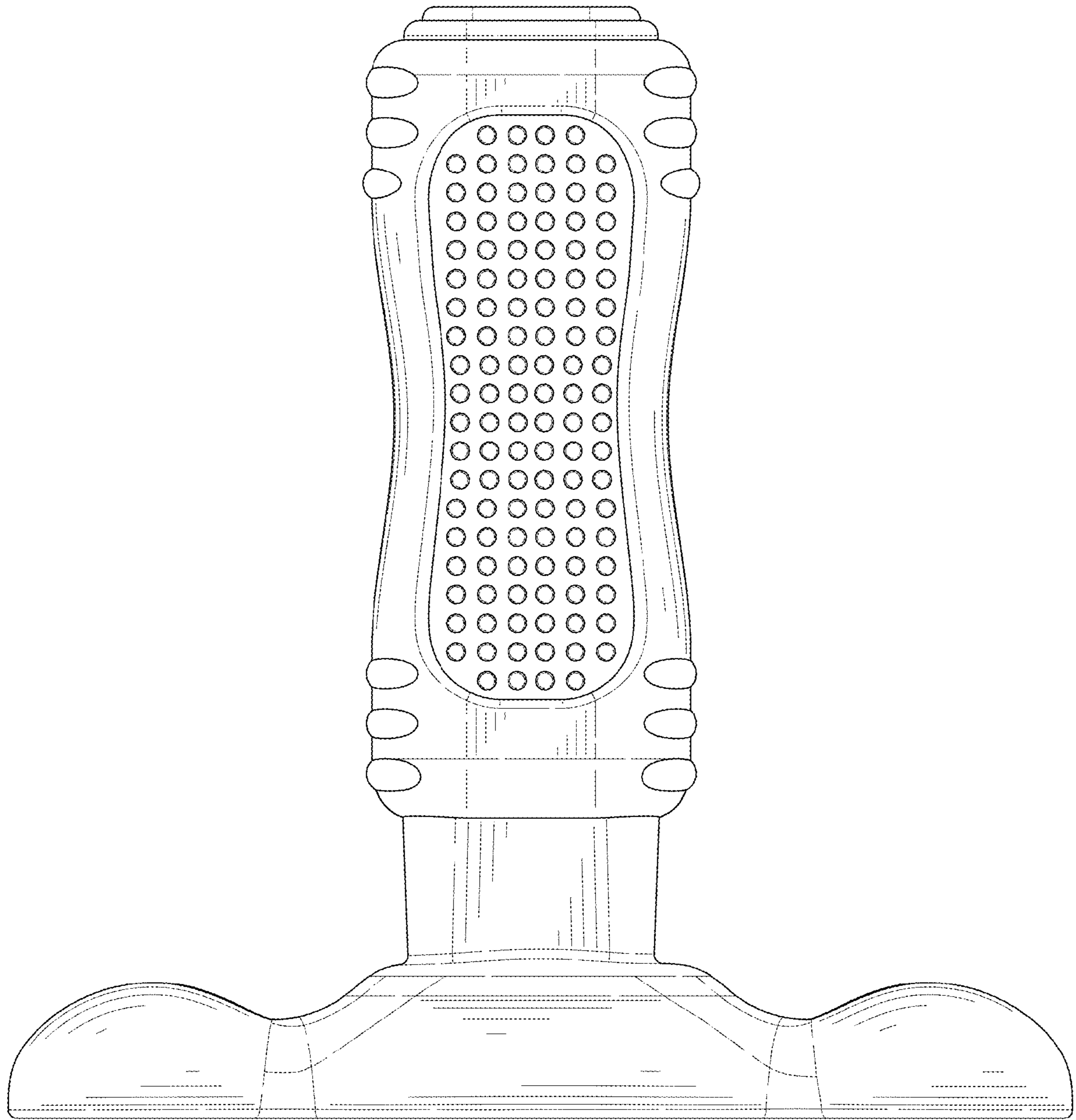


FIG. 4

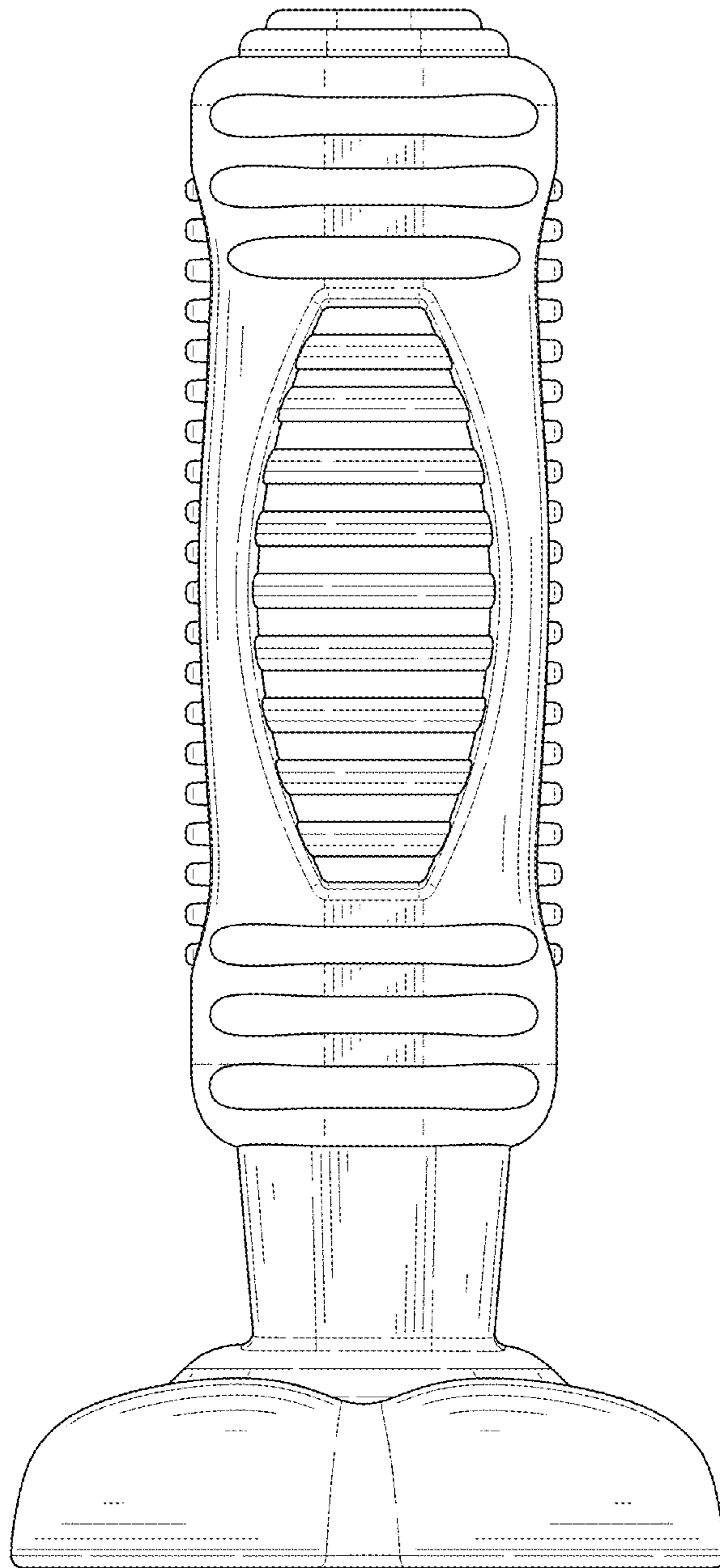


FIG. 5

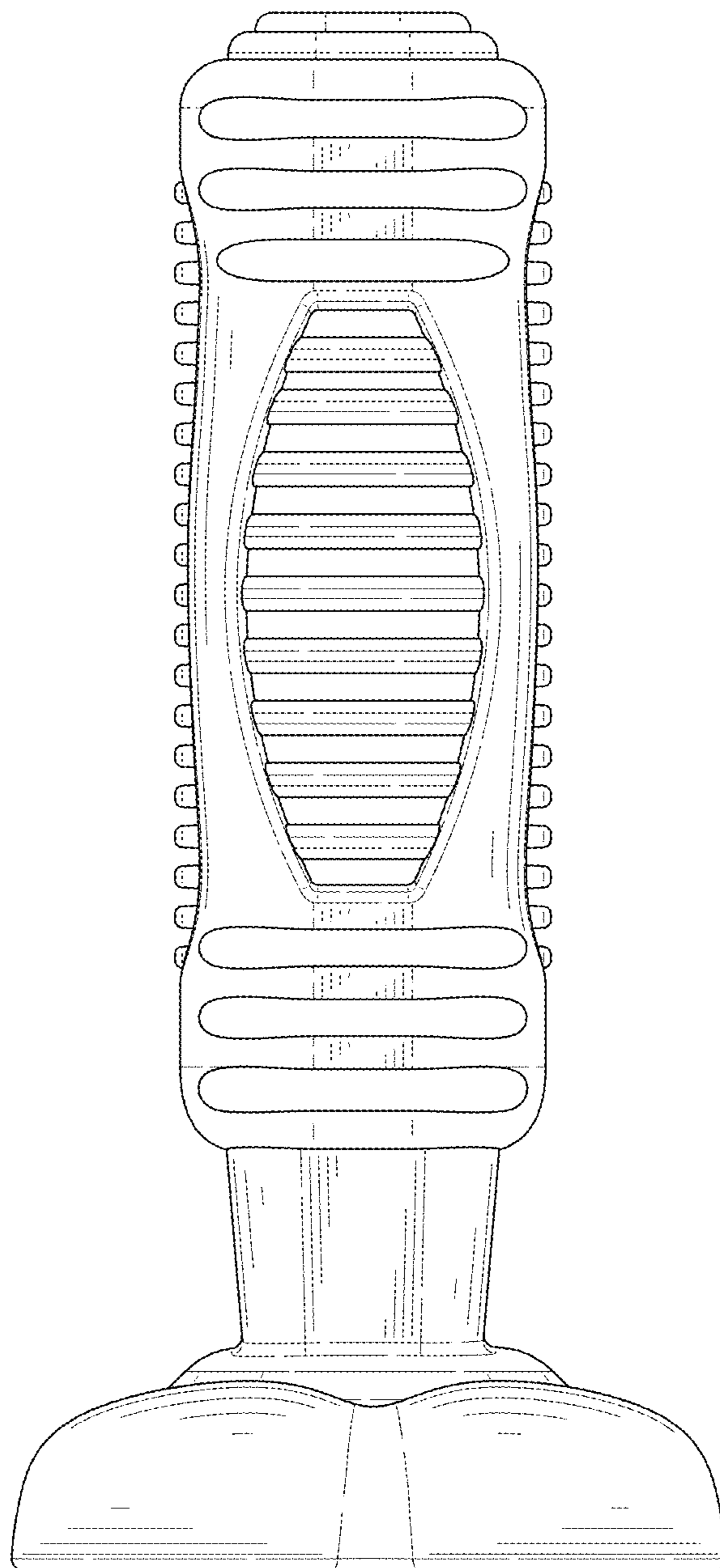


FIG. 6

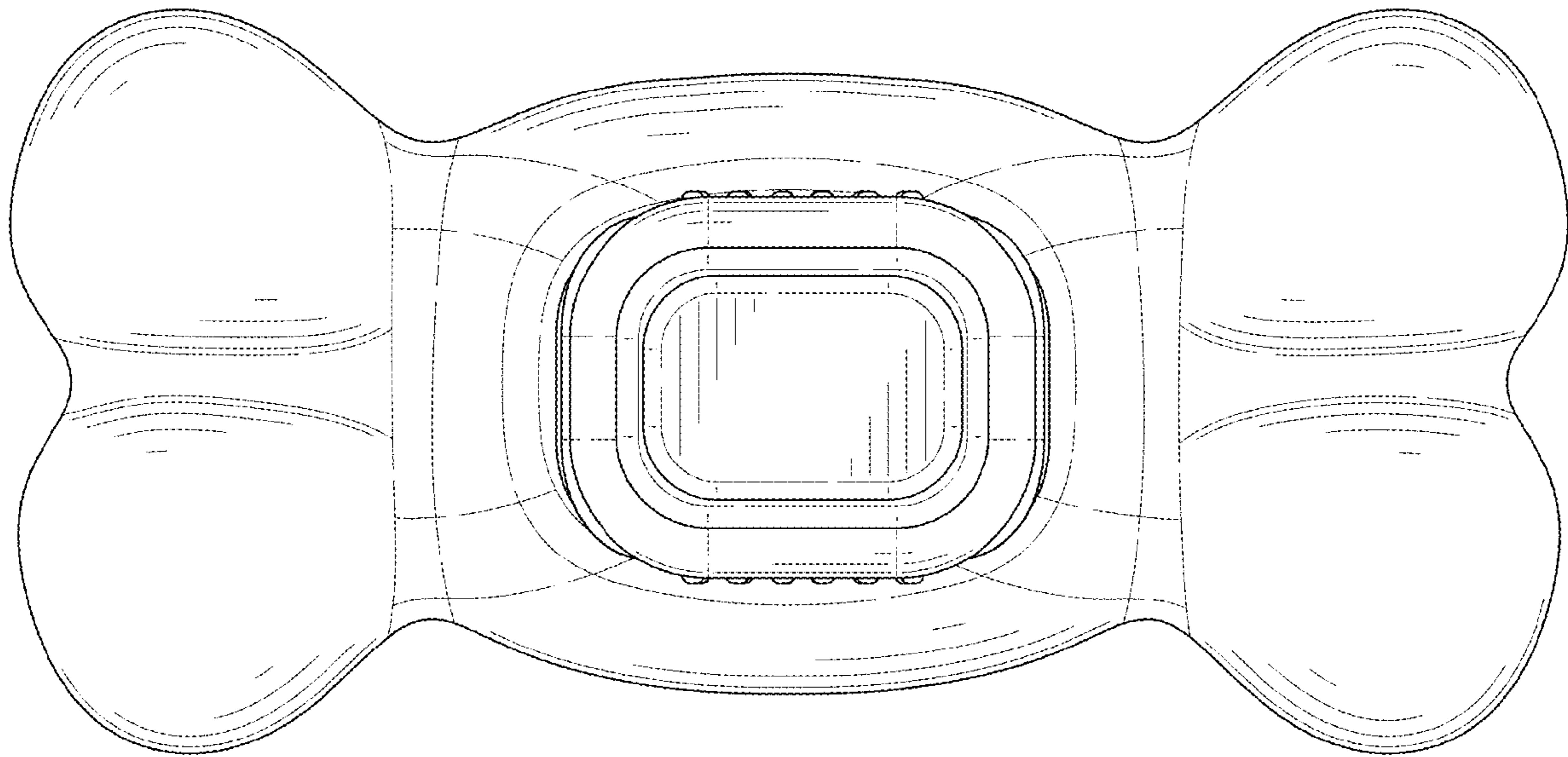


FIG. 7

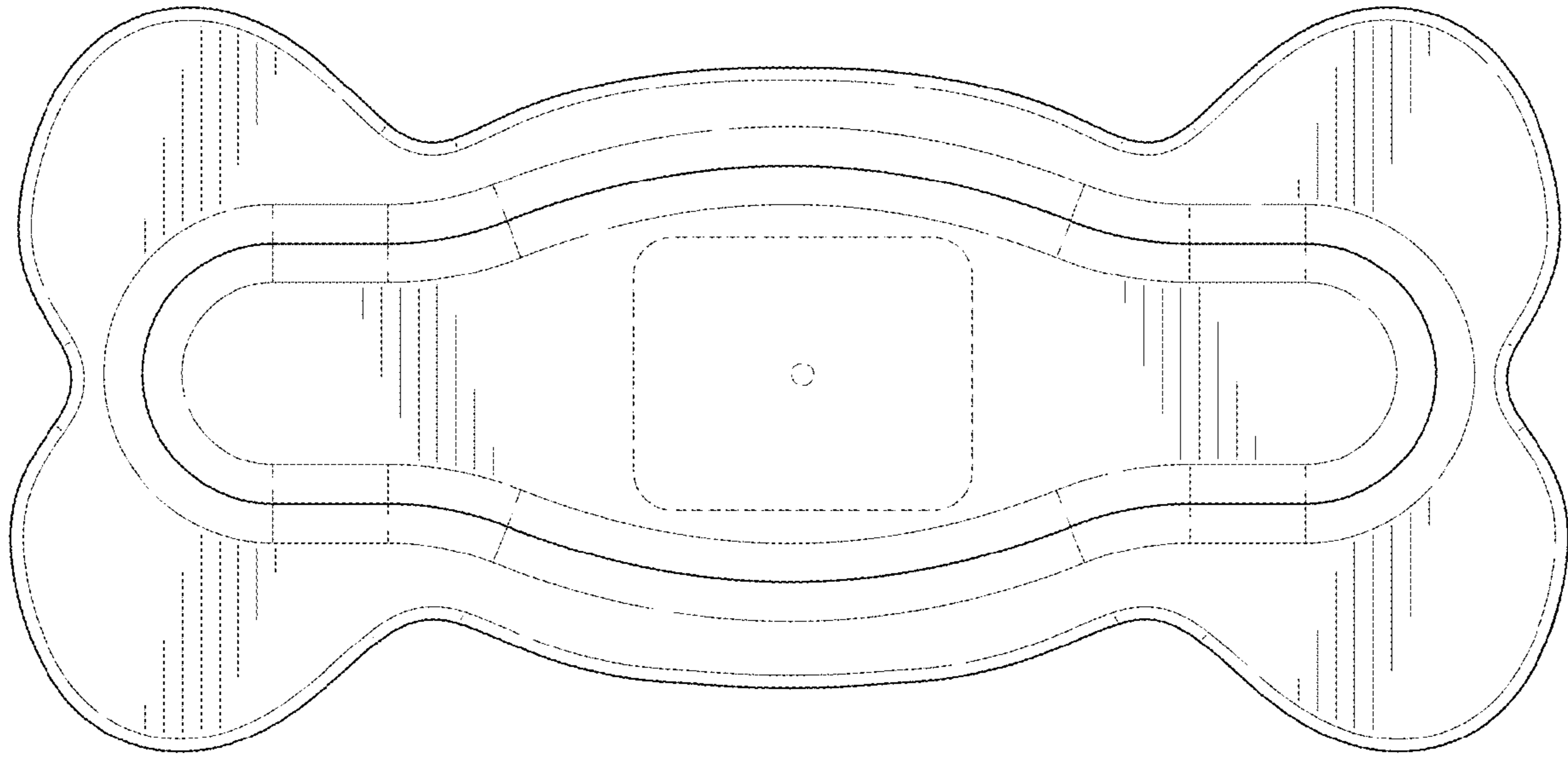


FIG. 8