



US00D963962S

(12) **United States Design Patent** (10) **Patent No.:** **US D963,962 S**
Cai (45) **Date of Patent:** **** Sep. 13, 2022**

(54) **PET LEARNING BUTTON TOY**

(71) Applicant: **Shuchen Cai**, Guangdong (CN)

(72) Inventor: **Shuchen Cai**, Guangdong (CN)

(**) Term: **15 Years**

(21) Appl. No.: **29/834,013**

(22) Filed: **Apr. 8, 2022**

(51) **LOC (13) Cl.** **30-99**

(52) **U.S. Cl.**
USPC **D30/160; D21/480**

(58) **Field of Classification Search**
USPC D21/478-480; D30/160
CPC A01K 15/025; A01K 15/026; A63F 9/10
See application file for complete search history.

(56) **References Cited**

U.S. PATENT DOCUMENTS

D473,785 S *	4/2003	Ahmed	D9/600
D489,162 S *	5/2004	Dings-Plooij	D21/478
D491,234 S *	6/2004	Rom	D21/478
D501,231 S *	1/2005	Rom	D21/478
D532,832 S *	11/2006	Van Ness	D21/386
D536,390 S *	2/2007	Van Ness	D21/386
D640,383 S *	6/2011	Roehrig	D24/194
D657,504 S	4/2012	So et al.		
D676,203 S *	2/2013	Hansen	D30/121
D695,991 S *	12/2013	Planet	D1/127
D697,676 S *	1/2014	Hansen	D30/121
D727,322 S *	4/2015	Georgiou	D21/333
D737,905 S *	9/2015	Klemm	D21/480
D802,680 S *	11/2017	Moscatelli	D21/478
D807,610 S *	1/2018	Gross	D1/115
D810,365 S *	2/2018	Wilson	D30/160
D838,314 S *	1/2019	Agarwal	D21/398
D899,717 S	10/2020	Van Curen et al.		
D929,672 S *	8/2021	Hoover	D30/160
D951,559 S *	5/2022	Huang	D30/158

(Continued)

OTHER PUBLICATIONS

How do you teach a dog how to talk?, posted at amazon.com, earliest date available Jul. 2, 2020, [online], acquired on Jul. 16, 2022, Available on internet. url:https://www.today.com/pets/how-teach-dog-talk-buttons-according-one-owner-t185757 (Year: 2020).*

Primary Examiner — Sheryl Lane

Assistant Examiner — Aula Soroush

(74) *Attorney, Agent, or Firm* — ScienBiziP, P.C.

(57) **CLAIM**

The ornamental design for a pet learning button toy, as shown and described.

DESCRIPTION

FIG. 1 is a front, left and top perspective view of a pet learning button toy, showing my design.

FIG. 2 is a rear, right and bottom perspective view thereof.

FIG. 3 is a front elevation view thereof.

FIG. 4 is a rear elevation view thereof.

FIG. 5 is a left side elevation view thereof.

FIG. 6 is a right side elevation view thereof.

FIG. 7 is a top plan view thereof.

FIG. 8 is a bottom plan view thereof.

FIG. 9 is another front, left and top perspective view of the pet learning button toy in FIG. 1.

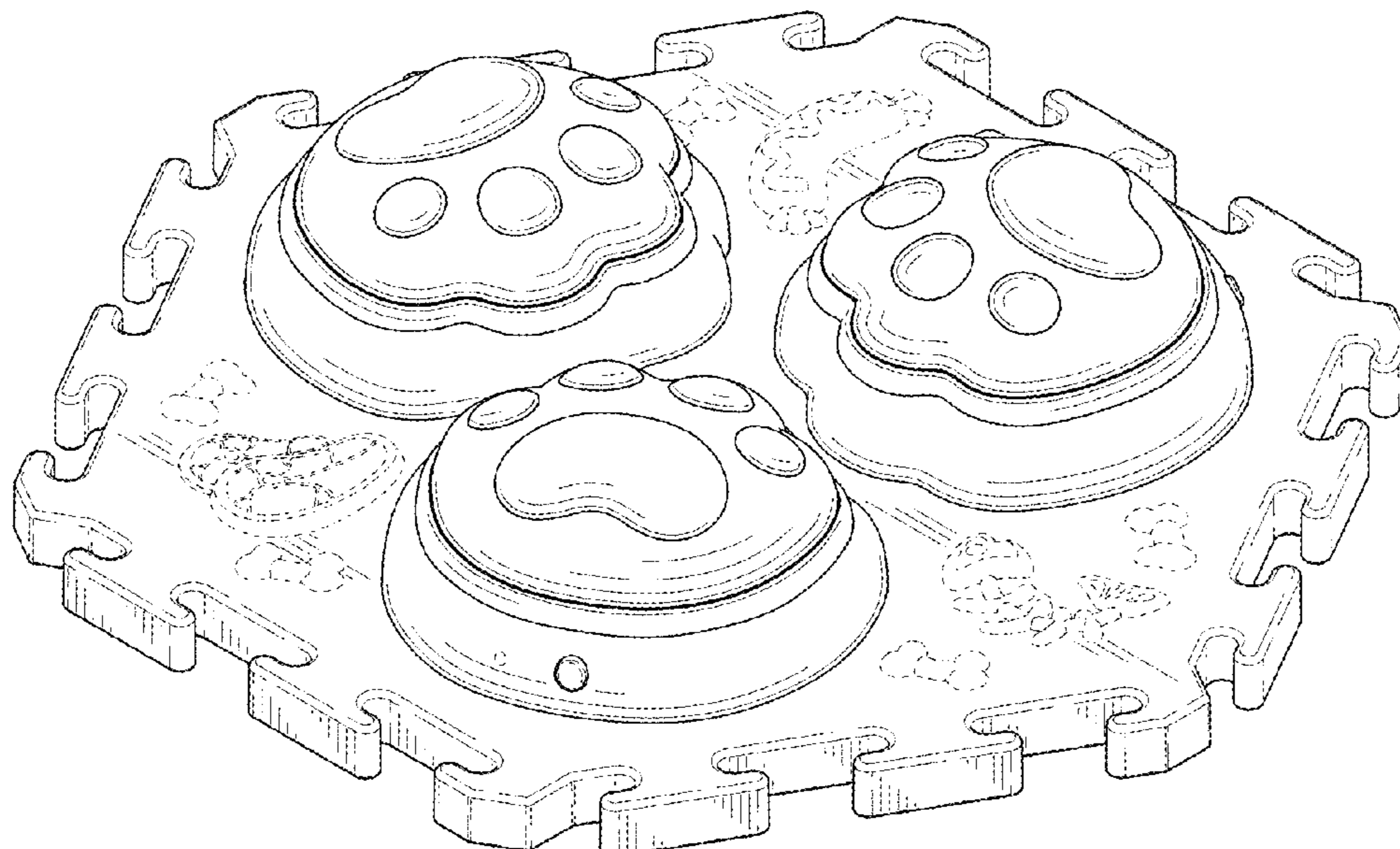
FIG. 10 is a partially exploded perspective view of the pet learning button toy in FIG. 1; and,

FIG. 11 is a partial enlarged view of an area labeled 11 in FIG. 2.

The broken lines shown in the drawings are included for the purpose of illustrating portions of the pet learning button toy that form no part of the claimed design.

Dot-dash broken lines framing portions of the claimed design that are illustrated for enlargements form no part of the claimed design.

1 Claim, 11 Drawing Sheets



(56)

References Cited

U.S. PATENT DOCUMENTS

D953,662 S * 5/2022 Soto D30/160
D954,850 S * 6/2022 Du D21/398

* cited by examiner

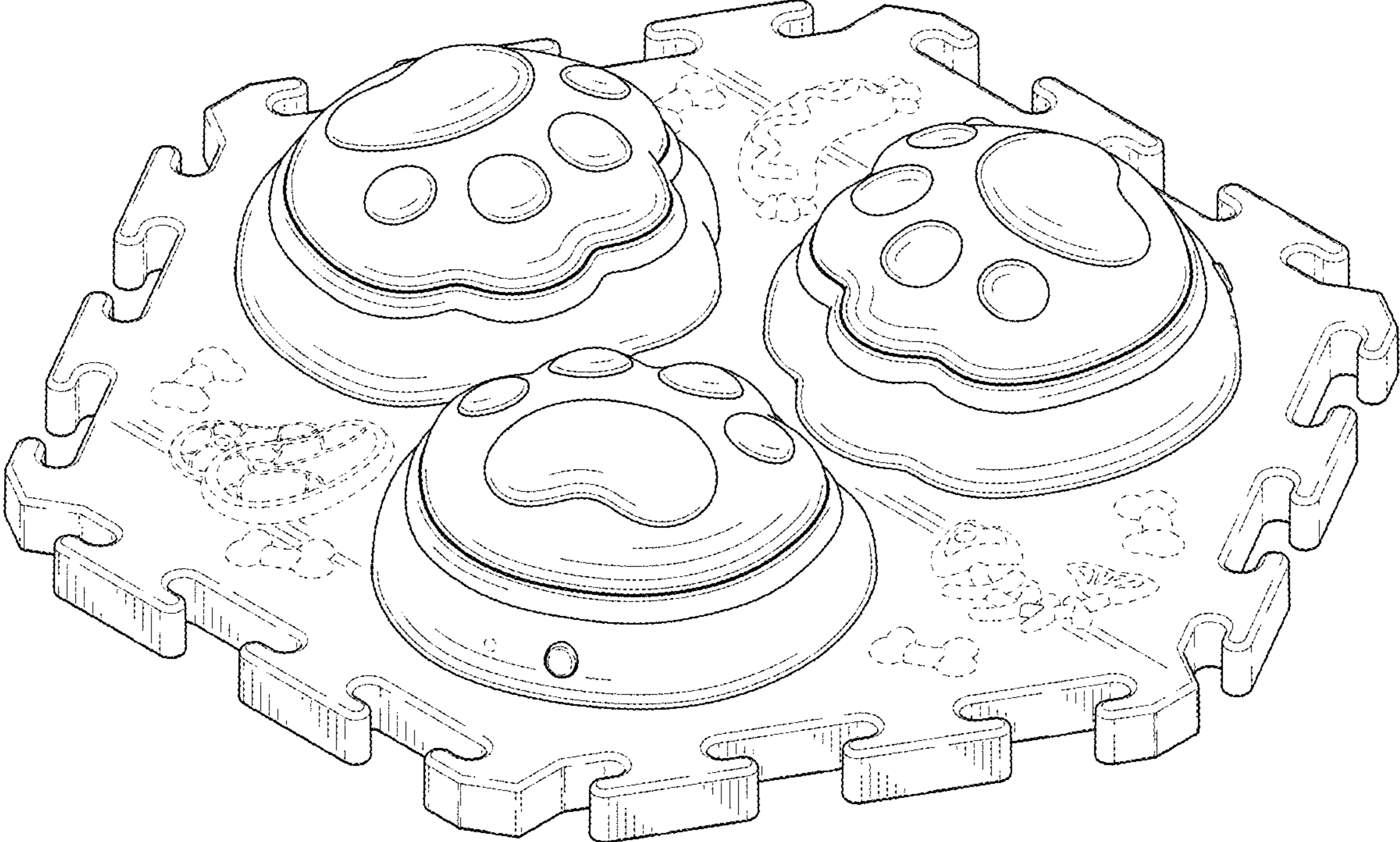


FIG. 1

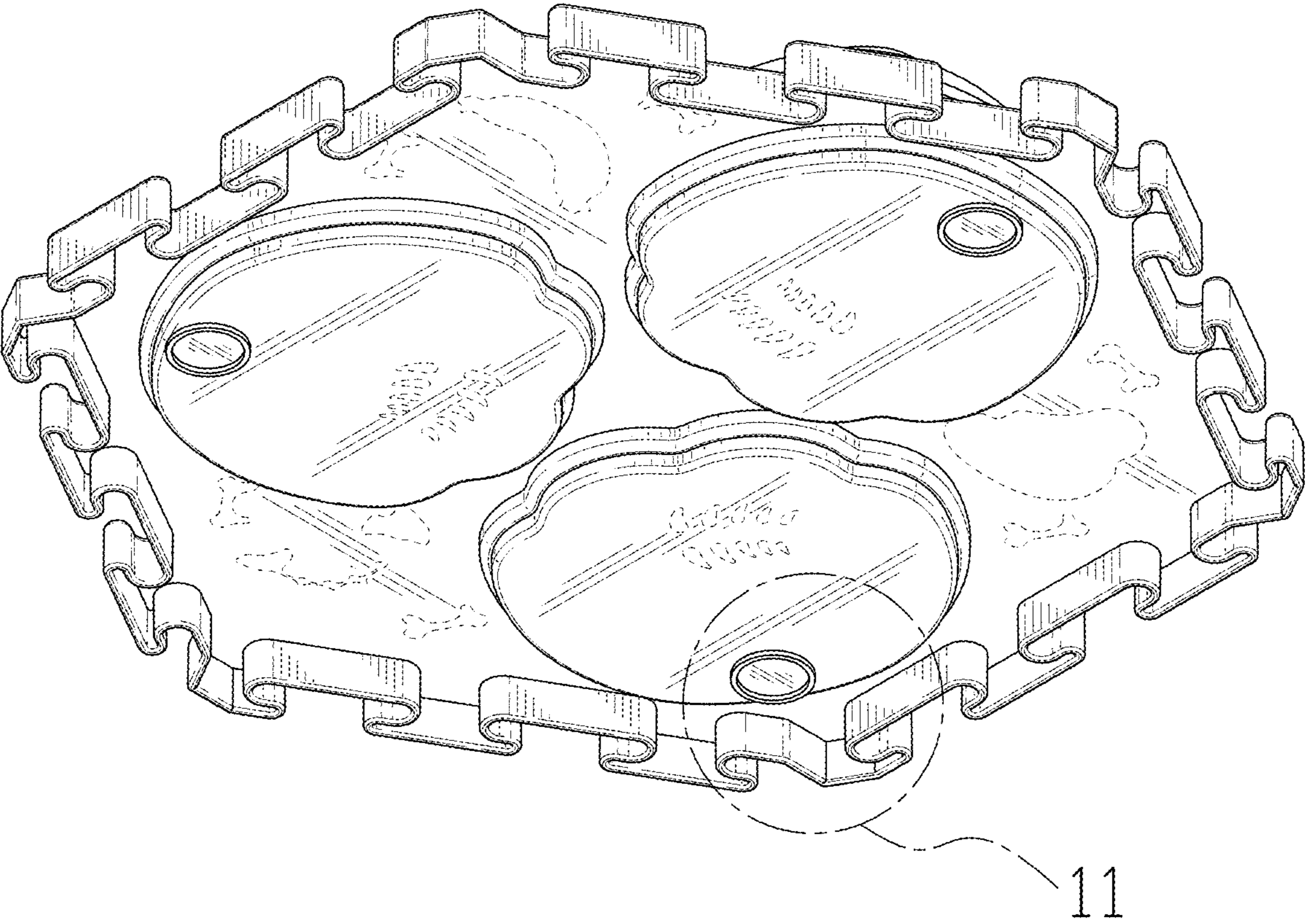


FIG. 2

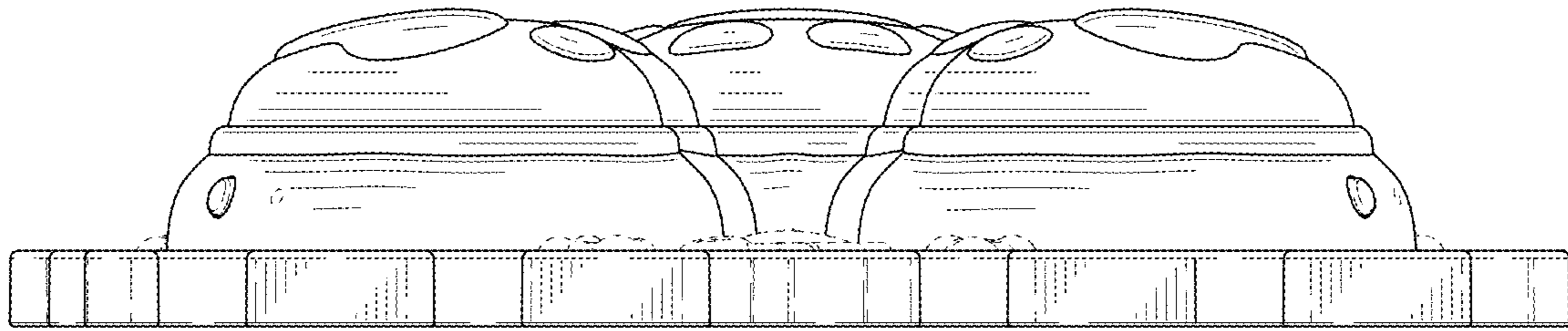


FIG. 3

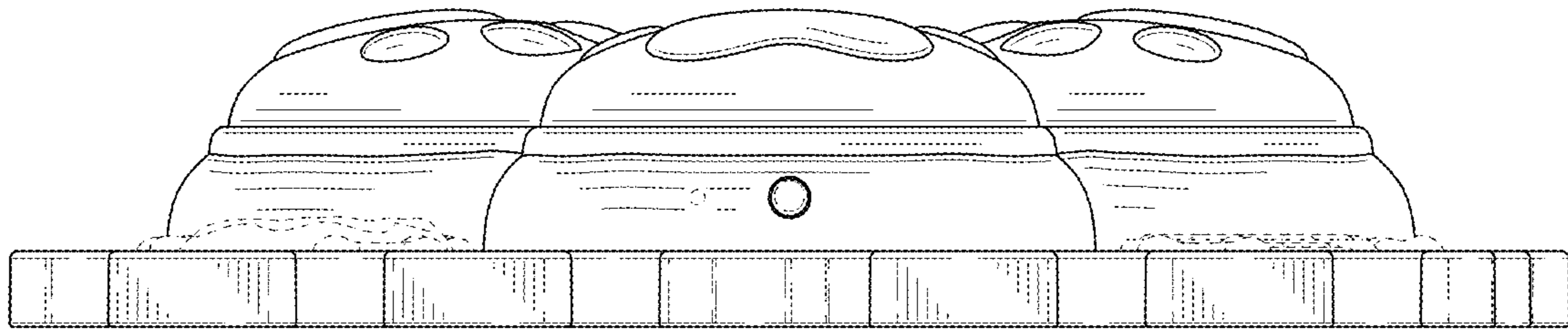


FIG. 4

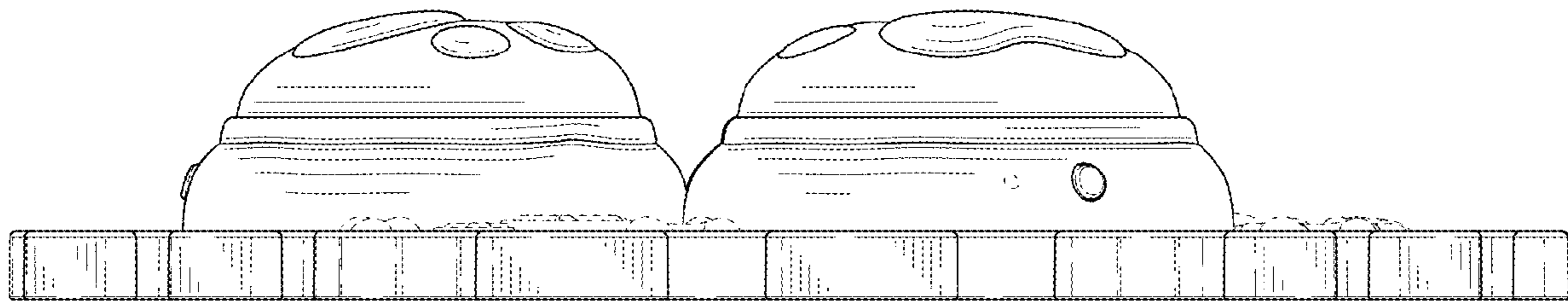


FIG. 5

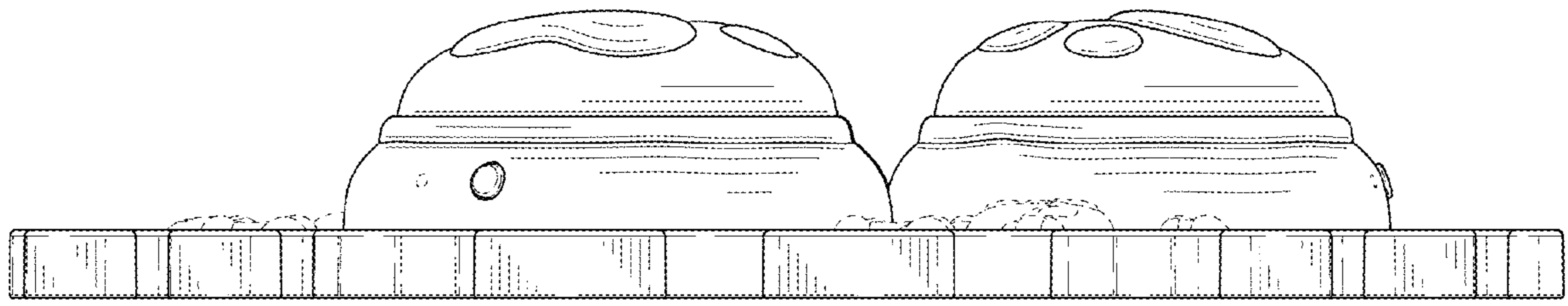


FIG. 6

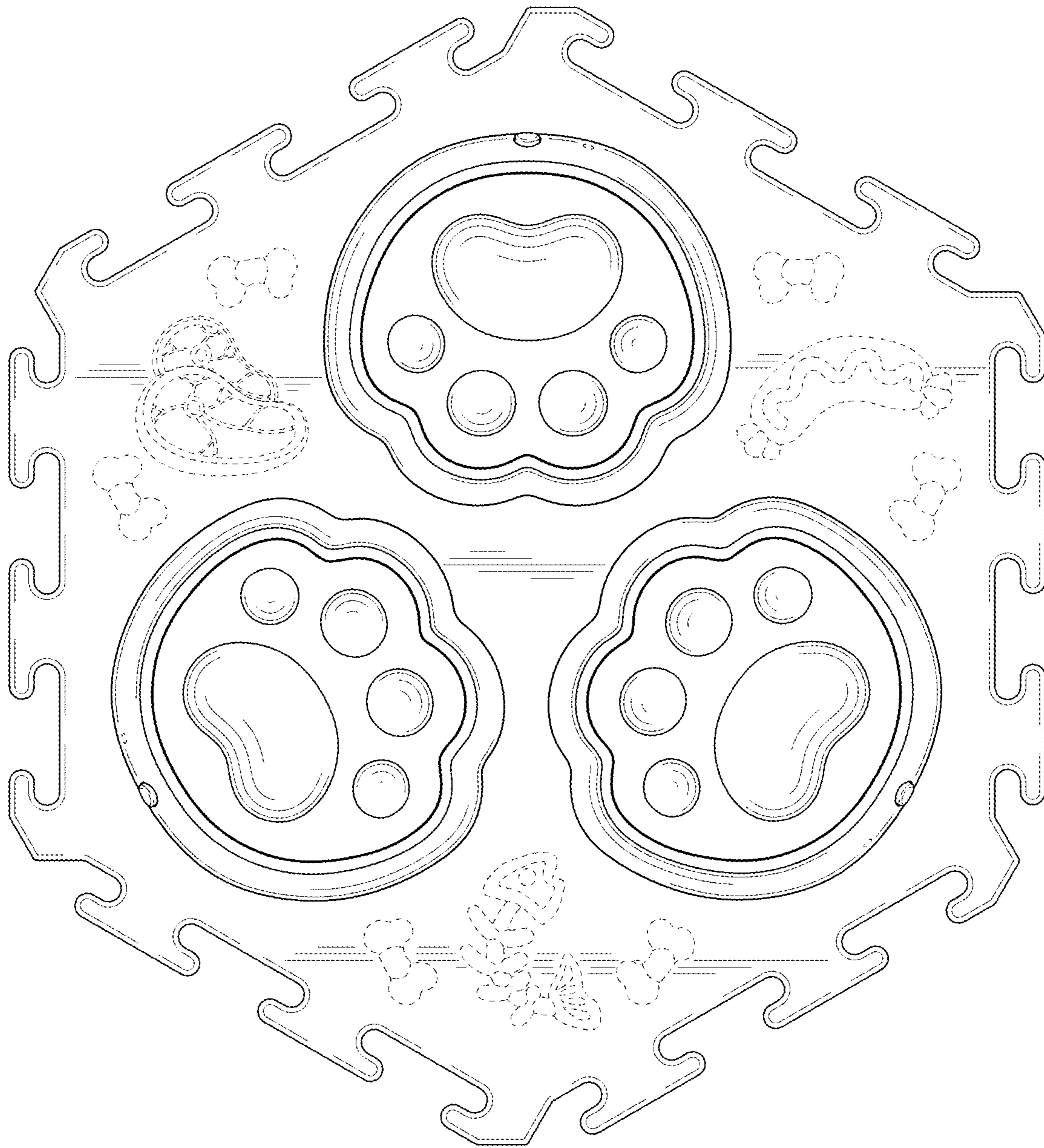


FIG. 7

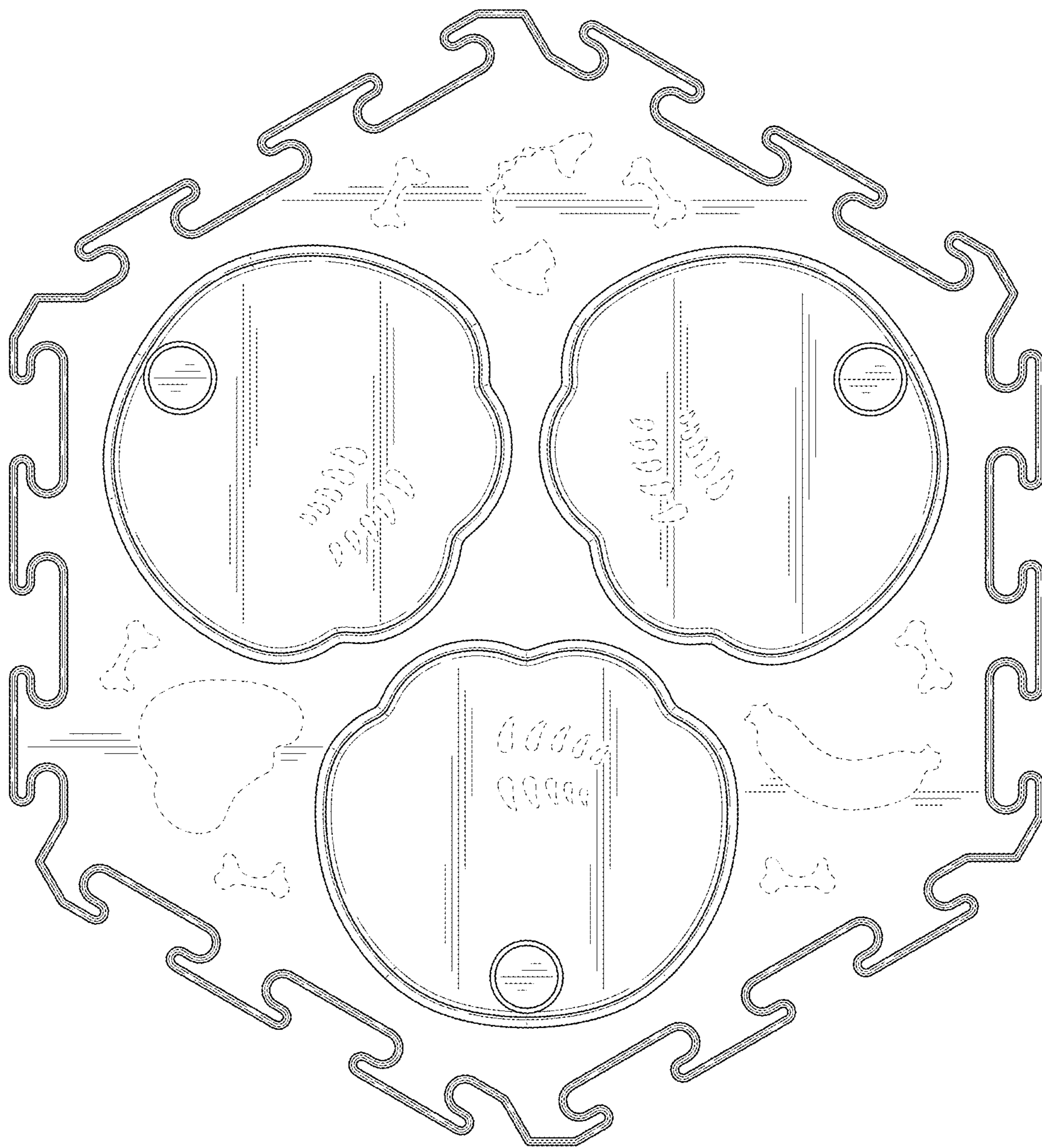


FIG. 8

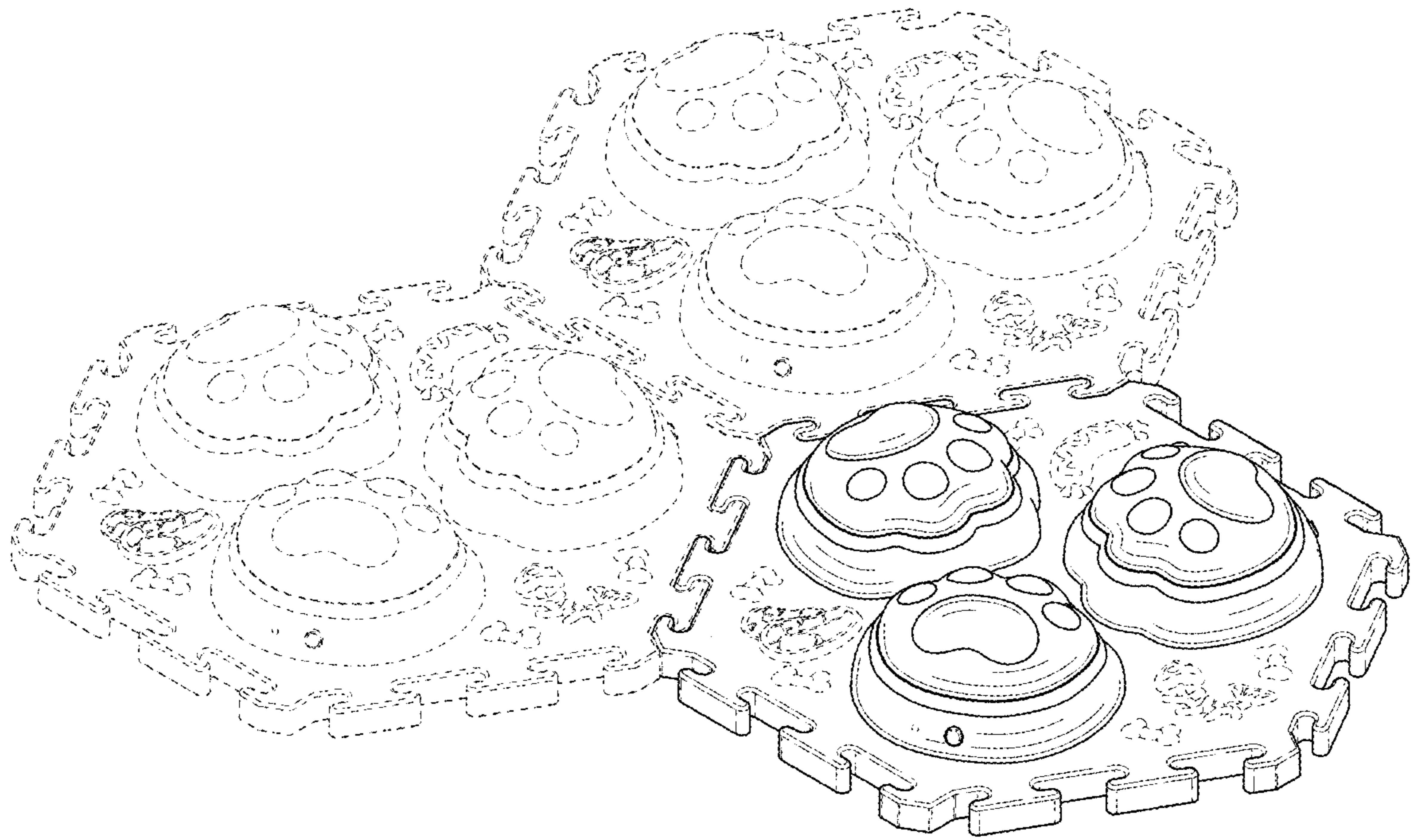


FIG. 9

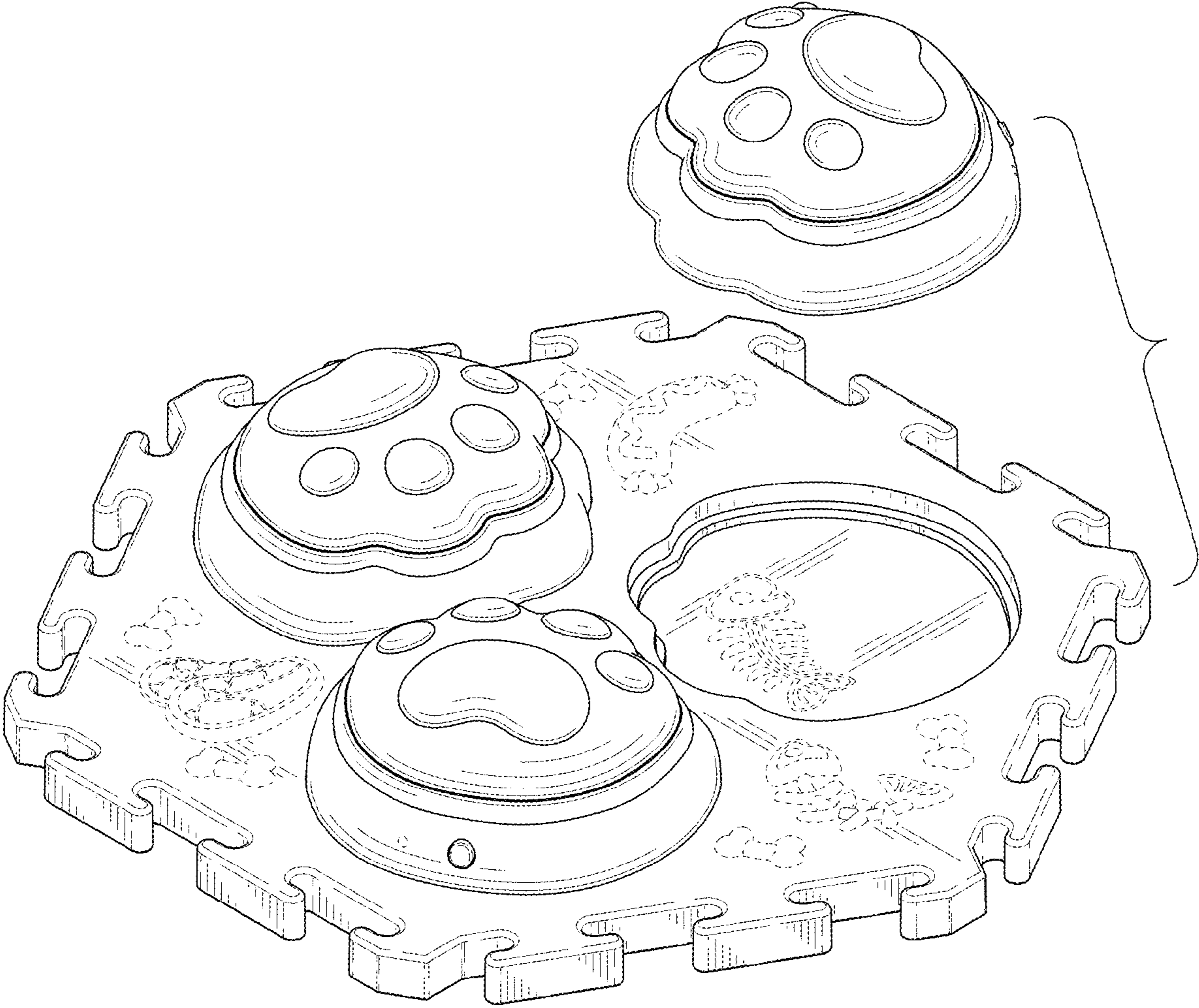


FIG. 10

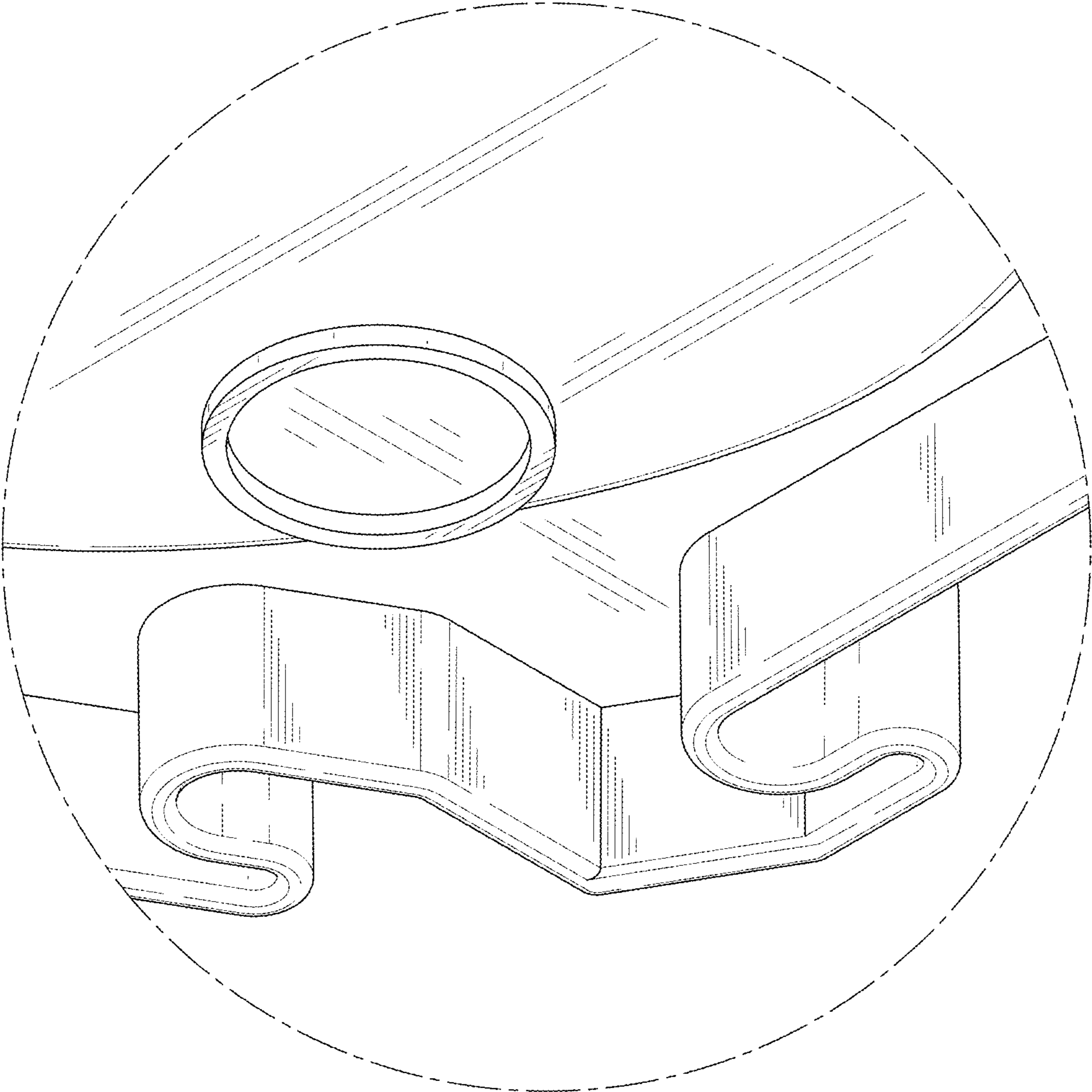


FIG. 11