



US00D963961S

(12) **United States Design Patent**  
**Guo**

(10) **Patent No.:** **US D963,961 S**

(45) **Date of Patent:** **\*\* Sep. 13, 2022**

(54) **CAT TREE TOWER**

(71) Applicant: **GLOBEGOU WZ CO., LTD,**  
Wenzhou (CN)

(72) Inventor: **Zeshan Guo,** Gaoyou (CN)

(\*\*) Term: **15 Years**

(21) Appl. No.: **29/817,060**

(22) Filed: **Nov. 29, 2021**

(30) **Foreign Application Priority Data**

Nov. 19, 2021 (CN) ..... 202130765177.1

(51) **LOC (13) Cl.** ..... **30-99**

(52) **U.S. Cl.**  
USPC ..... **D30/160**

(58) **Field of Classification Search**

USPC ..... D30/158, 159, 199, 160, 108, 118-120,  
D30/104, 161; 119/625, 633, 600, 617,  
119/628, 632, 631, 602, 621, 603, 28.5,  
119/174, 706, 482, 485, 452, 453, 498,  
119/499, 702, 708; D4/136, 127, 124,  
D4/130; D28/91.2, 63; D32/47, 35, 40,  
D32/52; D24/211, 212, 214, 215;  
15/114, 110, 117, 160, DIG. 6, 210.1,  
15/207.2, DIG. 5, 105, 111, 187; 4/606,  
4/559; 601/136, 137; 132/129, 132, 148,  
132/114; 401/28; D23/261; D6/592  
CPC .... A01K 15/02; A01K 15/024; A01K 15/025;  
A01K 15/027; A01K 1/033; A01K 1/035;  
A01K 13/004; A01K 13/00  
See application file for complete search history.

(56) **References Cited**

**U.S. PATENT DOCUMENTS**

3,595,209 A \* 7/1971 Parker ..... A01K 15/024  
248/200.1  
3,618,568 A \* 11/1971 Breeden ..... A01K 1/033  
119/482

D233,844 S \* 12/1974 Tucker ..... D30/160  
D257,293 S \* 10/1980 Michalski ..... D30/158  
D261,186 S \* 10/1981 Michalski ..... D30/158  
D290,767 S \* 7/1987 Duffek ..... D30/108  
5,577,465 A \* 11/1996 Cook ..... A01K 15/027  
119/28.5  
5,577,466 A \* 11/1996 Luxford ..... A01K 15/024  
119/485  
D398,087 S \* 9/1998 Pritzker ..... D30/118  
5,875,735 A \* 3/1999 Bradley ..... A01K 15/024  
119/706  
5,924,383 A \* 7/1999 Smith ..... A01K 1/0157  
119/847

(Continued)

**OTHER PUBLICATIONS**

Animaze 4-Tower <https://www.petco.com/shop/en/petcostore/product/default-product-name-2991645> (Year: 2020).\*

(Continued)

*Primary Examiner* — Susan Moon Lee

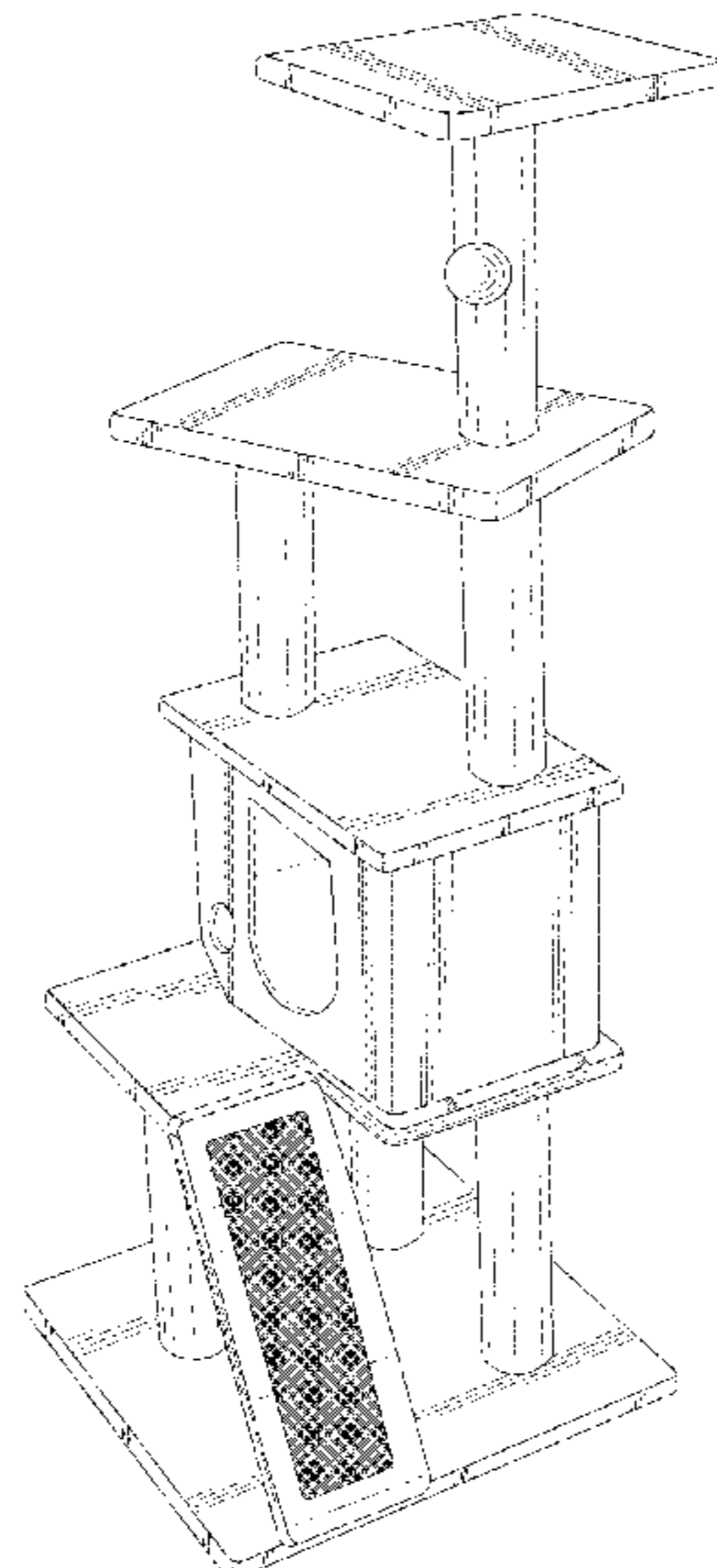
(57) **CLAIM**

The ornamental design for a cat tree tower, substantially as shown and described.

**DESCRIPTION**

FIG. 1 is a front elevational view of a cat tree tower, showing my new design;  
FIG. 2 is a rear elevational view thereof;  
FIG. 3 is a left side elevational view thereof;  
FIG. 4 is a right side elevational view thereof;  
FIG. 5 is a top plan view thereof; and,  
FIG. 6 is a top, front and right side perspective view thereof.  
The broken lines in the drawings illustrate the portions of the cat tree tower, which form no part of the claimed design.

**1 Claim, 6 Drawing Sheets**



(56)

References Cited

U.S. PATENT DOCUMENTS

6,378,463 B1 \* 4/2002 Simmons ..... A01K 15/025  
119/707  
6,886,495 B1 \* 5/2005 Madden ..... A01K 1/033  
119/482  
6,966,277 B2 \* 11/2005 Deraspe-Bolles ... A01K 15/024  
119/702  
7,207,292 B1 \* 4/2007 Colten ..... A01K 1/0114  
D30/162  
D611,204 S \* 3/2010 Slater ..... D30/160  
8,020,518 B1 \* 9/2011 Reinke ..... A01K 15/025  
119/482  
D774,707 S \* 12/2016 Kellogg ..... D30/160  
D774,708 S \* 12/2016 Kellogg ..... D30/160  
D846,818 S \* 4/2019 He ..... D30/160  
10,357,018 B2 \* 7/2019 Amicarelli ..... A01K 1/035  
D883,585 S \* 5/2020 Song ..... D30/160  
D883,586 S \* 5/2020 Song ..... D30/160  
D884,991 S \* 5/2020 Song ..... D30/160  
D885,691 S \* 5/2020 Song ..... D30/160  
D886,398 S \* 6/2020 Song ..... D30/160  
D920,599 S \* 5/2021 Guo ..... D30/160  
D920,600 S \* 5/2021 Guo ..... D30/160

11,064,676 B2 \* 7/2021 Goldman ..... A01K 1/035  
D928,427 S \* 8/2021 Guo .....  
D928,428 S \* 8/2021 Guo ..... D30/160  
D930,290 S \* 9/2021 He ..... D30/161  
D941,535 S \* 1/2022 Guo ..... D30/160  
D942,093 S \* 1/2022 Huang ..... D30/160  
D942,712 S \* 2/2022 Huang ..... D30/160  
2003/0221628 A1 \* 12/2003 Leon ..... A01K 15/024  
119/28.5  
2010/0154719 A1 \* 6/2010 Kellogg ..... A01K 15/025  
119/702  
2012/0312239 A1 \* 12/2012 Wedertz ..... A01K 15/024  
119/28.5  
2016/0360729 A1 \* 12/2016 Shi ..... A01K 15/024  
2019/0230896 A1 \* 8/2019 Goldman ..... A01K 1/035  
2021/0137074 A1 \* 5/2021 Goronkin ..... A01K 15/024  
2021/0329887 A1 \* 10/2021 Kellogg ..... F16B 9/02  
2021/0400915 A1 \* 12/2021 Monahan ..... A01K 15/027

OTHER PUBLICATIONS

Animaze 5-Level Cat Tree w/Condo <https://www.petco.com/shop/en/petcostore/product/animaze-5-level-grey-cat-tree-with-condo> (Year: 2020).\*

\* cited by examiner

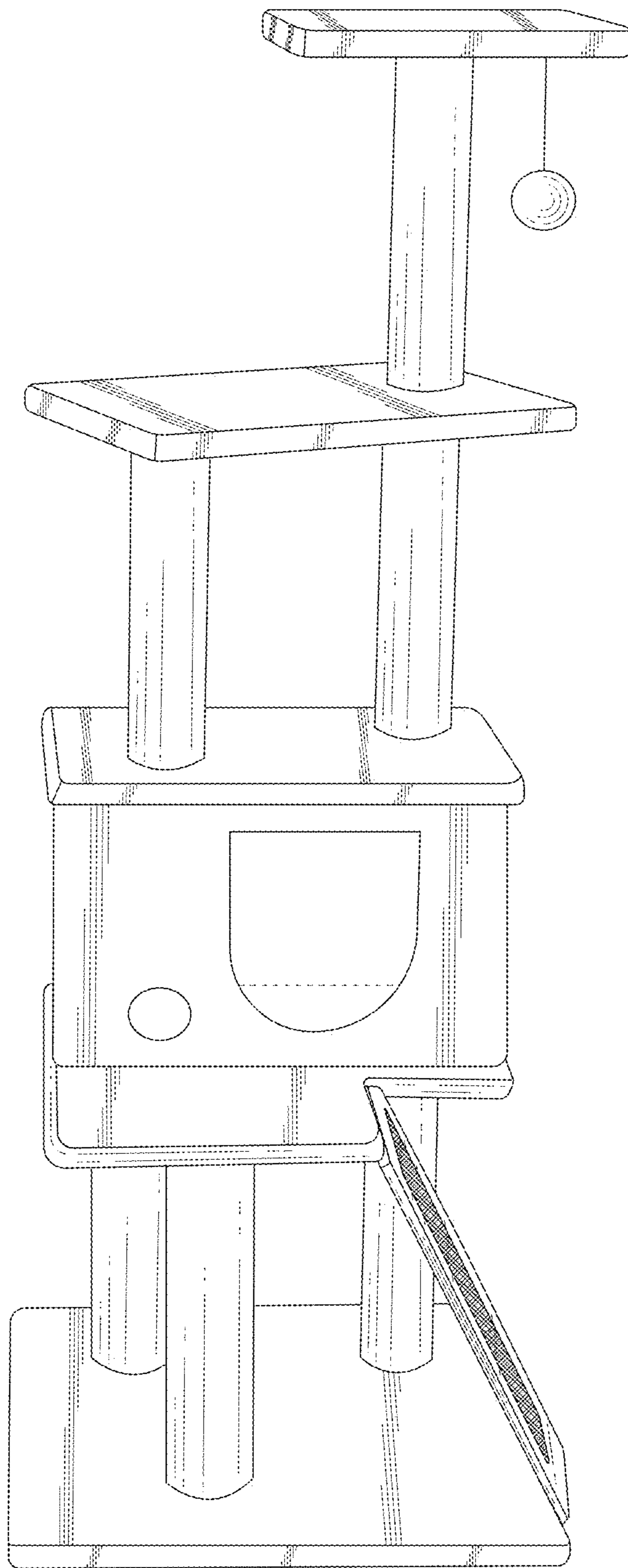


FIG. 1

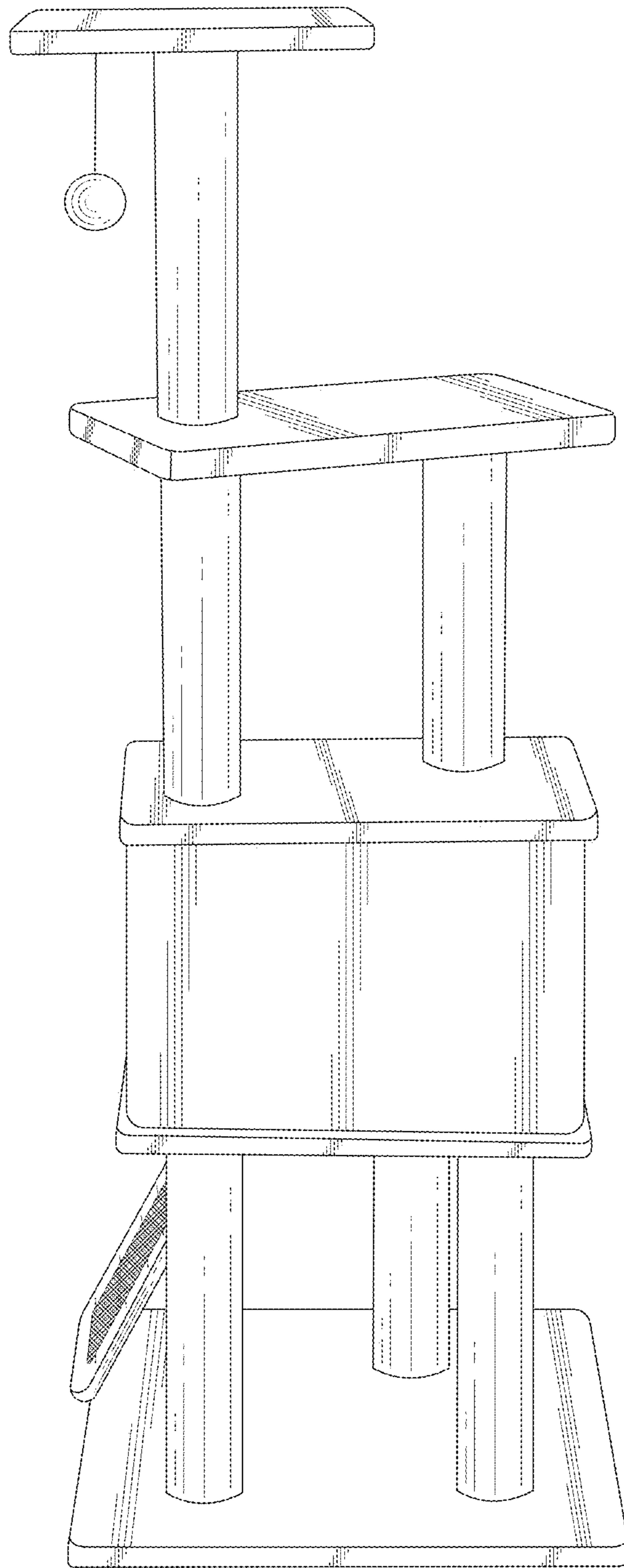


FIG. 2



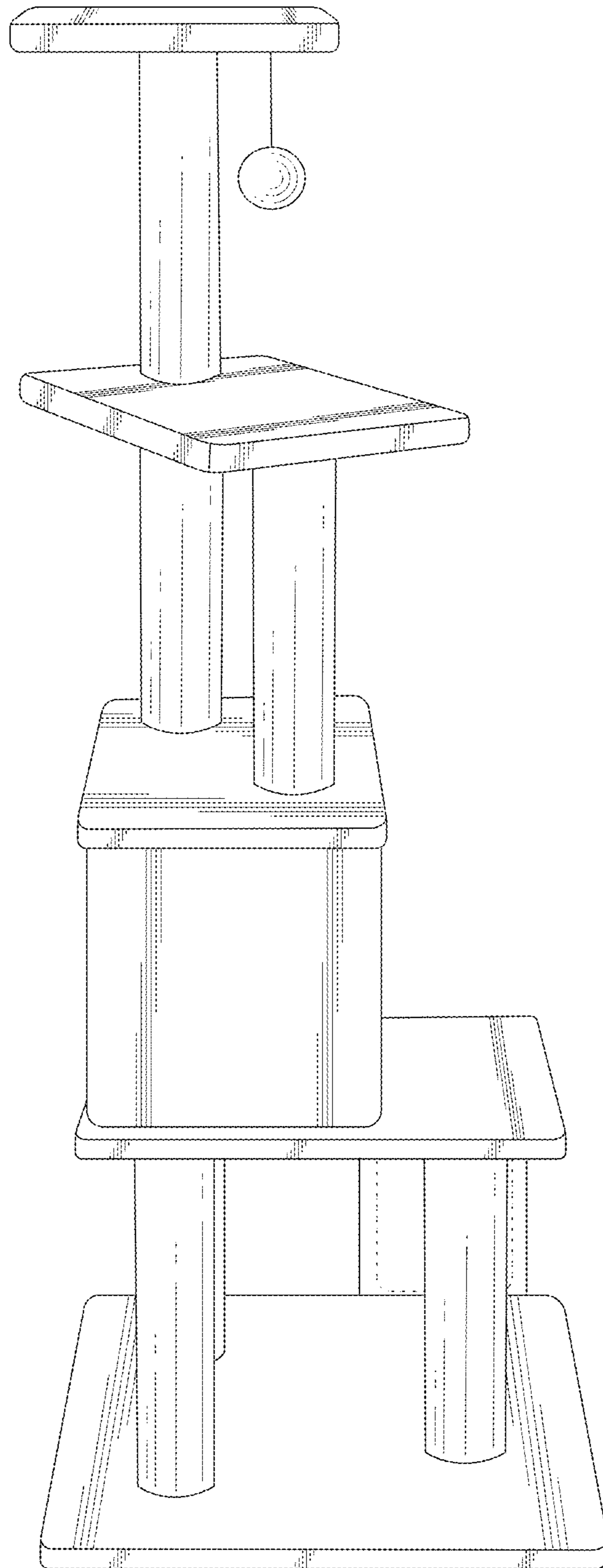


FIG. 3

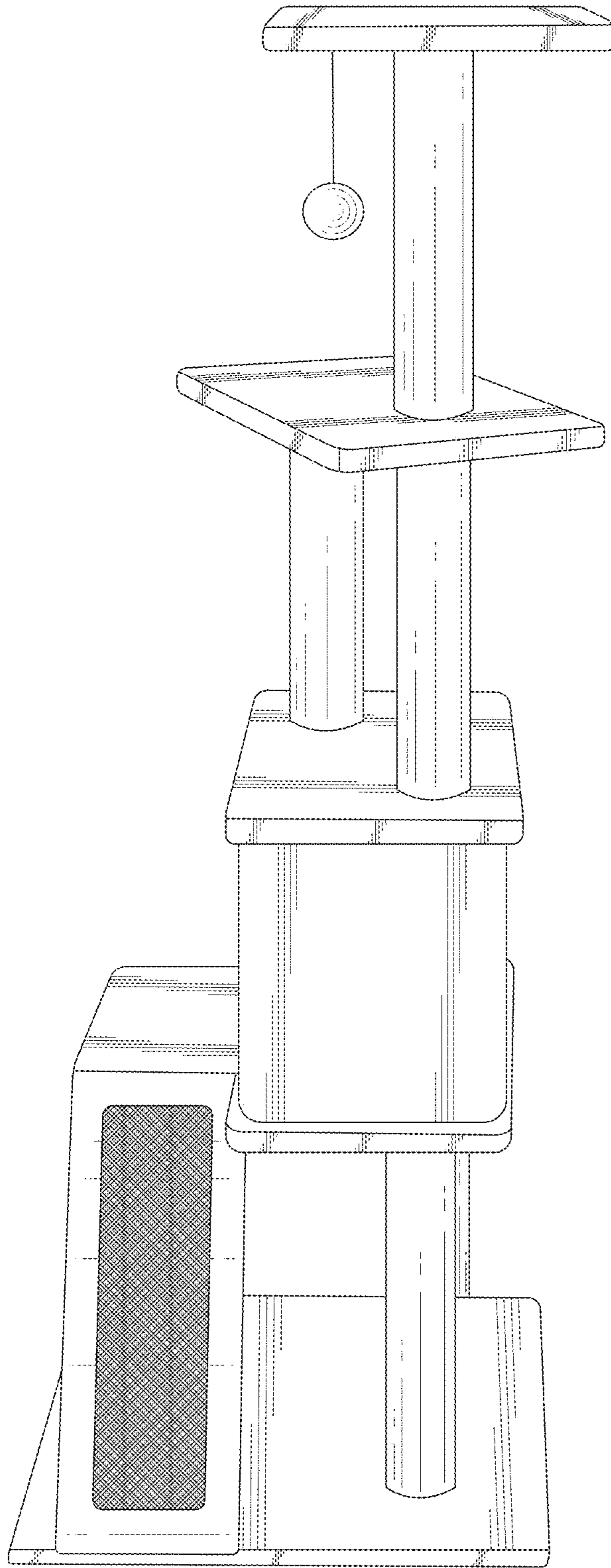


FIG. 4

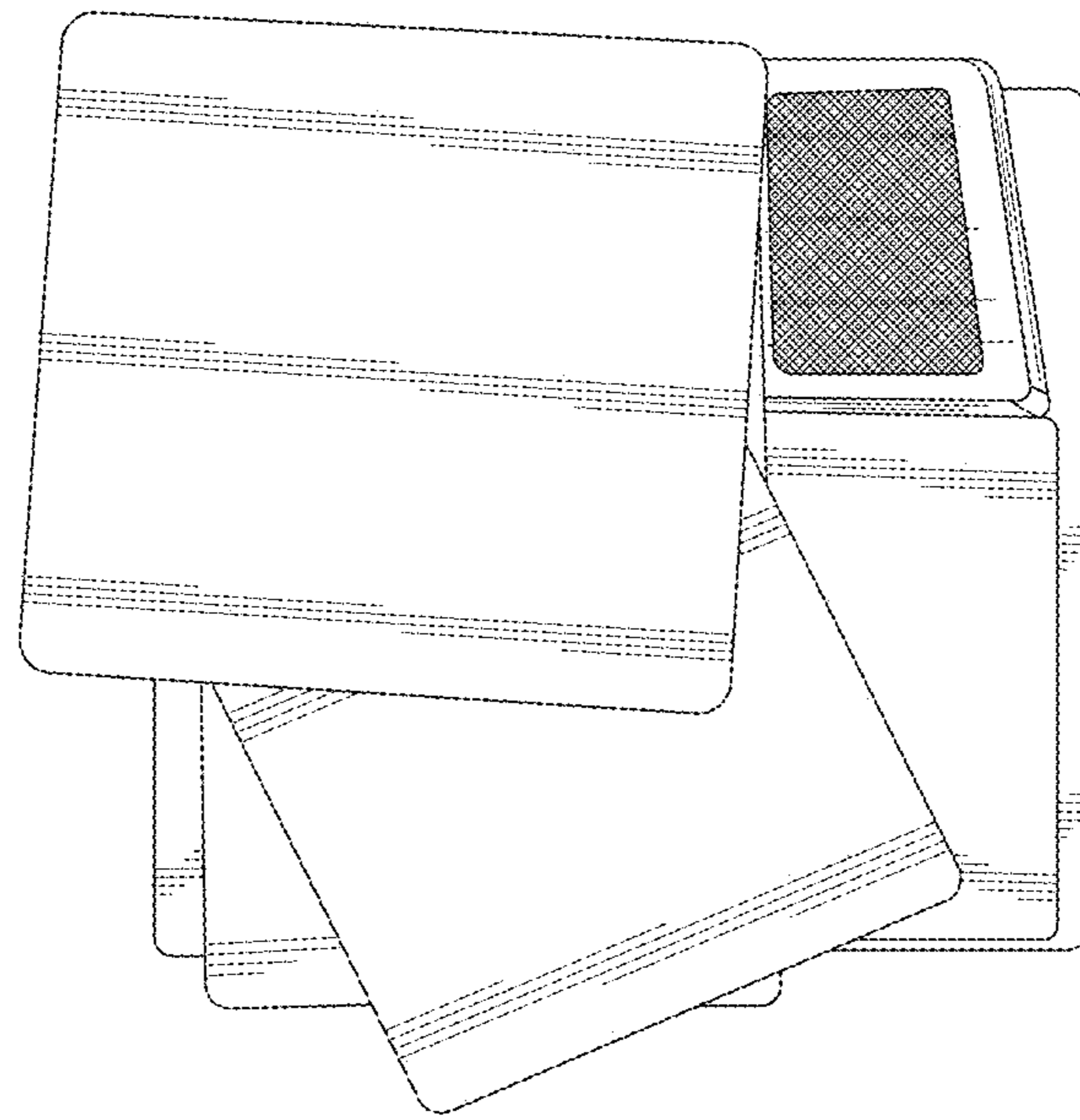


FIG. 5

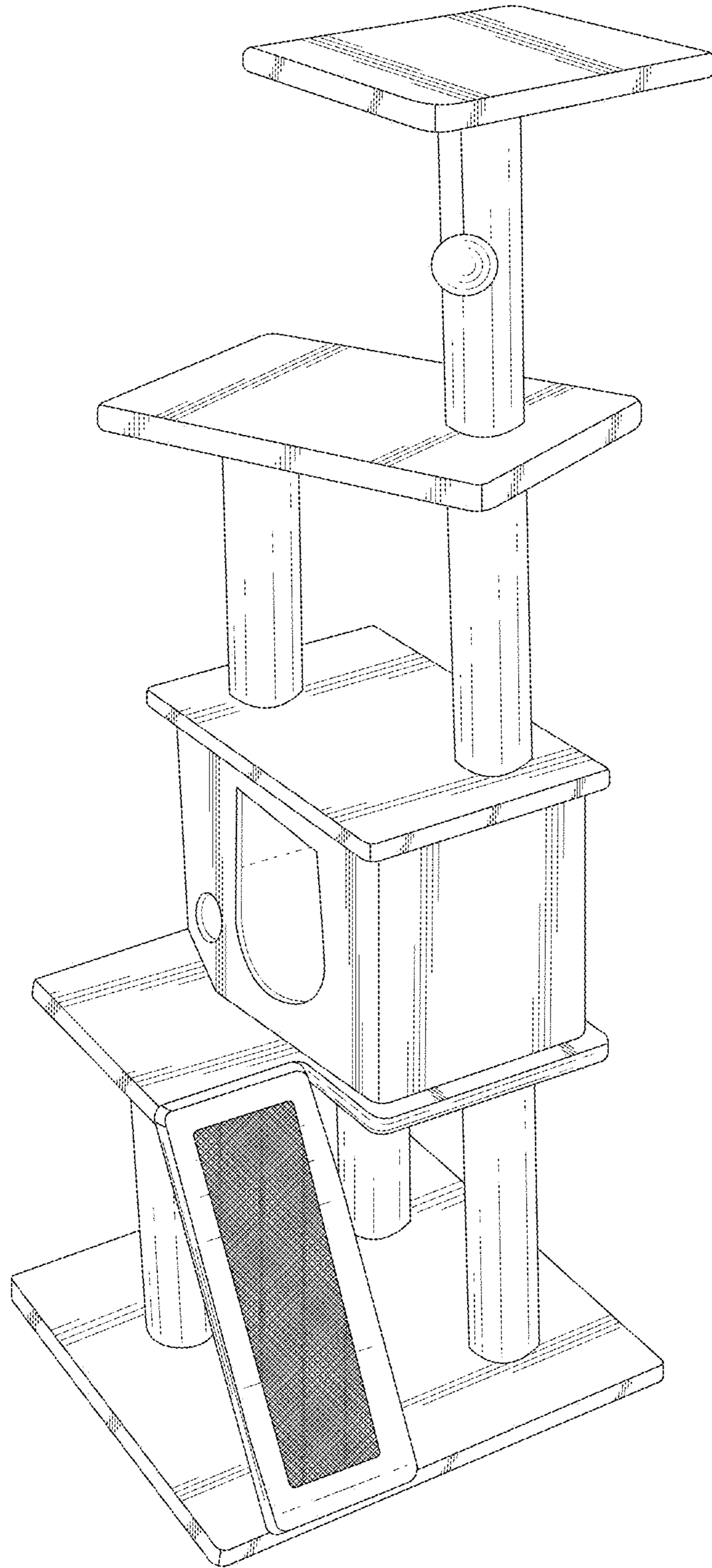


FIG. 6