



US00D963960S

(12) **United States Design Patent** (10) **Patent No.:** **US D963,960 S**
Zhang (45) **Date of Patent:** **** Sep. 13, 2022**

(54) **RETRACTABLE DOG LEASH**

(71) Applicant: **Zhenzhong Zhang**, Tianmen (CN)

(72) Inventor: **Zhenzhong Zhang**, Tianmen (CN)

(**) Term: **15 Years**

(21) Appl. No.: **29/781,220**

(22) Filed: **Apr. 28, 2021**

(51) **LOC (13) Cl.** **30-04**

(52) **U.S. Cl.**
USPC **D30/153**

(58) **Field of Classification Search**
USPC D30/144, 151, 152, 153, 154, 155, 199;
D8/107, 300, 313
CPC A01K 27/004
See application file for complete search history.

(56) **References Cited**

U.S. PATENT DOCUMENTS

D351,264 S *	10/1994	Stout	D30/153
6,526,918 B1 *	3/2003	Arnold	B65H 75/4431 119/796
D615,713 S	5/2010	Archetti		
D638,998 S *	5/2011	Kaneko	D30/153
D670,871 S *	11/2012	Desberg	D30/153
D724,839 S *	3/2015	Holden	D3/244
D762,018 S	7/2016	Schmidt		
D770,693 S *	11/2016	Zhu	D30/153
D824,604 S *	7/2018	Walter	D30/153
D829,389 S *	9/2018	Lan	D30/153
D947,467 S *	3/2022	Dai	D30/153
2006/0266300 A1 *	11/2006	Perkitny	A01K 27/004 119/713
2015/0208614 A1 *	7/2015	Vaccari	A01K 27/004 119/796
2015/0237832 A1 *	8/2015	O'Brien	B65H 75/406 119/796
2016/0066545 A1 *	3/2016	DeBien	A01K 27/004 119/796

OTHER PUBLICATIONS

“Babyltrl: Heavy-Duty Retractable Dog Leash”. Found online May 19, 2022 at amazon.com. Reference dated Jul. 14, 2020. Retrieved from <https://www.amazon.com/Retractable-Tangle-Free-Reflective-Anti-Slip-One-Handed/dp/B08CY52P1W?th=1>.*

“DELE: Retractable Pet Leash”. Found online Mar. 24, 2021 at amazon.com. Reference dated Jul. 22, 2018. Retrieved from <https://www.amazon.com/DELE-Retractable-Generation-Direction-Extension/dp/B07FS7T3LG>.*

“Green Tree Jewelry: Conch Shell Earrings”. Found online May 19, 2022 at amazon.com. Reference dated May 4, 2017. Retrieved from <https://www.amazon.com/Green-Tree-1007TA-Conch-Earrings/dp/B071NQ15GH>.*

“iStock Photography: Ocean Snail Shell”. Found online May 19, 2022 at istockphoto.com. Reference dated Sep. 5, 2013. Retrieved from <https://www.istockphoto.com/photo/large-empty-ocean-snail-shell-on-white-background-gm186682347-27060206>.*

* cited by examiner

Primary Examiner — Kendra Leslie Hamilton

(74) *Attorney, Agent, or Firm* — Jeenam Park

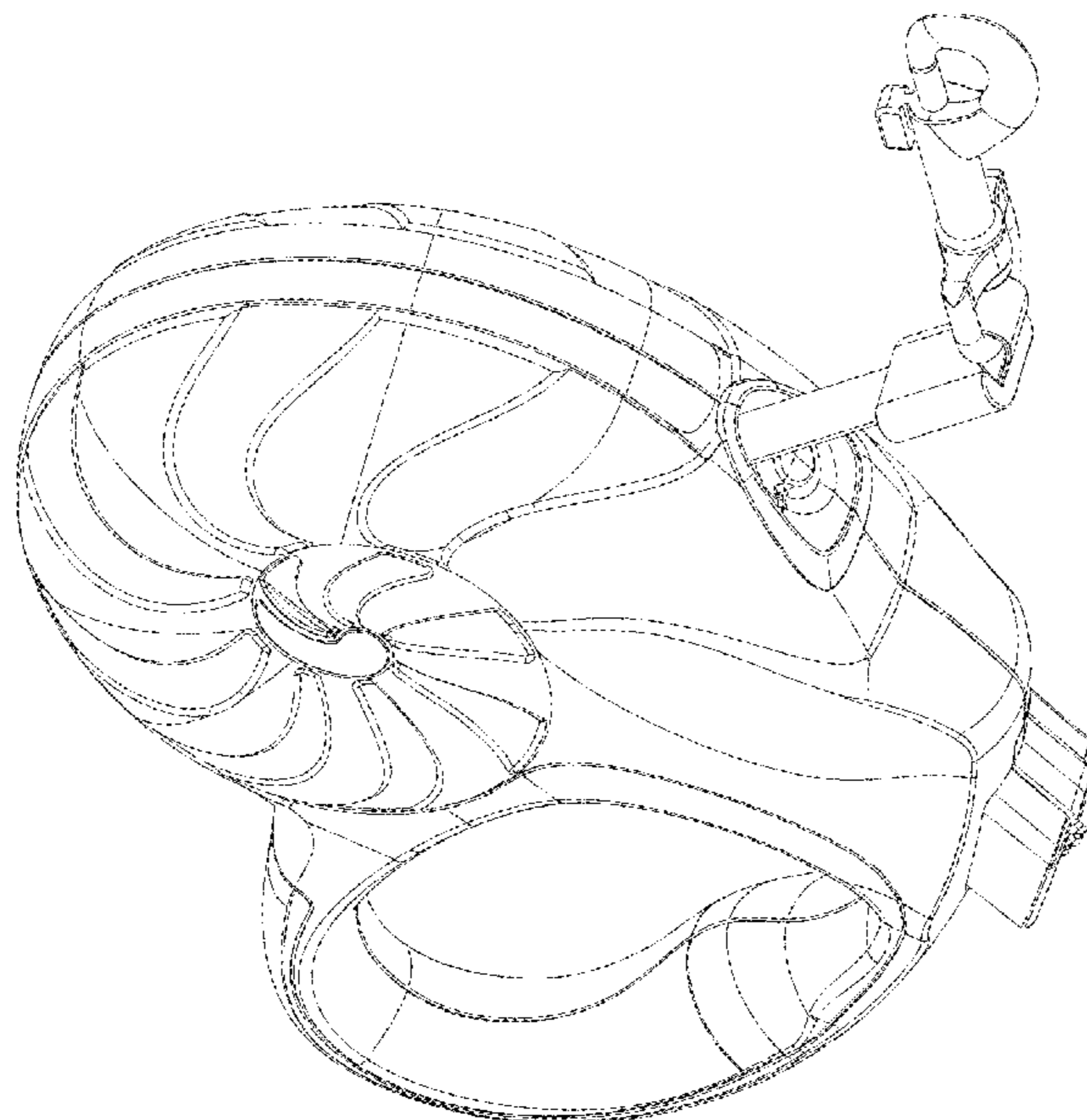
(57) **CLAIM**

The ornamental design for a retractable dog leash, as shown and described.

DESCRIPTION

FIG. 1 is a perspective view of a retractable dog leash showing my new design;
 FIG. 2 is a front view thereof;
 FIG. 3 is a back view thereof;
 FIG. 4 is a left side view thereof;
 FIG. 5 is a right side view thereof;
 FIG. 6 is a top plan view thereof; and,
 FIG. 7 is a bottom plan view thereof.

1 Claim, 7 Drawing Sheets



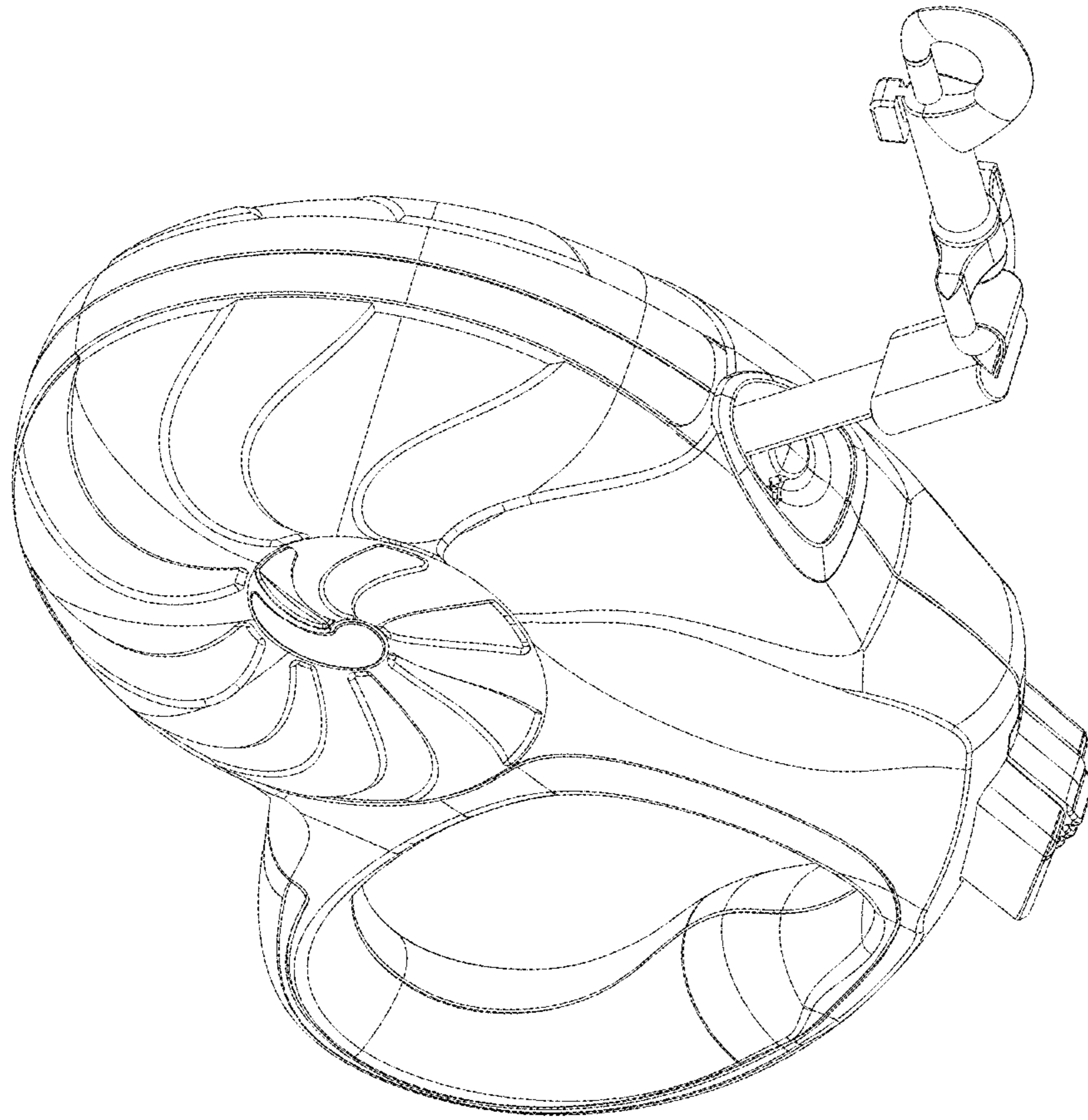


FIG. 1

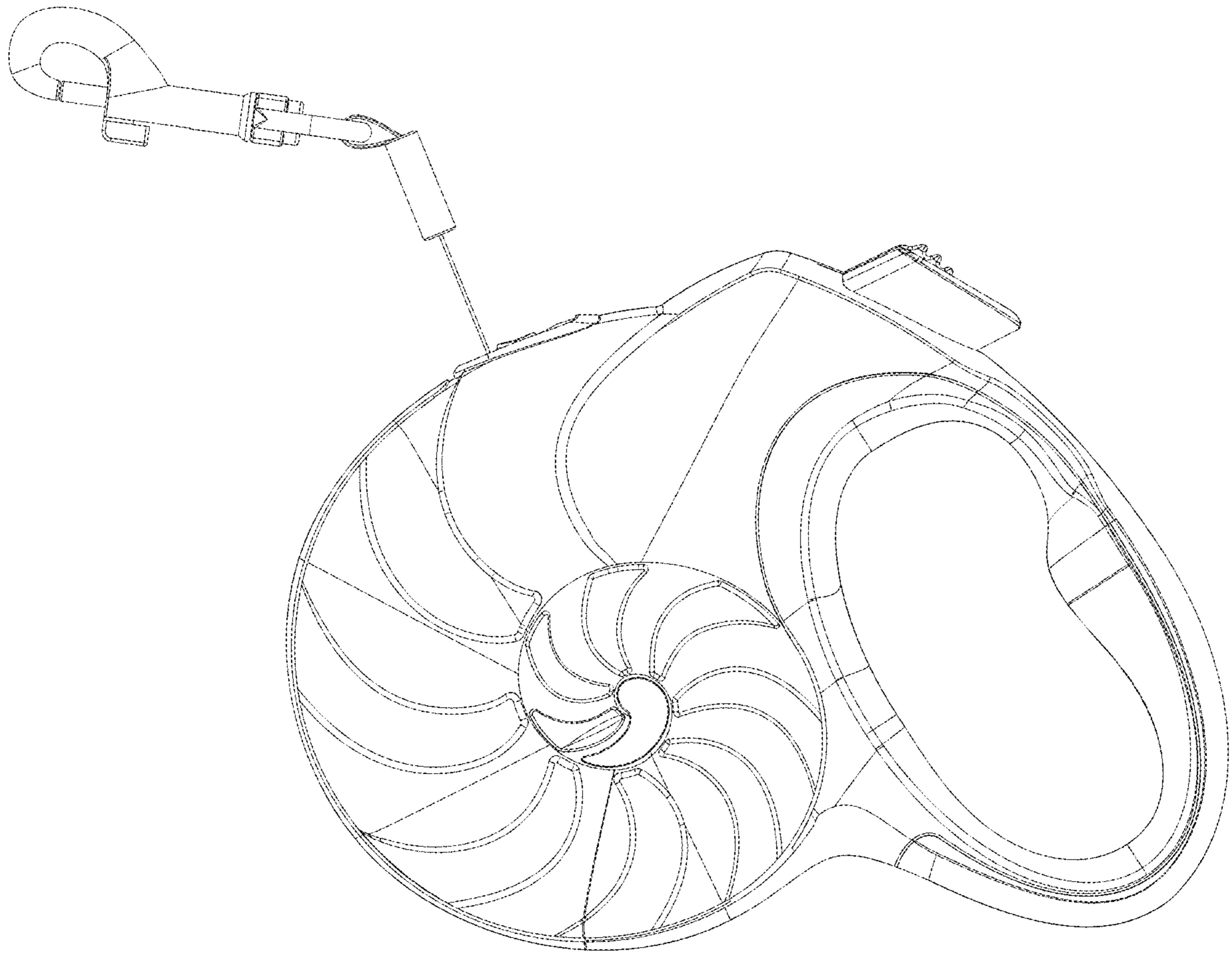


FIG. 2

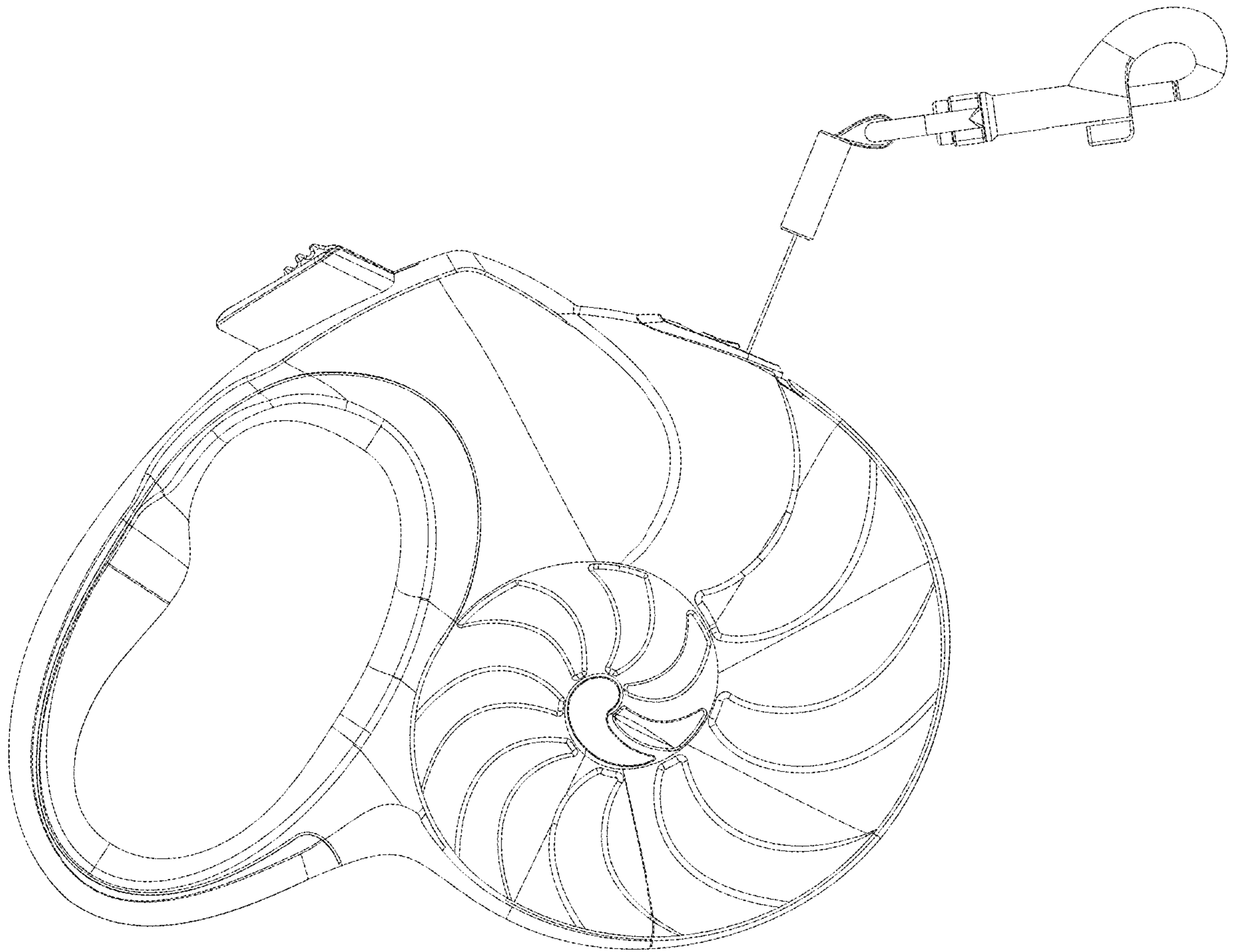


FIG. 3

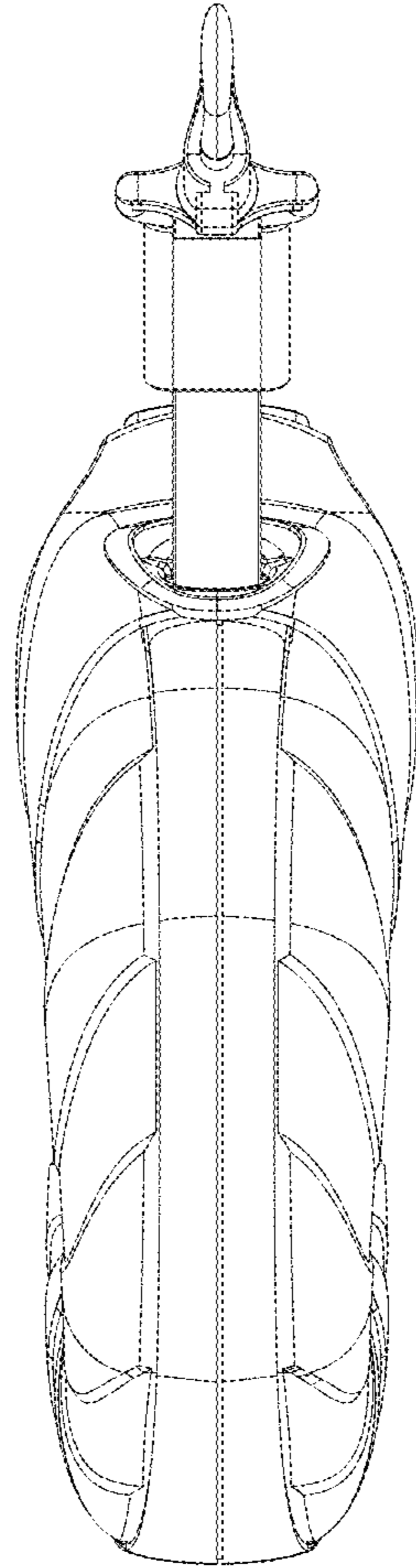


FIG. 4

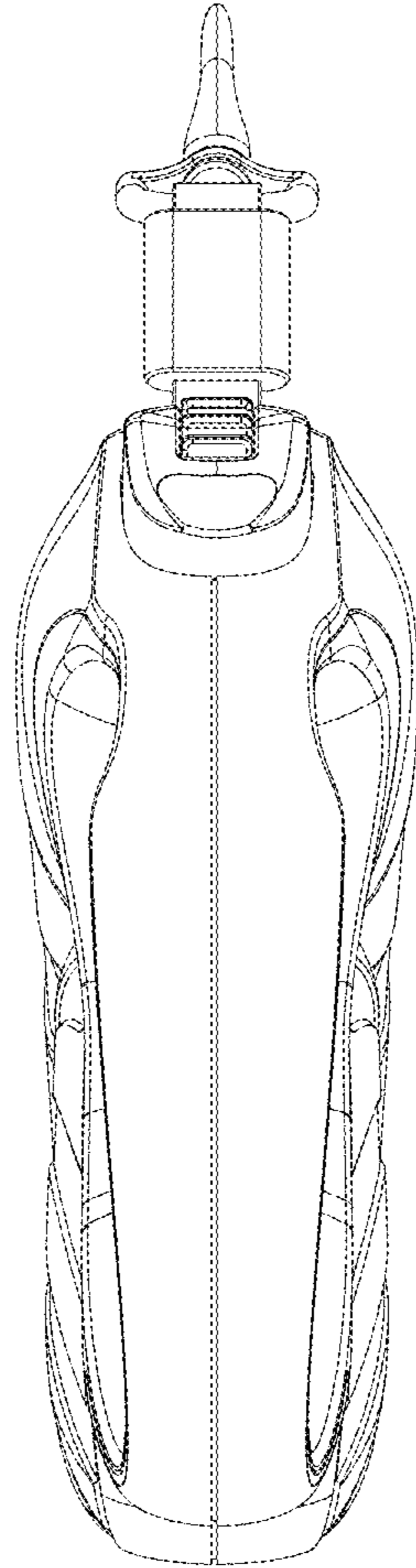


FIG. 5

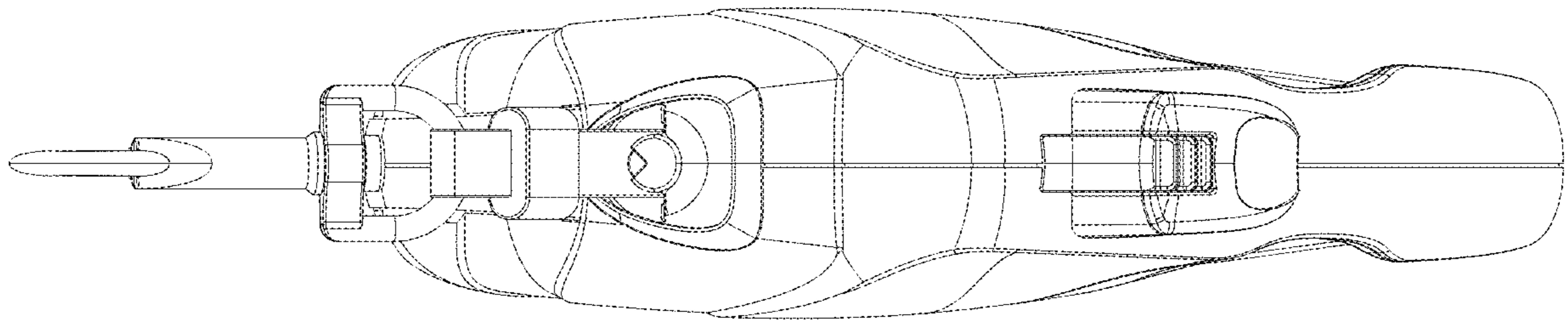


FIG. 6

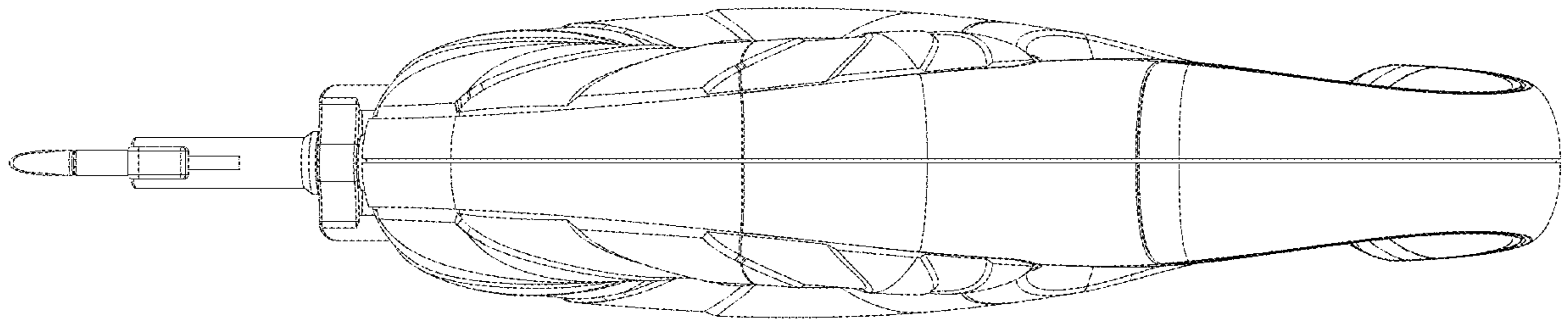


FIG. 7