



US00D963956S

(12) **United States Design Patent**  
**Haywood**

(10) **Patent No.:** **US D963,956 S**  
(45) **Date of Patent:** **\*\* Sep. 13, 2022**

- (54) **ANIMAL FEEDING DEVICE**
- (71) Applicant: **Ursula Mary Haywood**, Cambridge (NZ)
- (72) Inventor: **Ursula Mary Haywood**, Cambridge (NZ)
- (\*\*) Term: **15 Years**
- (21) Appl. No.: **29/693,002**
- (22) Filed: **May 30, 2019**
- (51) **LOC (13) Cl.** ..... **30-03**
- (52) **U.S. Cl.**  
USPC ..... **D30/121**
- (58) **Field of Classification Search**  
USPC .... D30/121-133, 199; 119/51.01, 61, 51.04, 119/53, 57.91, 54, 53.5, 52.4, 51.11, 63, 119/61.2, 52.1, 57.5, 57.6, 51.13, 62, 75, 119/500, 501, 72, 72.5, 74, 78-81, 61.56, 119/51.5; 239/7, 687, 379, 397.5; 222/199, 181.1, 181.2, 185.1, 557, 156, 222/485, 486, 548, 555, 207, 205, 424, 222/438, 48, 206, 212, 215, 460, 461, 222/525, 86, 89; 220/200, 227, 247, 262, 220/694, 700, 701, 703, 660-662, 521, 220/705, 709, 287, 523, 574, 6, 771, 737, 220/23.83, 212, 4.22, 847; 221/174, 221/185.1, 289, 295, 296, 559; 454/35; 209/270, 283, 244; 52/194, 192; 49/279, 49/344, 357; D34/28; D9/531, 549, 516, D9/523, 530, 538, 541, 544, 559, 719, D9/716, 424, 426, 432, 428, 431, 433, D9/739, 447; D7/300, 300.1, 302-305, D7/312, 316, 317, 507-512, 523, 524, D7/528, 700, 709, 605, 620, 612, 619.1, D7/624.2, 624.3, 550.1, 571, 587, 598; D3/132; D15/143, 199; D28/4, 7, 9; D19/66; 141/343, 331, 340, 384, 330, 141/332, 383, 311 R, 313, 338, 344, 345; 210/455; 215/228, 231, 235, 319-383, 215/386, DIG. 7, 388, 6, 12.1, 10, 13.1;

4/258, 259, 267; 206/459.1, 459.5, 501, 206/45.23, 6, 514, DIG. 10, 217, 543, 206/544, 546, 549, 223, 241, 541, 518, 206/522, 557, 591; 224/148.4, 148.7, 650  
 CPC . A01K 7/00; A01K 7/005; A01K 7/02; A01K 7/022; A01K 7/06; A01K 39/0213; A01K 39/02; A01K 55/00; B65D 41/26; B65D 41/265; B65D 41/28; B65D 41/32; B65D 41/325; B65D 41/34; B65D 41/56; B65D 51/20; B65D 51/249; B65D 51/24; B65D 51/28; B65D 47/243; B65D 2205/04; B65D 21/0238; B65D 81/3205; B65D 81/3216; B65D 71/50; B65D 77/2024;  
 (Continued)

(56) **References Cited**

U.S. PATENT DOCUMENTS

D258,037 S \* 1/1981 Conti ..... D7/534  
 4,793,533 A \* 12/1988 Yang ..... A61J 9/00  
 215/11.1

(Continued)

*Primary Examiner* — Susan Moon Lee  
 (74) *Attorney, Agent, or Firm* — Studebaker & Brackett PC

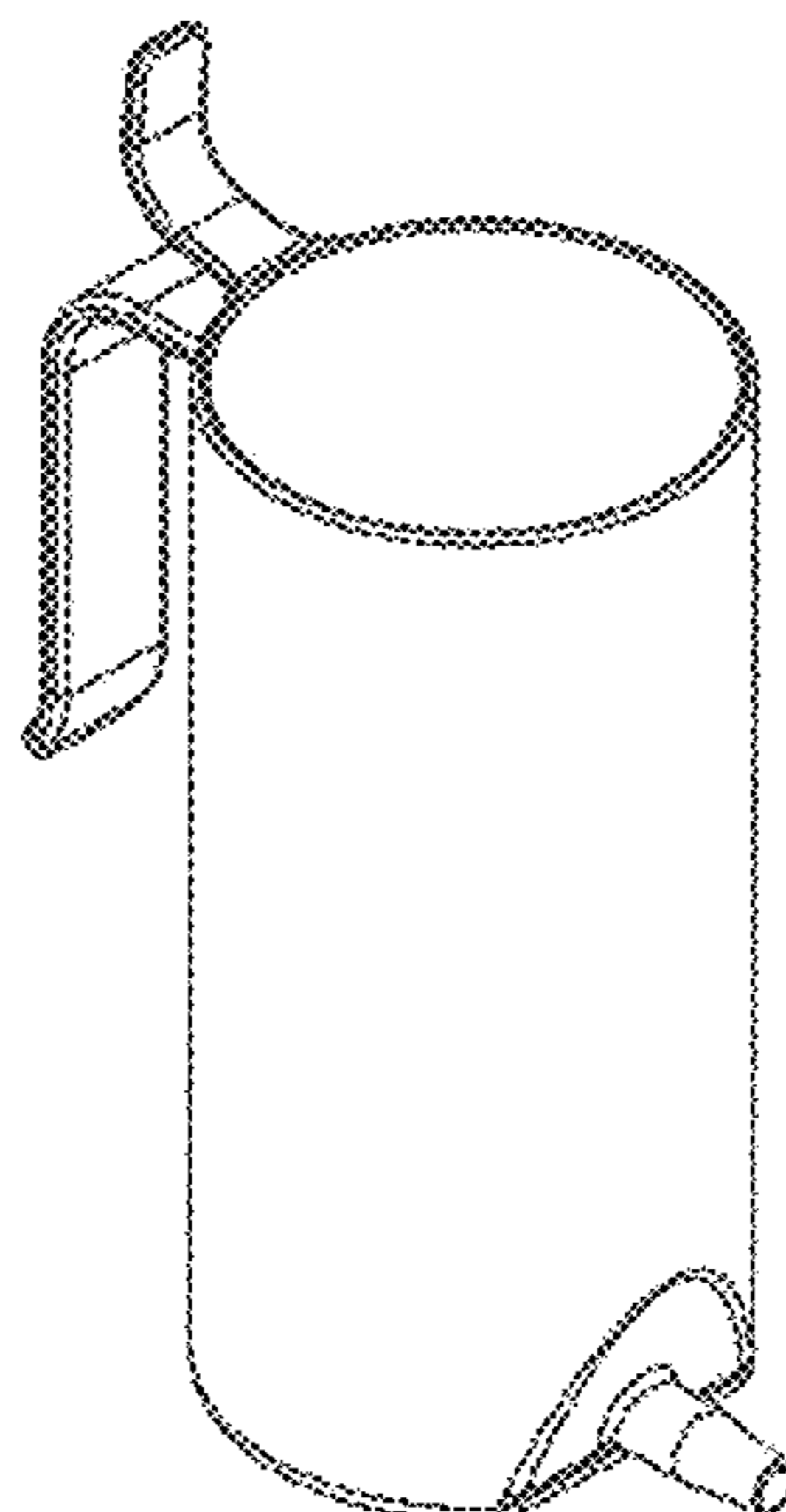
(57) **CLAIM**

The ornamental design for an animal feeding device, as shown and described.

**DESCRIPTION**

FIG. 1 is a front perspective view, showing my new design for an animal feeding device,  
 FIG. 2 is a rear perspective view thereof,  
 FIG. 3 is a rear view thereof,  
 FIG. 4 is a front view thereof,  
 FIG. 5 is a left side view thereof,  
 FIG. 6 is a bottom view thereof,  
 FIG. 7 is a top view thereof; and,  
 FIG. 8 is a right side view thereof.

**1 Claim, 4 Drawing Sheets**



(58) **Field of Classification Search**

CPC ..... B65D 43/0212; B65D 43/0231; B65D  
2517/0049; B65D 2543/00046; B65D  
2543/00092; B65D 2543/00537; B65D  
2543/00731; B65D 2543/00796; B65D  
2577/205; A61J 9/00; A61J 9/006; A61J  
9/001; A61J 9/003; A61J 11/04; A61J  
19/00; B65B 39/00; B65B 39/001; B65B  
39/005; B65B 39/007; B67C 11/02; G01F  
11/286; B67B 7/28; A45F 3/16; B67D  
1/0412

See application file for complete search history.

(56) **References Cited**

U.S. PATENT DOCUMENTS

5,010,847 A \* 4/1991 Braden ..... A01K 9/005  
119/71  
RE34,725 E \* 9/1994 Braden ..... A01K 9/005  
119/51.01  
6,374,773 B1 \* 4/2002 McIntyre ..... A01K 9/00  
119/72  
8,857,373 B2 \* 10/2014 Jenkins ..... A01K 5/0225  
119/68  
D792,032 S \* 7/2017 Haywood ..... D30/121  
2013/0061809 A1 \* 3/2013 Jenkins ..... A01K 5/0225  
119/52.1

\* cited by examiner

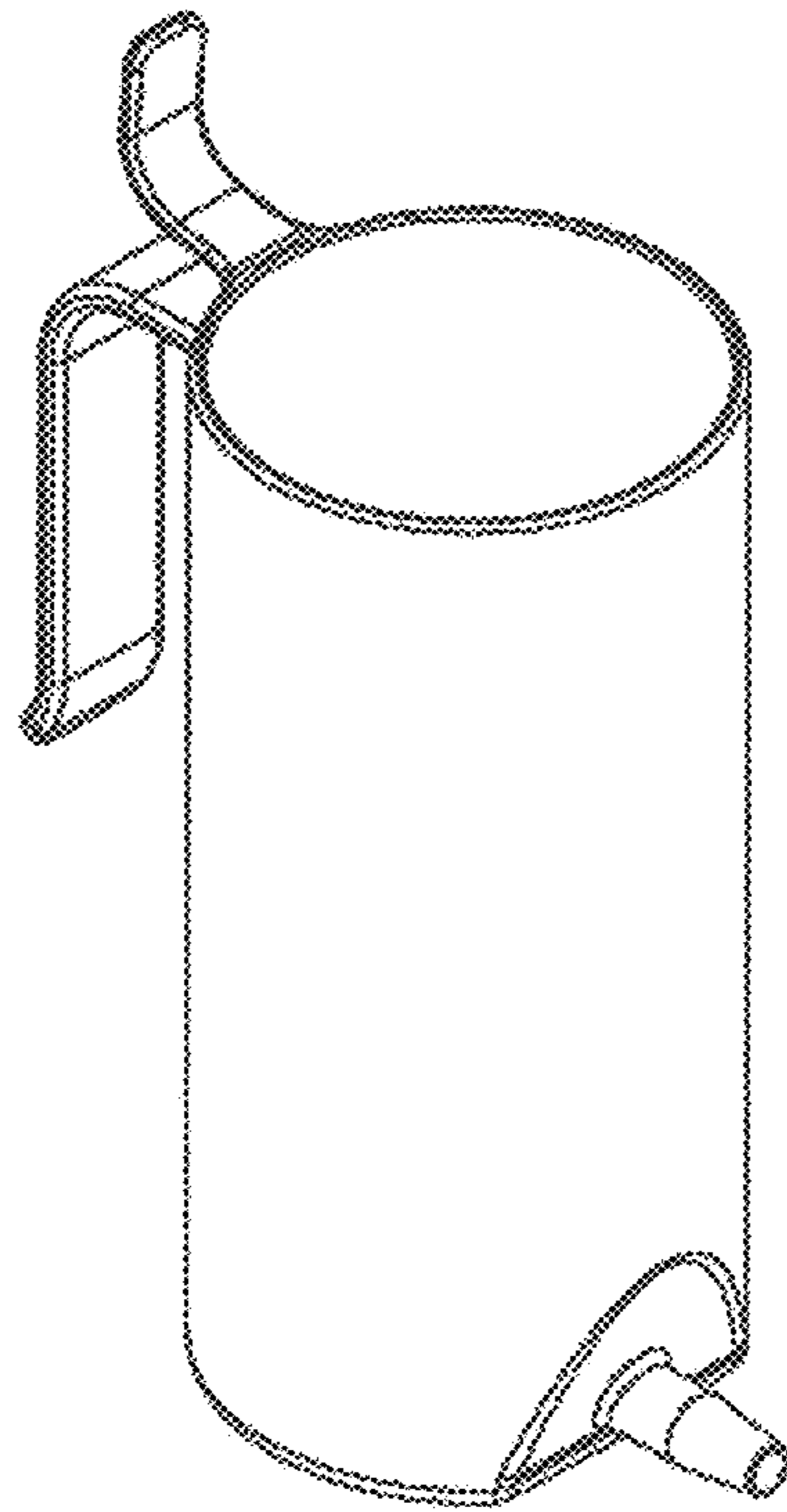


FIG. 1

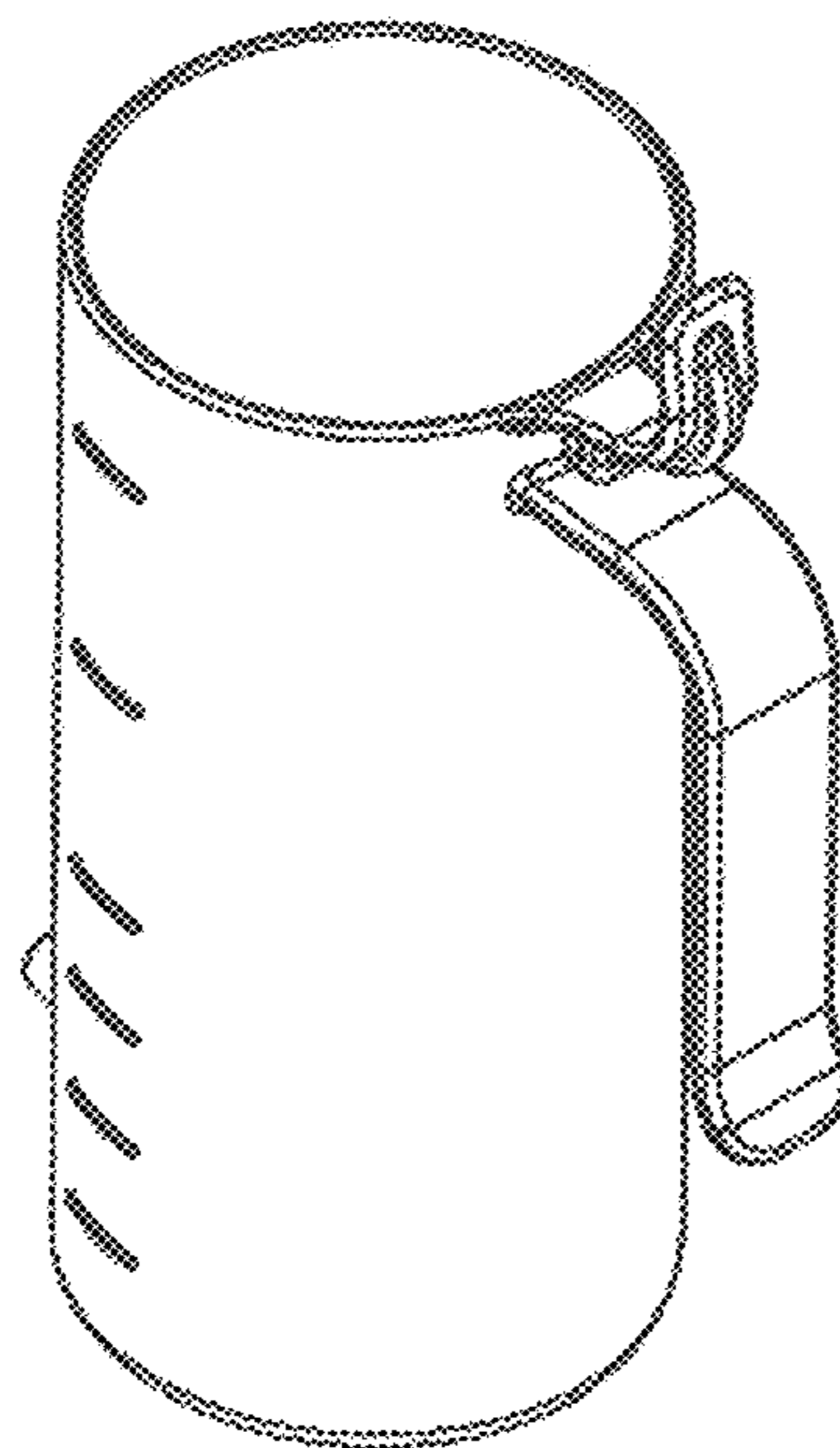


FIG. 2

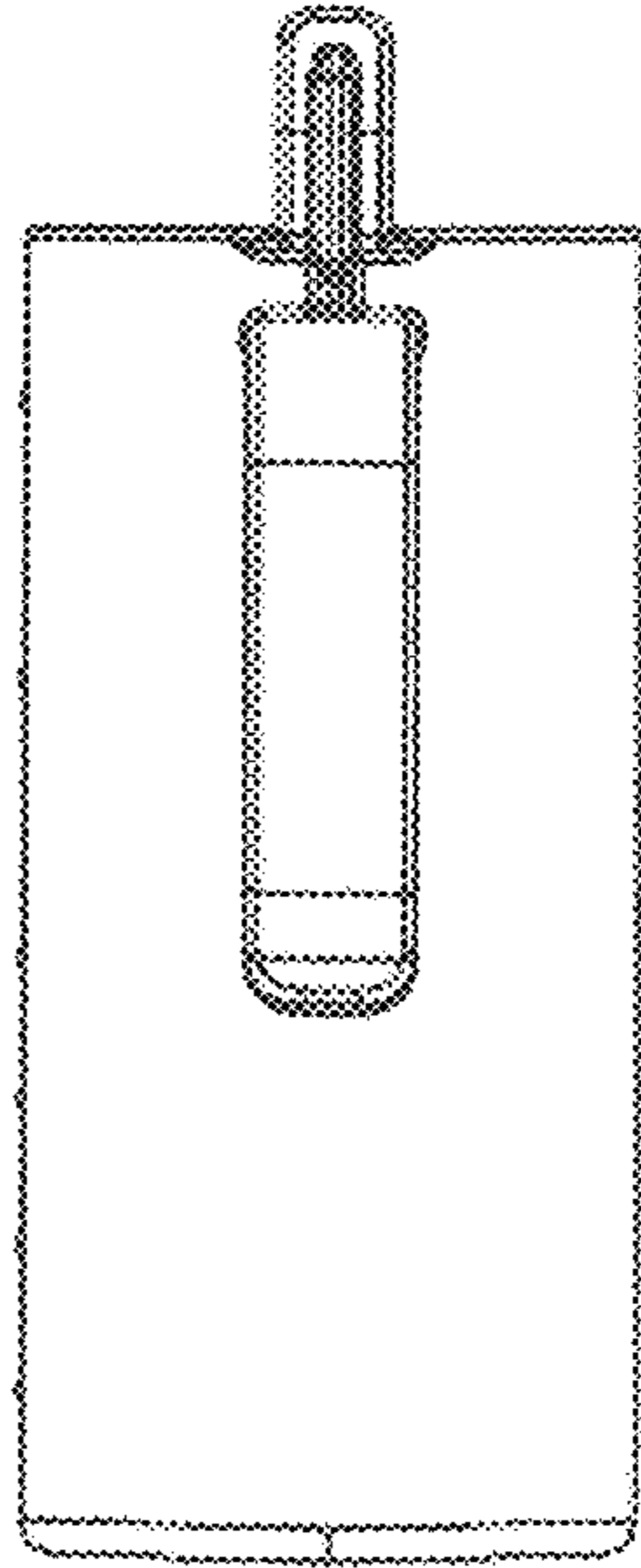


FIG. 3

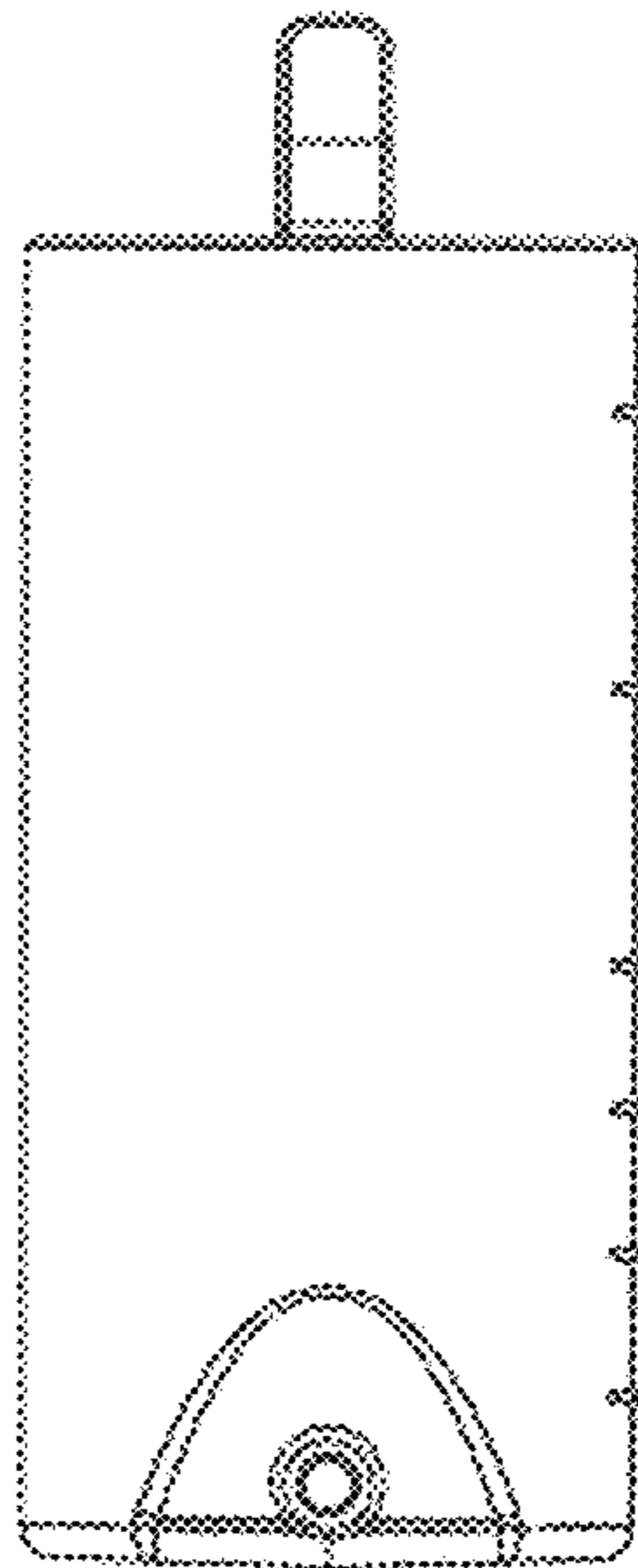


FIG. 4

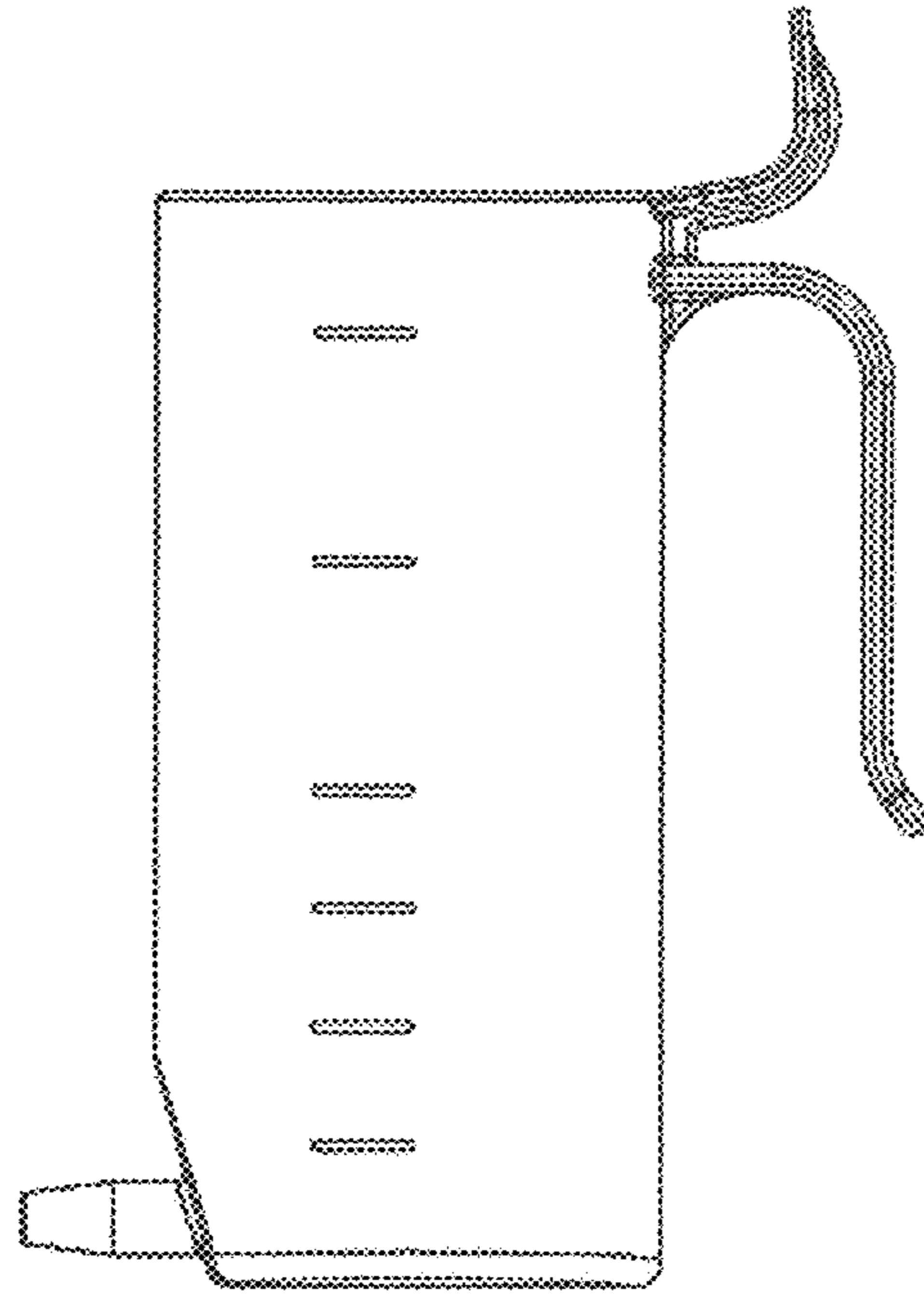


FIG. 5

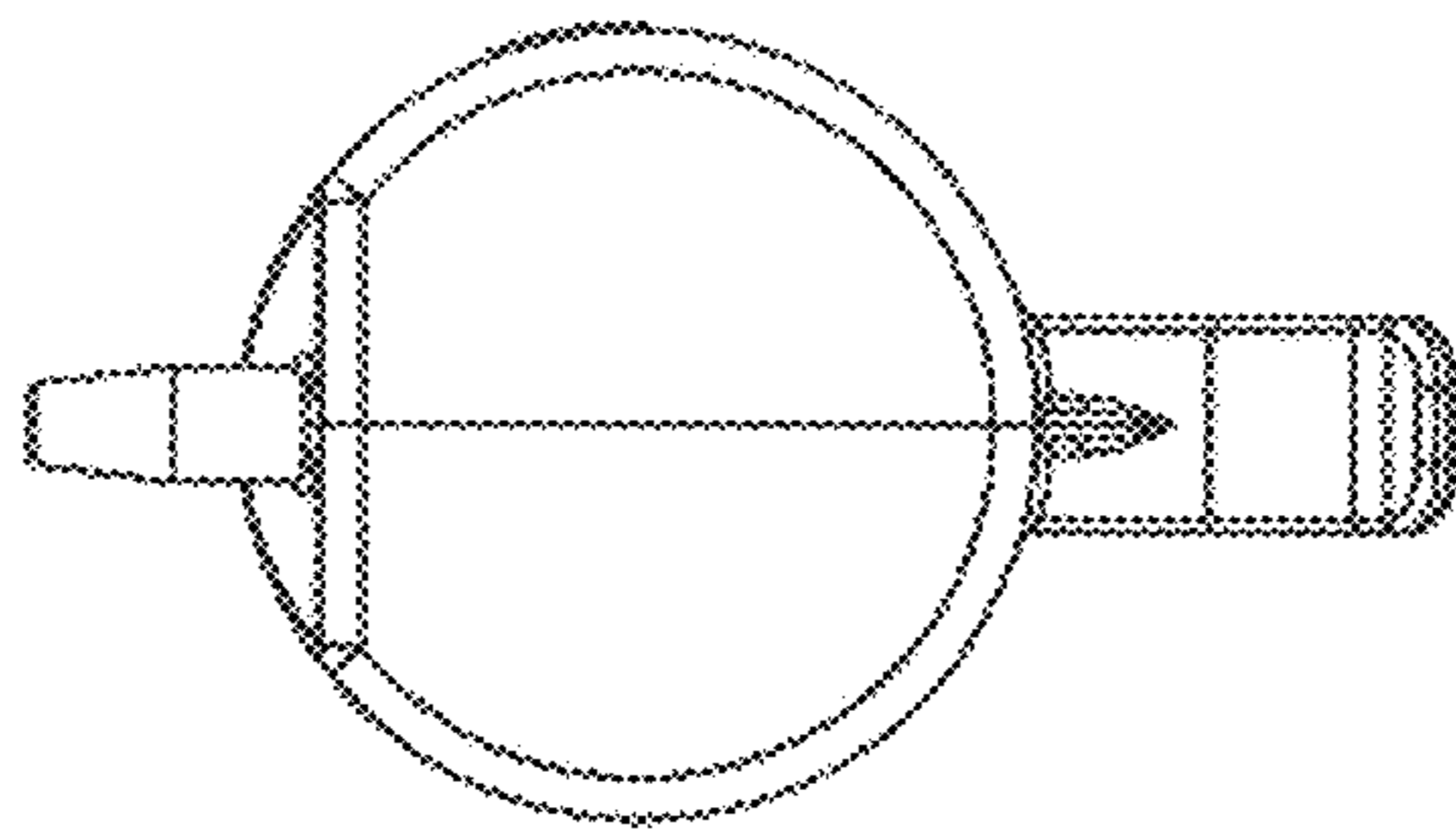


FIG. 6

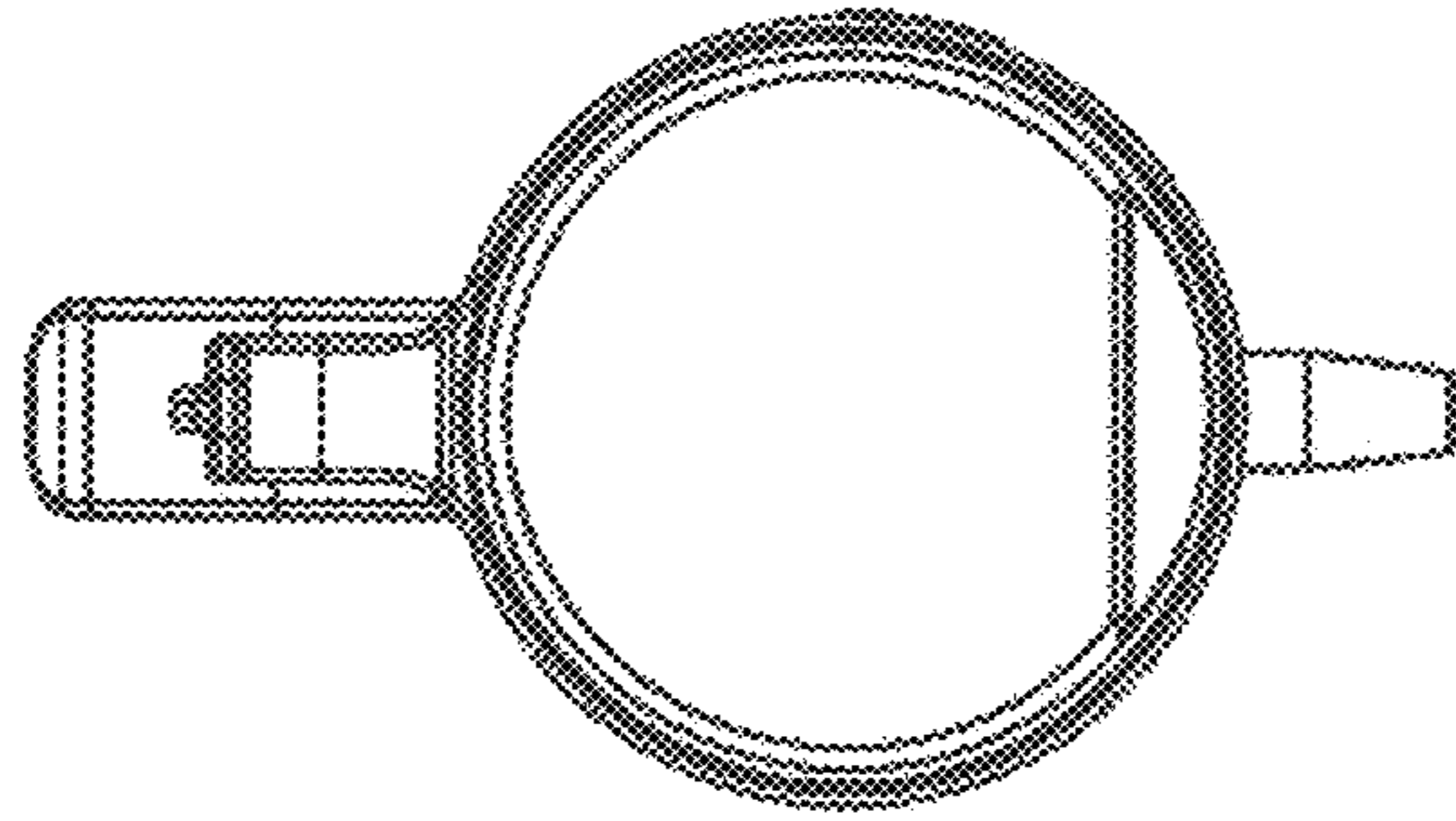


FIG. 7

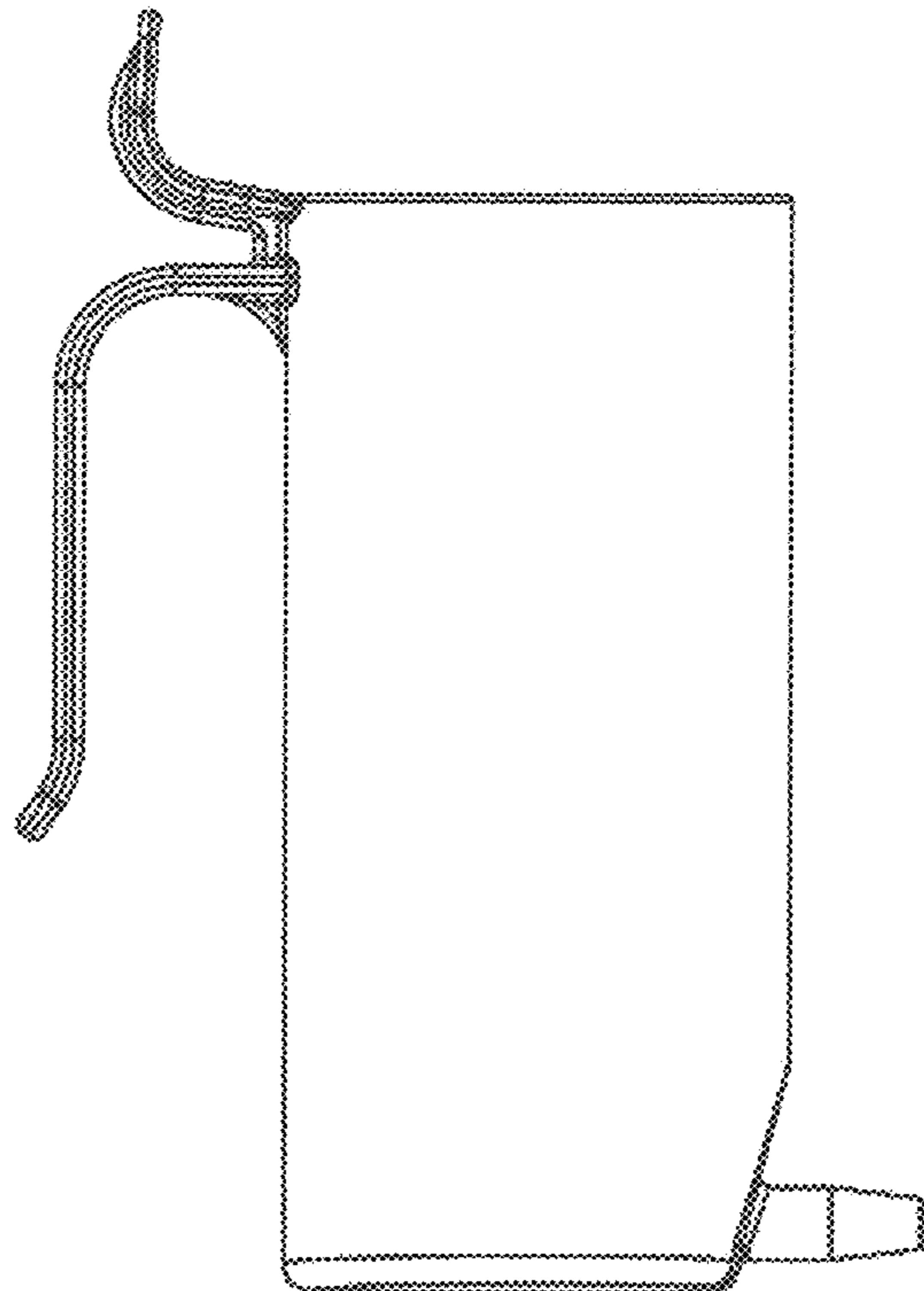


FIG. 8