



US00D963955S

(12) **United States Design Patent**
Senecal

(10) **Patent No.:** **US D963,955 S**

(45) **Date of Patent:** **** Sep. 13, 2022**

(54) **SAFETY CAP FOR FISH-TANK SIPHON**

(71) Applicant: **Natalie Senecal**, Miami, FL (US)

(72) Inventor: **Natalie Senecal**, Miami, FL (US)

(**) Term: **15 Years**

(21) Appl. No.: **29/761,849**

(22) Filed: **Dec. 11, 2020**

Related U.S. Application Data

(63) Continuation-in-part of application No. 16/982,492, filed as application No. PCT/IB2019/052370 on Mar. 22, 2019, now Pat. No. 11,304,411.

(51) **LOC (13) Cl.** **30-02**

(52) **U.S. Cl.**
USPC **D30/106**

(58) **Field of Classification Search**
USPC D30/101-107; D23/209-210, 316
CPC F04F 10/00; A01K 63/006; A01K 63/045;
A01K 63/003

See application file for complete search history.

(56) **References Cited**

U.S. PATENT DOCUMENTS

3,321,081 A	5/1967	Willinger	
3,783,888 A	1/1974	Johnson	
D282,016 S *	12/1985	Chestnut	D30/106
5,269,338 A *	12/1993	Figas	F04F 10/00 119/245
5,919,359 A	7/1999	Bisseker	
6,051,132 A	4/2000	Flores	
6,945,267 B1 *	9/2005	Tedona	F04F 10/00 137/143

9,357,753 B1 *	6/2016	Tutewohl	A01K 63/045
10,588,296 B1 *	3/2020	Rimer	A01K 63/045
D919,192 S *	5/2021	Li	D30/106
2015/0338009 A1 *	11/2015	Huang	A01K 63/045 137/123
2015/0377256 A1	12/2015	Liu et al.	

* cited by examiner

Primary Examiner — Wan Laymon

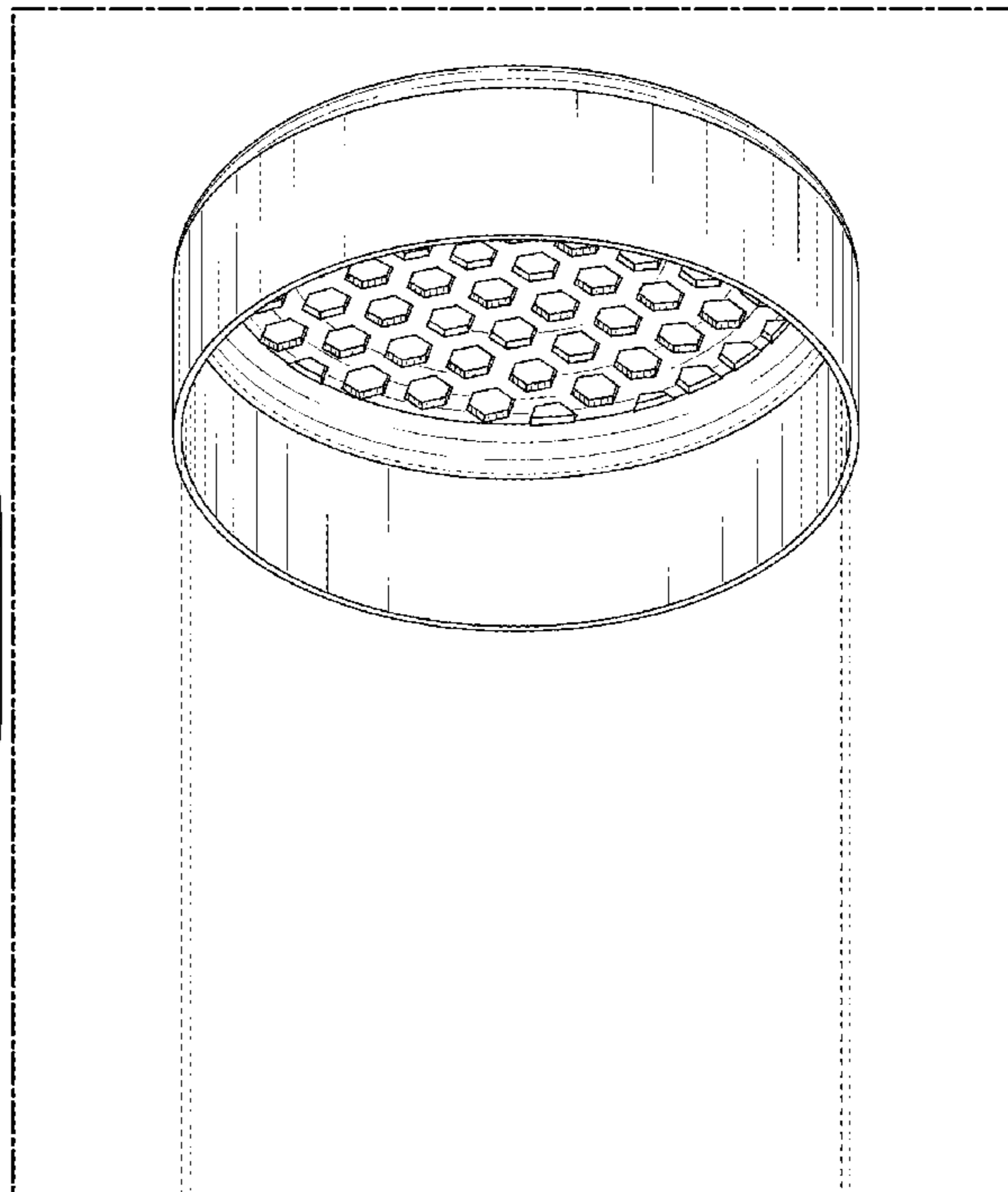
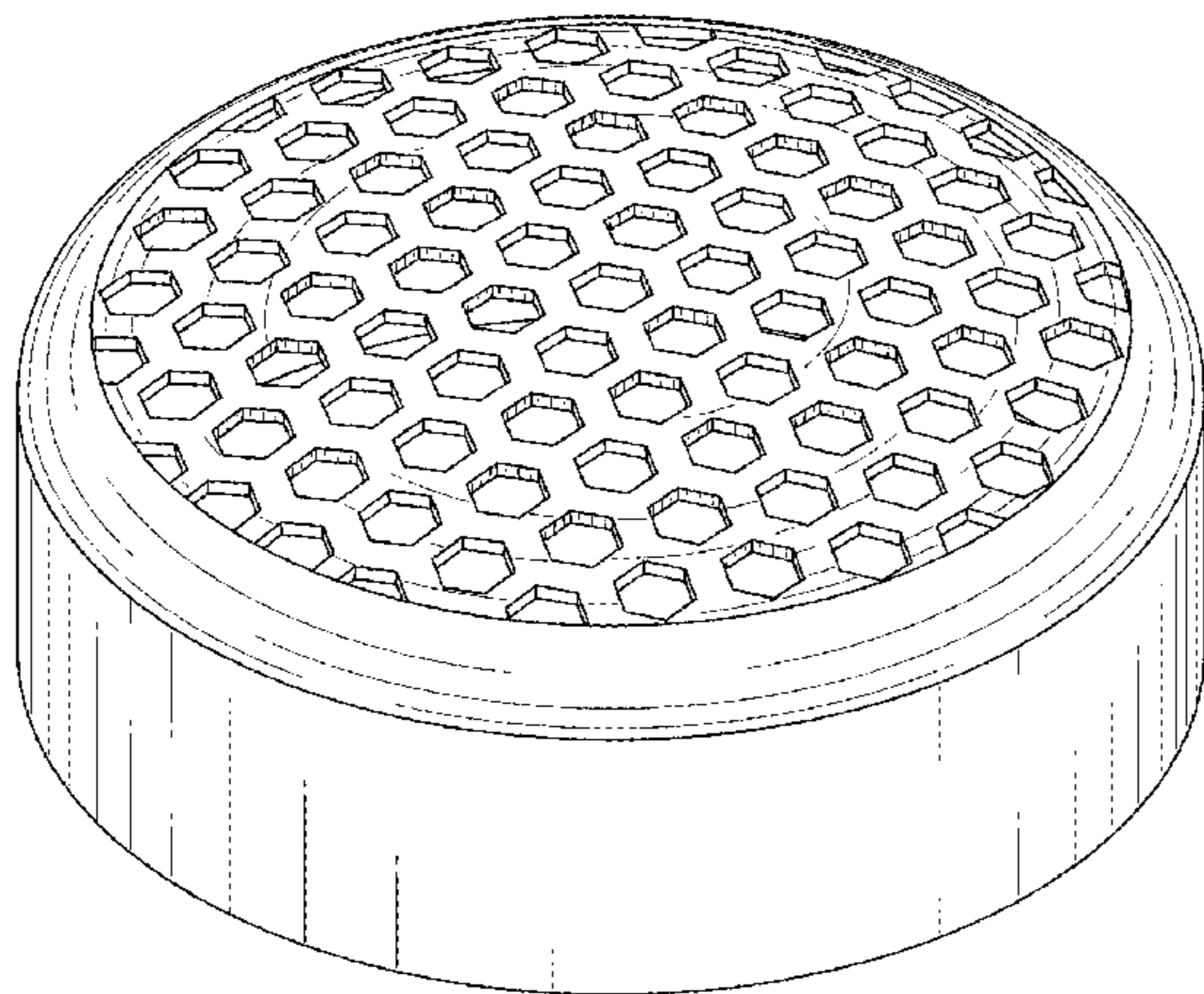
(57) **CLAIM**

The ornamental design for a safety cap for fish-tank siphon, as shown and described.

DESCRIPTION

FIG. 1 is a top perspective view of a safety cap for fish-tank siphon showing my new design;
 FIG. 2 is a bottom perspective view thereof;
 FIG. 3 is a front elevated view thereof;
 FIG. 4 is a rear elevated view thereof;
 FIG. 5 is a top plan view thereof;
 FIG. 6 is a bottom plan view thereof;
 FIG. 7 is a right elevated view thereof;
 FIG. 8 is a left elevated view thereof;
 FIG. 9 is a reduced top perspective view thereof, showing the safety cap for fish-tank siphon attached to a transparent siphon; and,
 FIG. 10 is a reduced bottom perspective view thereof, showing the safety cap for fish-tank siphon attached to the transparent siphon.
 The broken lines showing of a transparent siphon in FIGS. 9-10 are included for the purpose of showing environmental structure and form no part of the claimed design.

1 Claim, 10 Drawing Sheets



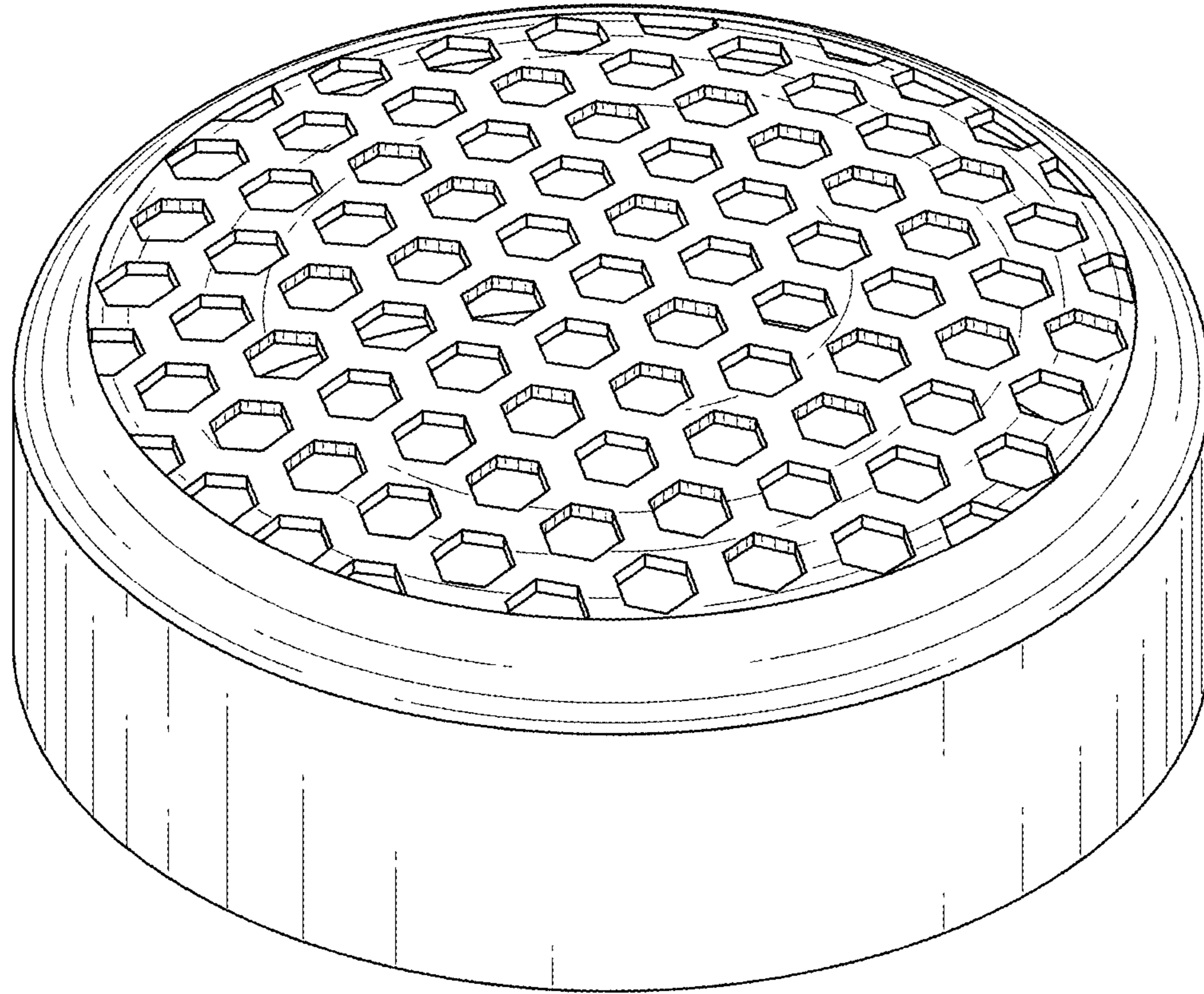


FIG. 1

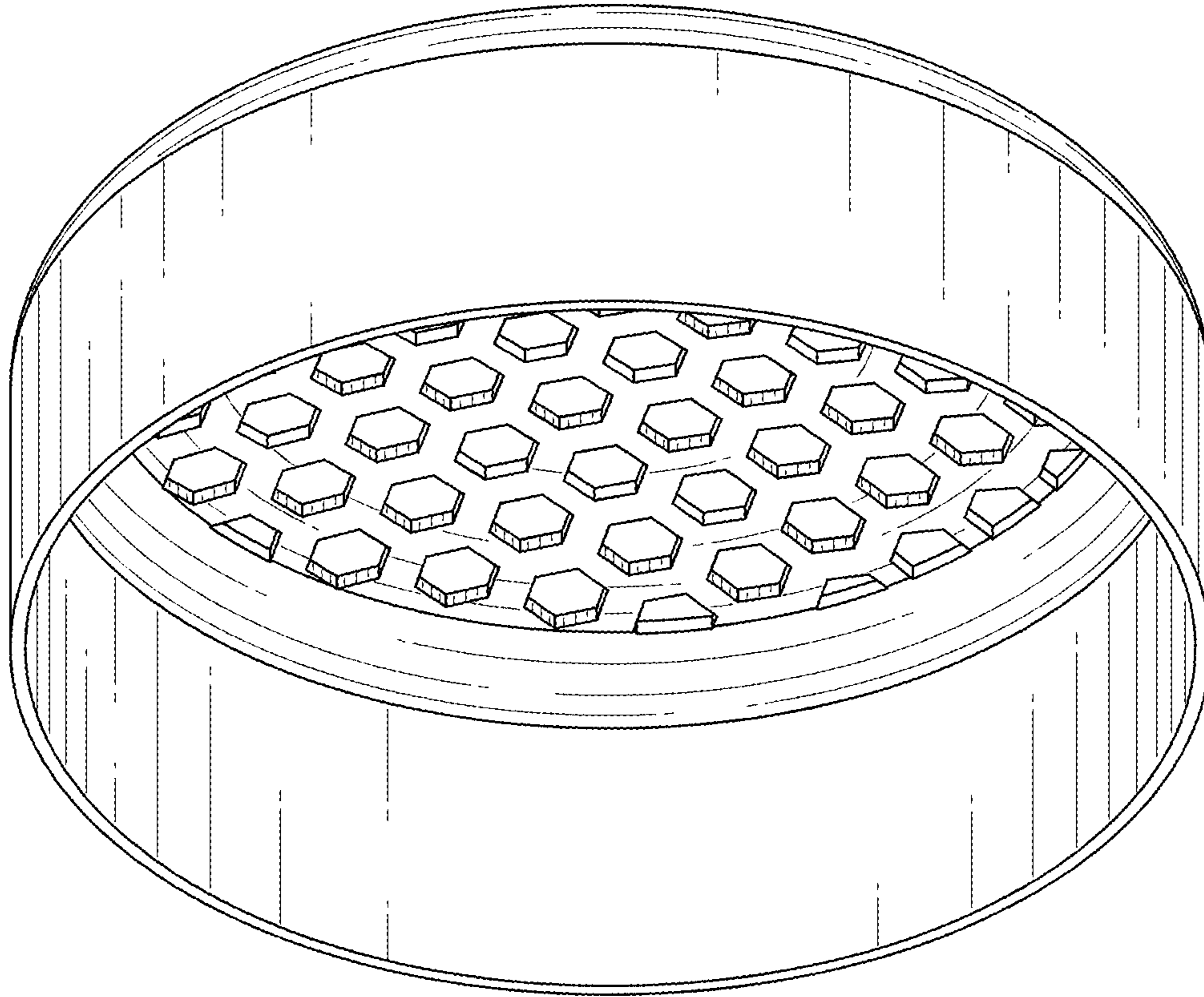


FIG. 2

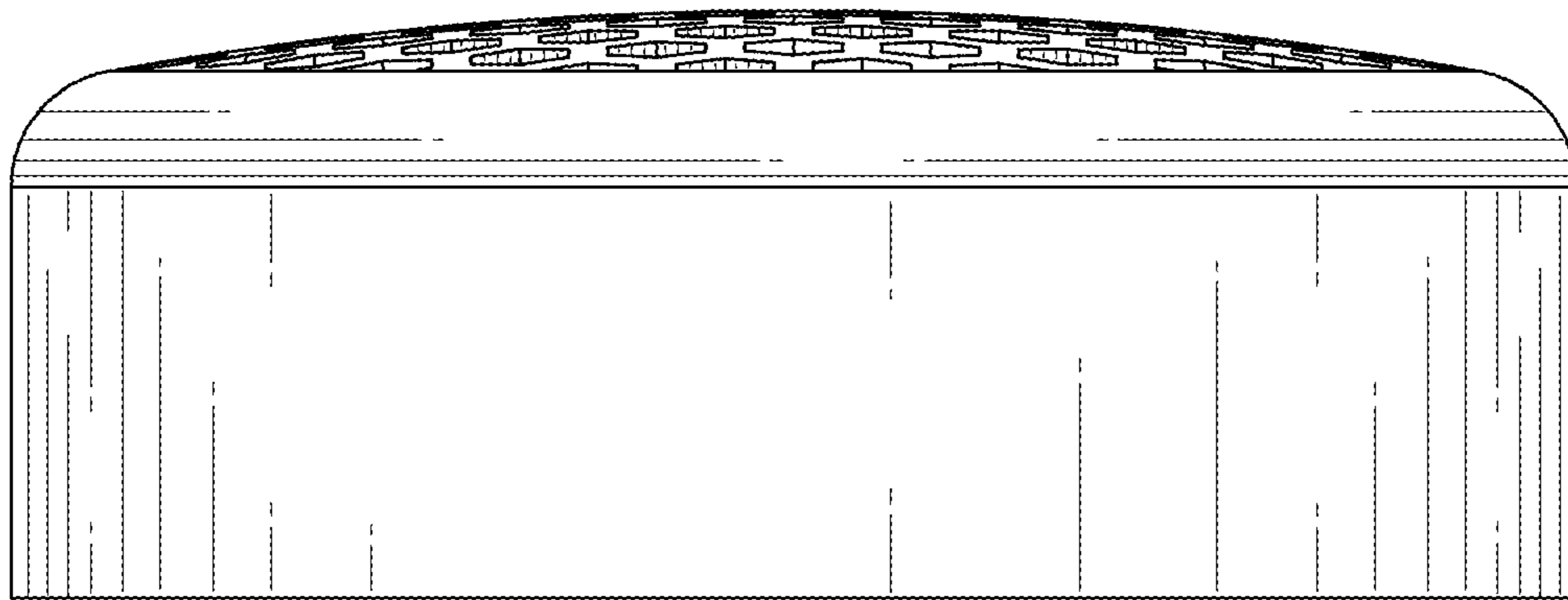


FIG. 3

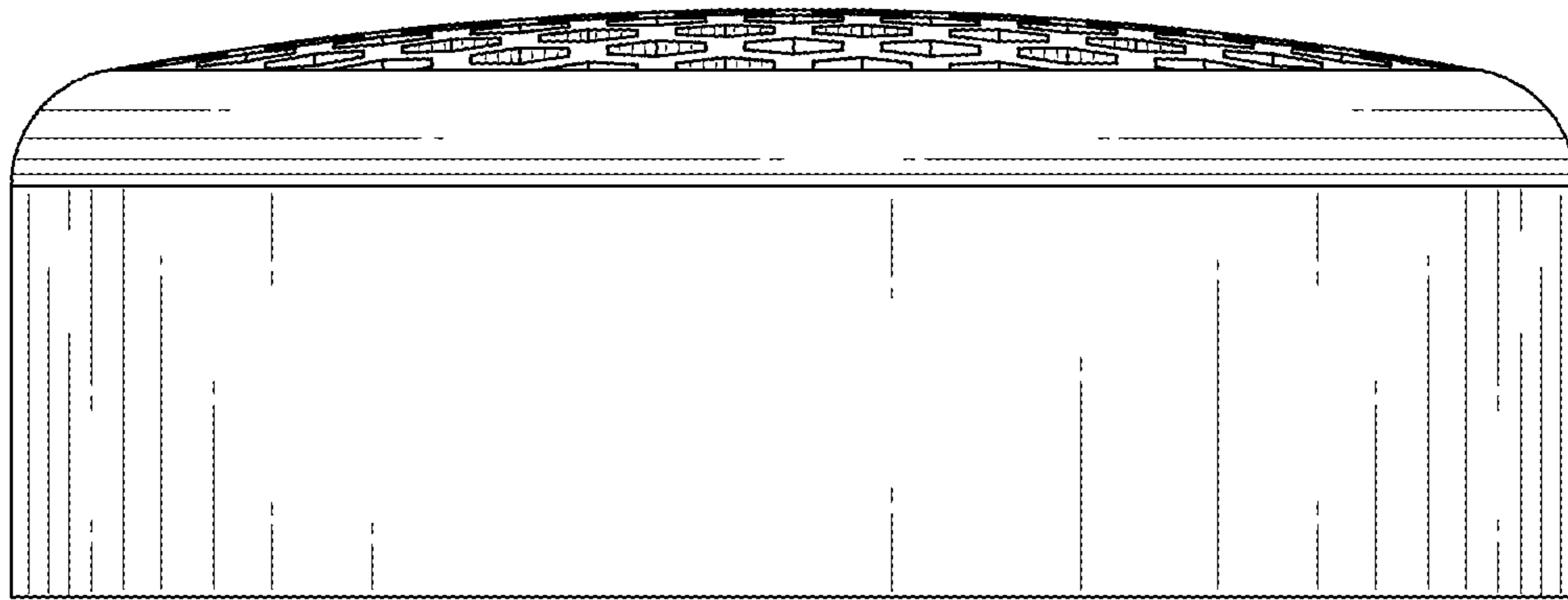


FIG. 4

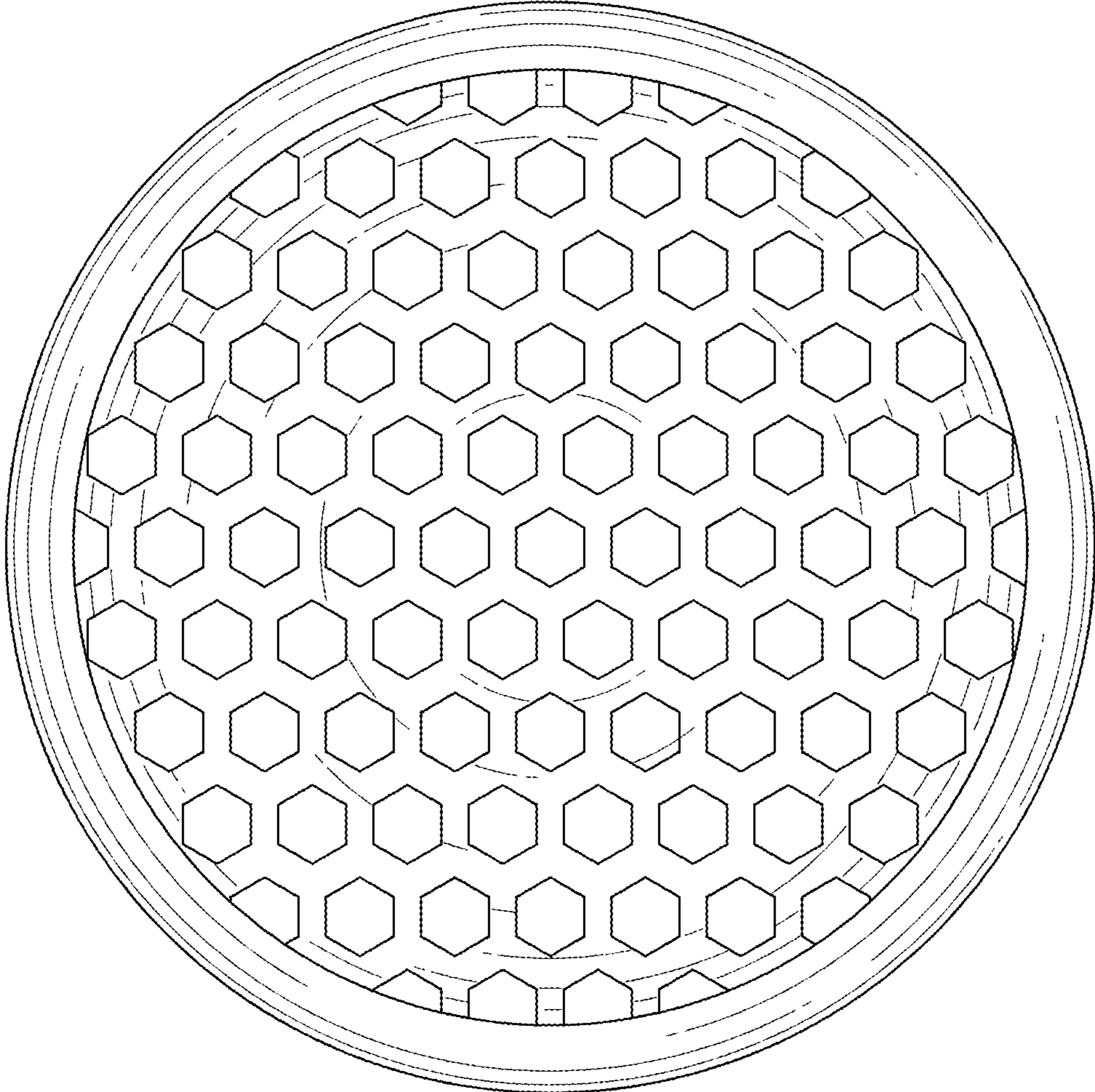


FIG. 5

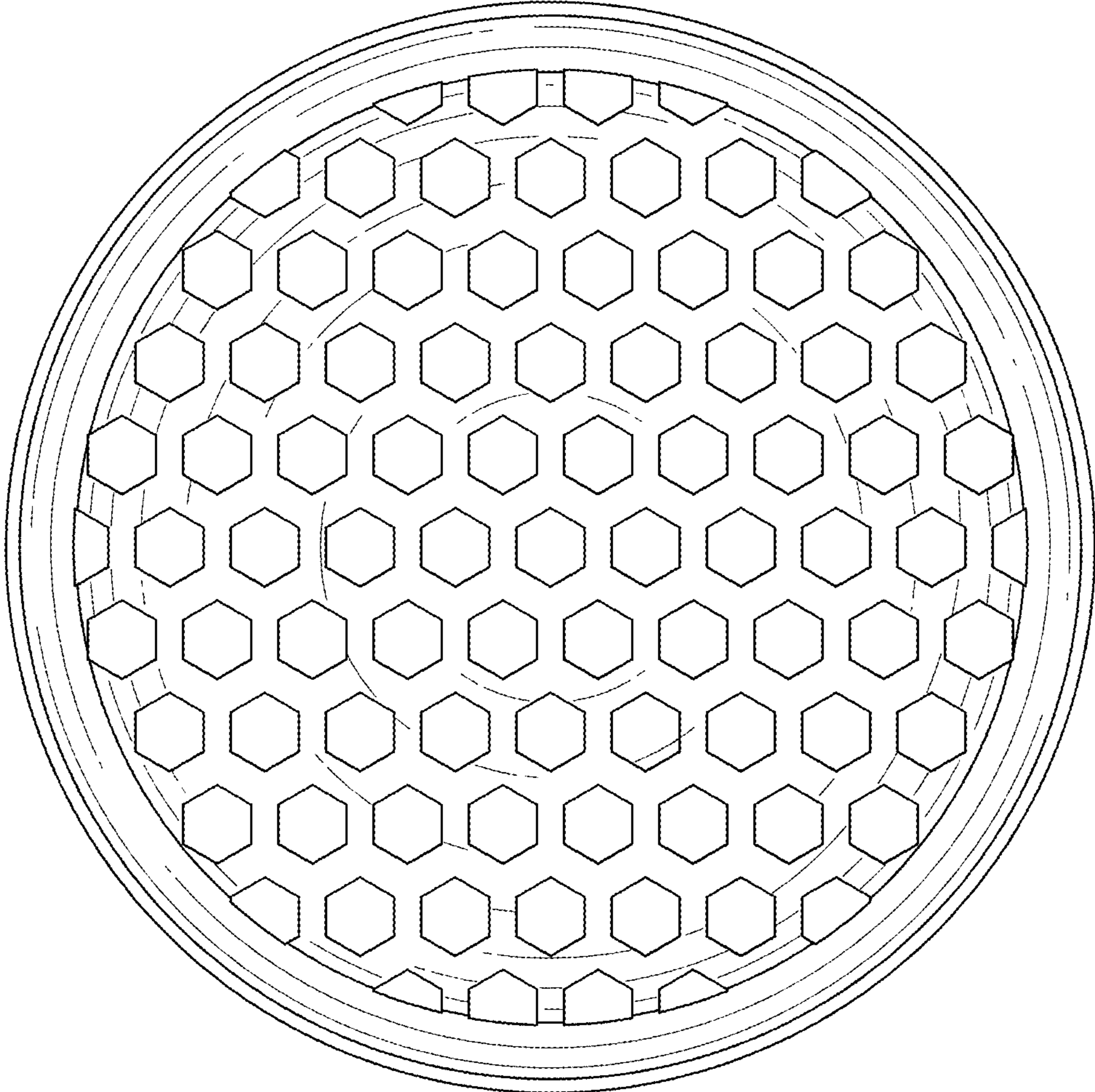


FIG. 6

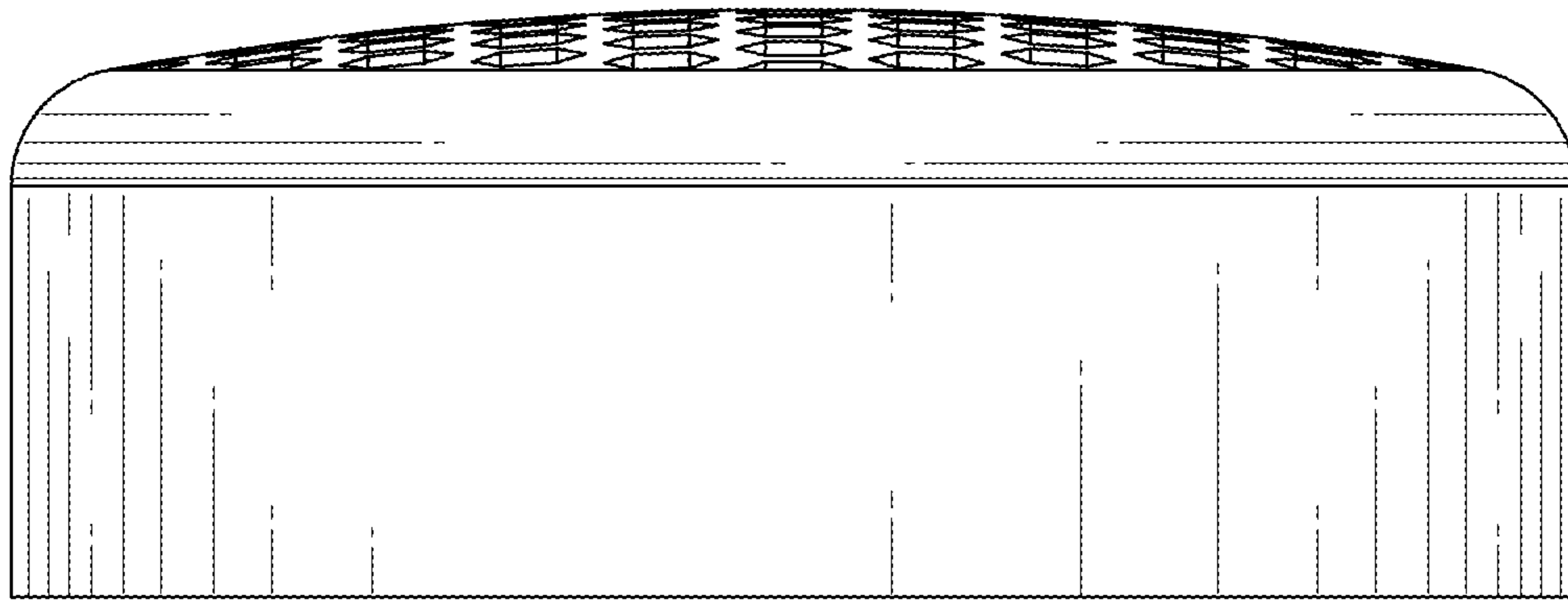


FIG. 7

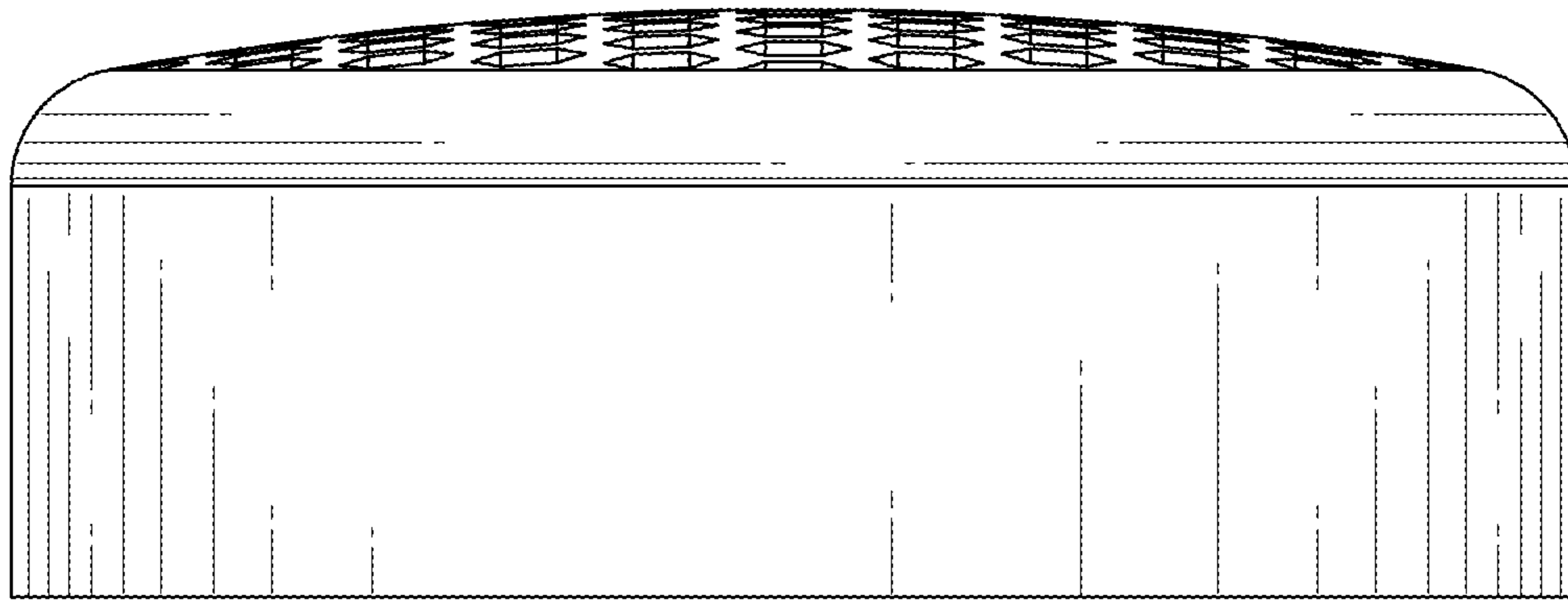


FIG. 8

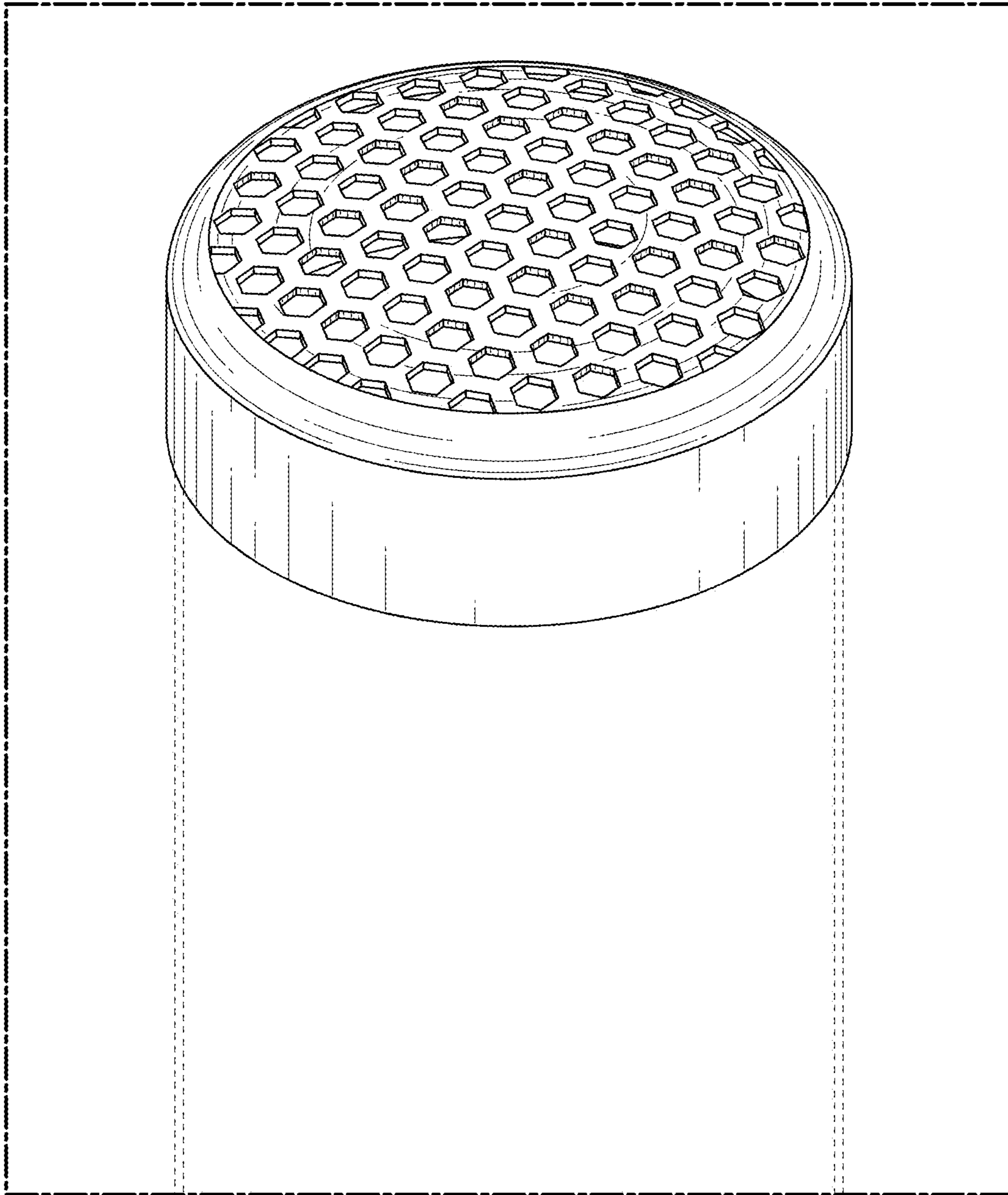


FIG. 9

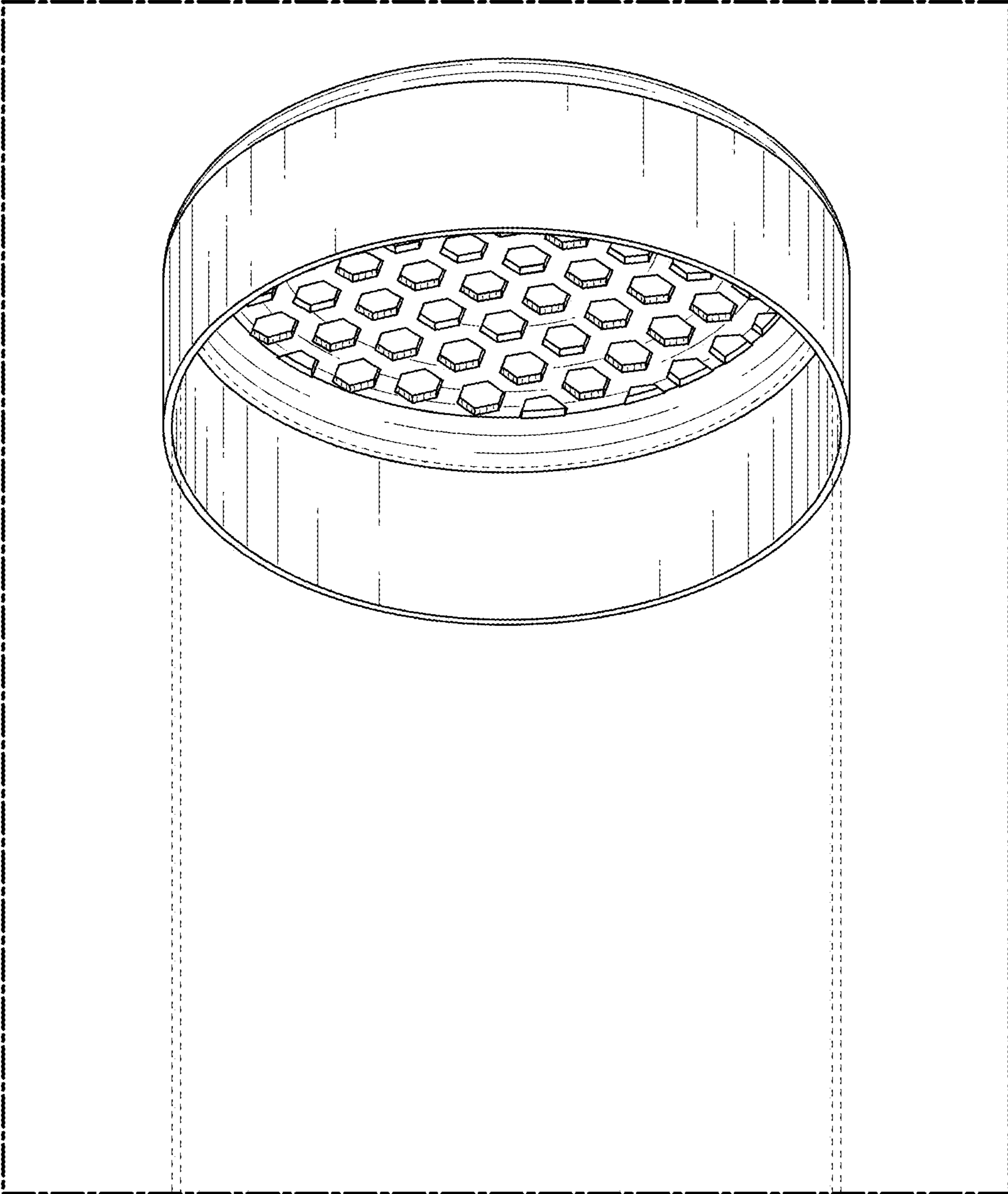


FIG. 10