



US00D963954S

(12) **United States Design Patent**
Luke

(10) **Patent No.:** **US D963,954 S**

(45) **Date of Patent:** **** Sep. 13, 2022**

(54) **HOCKEY HELMET MASK**

(71) Applicant: **Larry Luke**, Loveland, CO (US)

(72) Inventor: **Larry Luke**, Loveland, CO (US)

(**) Term: **15 Years**

(21) Appl. No.: **29/727,830**

(22) Filed: **Mar. 13, 2020**

(51) **LOC (13) Cl.** **29-02**

(52) **U.S. Cl.**
USPC **D29/111; D29/122**

(58) **Field of Classification Search**
USPC D29/108, 111, 122
CPC A42B 3/18; A42B 3/20; A63B 71/10
See application file for complete search history.

(56) **References Cited**

U.S. PATENT DOCUMENTS

3,263,236	A *	8/1966	Humphrey	A42B 3/20	2/9
4,021,858	A *	5/1977	Neeld	A42B 3/08	2/9
4,363,140	A *	12/1982	Correale	A42B 3/20	2/9
D289,568	S *	4/1987	Nimmons	D29/111	
D298,868	S *	12/1988	Klindt	D29/111	
4,985,938	A *	1/1991	Snow, Jr.	A42B 3/20	2/424
4,999,856	A *	3/1991	DuVall	A42B 3/20	2/9
5,675,875	A *	10/1997	Servatius	F16B 19/00	2/9
5,893,174	A *	4/1999	Primeau	A42B 3/20	2/9
5,963,990	A *	10/1999	White	A42B 3/20	2/9
6,292,954	B1 *	9/2001	O'Bradaigh	A42B 3/20	2/9
6,298,483	B1 *	10/2001	Schiebl	A42B 3/08	2/9
6,499,139	B1 *	12/2002	Brown	A63B 71/10	2/9

(Continued)

OTHER PUBLICATIONS

<https://hockeyfaceshields.com/> (Crystal Clear, Tough As Nails and Great Looking) by Boulder Hockey Shield Co. (Last viewed on Feb. 26, 2020).

Primary Examiner — Kimberly Barnes

(74) *Attorney, Agent, or Firm* — Downs Rachlin Martin PLLC

(57) **CLAIM**

The ornamental design for a hockey helmet mask, as shown and described.

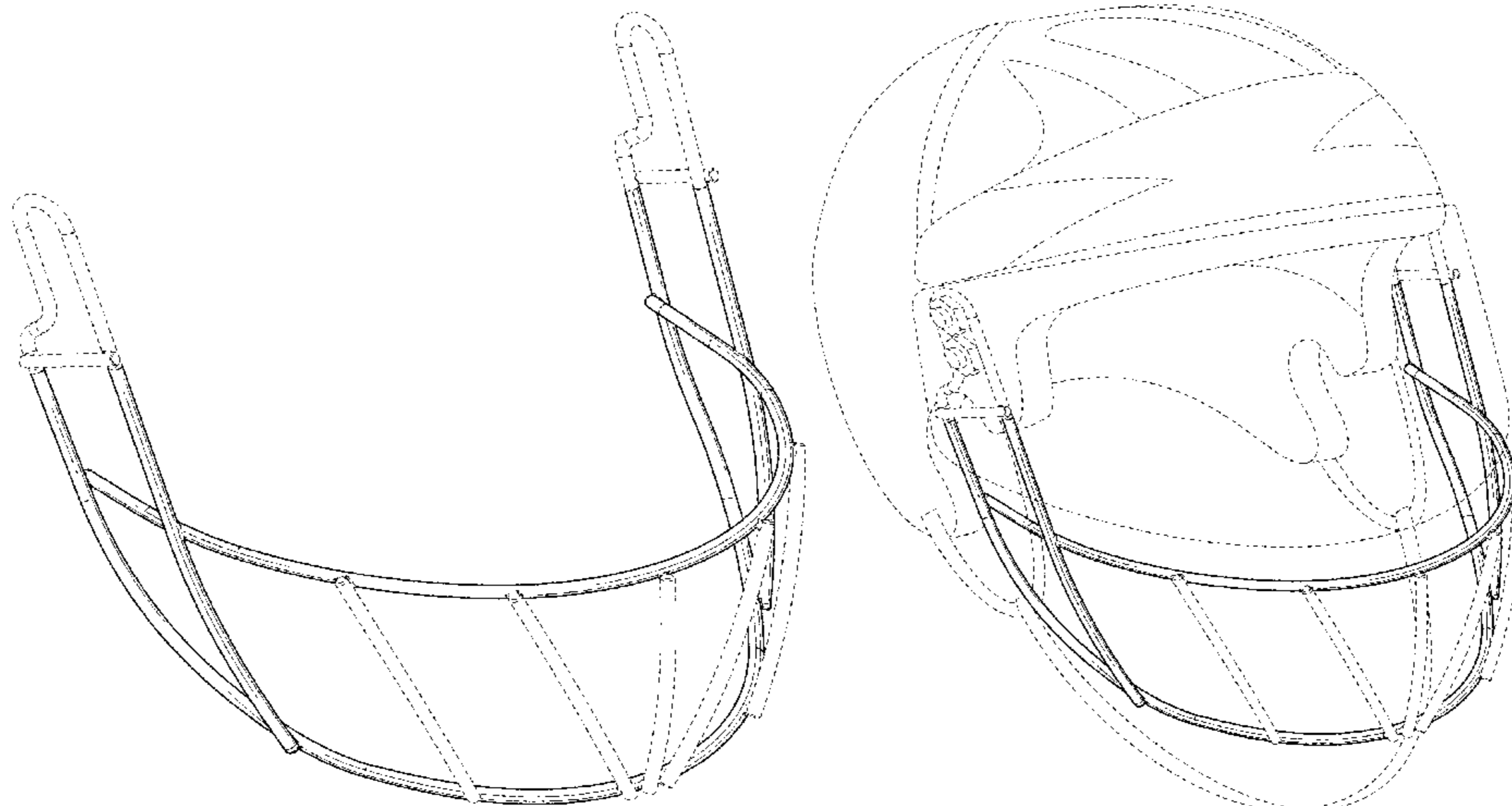
DESCRIPTION

FIG. 1 is a front perspective view of a hockey helmet mask showing my new design;
 FIG. 2 is a front view thereof;
 FIG. 3 is a rear view thereof;
 FIG. 4 is a side view thereof;
 FIG. 5 is a top view thereof;
 FIG. 6 is a bottom view thereof;
 FIG. 7 is a rear perspective view thereof; and,
 FIG. 8 is a front perspective view thereof showing a hockey helmet with a face shield and the hockey helmet mask attached to the hockey helmet.

The broken lines in the Figures are for the purpose of illustrating portions of the hockey helmet mask that form no part of the claimed design. The dot-dash line represents the boundary of the claim thereof. The broken lines in FIG. 8 depicting a hockey helmet and face shield represent environmental subject matter that forms no part of the claimed design.

The shade lines in the Figures show contour and not surface ornamentation.

1 Claim, 8 Drawing Sheets



(56)

References Cited

U.S. PATENT DOCUMENTS

6,708,339	B1 *	3/2004	Smith, Jr.	A42B 3/20 2/9
D517,250	S *	3/2006	Polstein	D29/122
7,328,462	B1 *	2/2008	Straus	A42B 3/20 2/411
D602,647	S *	10/2009	Polstein	D29/122
9,591,884	B2 *	3/2017	Jurga	A42B 3/20
D790,773	S *	6/2017	Tubbs	D29/111
10,632,360	B2 *	4/2020	Warmouth	A42B 3/105
2012/0210482	A1 *	8/2012	Polstein	A63B 71/10 2/9
2021/0204631	A1 *	7/2021	Pahlmeyer	A42B 3/20
2022/0053866	A1 *	2/2022	Baker	A42B 3/064

* cited by examiner

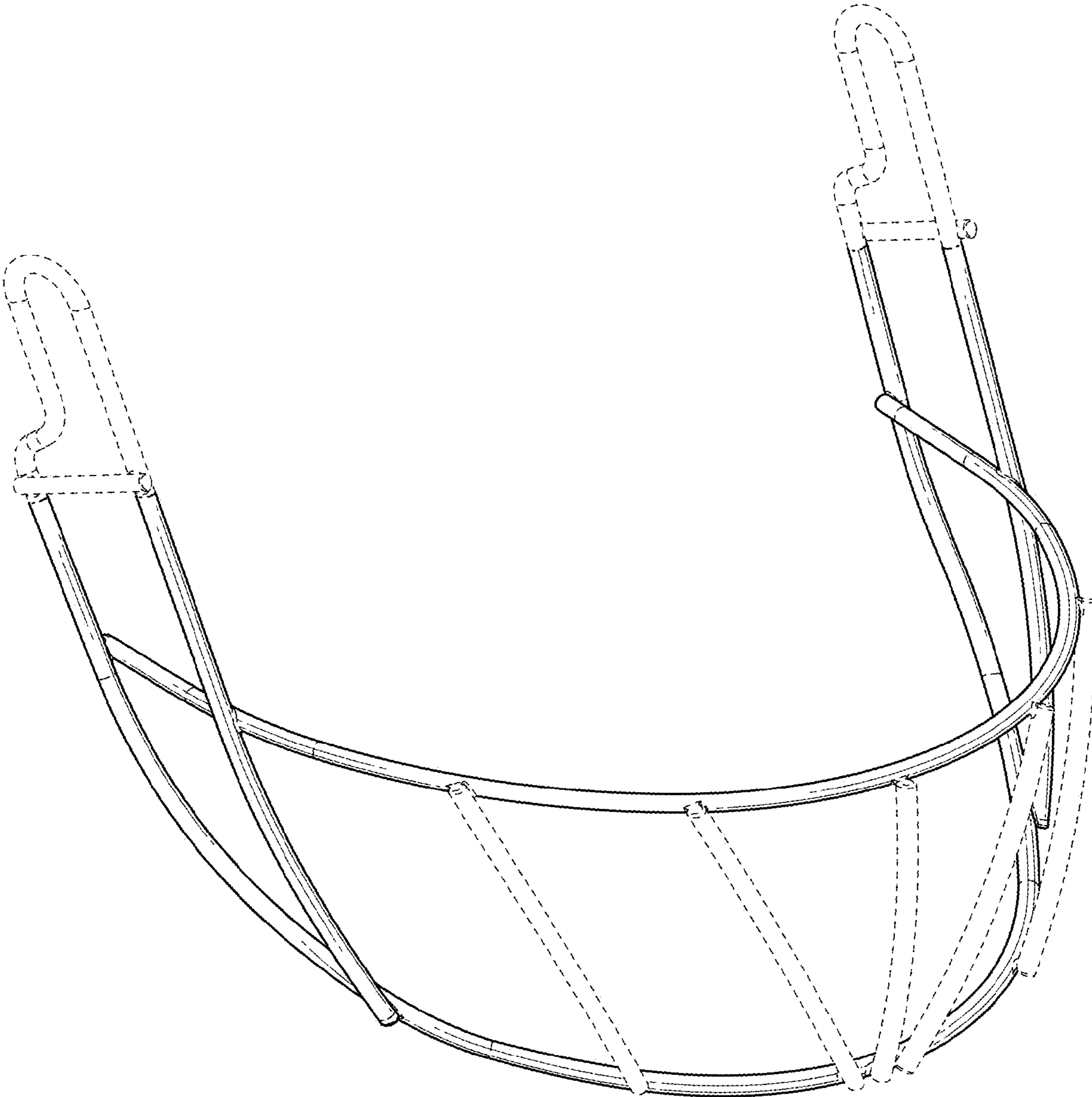


FIG. 1

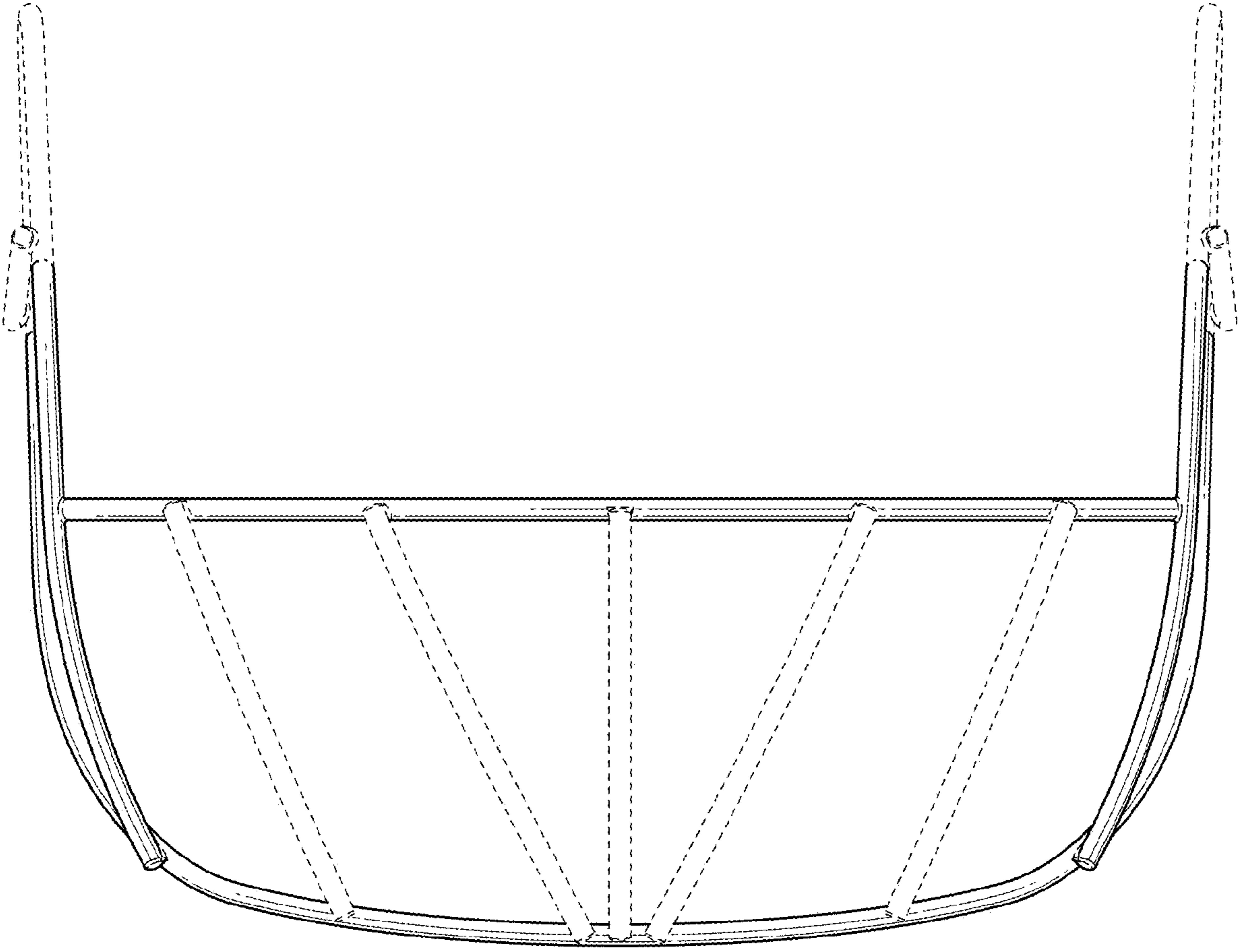


FIG. 2

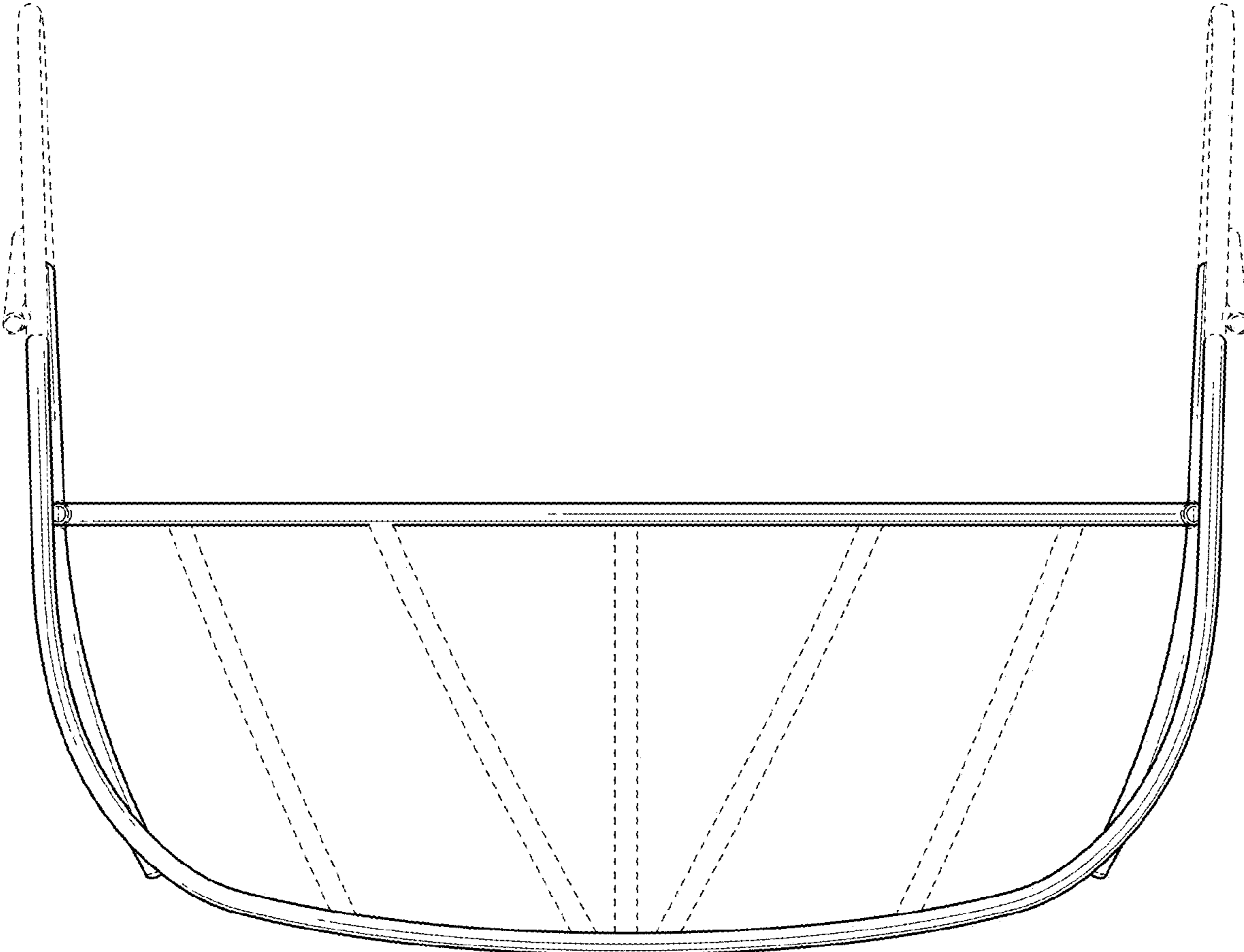


FIG. 3

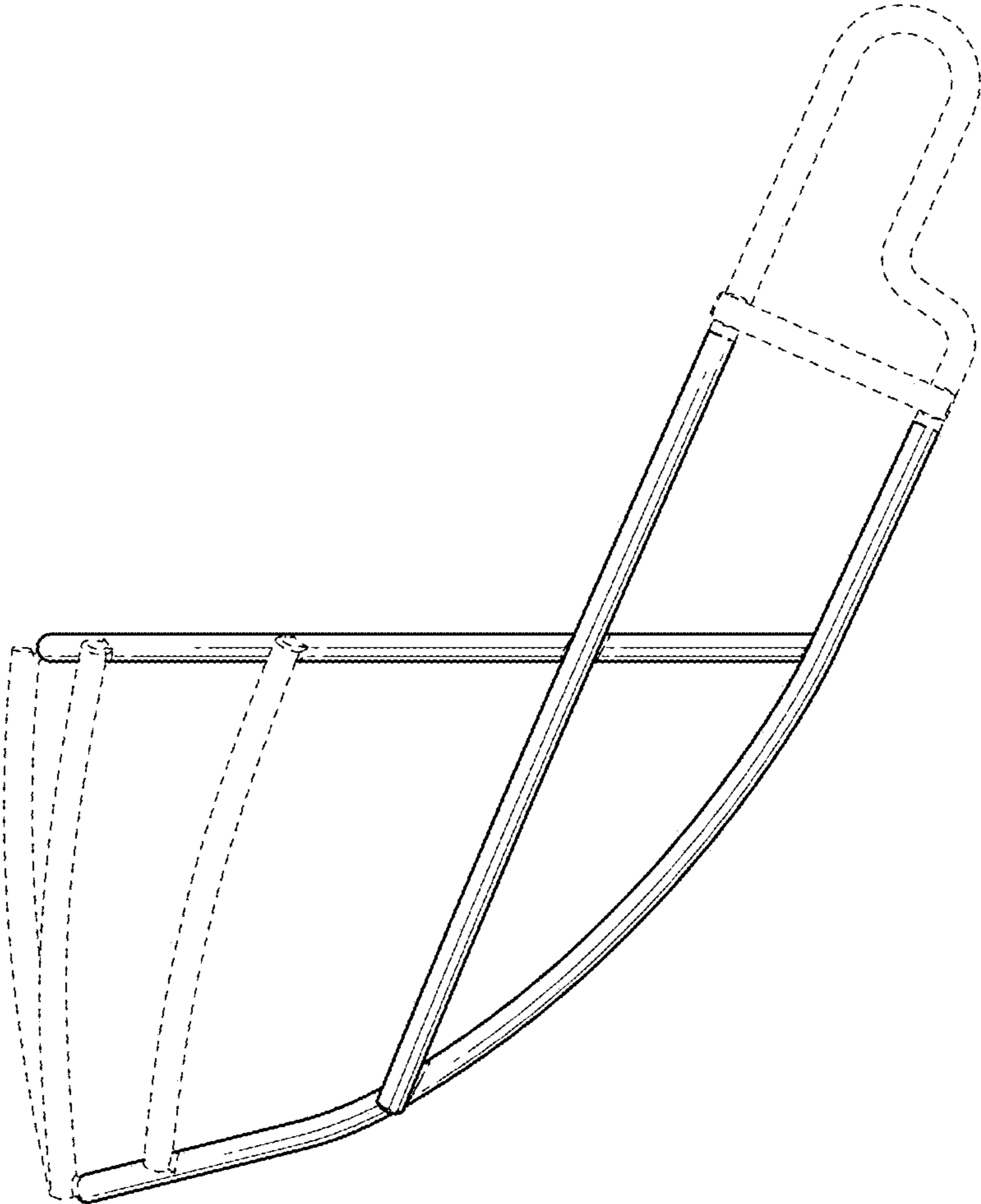


FIG. 4

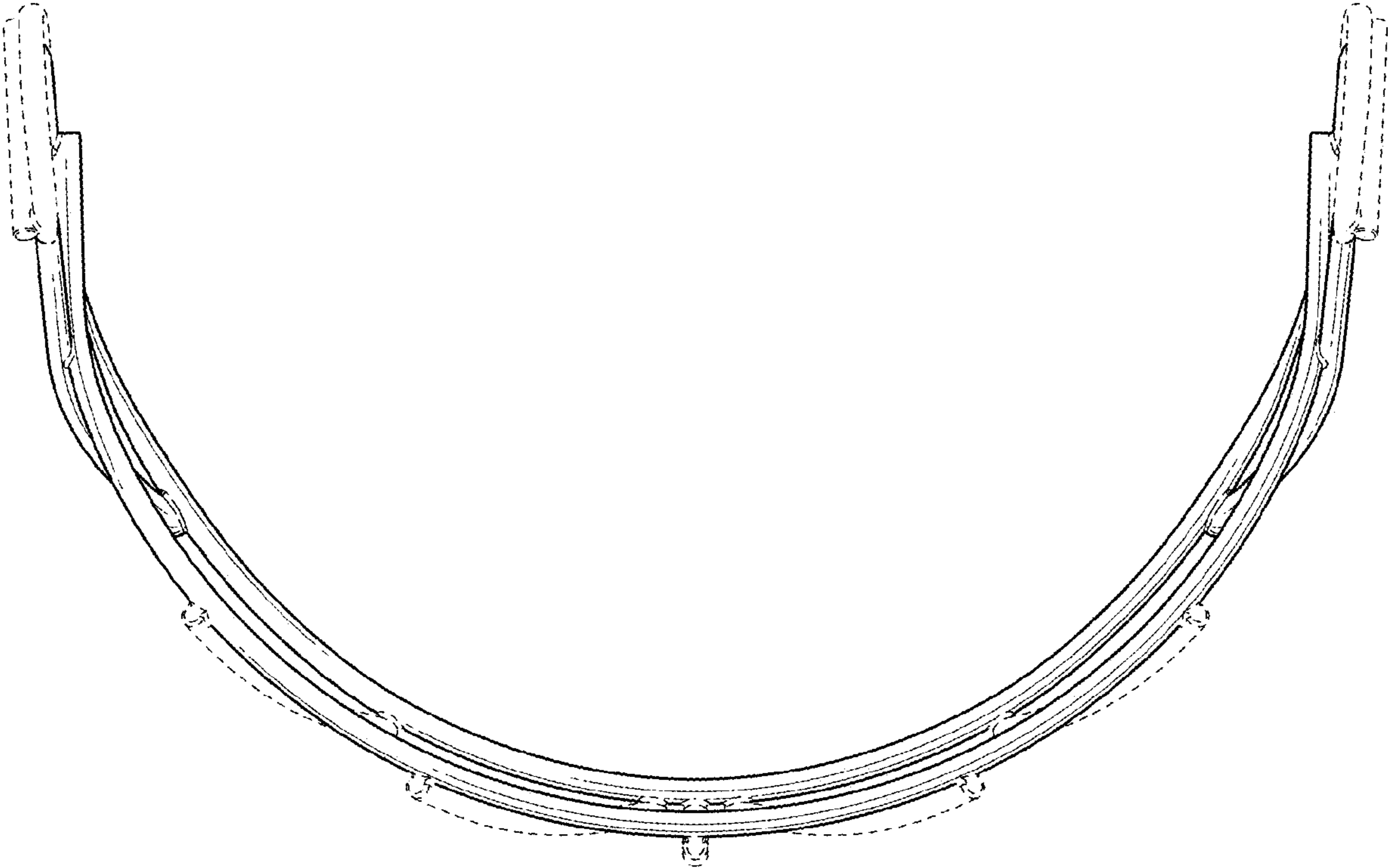


FIG. 5

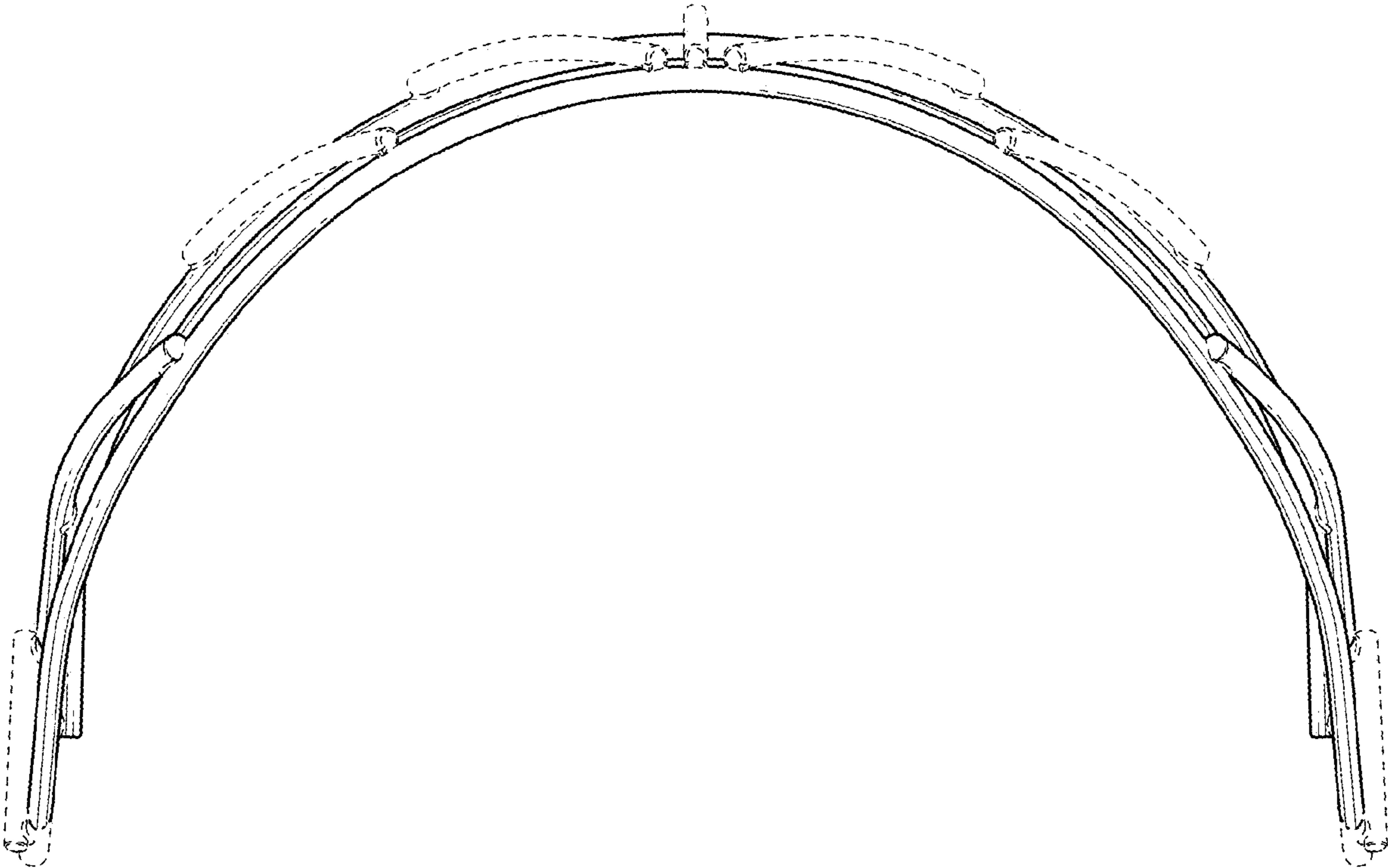


FIG. 6

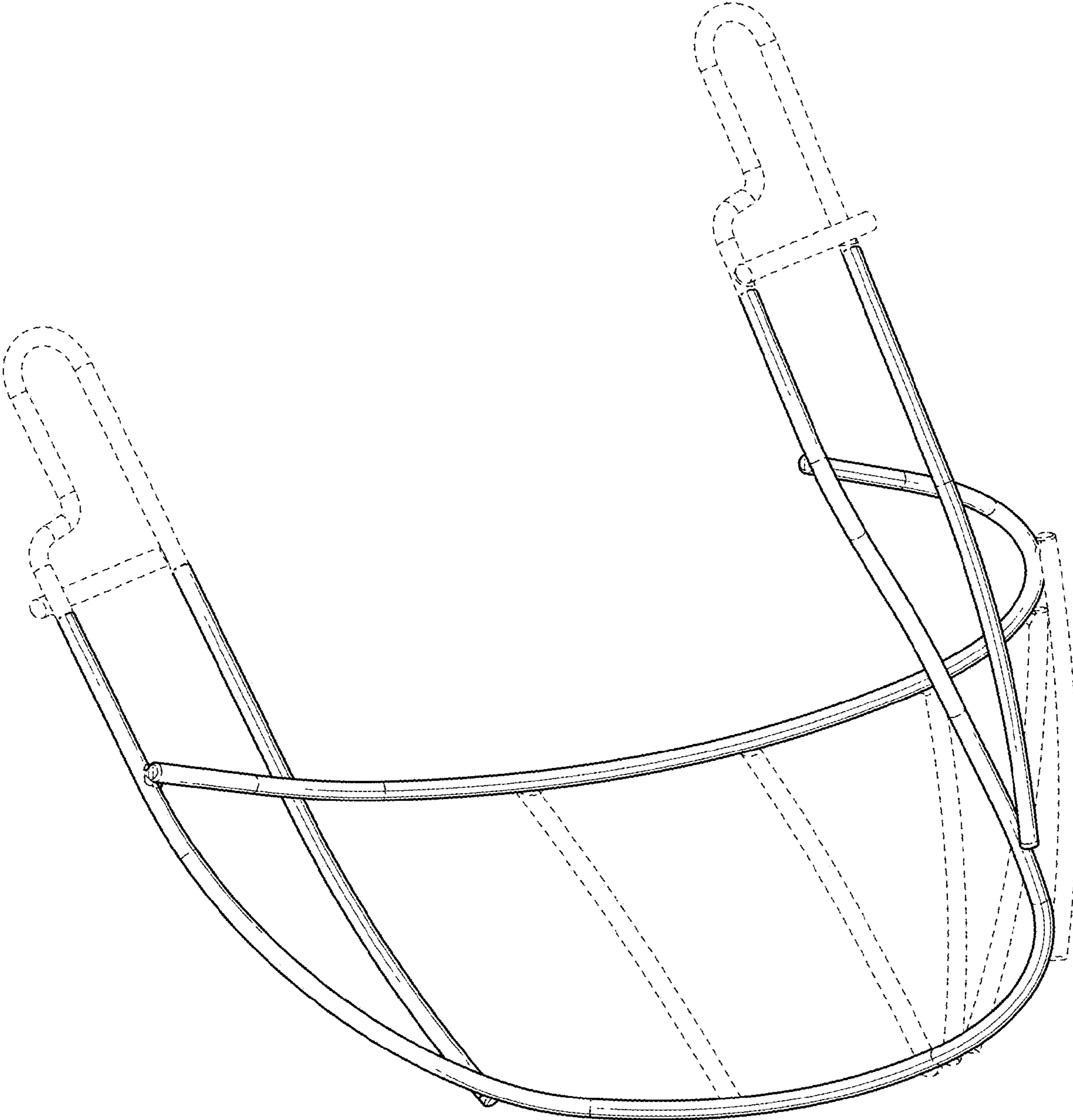


FIG. 7

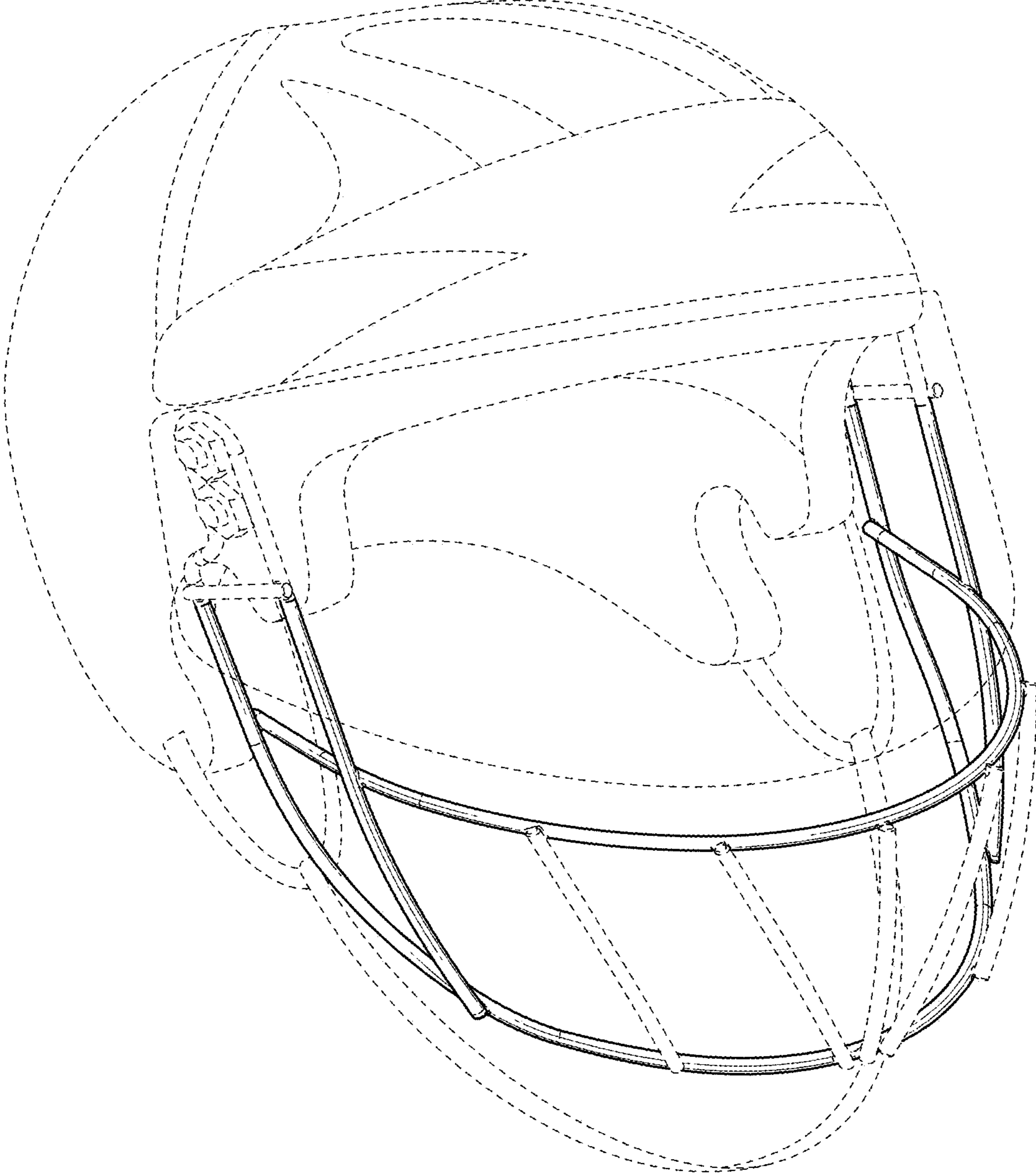


FIG. 8