



US00D963951S

(12) **United States Design Patent** (10) **Patent No.:** **US D963,951 S**
Franklin (45) **Date of Patent:** **** Sep. 13, 2022**

(54) **CAP SHIELD**

(71) Applicant: **Robert Franklin**, Fort Collins, CO
(US)

(72) Inventor: **Robert Franklin**, Fort Collins, CO
(US)

(**) Term: **15 Years**

(21) Appl. No.: **29/754,417**

(22) Filed: **Oct. 9, 2020**

(51) **LOC (13) Cl.** **29-02**

(52) **U.S. Cl.**
USPC **D29/108**

(58) **Field of Classification Search**

USPC D2/870, 872, 878; D29/100, 102, 103,
D29/104, 105, 106, 107, 108, 110, 122
CPC .. A41D 13/11; A42B 3/04; A42B 3/18; A42B
3/20; A42B 3/185; A42B 3/226; A42B
3/0406; A63B 71/08; A63B 71/10; A63B
2071/105; A61F 9/06; A61F 9/029
See application file for complete search history.

(56) **References Cited**

U.S. PATENT DOCUMENTS

3,594,816 A * 7/1971 Webb A42B 3/225
2/10
D291,256 S * 8/1987 Hollander D29/110
4,965,887 A * 10/1990 Paoluccio G02C 11/00
2/205

(Continued)

FOREIGN PATENT DOCUMENTS

JP D1236803 * 4/2005
KR 301033161 * 11/2019
WO D044902-001 * 10/1998

OTHER PUBLICATIONS

Fourth Arrow 10 Pack Hat Shield, available in Amazon.com, date
first available Jul. 15, 2020 [online], [site visited Jun. 1, 2022],

Available from the internet URL: <https://www.amazon.com/Shield-Dust-Proof-Face-Visor/dp/B08CZXZCL1?th=1> (Year: 2020).*

(Continued)

Primary Examiner — Jennifer L Rempfer
Assistant Examiner — Elizabeth Anne Glassberg
(74) *Attorney, Agent, or Firm* — Craig R. Miles; CR
Miles P.C.

(57) **CLAIM**

I claim the ornamental design for a cap shield, as shown and
described.

DESCRIPTION

FIG. 1 is an environmental perspective view of the cap
shield adapted to mount on a bill of a cap and extended and
rotated to cover the face of a cap wearer, embodying my new
design;

FIG. 2 is a front perspective view thereof;

FIG. 3 is a front elevation view thereof;

FIG. 4 is a back elevation view thereof;

FIG. 5 is a first side elevation view thereof;

FIG. 6 is a second side view thereof;

FIG. 7 is a top plan view thereof;

FIG. 8 is bottom plan view thereof;

FIG. 9 is an environmental perspective view of the cap
shield adapted to mount on a bill of a cap and retracted and
rotated to under the bill of a cap wearer;

FIG. 10 is a front perspective view thereof;

FIG. 11 is a front elevation view thereof;

FIG. 12 is back elevation view thereof;

FIG. 13 is first side elevation view thereof;

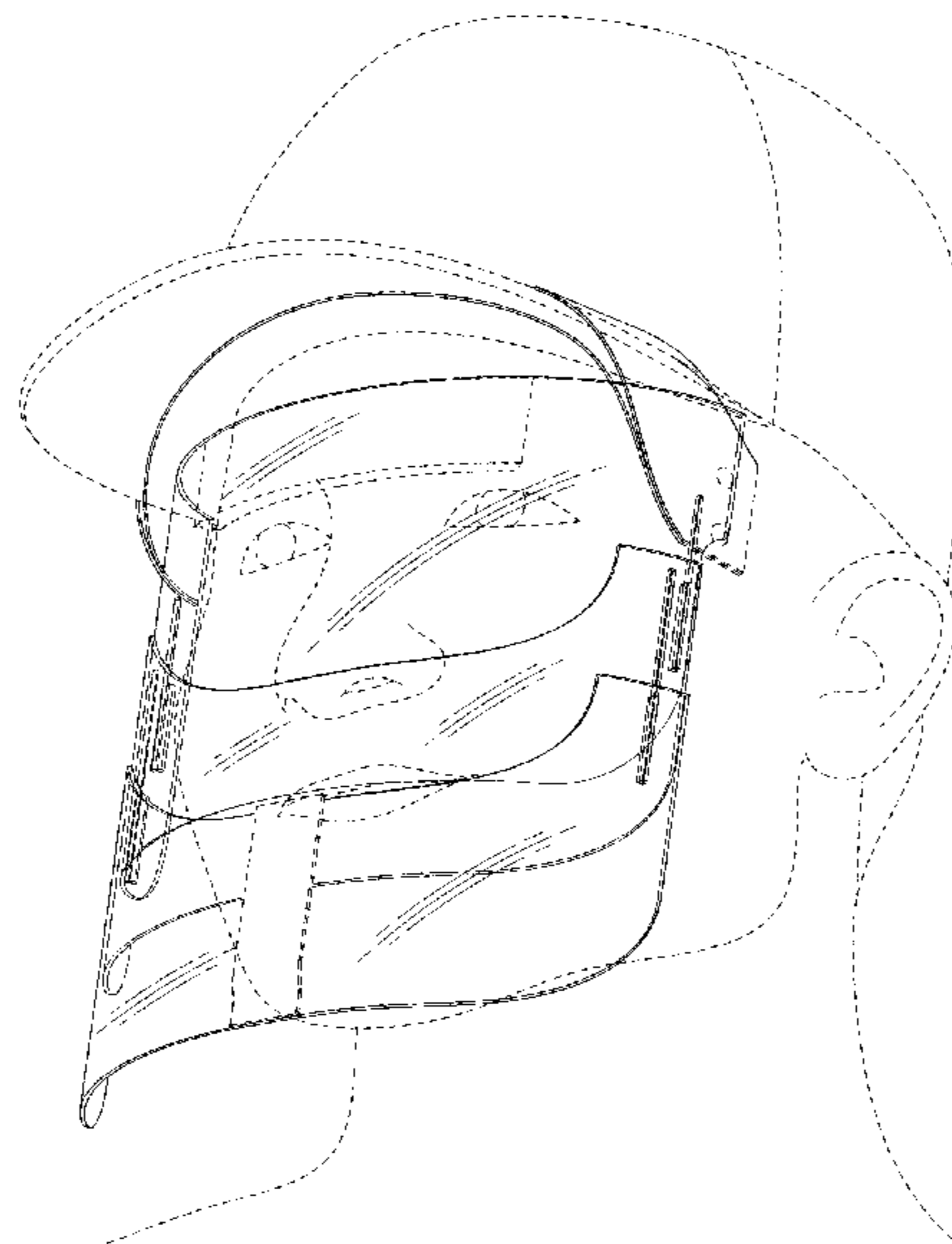
FIG. 14 is a second side elevation view thereof;

FIG. 15 is a top plan view thereof; and,

FIG. 16 is a bottom plan view thereof.

The broken lines shown are included for the purpose of
illustrating the unclaimed portions of the article and form no
part of the claim.

1 Claim, 12 Drawing Sheets



(56)

References Cited

U.S. PATENT DOCUMENTS

D318,147 S * 7/1991 Russell A41D 13/1184
D29/110
D354,589 S * 1/1995 Russell A41D 13/1184
D29/110
D361,160 S * 8/1995 Russell A41D 13/1184
D29/110
5,440,760 A * 8/1995 Highsmith A41D 13/11
128/857
D362,086 S * 9/1995 Russell A41D 13/1184
D29/110
5,471,679 A * 12/1995 Paoluccio G02C 11/00
2/9
5,682,606 A * 11/1997 Pospisil A41D 13/11
2/9
D404,849 S * 1/1999 Desy D29/110
5,970,514 A * 10/1999 Wang-Lee A42B 3/225
2/9
5,983,390 A * 11/1999 Desy A41D 13/1161
2/9
6,016,808 A * 1/2000 Landis A61F 9/045
2/9
D526,446 S * 8/2006 Cowan D29/109

D563,603 S * 3/2008 Huh D29/122
D568,545 S * 5/2008 Schaffner D29/110
D586,052 S * 2/2009 Elias D29/122
D710,433 S * 8/2014 Danner D16/330
D723,744 S * 3/2015 Pfanner D29/110
D732,242 S * 6/2015 Miller A41D 13/1184
D29/110
D866,128 S * 11/2019 McCann D2/891
2007/0220649 A1 * 9/2007 Huh A42B 3/226
2/9
2012/0047614 A1 * 3/2012 Choi A41D 13/1184
2/9
2014/0053307 A1 * 2/2014 Cheng A61F 9/06
2/8.2

OTHER PUBLICATIONS

Prime Manufacturers HatShield Flip Baseball Cap Face Shield, available in Amazon.com, date first available Sep. 22, 2020 [online], [site visited Jun. 1, 2022], Available from the internet URL: <https://www.amazon.com/Prime-Manufacturers-HatShield-Flip-Baseball/dp/B08JRXGP45> (Year: 2020).*

* cited by examiner

FIG. 1

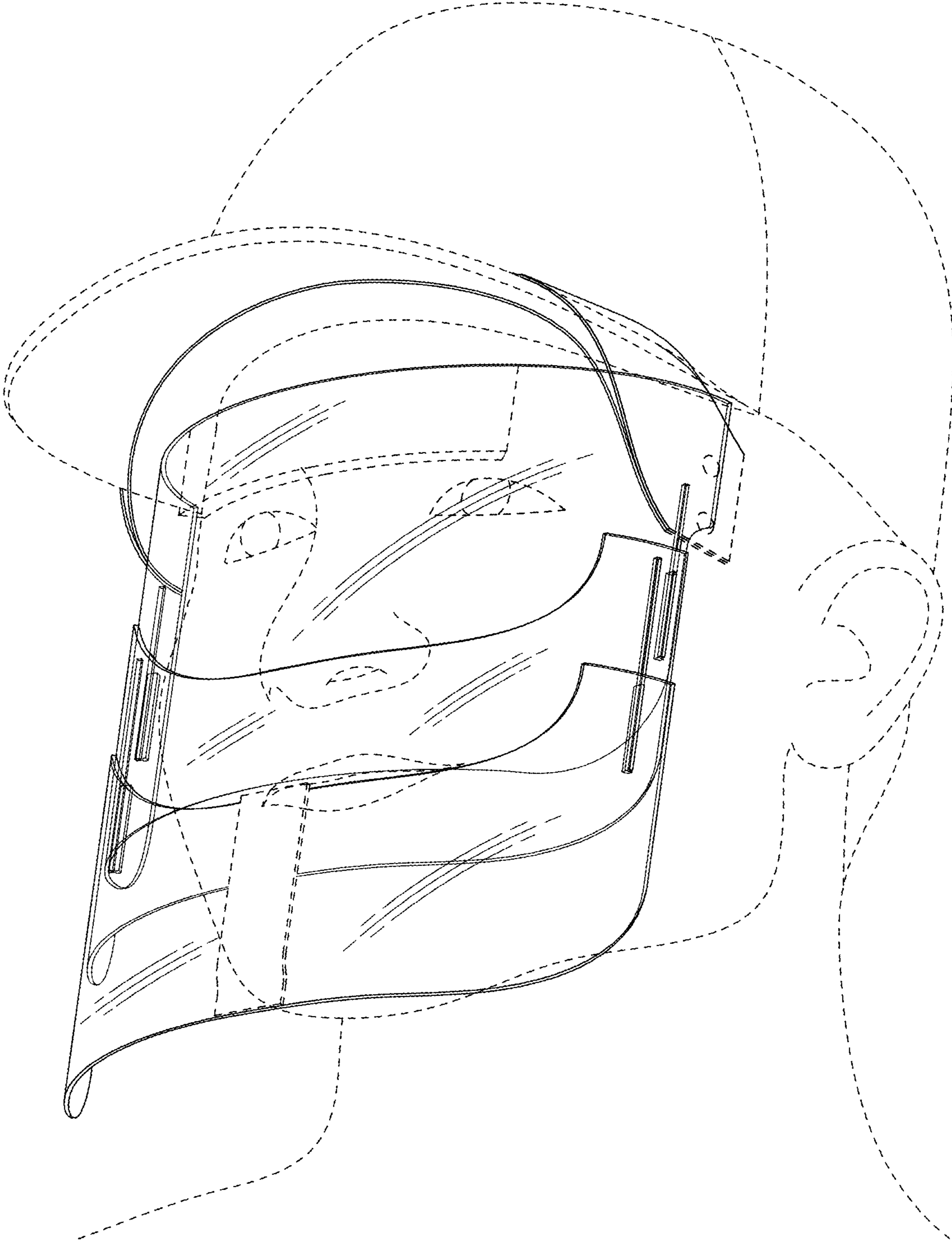


FIG. 2

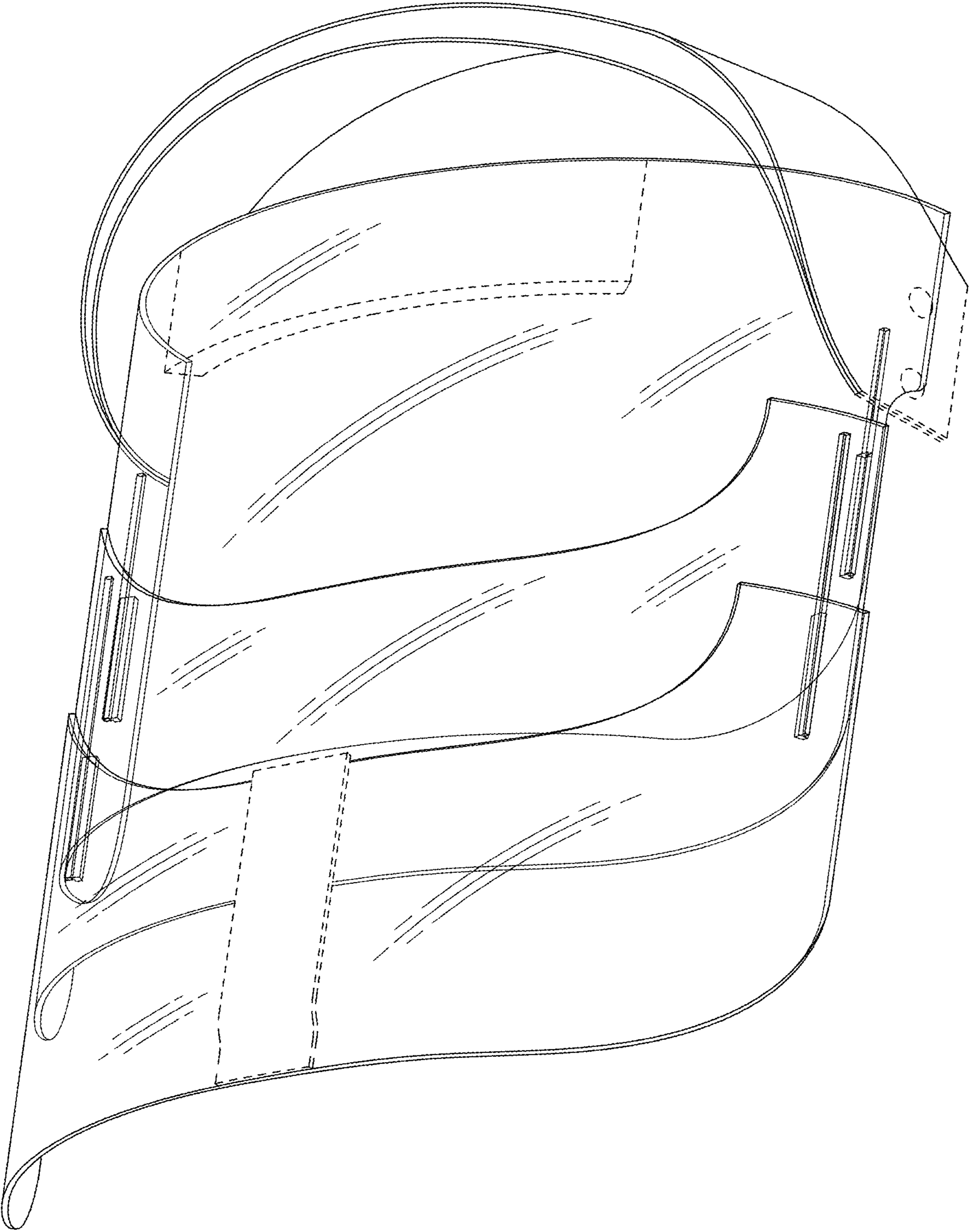


FIG. 3

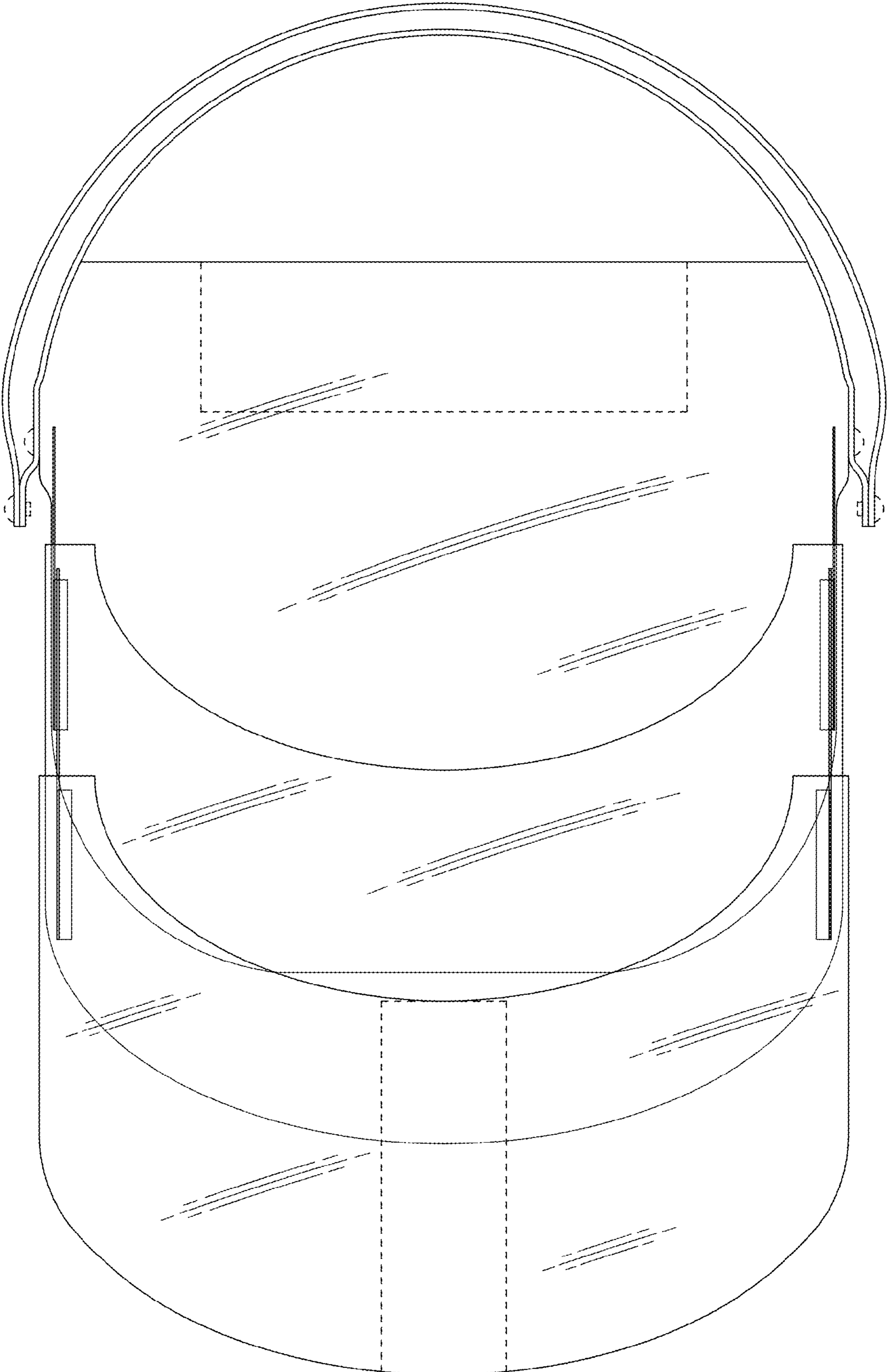


FIG. 4

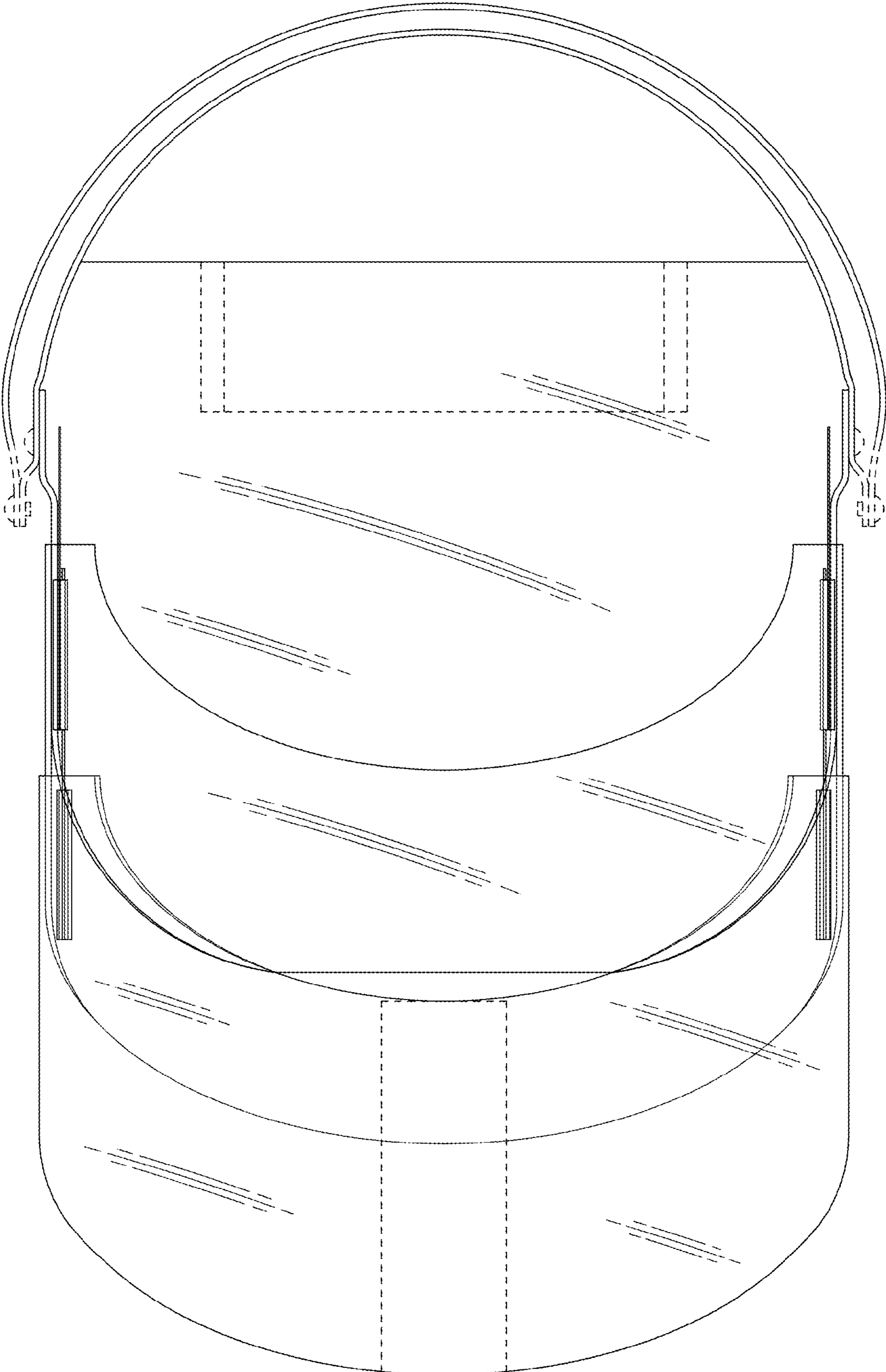


FIG. 5

FIG. 6

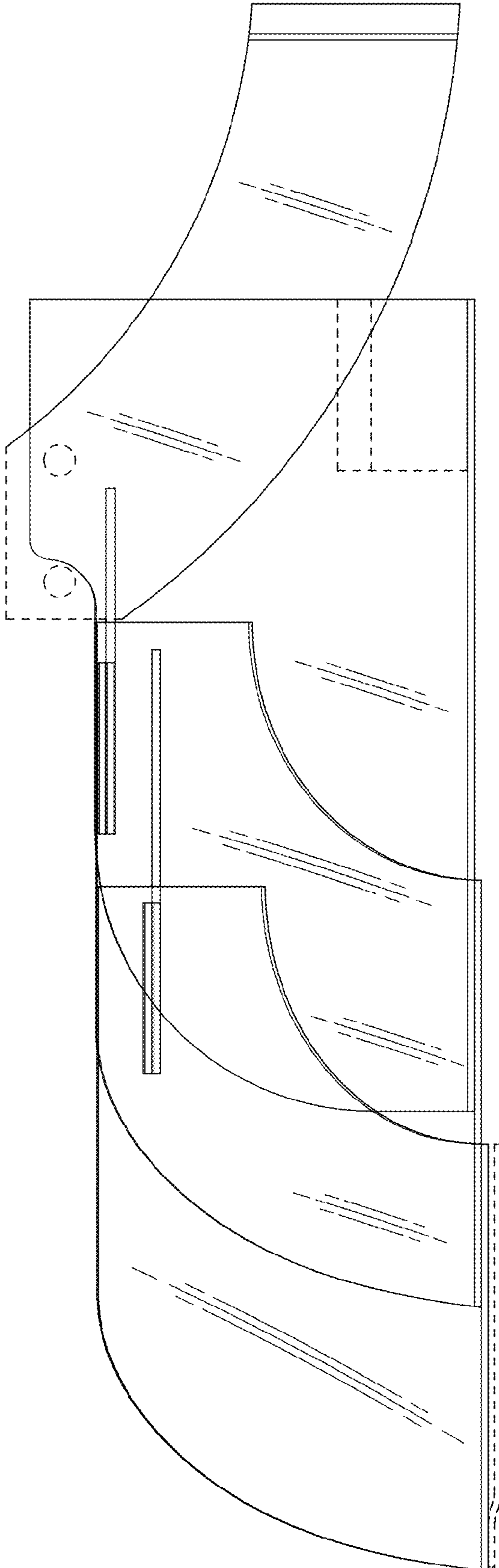
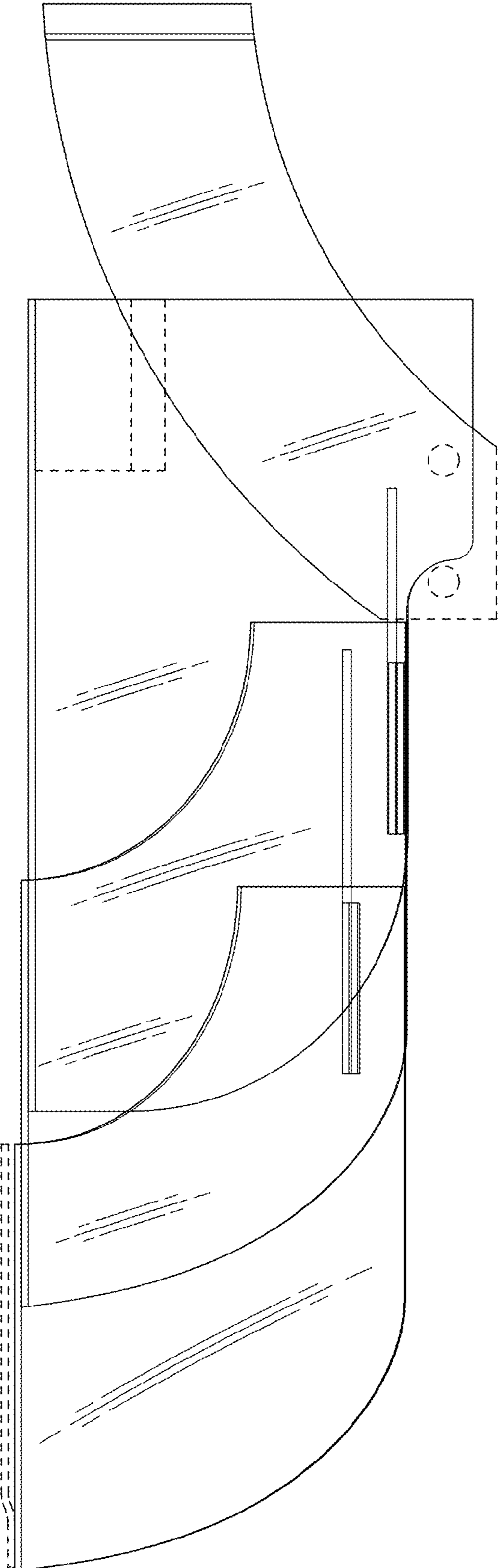


FIG. 7

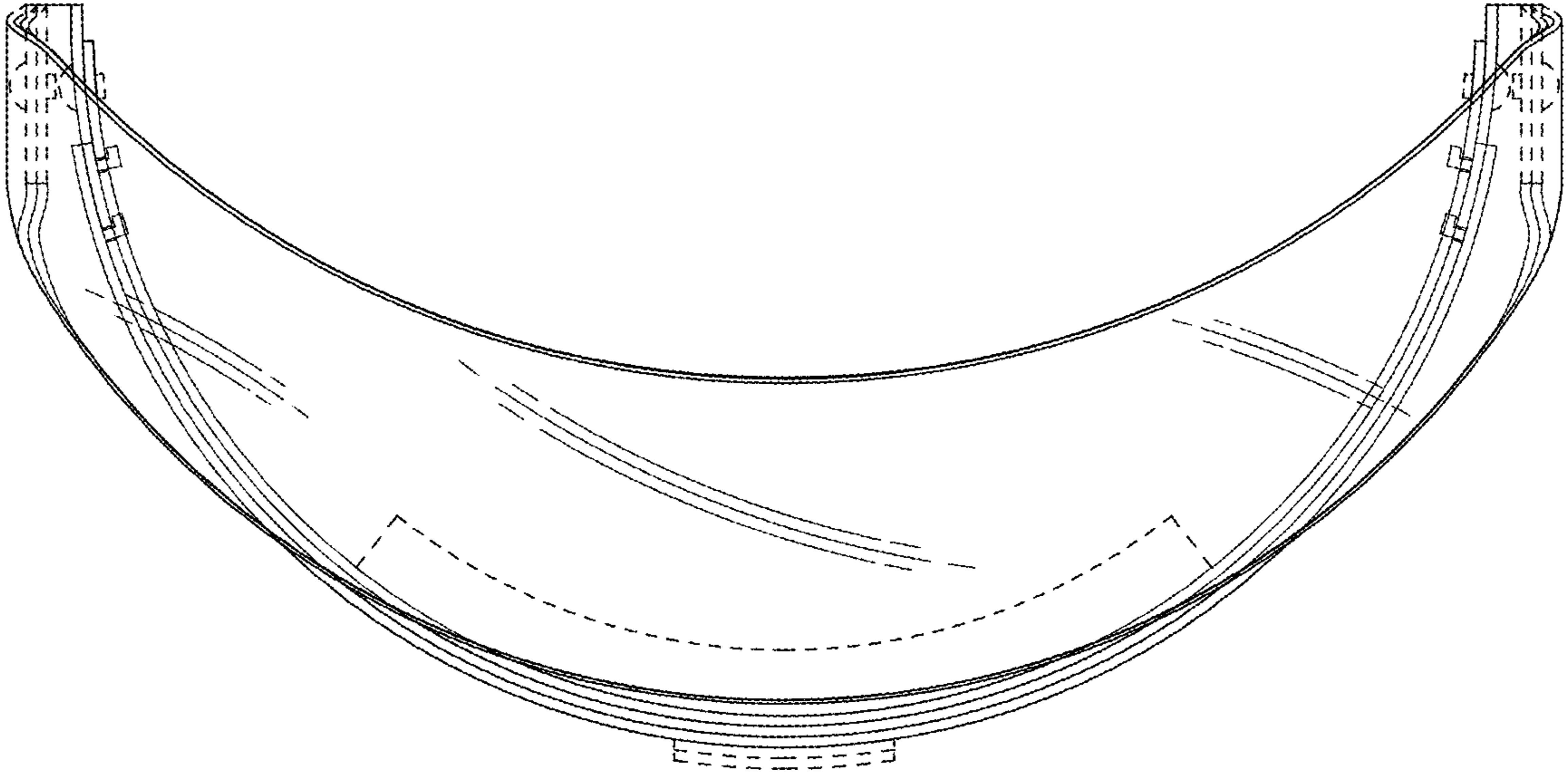


FIG. 8

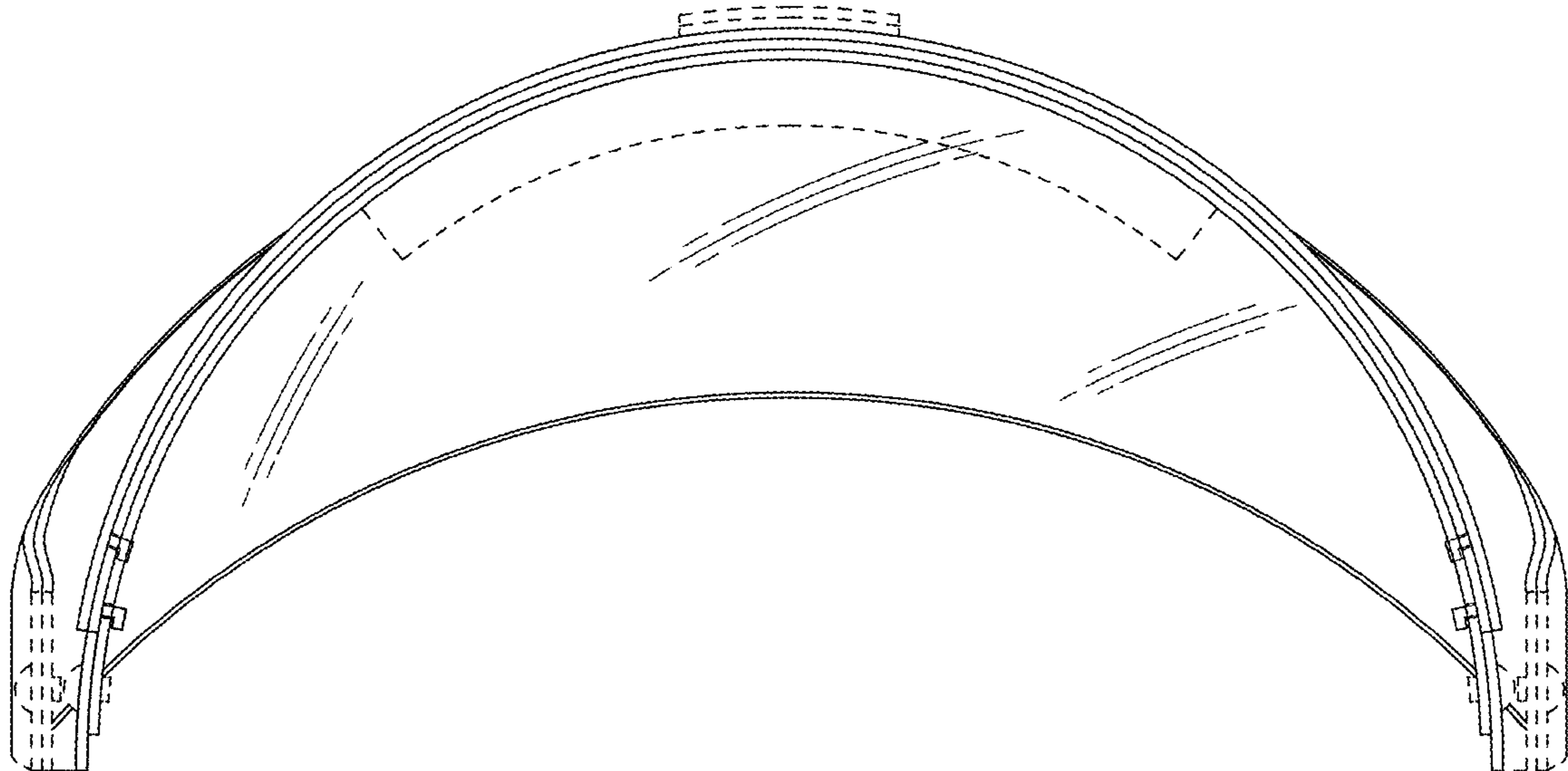


FIG. 9

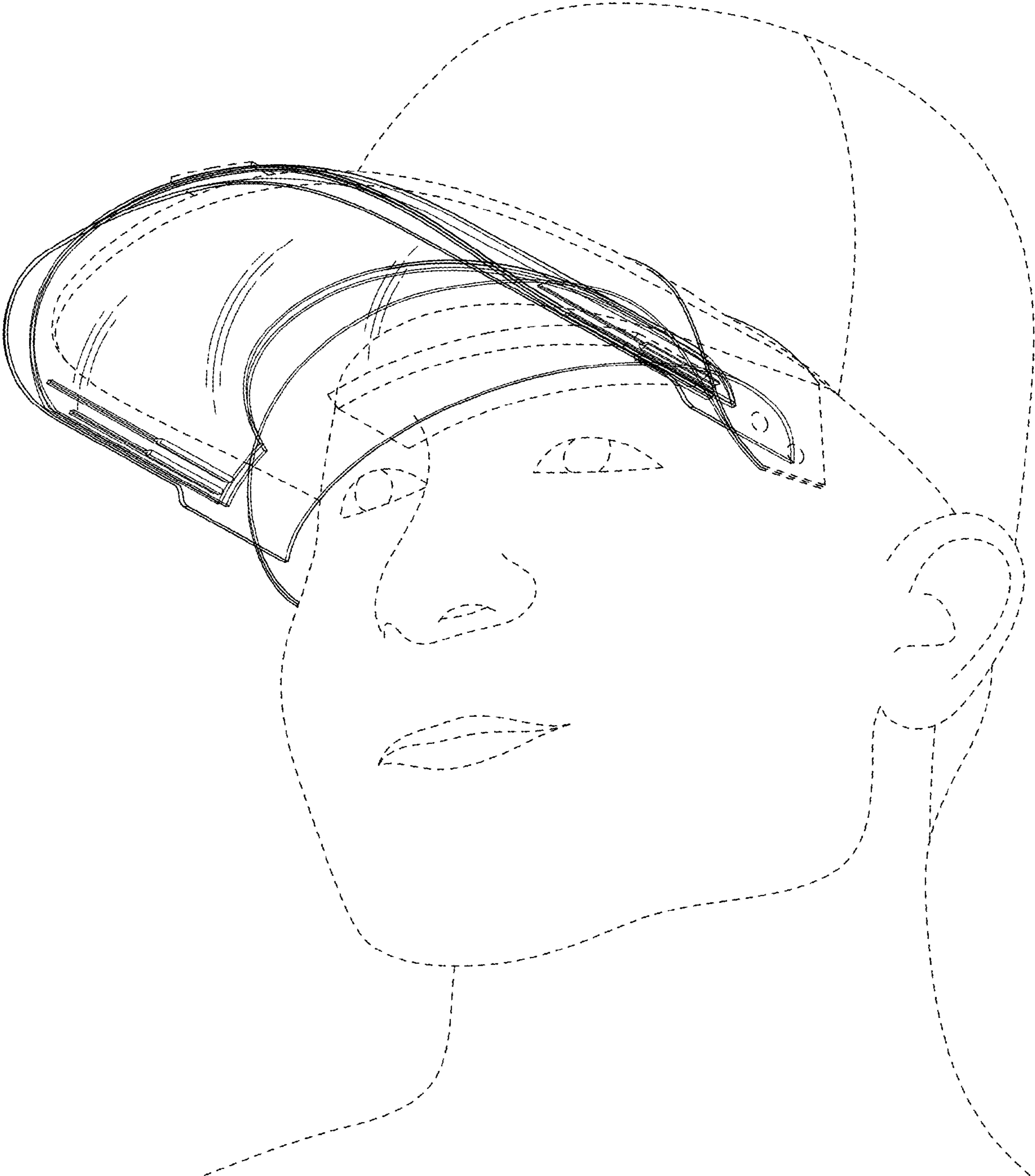


FIG. 10

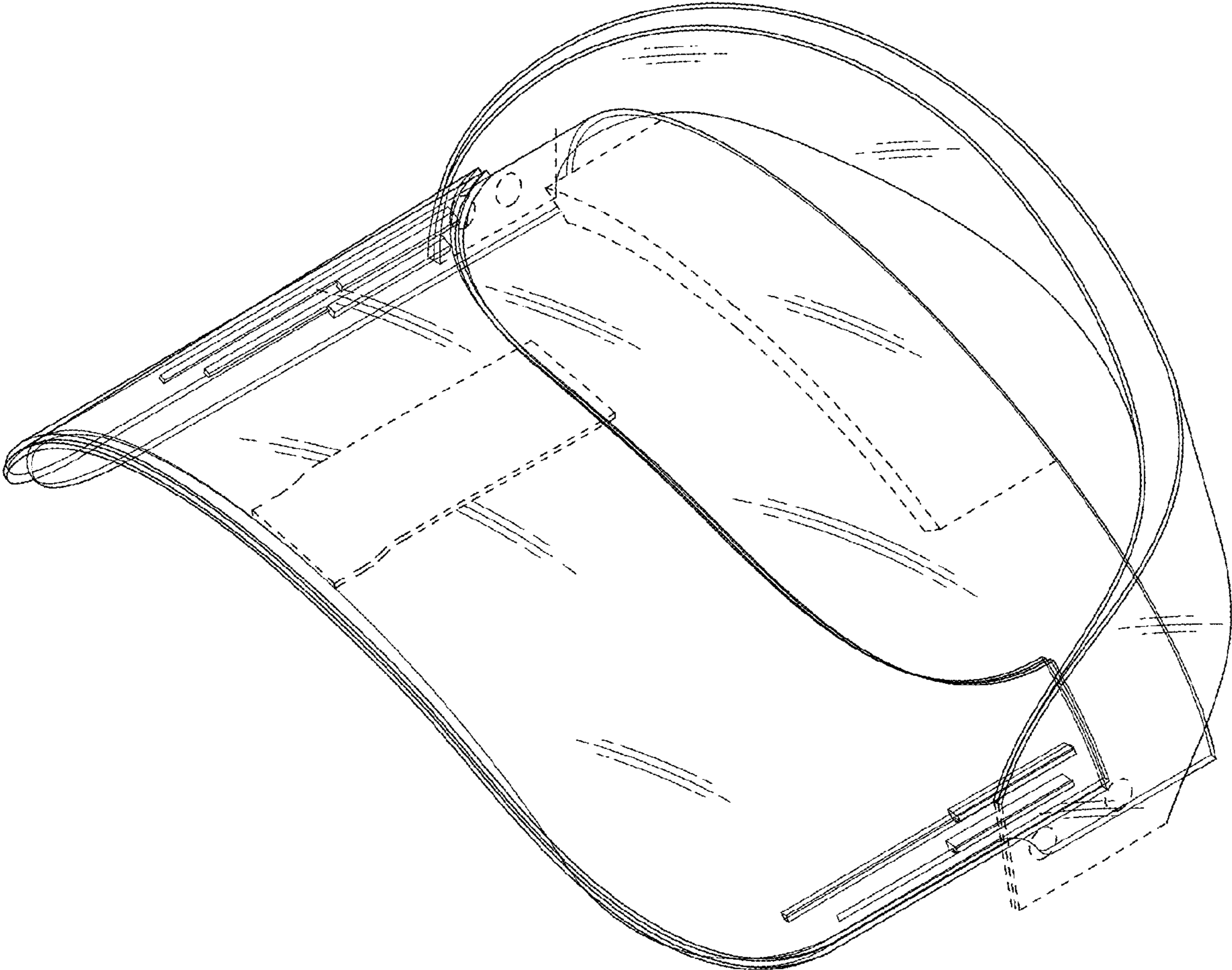


FIG. 11

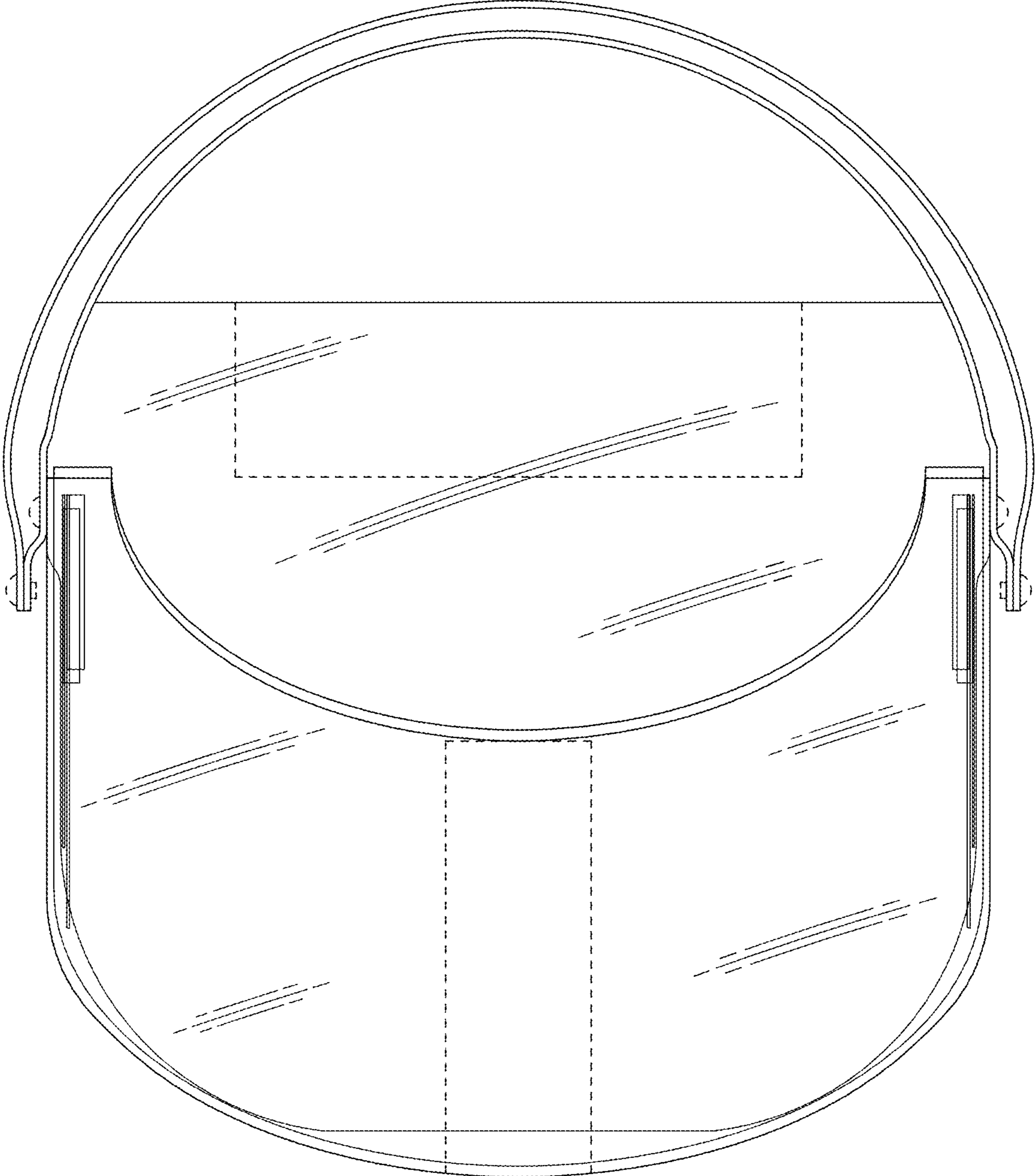


FIG. 12

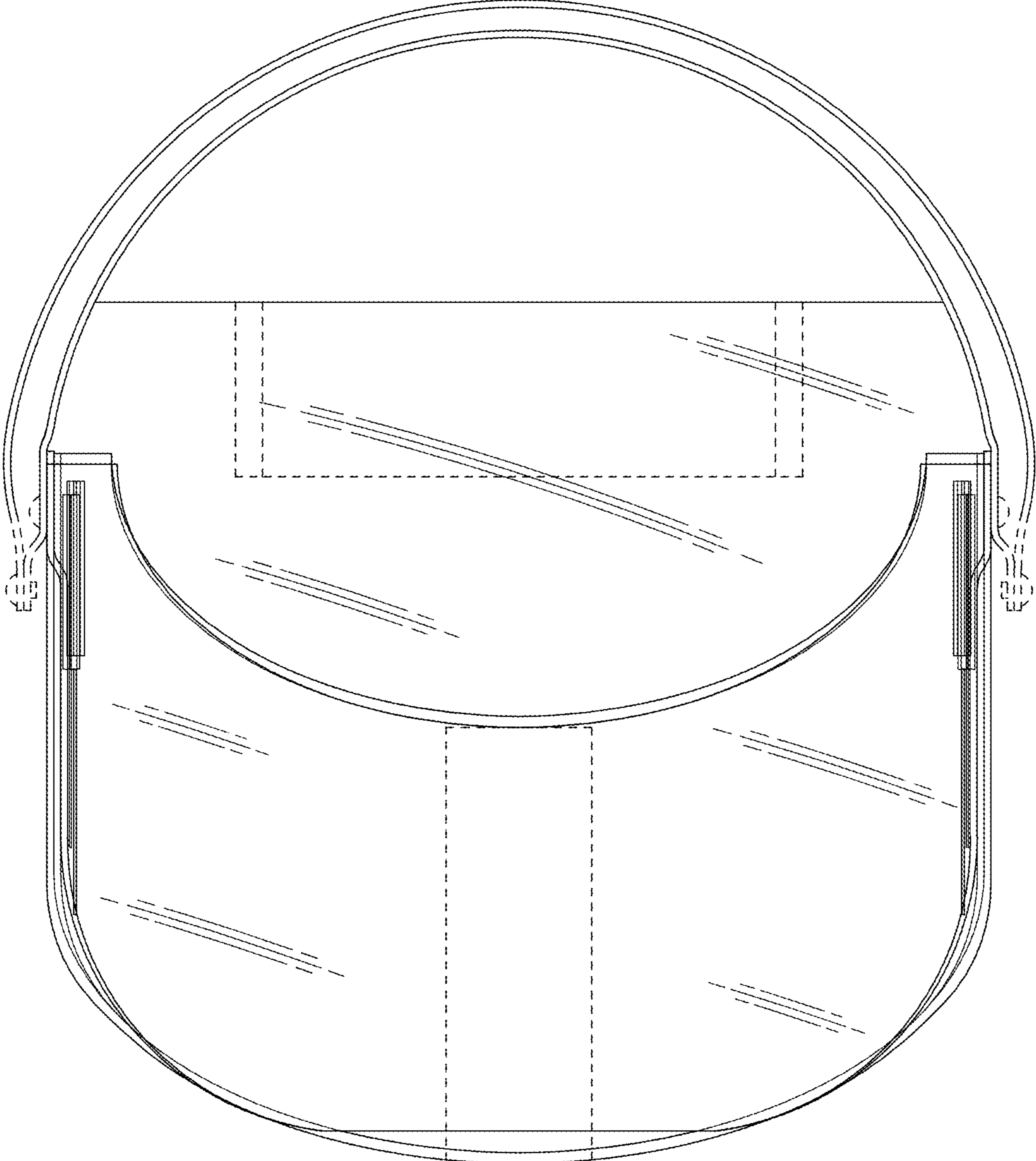


FIG. 13

FIG. 14

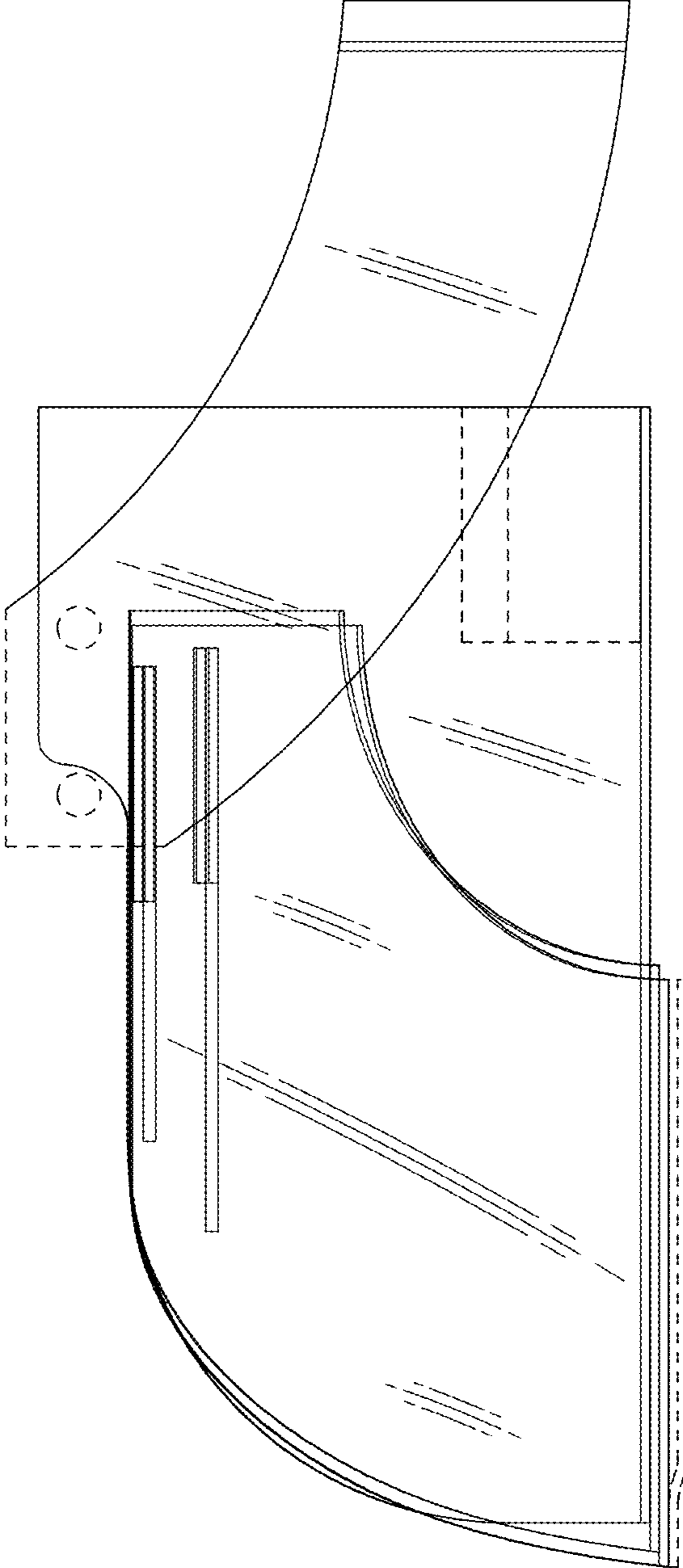
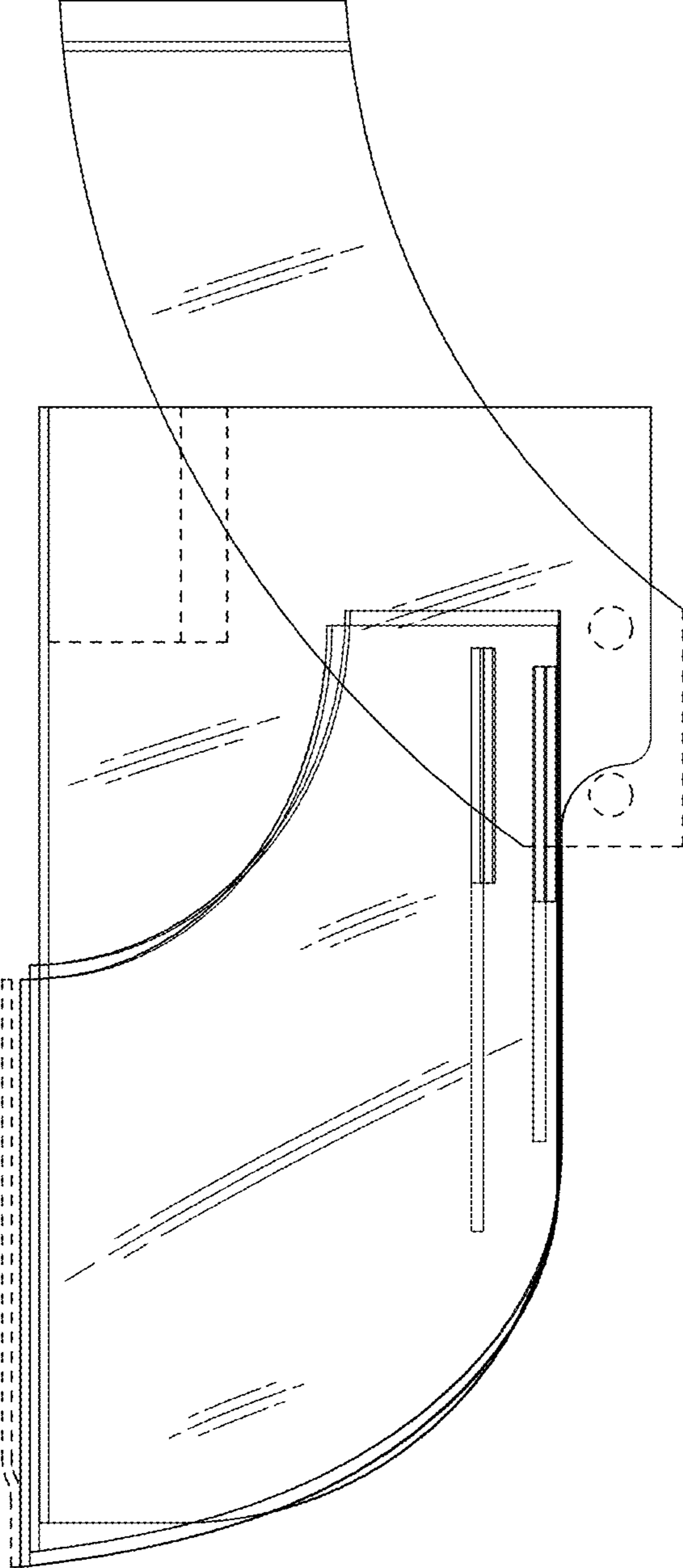


FIG. 15

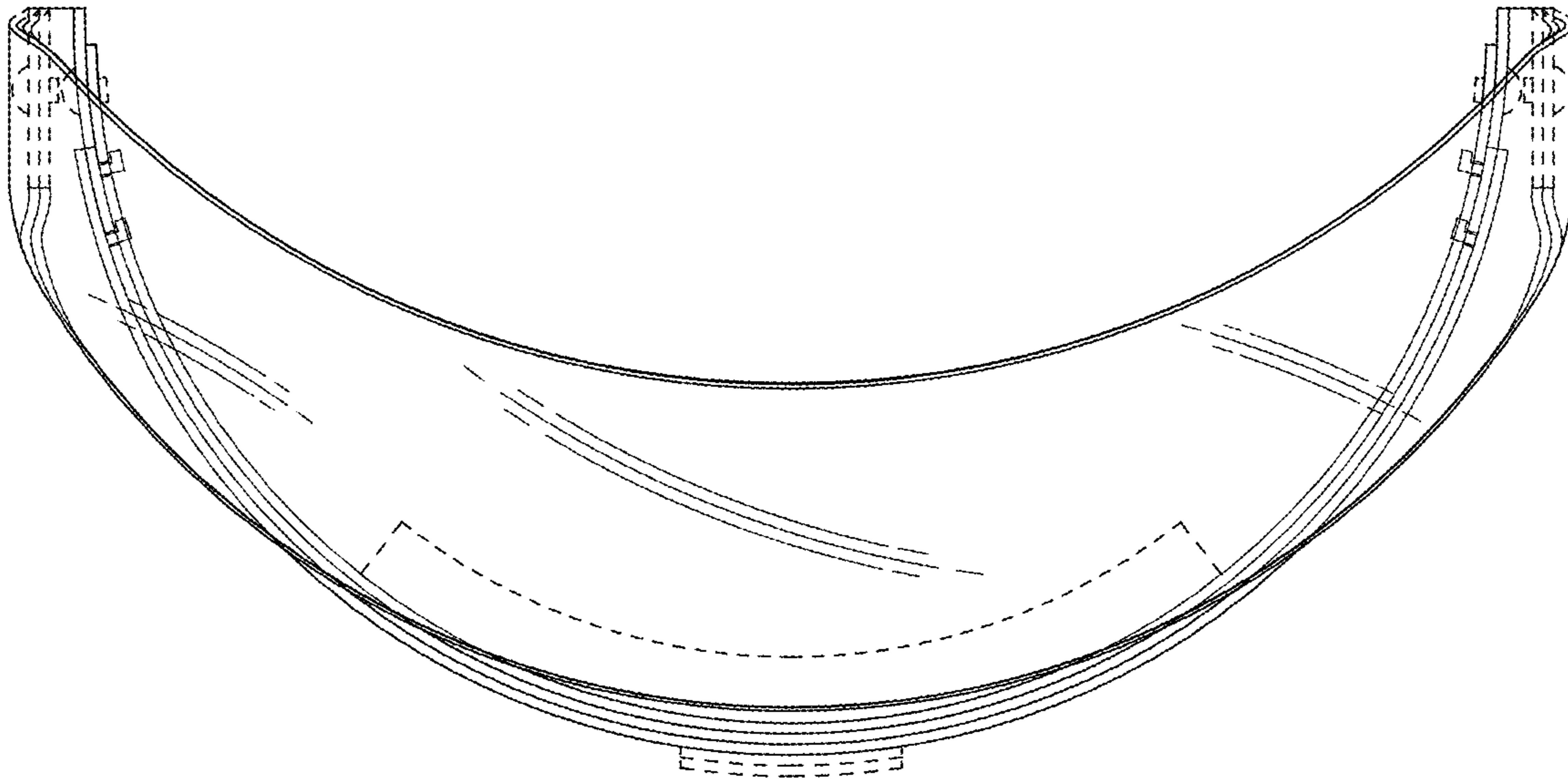


FIG. 16

