



US00D963949S

(12) **United States Design Patent**
Scott

(10) **Patent No.:** **US D963,949 S**

(45) **Date of Patent:** **** Sep. 13, 2022**

(54) **BEARD MASK**

(71) Applicant: **Benjamin D. Scott**, Knoxville, TN
(US)

(72) Inventor: **Benjamin D. Scott**, Knoxville, TN
(US)

(**) Term: **15 Years**

(21) Appl. No.: **29/652,627**

(22) Filed: **Oct. 7, 2020**

Related U.S. Application Data

(63) Continuation of application No. 29/652,408, filed on
Aug. 8, 2020.

(51) **LOC (13) Cl.** **29-02**

(52) **U.S. Cl.**
USPC **D29/108**

(58) **Field of Classification Search**
USPC D29/100, 102, 103, 105, 106, 108, 122;
D2/500, 501, 502, 503, 505, 506, 508;
D24/110.1, 110.2

CPC A42B 5/00; A42B 3/18; A42B 3/20; A42B
1/046; A63B 71/08; A63B 71/10; A63B
71/105; A61F 9/04; A61F 9/06; A61F
9/029; A41D 13/11; A41D 13/1107;
A41D 13/1161; A41D 13/1169; A41D
13/1176; A41G 7/00; A41G 7/02

See application file for complete search history.

(56) **References Cited**

U.S. PATENT DOCUMENTS

- D239,218 S * 3/1976 Fortson 2/10
- D311,261 S * 10/1990 Avey D29/108
- 4,974,605 A * 12/1990 Esqueda A61F 6/04
128/857
- D318,345 S * 7/1991 Holmstrom D29/108
- D321,268 S * 10/1991 Nix, Jr. A41D 13/1184
D29/110
- D339,676 S * 9/1993 Geving D2/500

- D369,442 S * 4/1996 Jones D29/108
- 5,628,308 A * 5/1997 Harges, Jr. A41D 13/1153
128/206.28
- D569,079 S * 5/2008 Whong D2/502
- 7,818,819 B2 * 10/2010 Chiang A42B 1/206
2/206
- D636,128 S * 4/2011 Hancock D29/108
- D638,170 S * 5/2011 Chen D29/108

(Continued)

OTHER PUBLICATIONS

Mouth Covers 3 Layers Washable & Reusable Over the Head
Comfort No Ear Pulling Comfortable Handmade,[\(Continued\)](https://www.amazon.com/Washable-Reusable-Comfort-Comfortable-Handmade/dp/B09LFJRQDF/ref=sxin_14_pa_sp_search_thematic_sspa?content-id=amzn1.sym., Mar. 2, 2021. (Year: 2021).*</p></div>
<div data-bbox=)

Primary Examiner — Elizabeth J Oswecki

(74) *Attorney, Agent, or Firm* — Rick Barnes

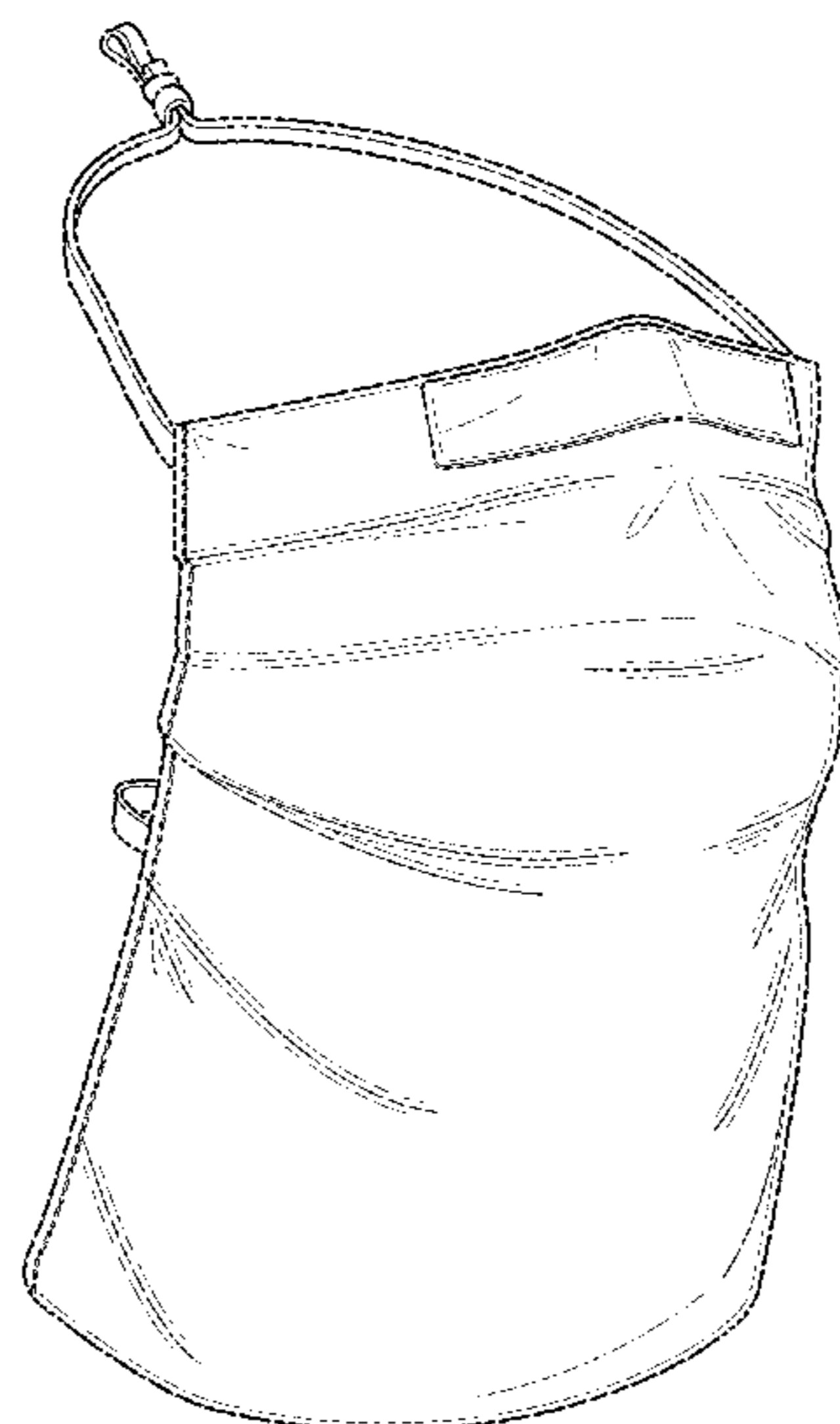
(57) **CLAIM**

The ornamental design for a beard mask, as shown and
described.

DESCRIPTION

FIG. 1 is a perspective view of a beard mask showing my
new design;
FIG. 2 is a perspective view of FIG. 1 being shown in a used
condition on a human figure shown in broken lines;
FIG. 3 is a front view of FIG. 1;
FIG. 4 is a back view of FIG. 1;
FIG. 5 is a right side view of FIG. 1;
FIG. 6 is a left side view of FIG. 1;
FIG. 7 is a top view of FIG. 1; and,
FIG. 8 is a bottom view of FIG. 1.
The broken line showing of a human figure are included for
the purpose of illustrating unclaimed environment and form
no part of the claimed design.

1 Claim, 5 Drawing Sheets



(56)

References Cited

U.S. PATENT DOCUMENTS

D656,706 S * 4/2012 I D2/600
D657,917 S * 4/2012 Chen D29/108
D681,881 S * 5/2013 Pong D29/108
D699,018 S * 2/2014 Shehadeh D2/600
D702,401 S * 4/2014 Phillips D29/108
D723,245 S * 3/2015 Womack D2/600
D777,380 S * 1/2017 Win D29/108
D784,660 S * 4/2017 Garcia D2/865
D833,682 S * 11/2018 Greenblat D29/108
D846,831 S * 4/2019 Greene D2/500
D874,064 S * 1/2020 Costella D29/108
D885,677 S * 5/2020 Acosta D29/108
D890,437 S * 7/2020 Costella D29/108
D905,927 S * 12/2020 Huang D29/108
D929,079 S * 8/2021 Wang D2/600
D938,698 S * 12/2021 Russell D29/108
D939,195 S * 12/2021 Russell D29/108
D939,809 S * 1/2022 Zagori D2/853
2014/0101822 A1 * 4/2014 Womack A41D 23/00
2/206

OTHER PUBLICATIONS

5 Best Face Masks for Beards, Jack Scrimshire, <https://jcgrooming.com/5-best-face-masks-for-beard/>, Nov. 5, 2020. (Year: 2020).*

* cited by examiner

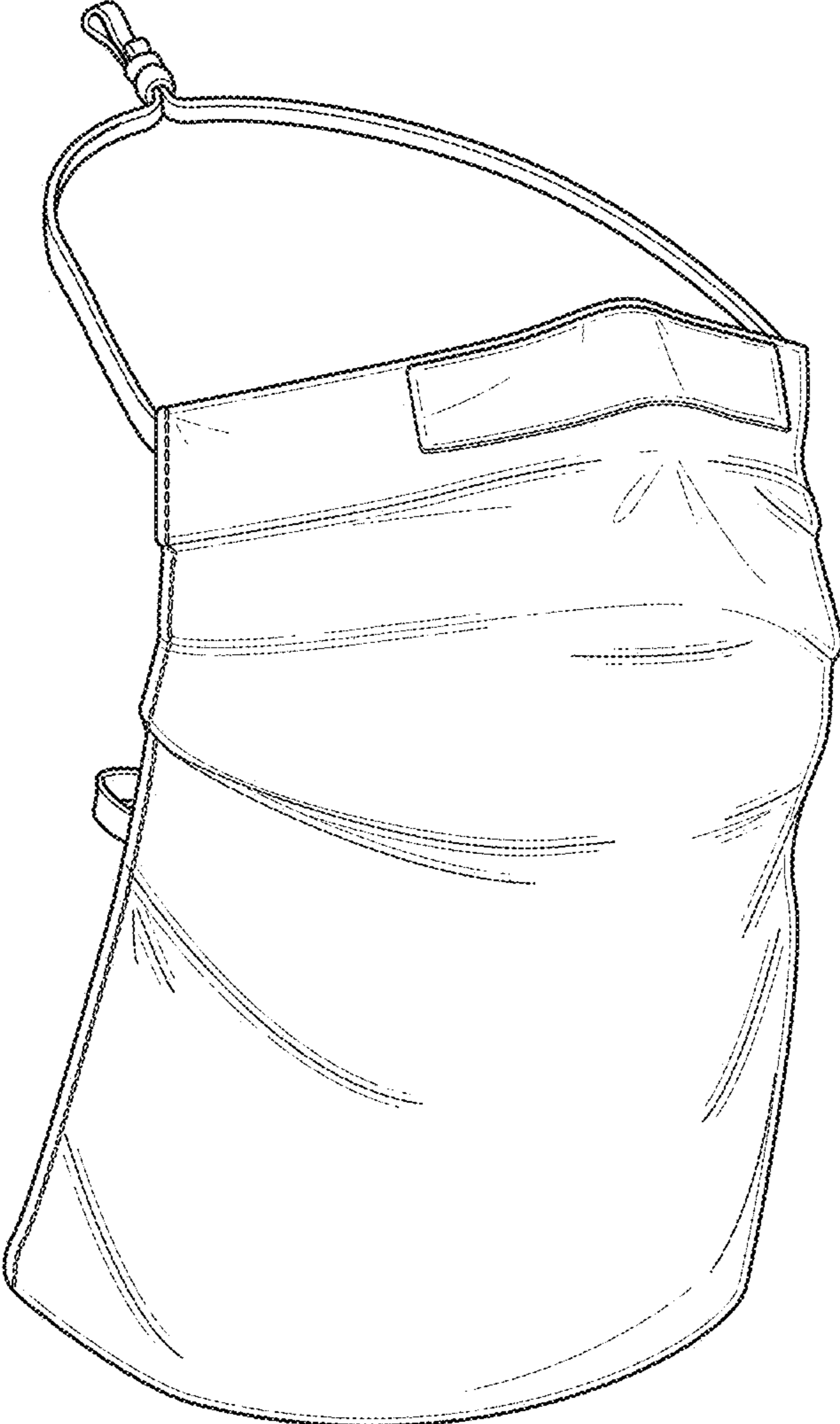


FIG. 1

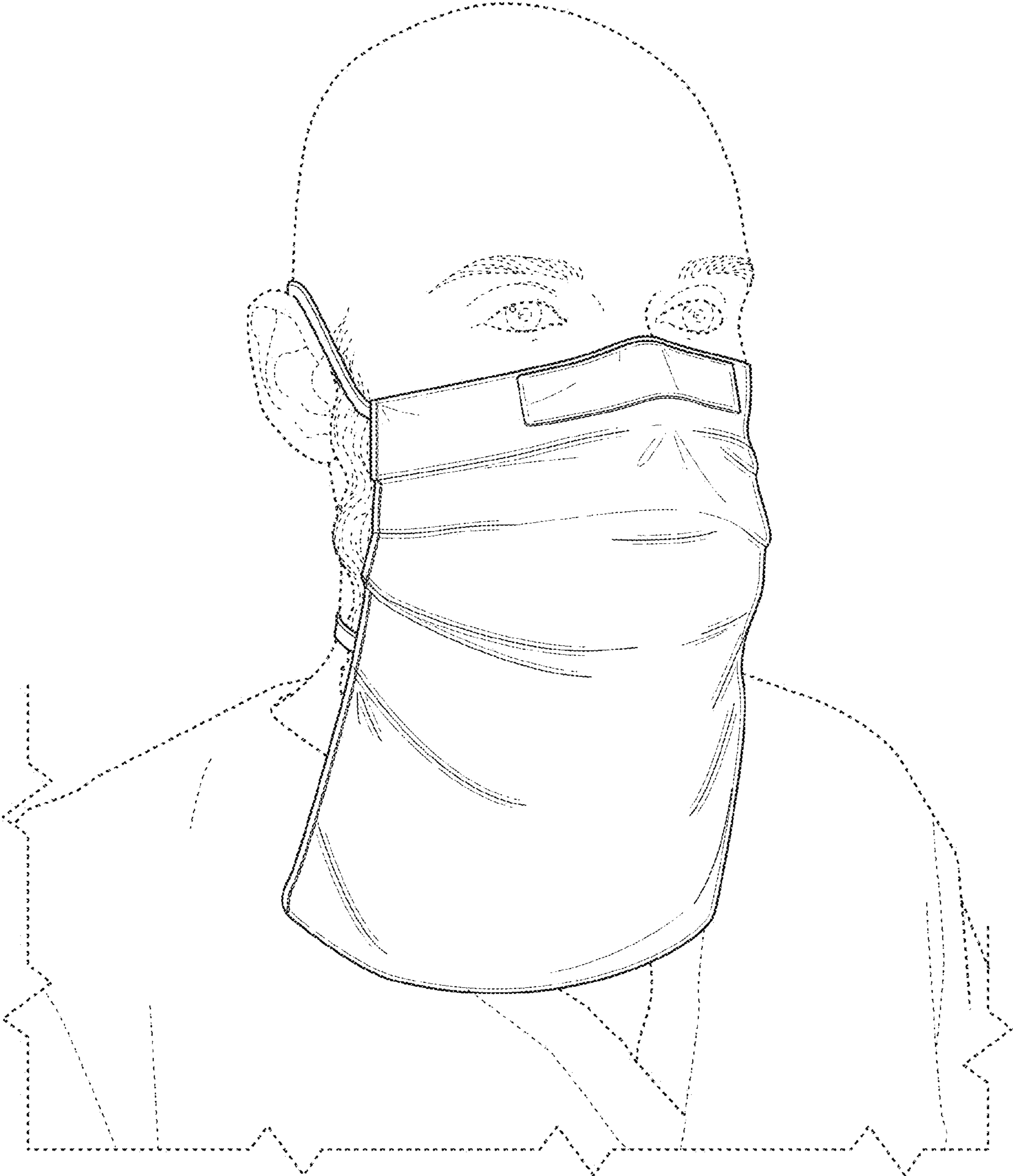


FIG. 2

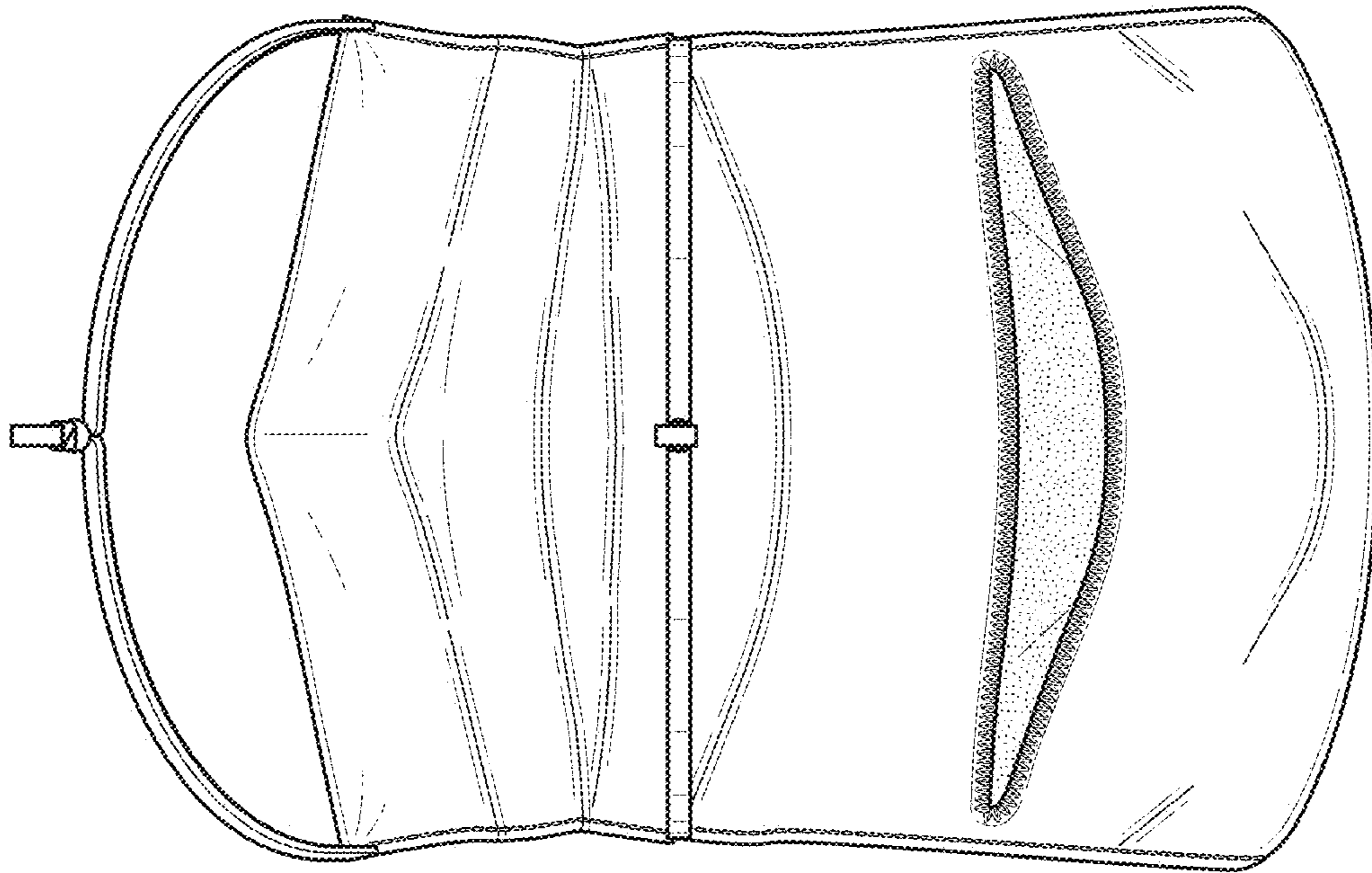


FIG. 4

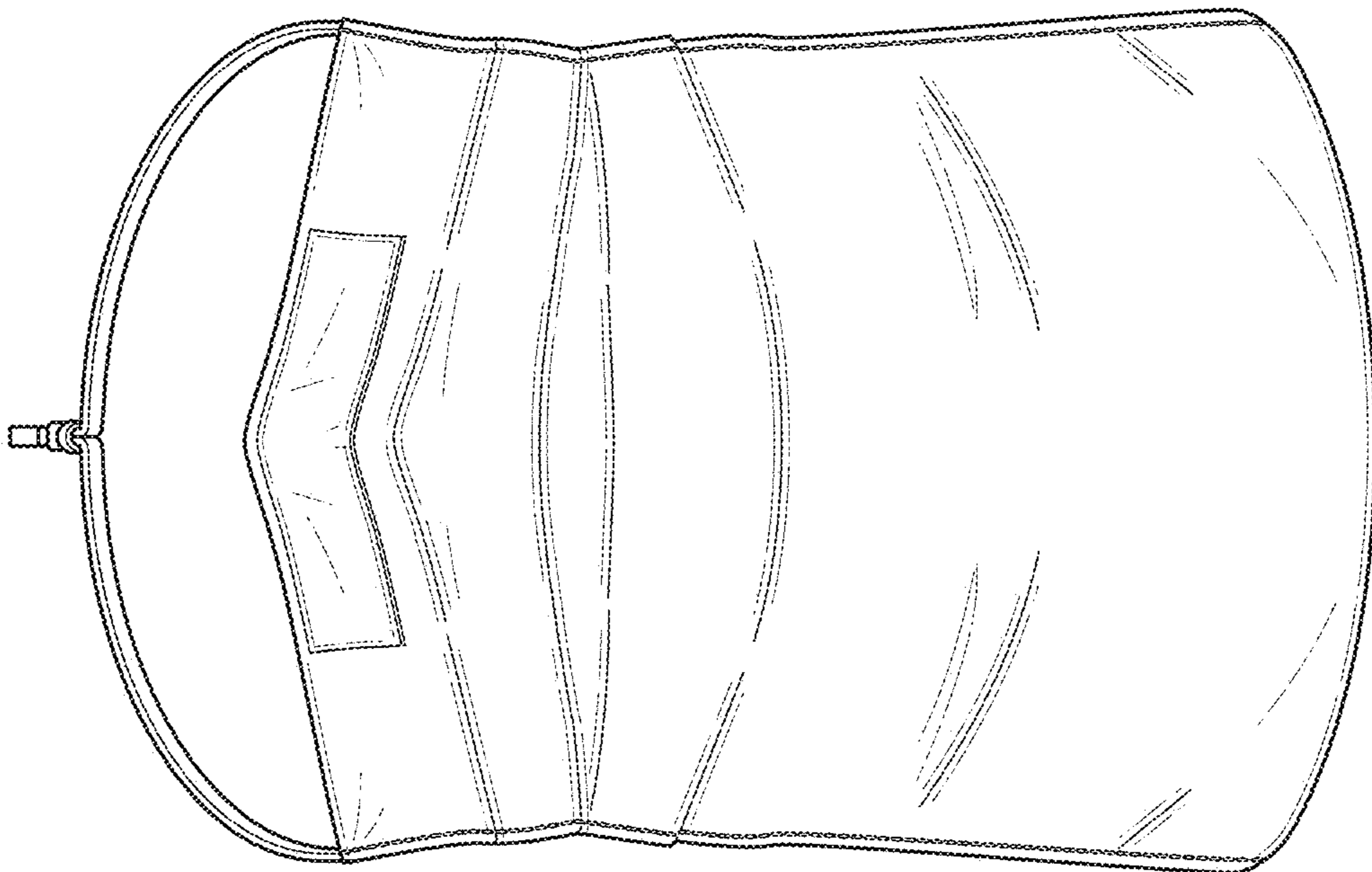


FIG. 3

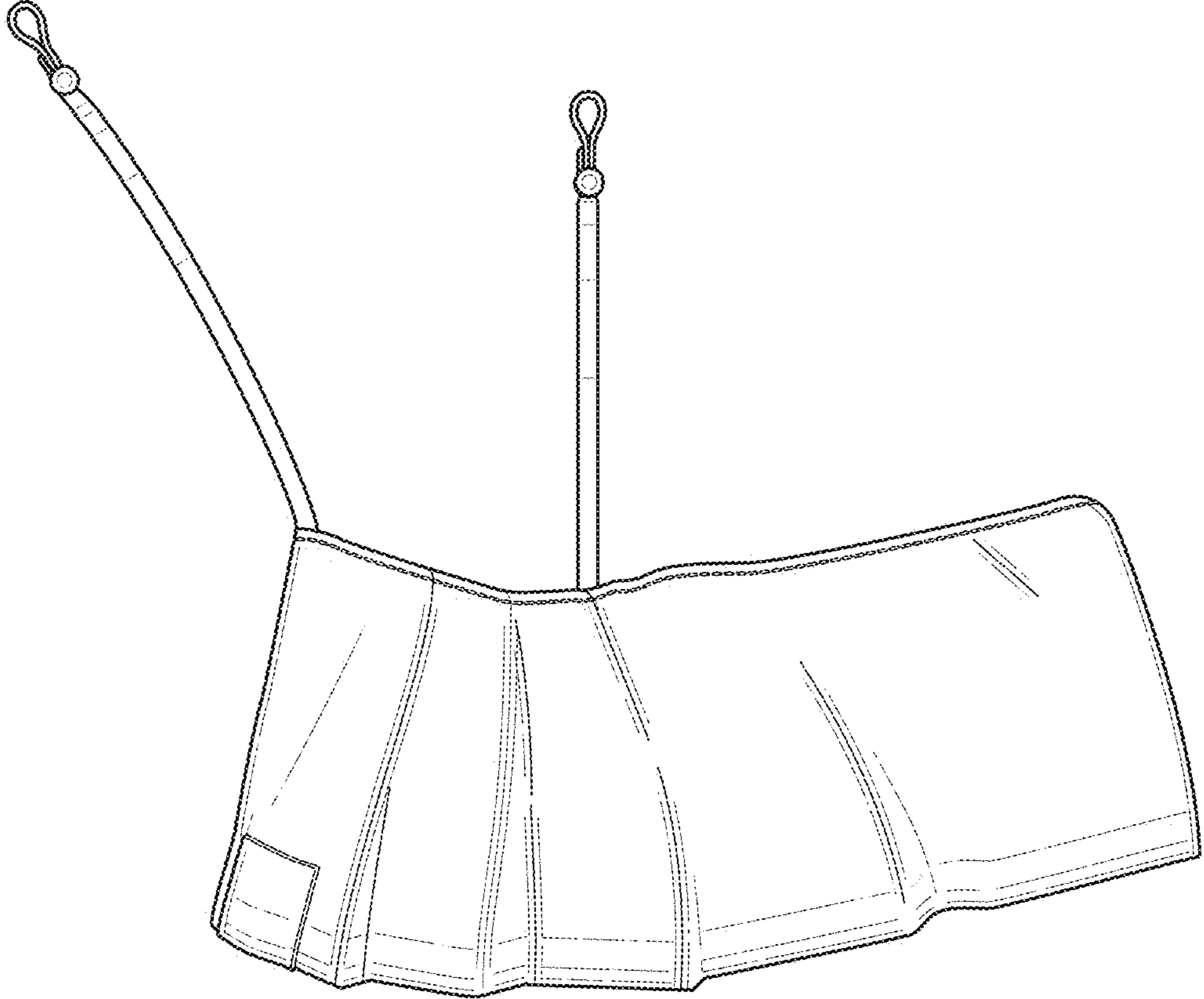


FIG. 5

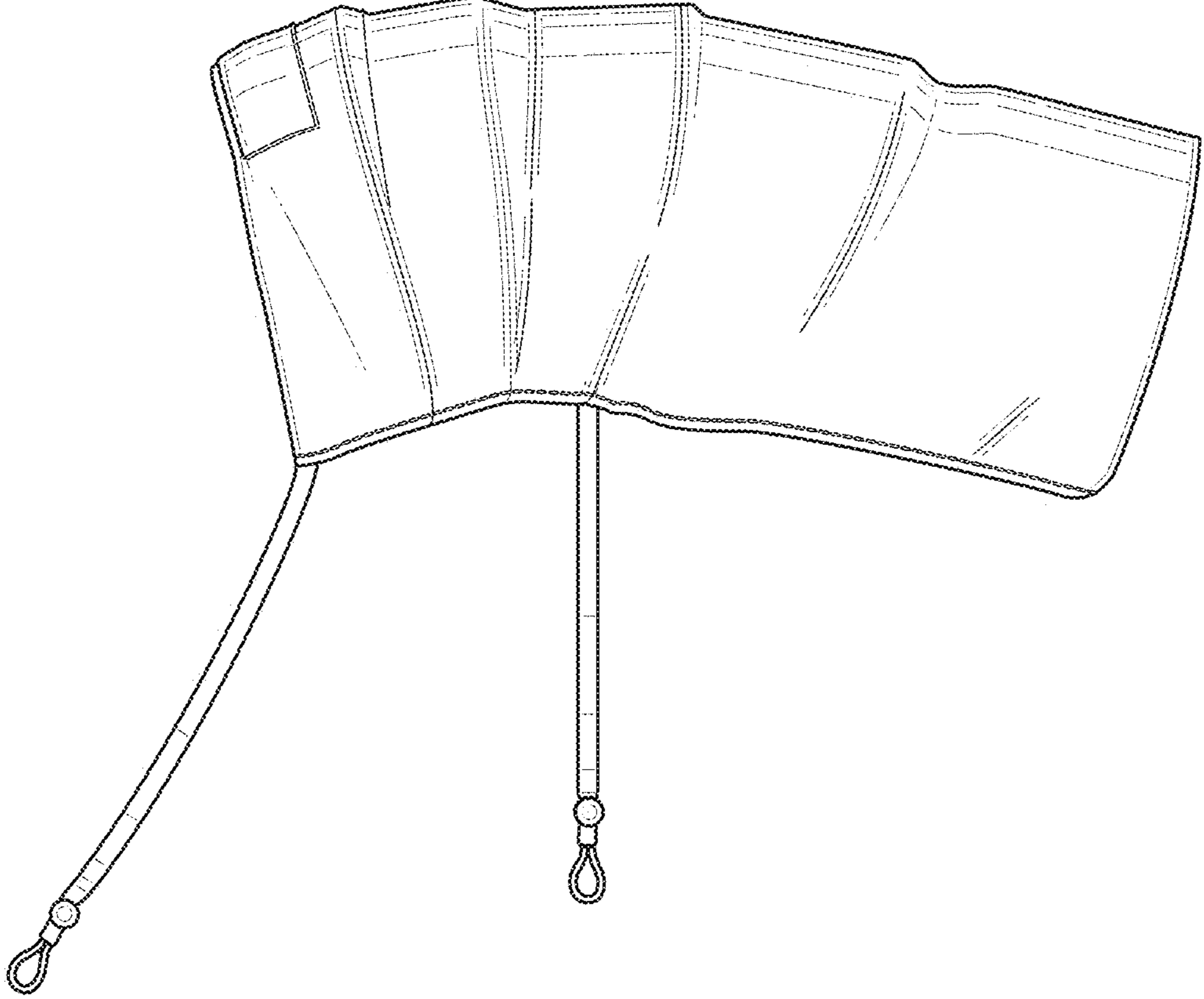


FIG. 6

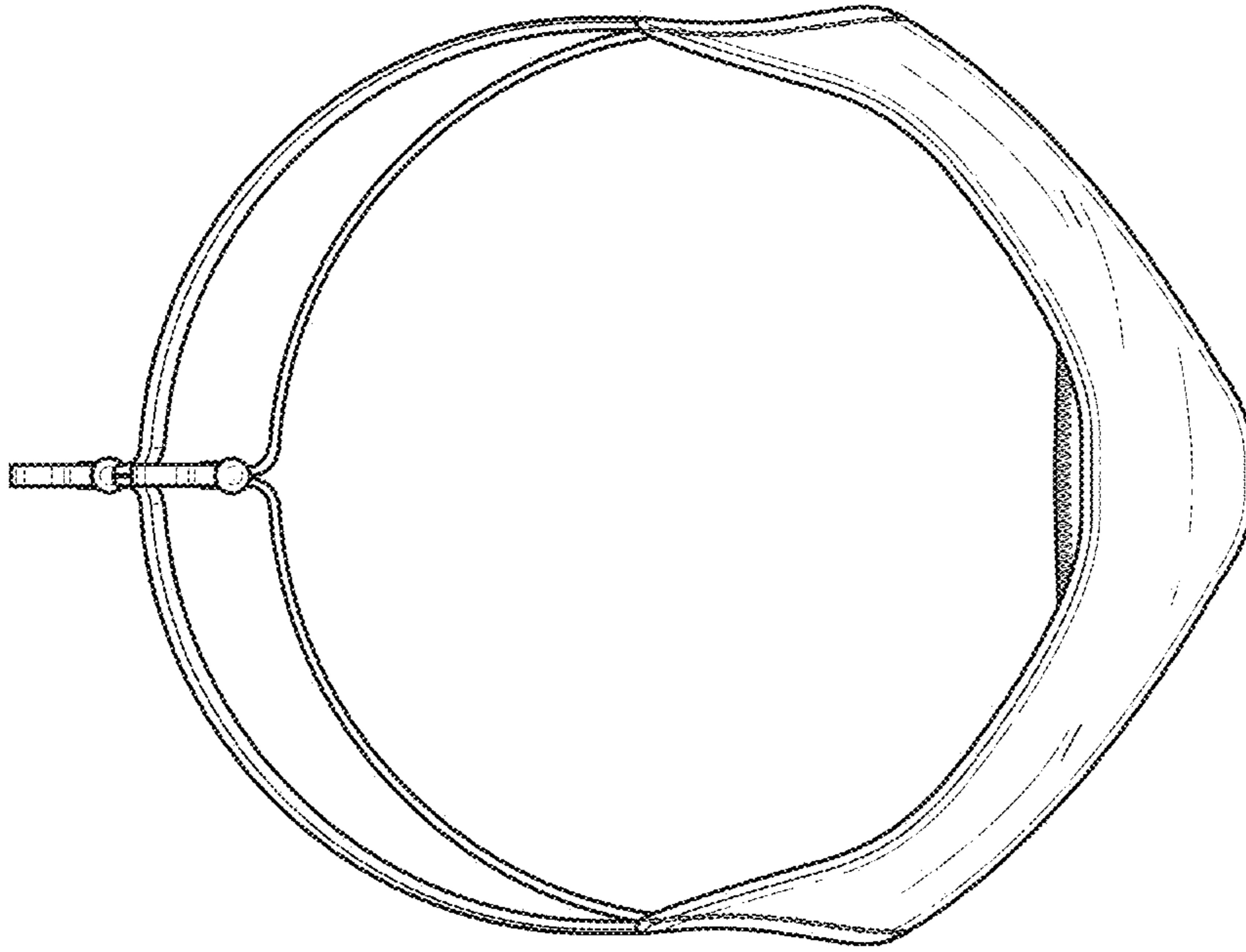


FIG. 8

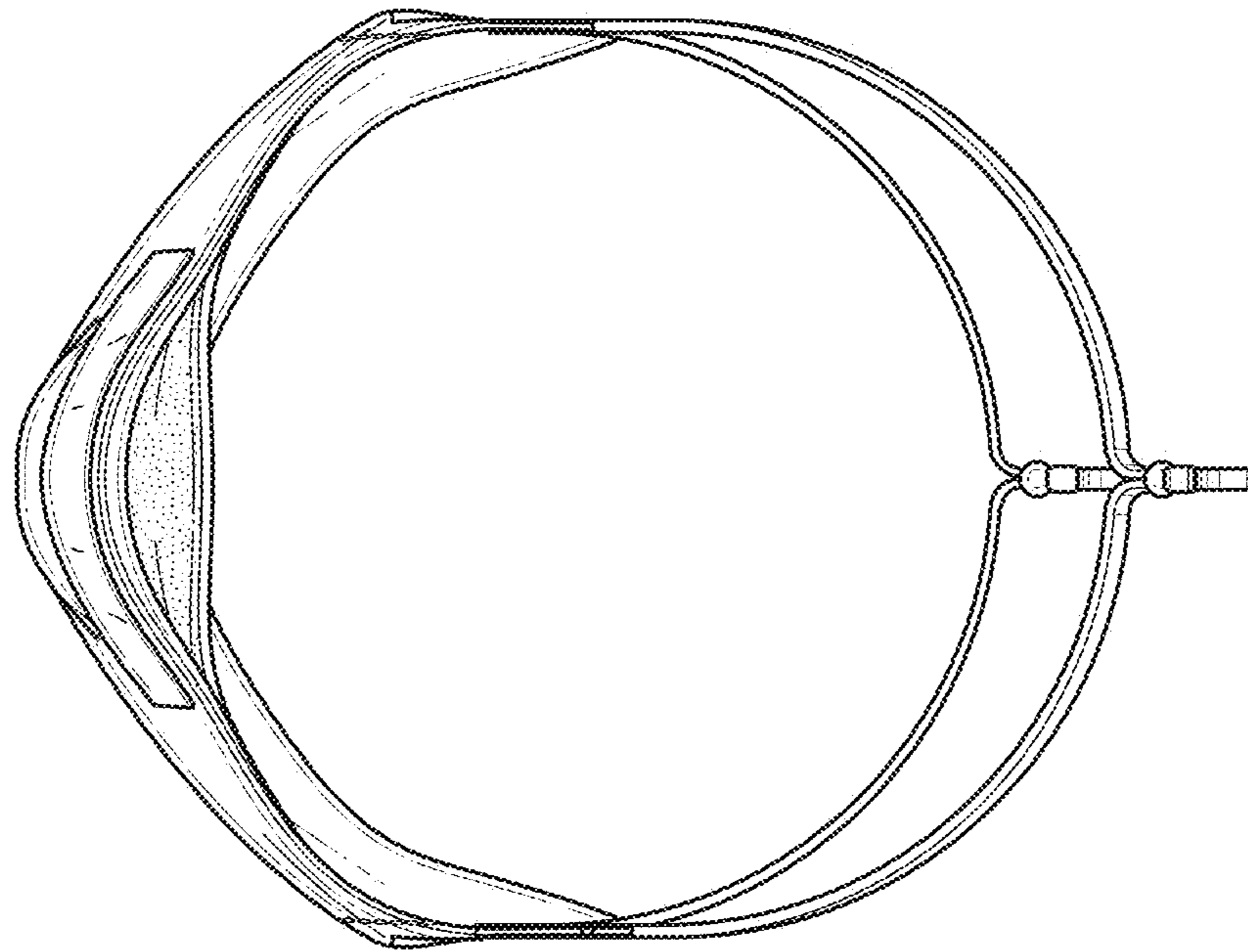


FIG. 7