

US00D963947S

(12) **United States Design Patent**  
**Wu**

(10) **Patent No.:** **US D963,947 S**

(45) **Date of Patent:** **\*\* Sep. 13, 2022**

(54) **SKATEBOARD HELMET**

(71) Applicant: **Huizhou LANOVA Outdoor Products Co., Ltd.**, Guangdong (CN)

(72) Inventor: **Jianjing Wu**, Fujian (CN)

(73) Assignee: **Huizhou LANOVA Outdoor Products Co., Ltd.**, Guangdong (CN)

(\*\*) Term: **15 Years**

(21) Appl. No.: **29/824,300**

(22) Filed: **Jan. 24, 2022**

(51) **LOC (13) Cl.** ..... **02-03**

(52) **U.S. Cl.**  
USPC ..... **D29/102**

(58) **Field of Classification Search**  
USPC ..... D29/102-109, 122  
CPC ..... A42B 3/00; A42B 3/0433; A42B 3/0453;  
A42B 3/0493; A42B 3/06; A42B 3/062;  
A42B 3/064; A42B 3/065; A42B 3/066;  
A42B 3/28; A63B 71/10  
See application file for complete search history.

(56) **References Cited**

**U.S. PATENT DOCUMENTS**

D575,457 S	*	8/2008	Ho	.....	D29/102
D602,639 S	*	10/2009	Ho	.....	D29/102
D602,640 S	*	10/2009	Ho	.....	D29/102
D602,641 S	*	10/2009	Ho	.....	D29/102
D602,642 S	*	10/2009	Ho	.....	D29/102
D602,643 S	*	10/2009	Ho	.....	D29/102
D602,644 S	*	10/2009	Ho	.....	D29/102
D670,437 S	*	11/2012	Ho	.....	D29/102

D670,442 S	*	11/2012	Ho	.....	D29/102
D671,270 S	*	11/2012	Ho	.....	D29/102
D743,630 S	*	11/2015	Peng	.....	D29/102
D801,587 S	*	10/2017	Rieck	.....	D29/105
D870,389 S	*	12/2019	Ho	.....	D29/102
D873,496 S	*	1/2020	Ho	.....	D29/102
D927,077 S	*	8/2021	Liu	.....	D29/102
D930,910 S	*	9/2021	Wu	.....	D29/102
D933,303 S	*	10/2021	Ho	.....	D29/102
D937,492 S		11/2021	Icek et al.		
D937,493 S		11/2021	Noordzij		
D956,360 S	*	6/2022	Wu	.....	D29/102

\* cited by examiner

*Primary Examiner* — Kimberly Barnes

(74) *Attorney, Agent, or Firm* — ScienBiziP, P.C.

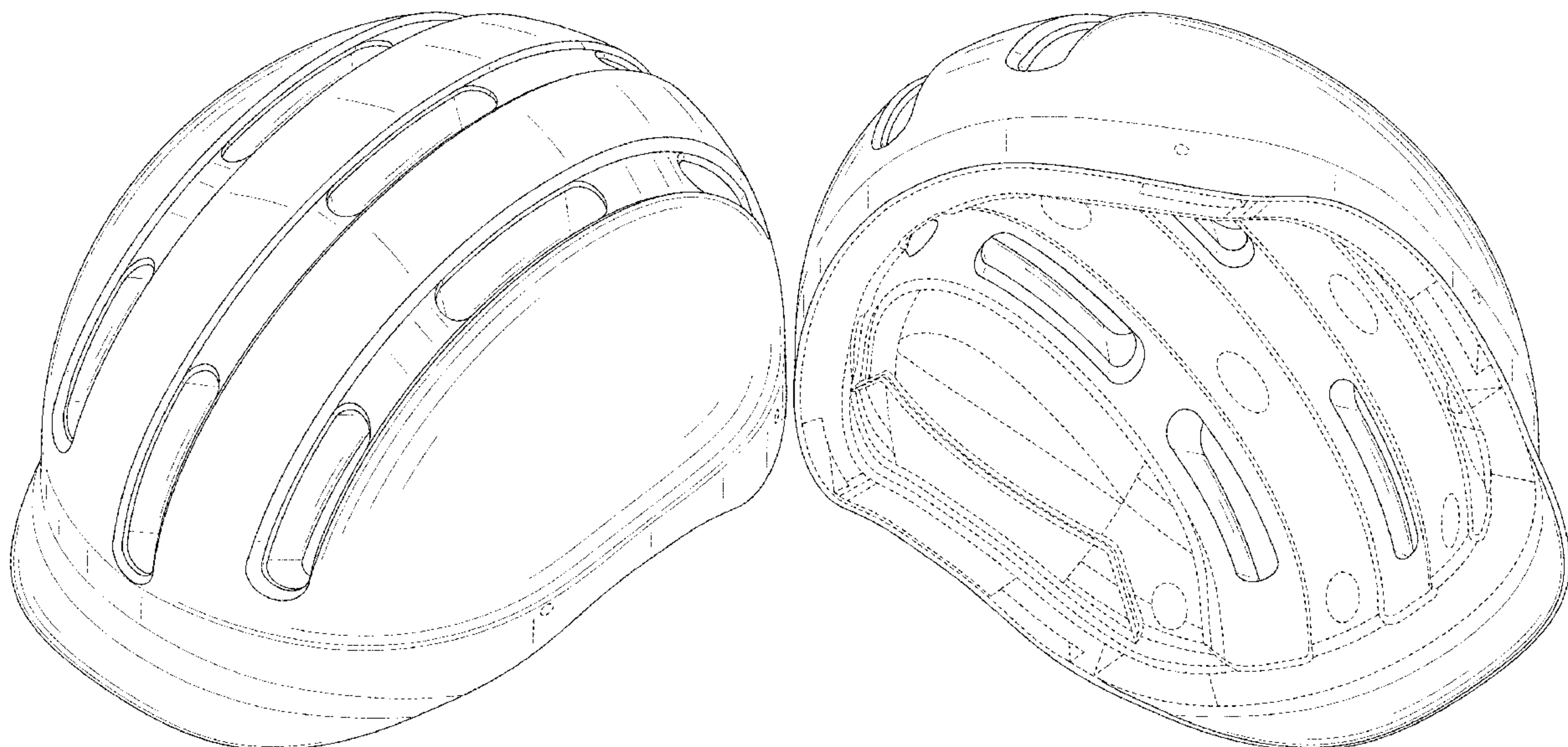
(57) **CLAIM**

The ornamental design for a skateboard helmet, as shown and described.

**DESCRIPTION**

FIG. 1 is a front, right, and top perspective view of a skateboard helmet, showing my design.  
 FIG. 2 is a rear, left, and bottom perspective view thereof.  
 FIG. 3 is a front elevation view thereof.  
 FIG. 4 is a rear elevation view thereof.  
 FIG. 5 is a left side elevation view thereof.  
 FIG. 6 is a right side elevation view thereof.  
 FIG. 7 is a top plan view thereof; and,  
 FIG. 8 is a bottom plan view thereof.  
 The broken lines shown in the drawings are included for the purpose of illustrating portions of the skateboard helmet that form no part of the claimed design.

**1 Claim, 8 Drawing Sheets**



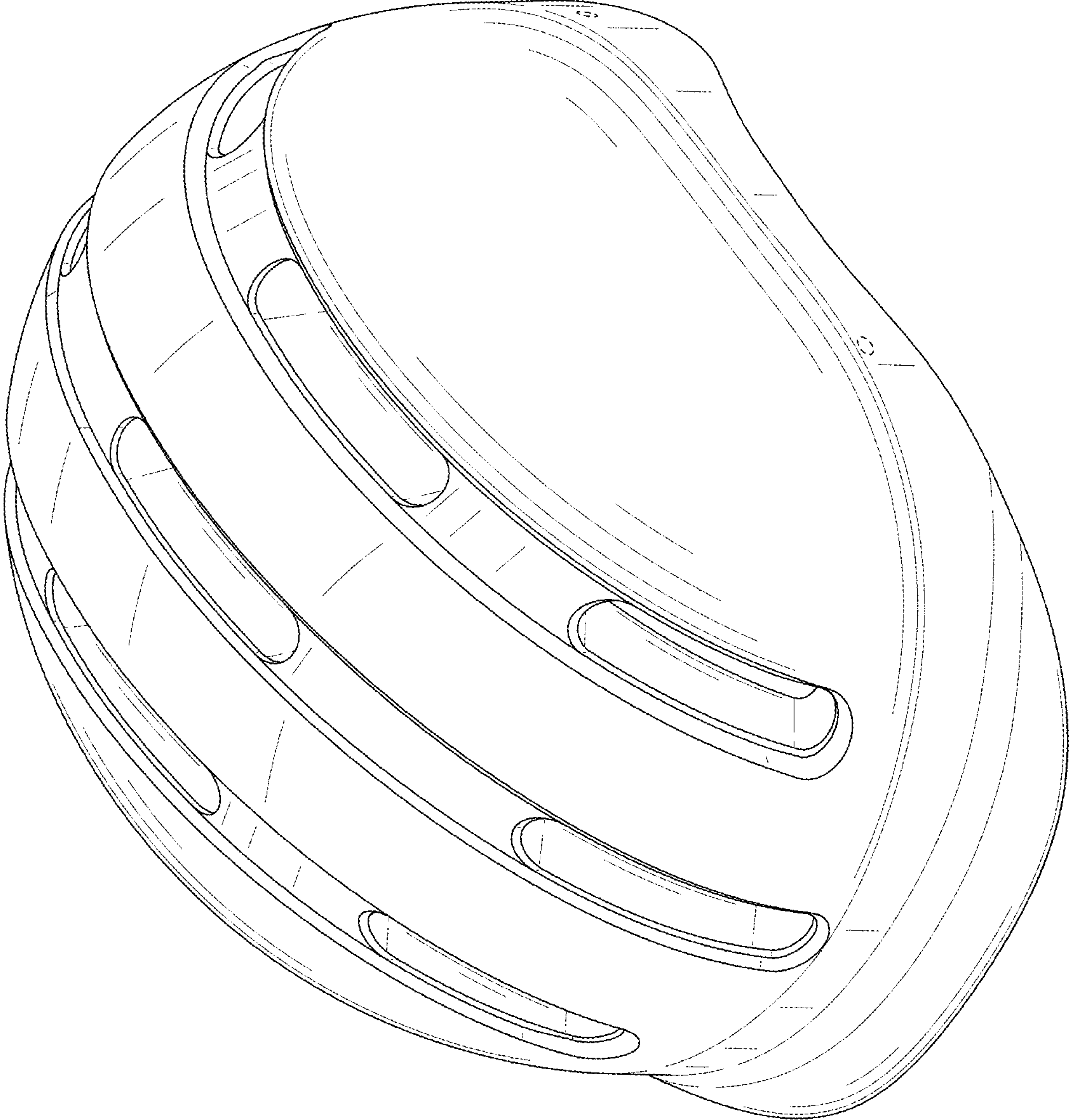


FIG. 1



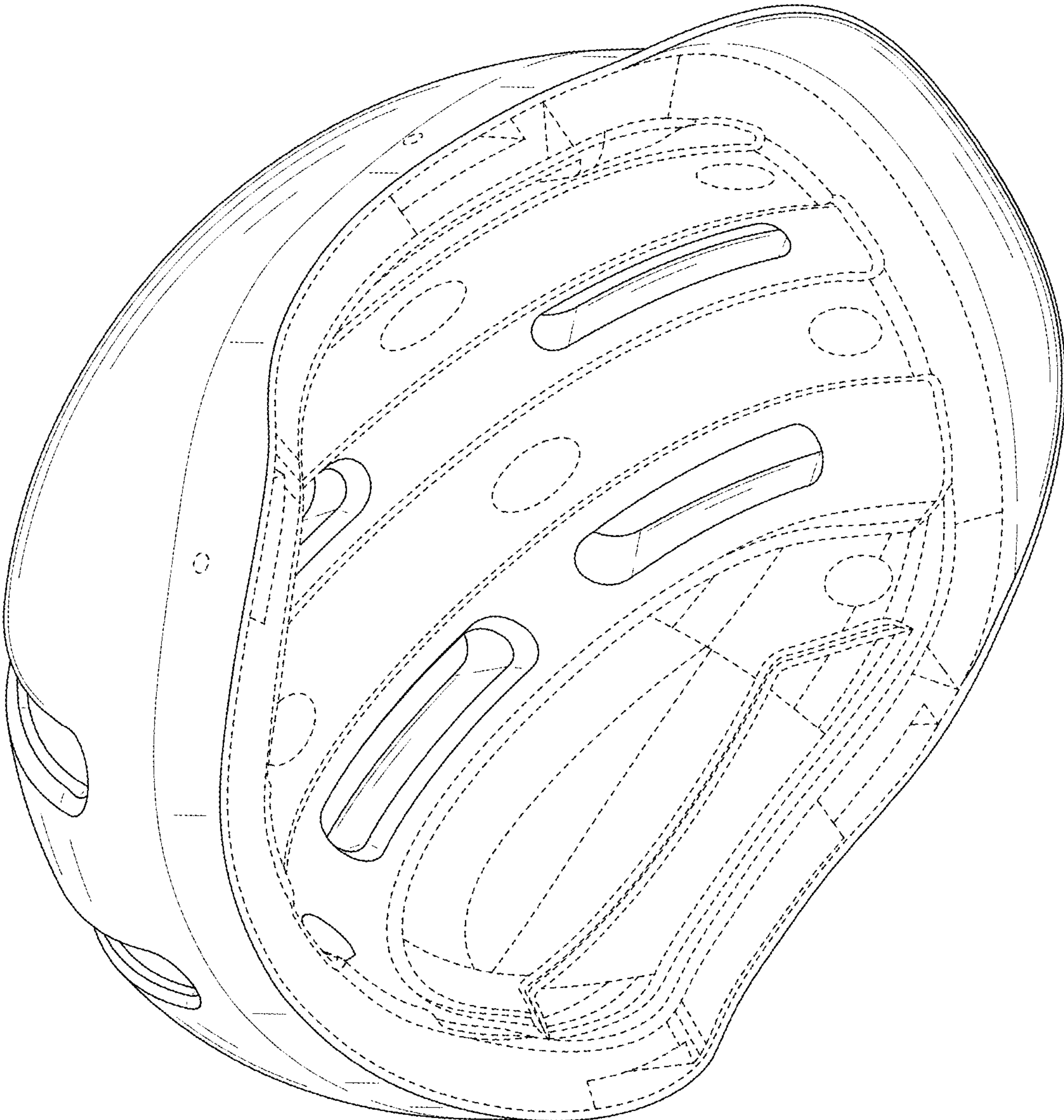


FIG. 2

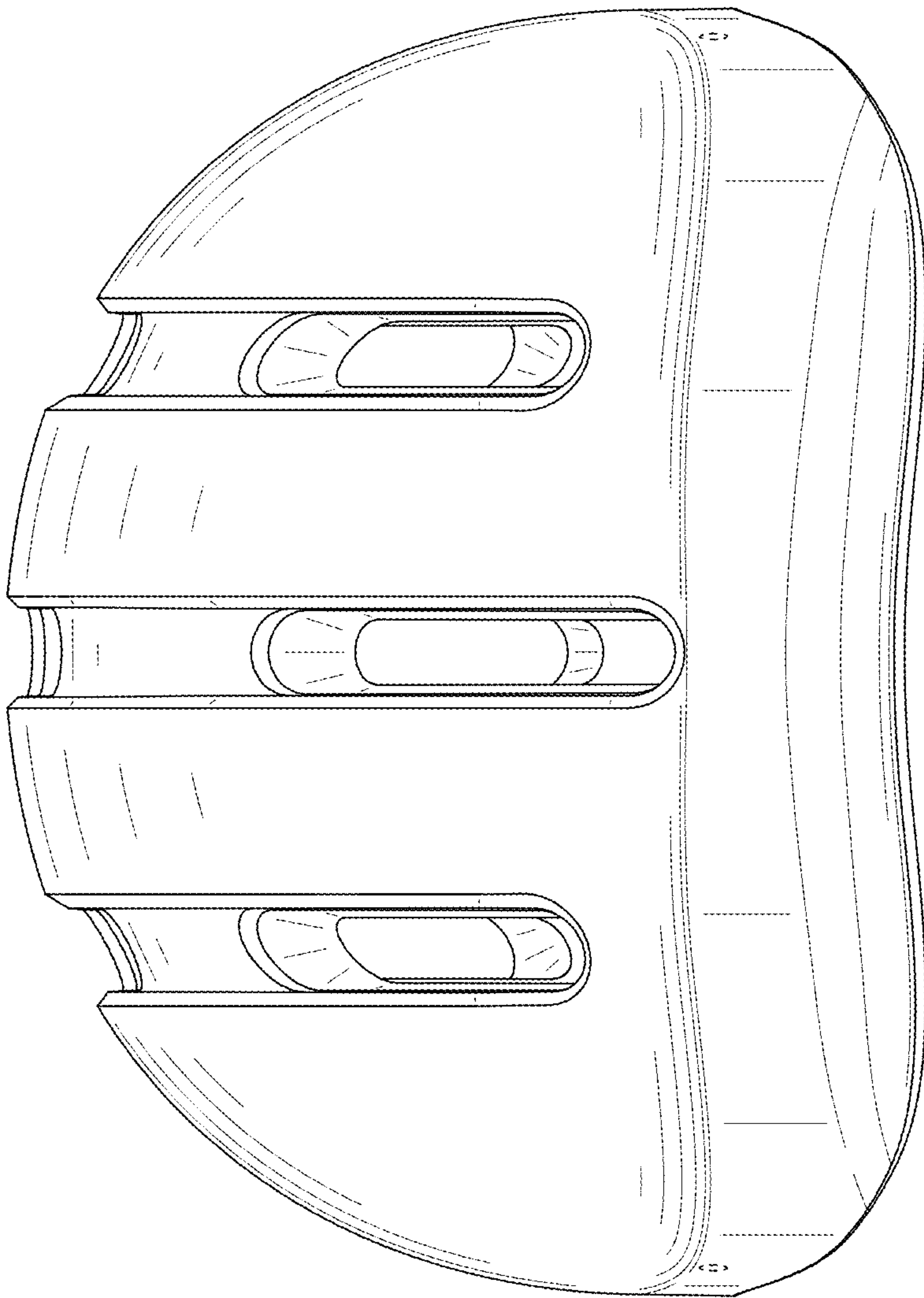


FIG. 3

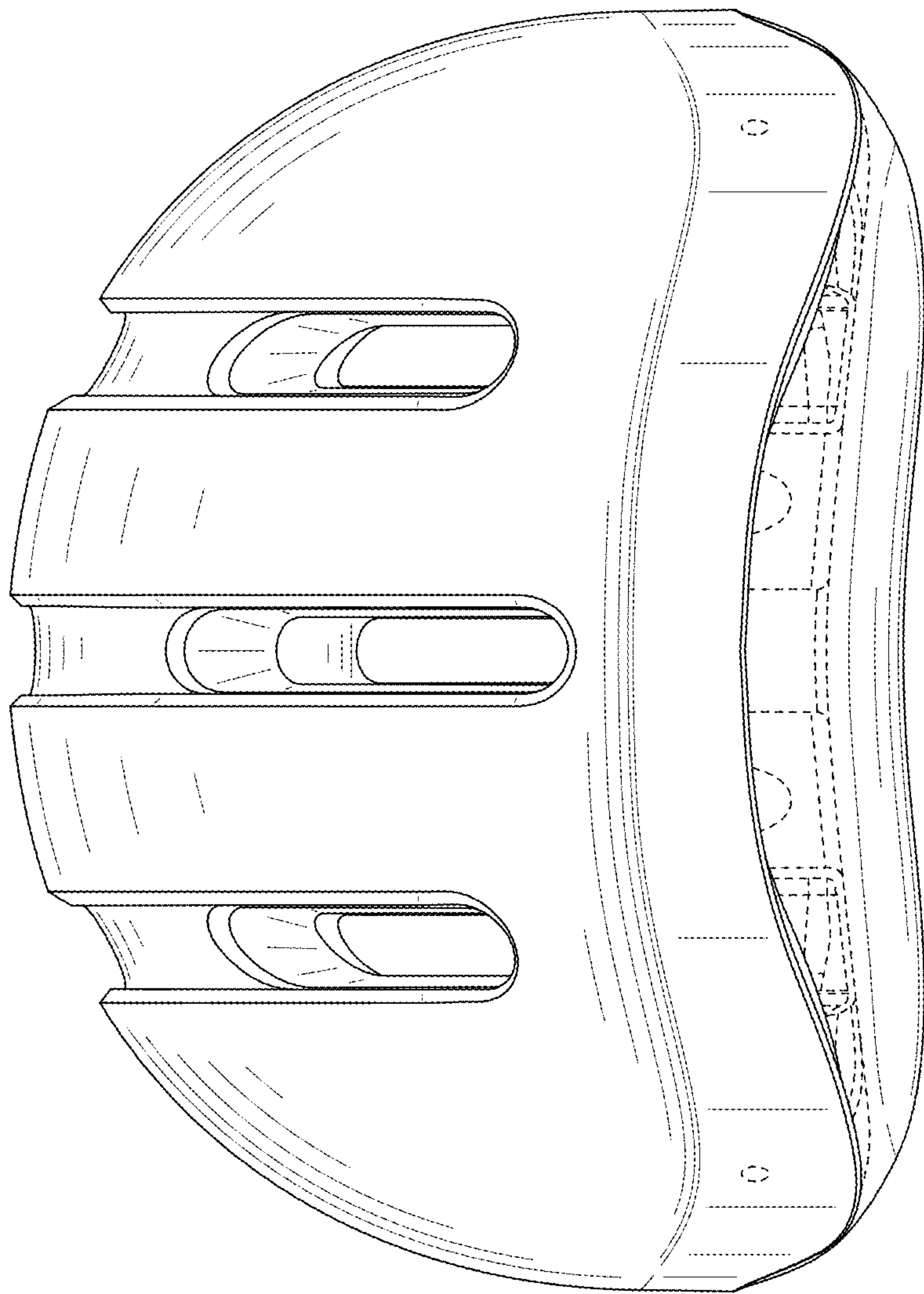


FIG. 4

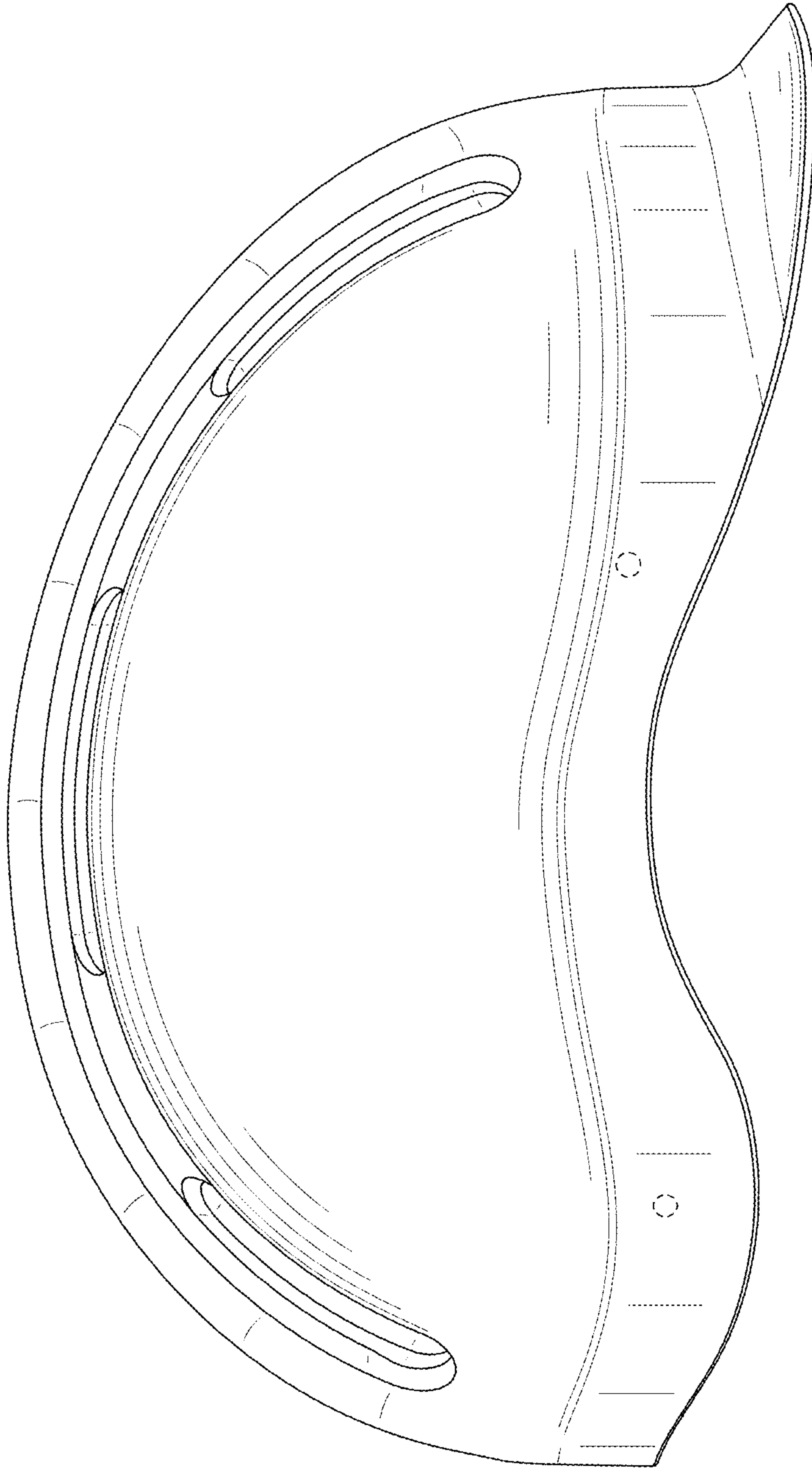


FIG. 5

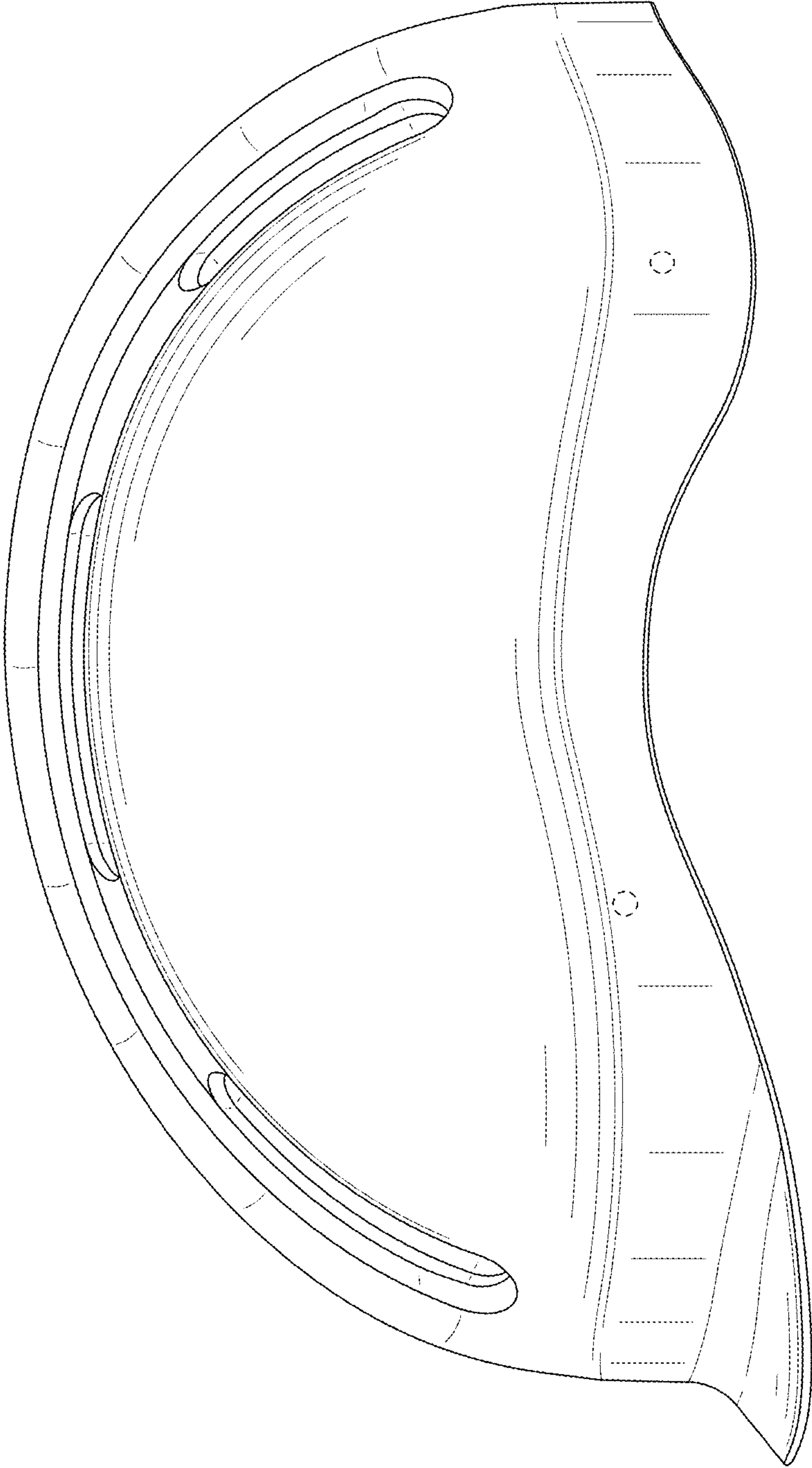


FIG. 6



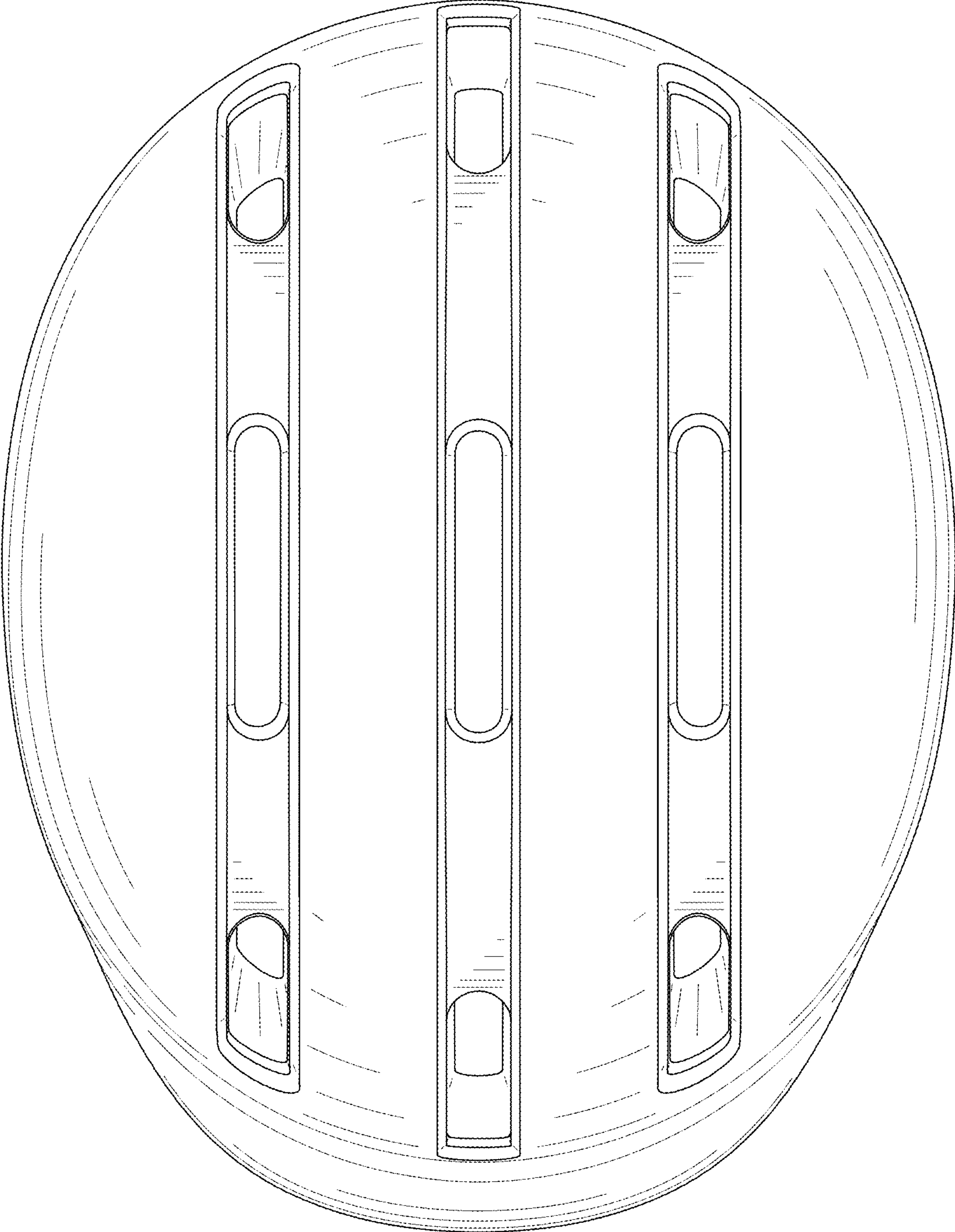


FIG. 7



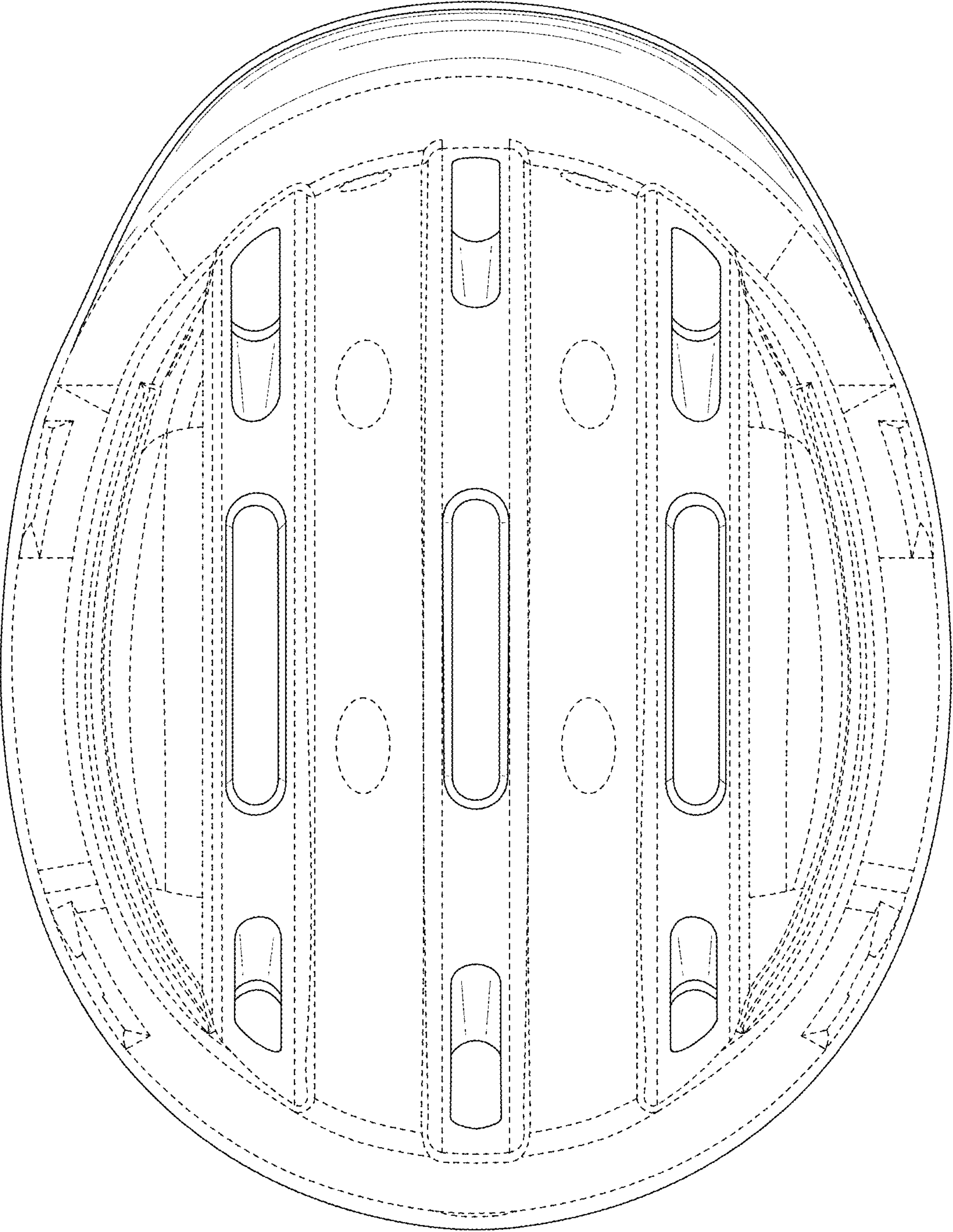


FIG. 8