



US00D963945S

(12) **United States Design Patent**
Wang

(10) **Patent No.:** **US D963,945 S**

(45) **Date of Patent:** **** Sep. 13, 2022**

(54) **MAKE-UP SPONGE HOLDER**

(71) Applicant: **Shenzhen Qianyue Technology Co., Ltd.**, Shenzhen (CN)

(72) Inventor: **Chunyan Wang**, Tai'an (CN)

(**) Term: **15 Years**

(21) Appl. No.: **29/779,983**

(22) Filed: **Apr. 22, 2021**

(51) **LOC (13) Cl.** **28-03**

(52) **U.S. Cl.**

USPC **D28/73; D7/511**

(58) **Field of Classification Search**

USPC D28/73; D7/510-511

CPC B65D 2543/00046; A45D 33/34; A45D

2200/05; A45D 2200/1009

See application file for complete search history.

(56) **References Cited**

U.S. PATENT DOCUMENTS

D438,298 S *	2/2001	McNutt	D23/366
D477,185 S	7/2003	Janky		
8,701,914 B1 *	4/2014	Buck	B65D 81/3869
				229/403
D816,162 S *	4/2018	Fassi	D19/85
D822,904 S *	7/2018	Palmer	D9/661
D876,896 S *	3/2020	Wu	D7/511
D901,975 S	11/2020	Jacobsen		

D908,431 S	1/2021	Jacobsen		
2014/0203032 A1 *	7/2014	Prescott	B65D 43/0212
				220/719
2017/0102183 A1 *	4/2017	Palmer	F26B 9/003
2021/0289966 A1 *	9/2021	Chuang	B65D 43/0202

OTHER PUBLICATIONS

Coffee Cup Makeup Sponge Case by Foonbe, www.amazon.com, 1 page, reviewed as early as Dec. 2020 (Year: 2020).*

* cited by examiner

Primary Examiner — Jennifer Rivard

(74) *Attorney, Agent, or Firm* — Shengmao Mu; Whitewood Law PLLC

(57) **CLAIM**

What is claimed is an ornamental design for a make-up sponge holder, as shown and described.

DESCRIPTION

FIG. 1 is a perspective view of a make-up sponge holder showing my new design;

FIG. 2 is a side elevational view thereof;

FIG. 3 is a bottom plan view thereof;

FIG. 4 is a top plan view thereof; and,

FIG. 5 is a perspective view of the make-up sponge holder with the lid removed and placed next to the holder.

1 Claim, 5 Drawing Sheets

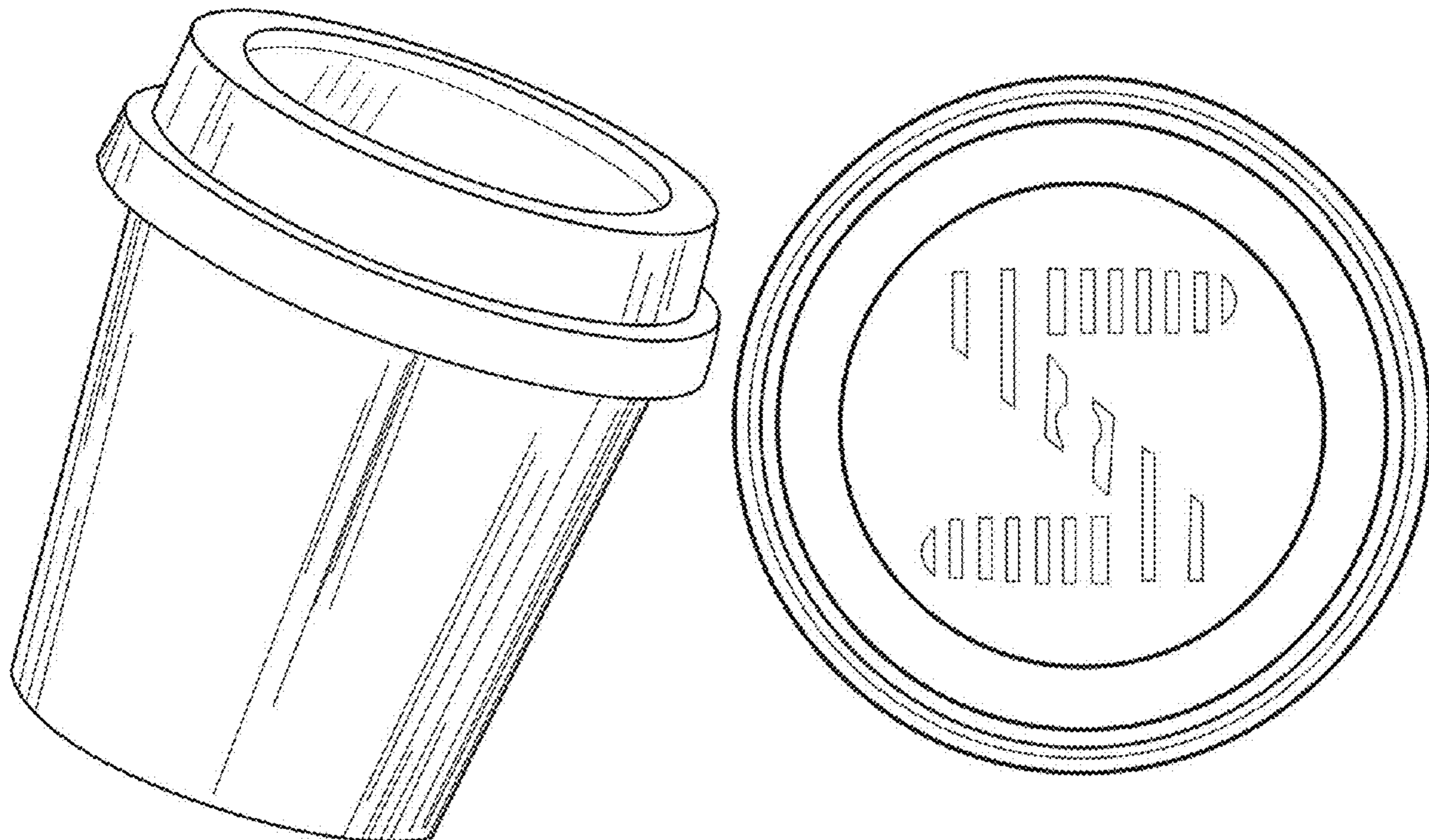




FIG.1

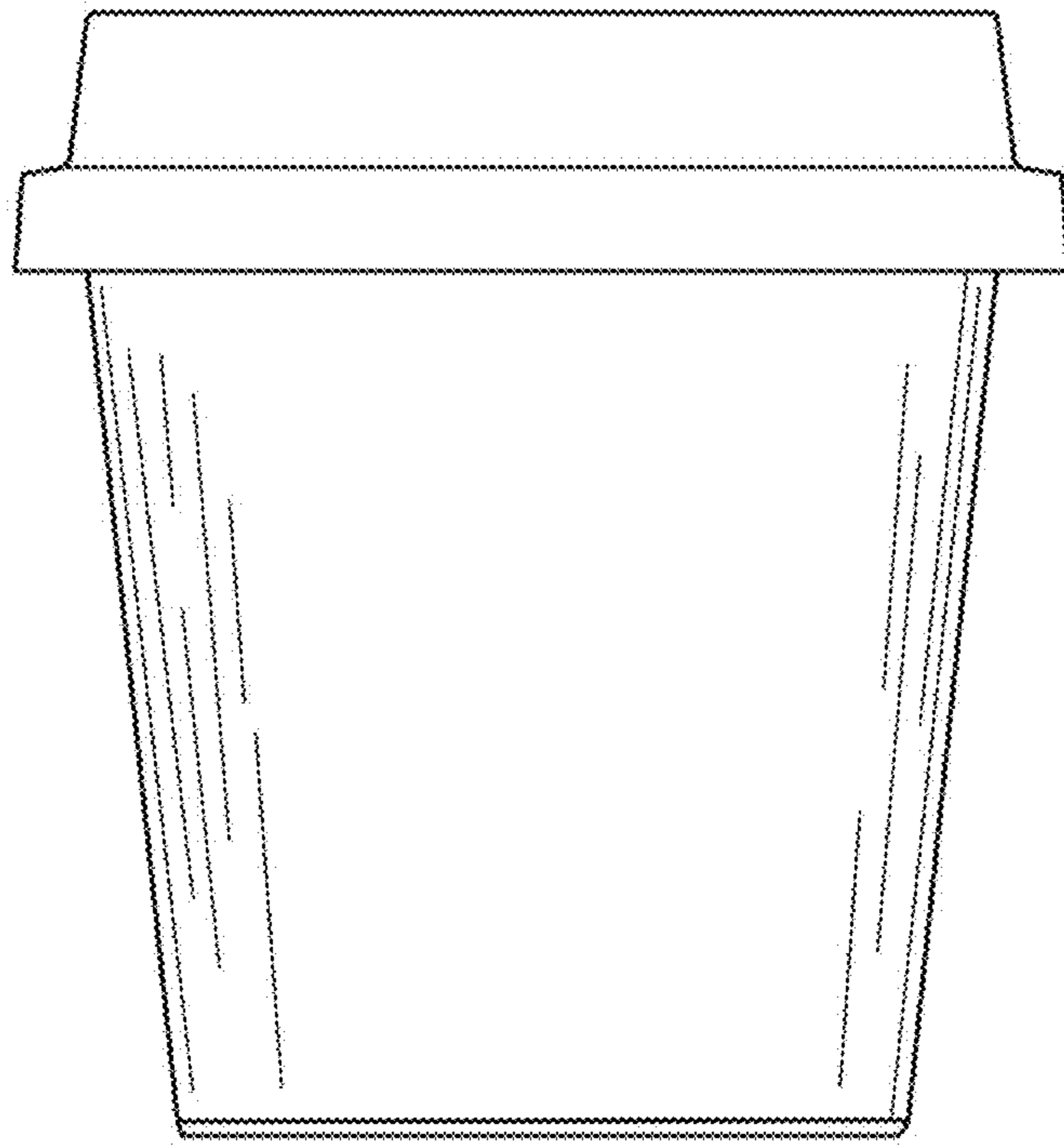


FIG. 2

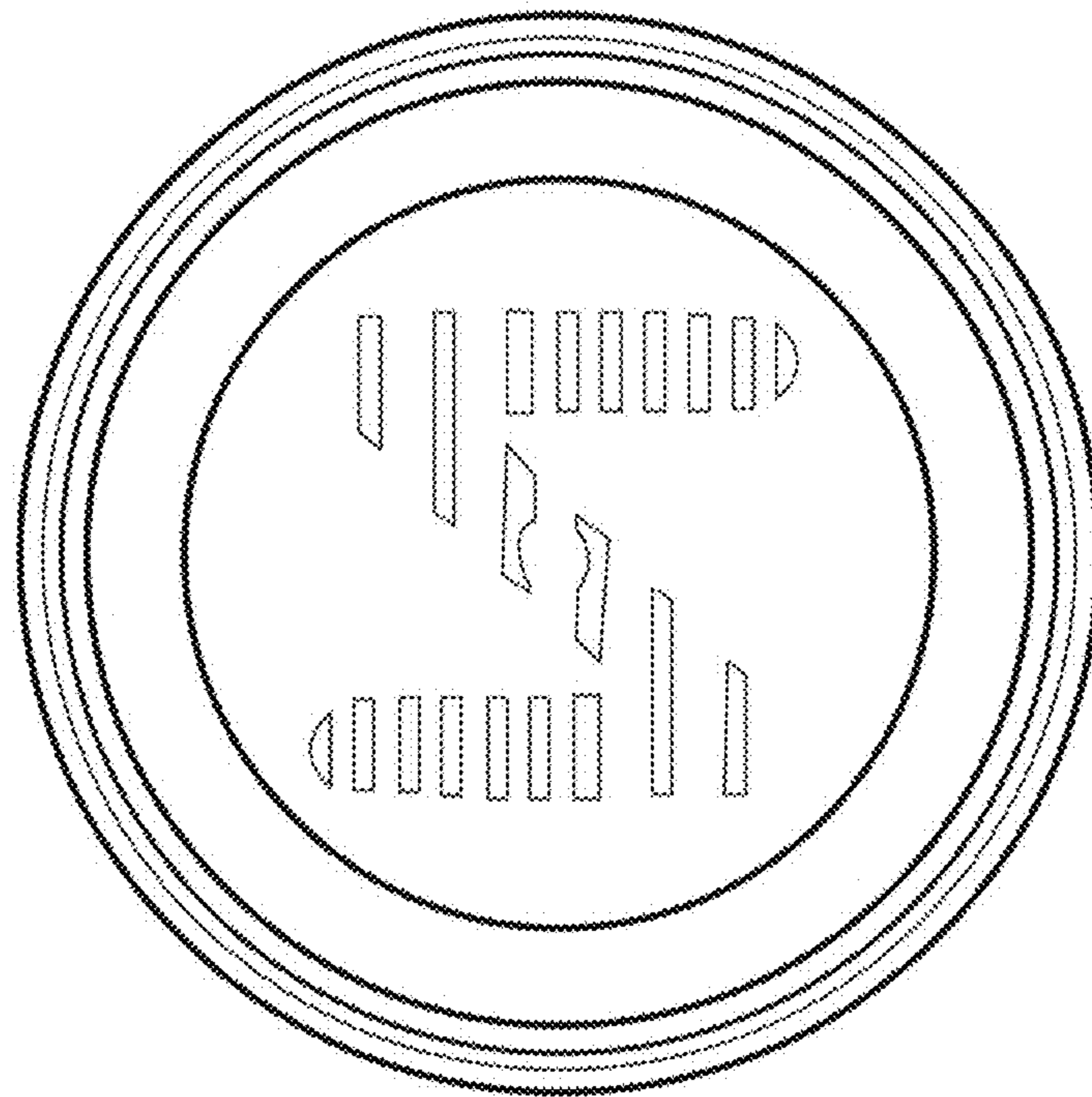


FIG.3

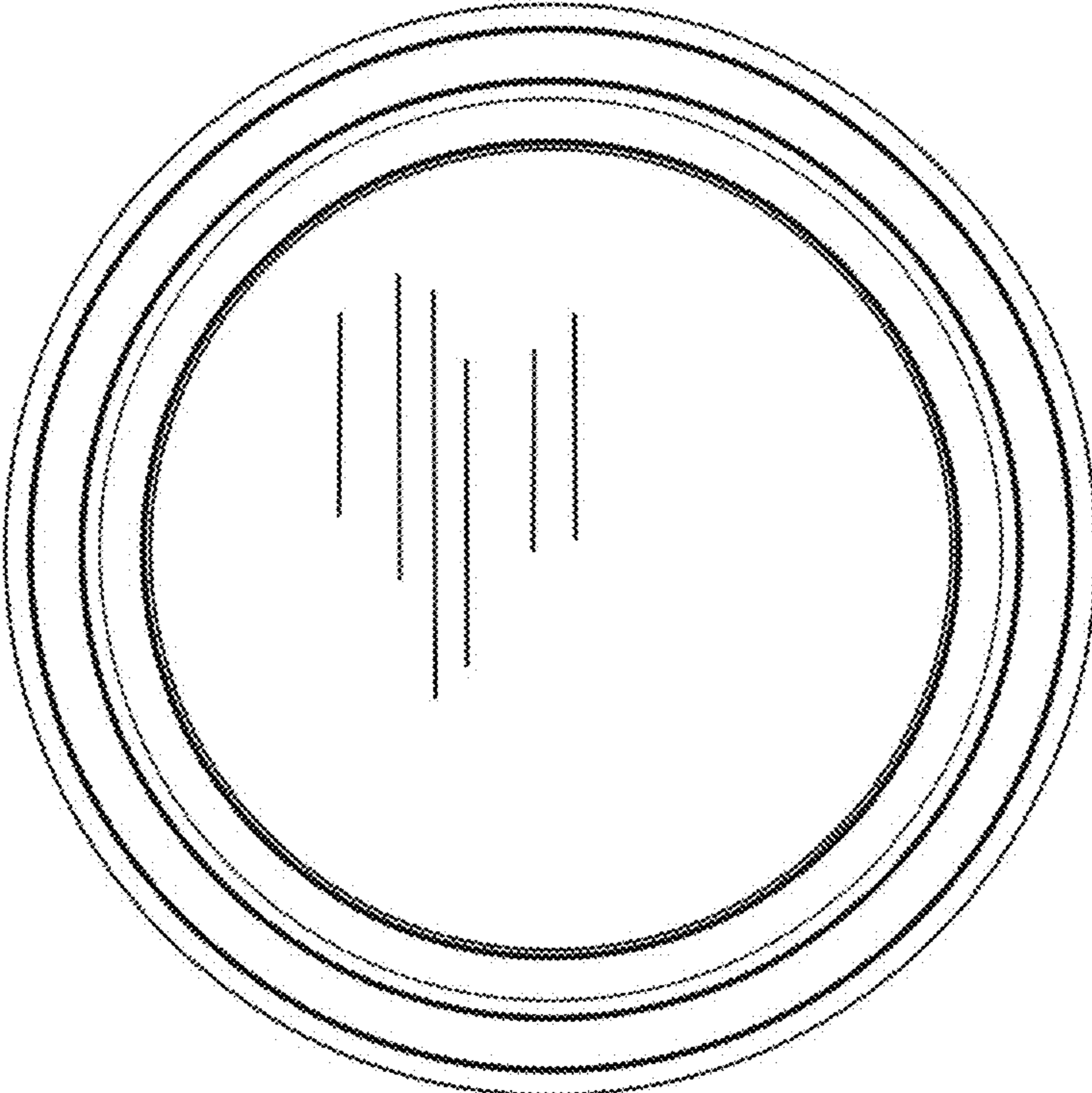


FIG.4

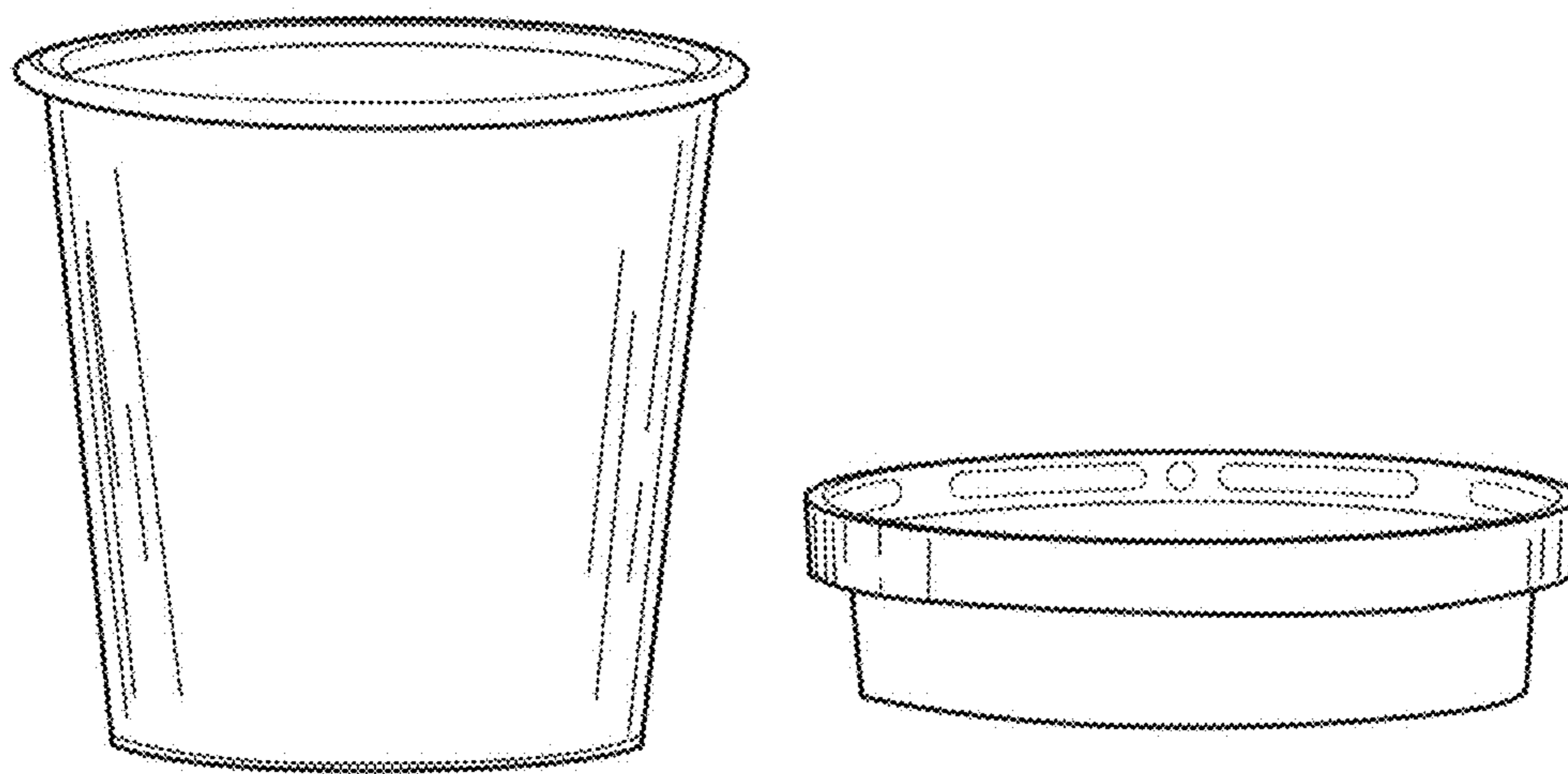


FIG.5