



US00D963944S

(12) **United States Design Patent**
Kim

(10) **Patent No.:** **US D963,944 S**

(45) **Date of Patent:** **** Sep. 13, 2022**

(54) **HANDPIECE FOR SKIN CARE DEVICE**

D886,370 S * 6/2020 Soutelo Gomes D28/7
D913,586 S * 3/2021 Thomason D28/13
D914,898 S * 3/2021 Britt D24/200

(71) Applicant: **CLASSYS INC.**, Seoul (KR)

(72) Inventor: **Jin Yong Kim**, Seoul (KR)

(73) Assignee: **CLASSYS INC.**, Seoul (KR)

(**) Term: **15 Years**

(21) Appl. No.: **29/739,551**

(22) Filed: **Jun. 26, 2020**

(51) **LOC (13) Cl.** **28-03**

(52) **U.S. Cl.**
USPC **D28/73**

(58) **Field of Classification Search**
USPC D28/73, 4, 7, 9, 99; D23/213, 223;
D24/133, 187, 188, 231, 232
CPC A61K 8/00; A61Q 19/00
See application file for complete search history.

(56) **References Cited**

U.S. PATENT DOCUMENTS

D442,740 S * 5/2001 Wolfe D28/13
D472,015 S * 3/2003 Young D28/13
D511,861 S * 11/2005 Fernandez D23/223
D646,847 S * 10/2011 Correll, Jr. D28/13
D661,017 S * 5/2012 Ahn D28/7
D757,953 S * 5/2016 Philips D24/200
D774,252 S * 12/2016 Guzzi D28/13
D792,651 S * 7/2017 Petruccielli D28/73

OTHER PUBLICATIONS

Skin care device By: JOOM fopund on line May 17, 2021 <https://www.joom.com/en/products/5e6b4dd936b54d010162c824> (Sep. 2020).*

* cited by examiner

Primary Examiner — Rebecca Tsehaye

(74) *Attorney, Agent, or Firm* — WHDA, LLP

(57) **CLAIM**

The ornamental design for a handpiece for skin care device, as shown and described herein.

DESCRIPTION

FIG. 1 is a perspective view of handpiece for skin care device, showing our new design;
FIG. 2 is a front elevational view thereof;
FIG. 3 is a rear elevational view thereof;
FIG. 4 is a left side elevational view thereof;
FIG. 5 is a right side elevational view thereof;
FIG. 6 is a top view thereof; and,
FIG. 7 is a bottom view thereof.

The broken lines in the drawings illustrate portions of handpiece for skin care device that form no part of the claimed design.

1 Claim, 7 Drawing Sheets

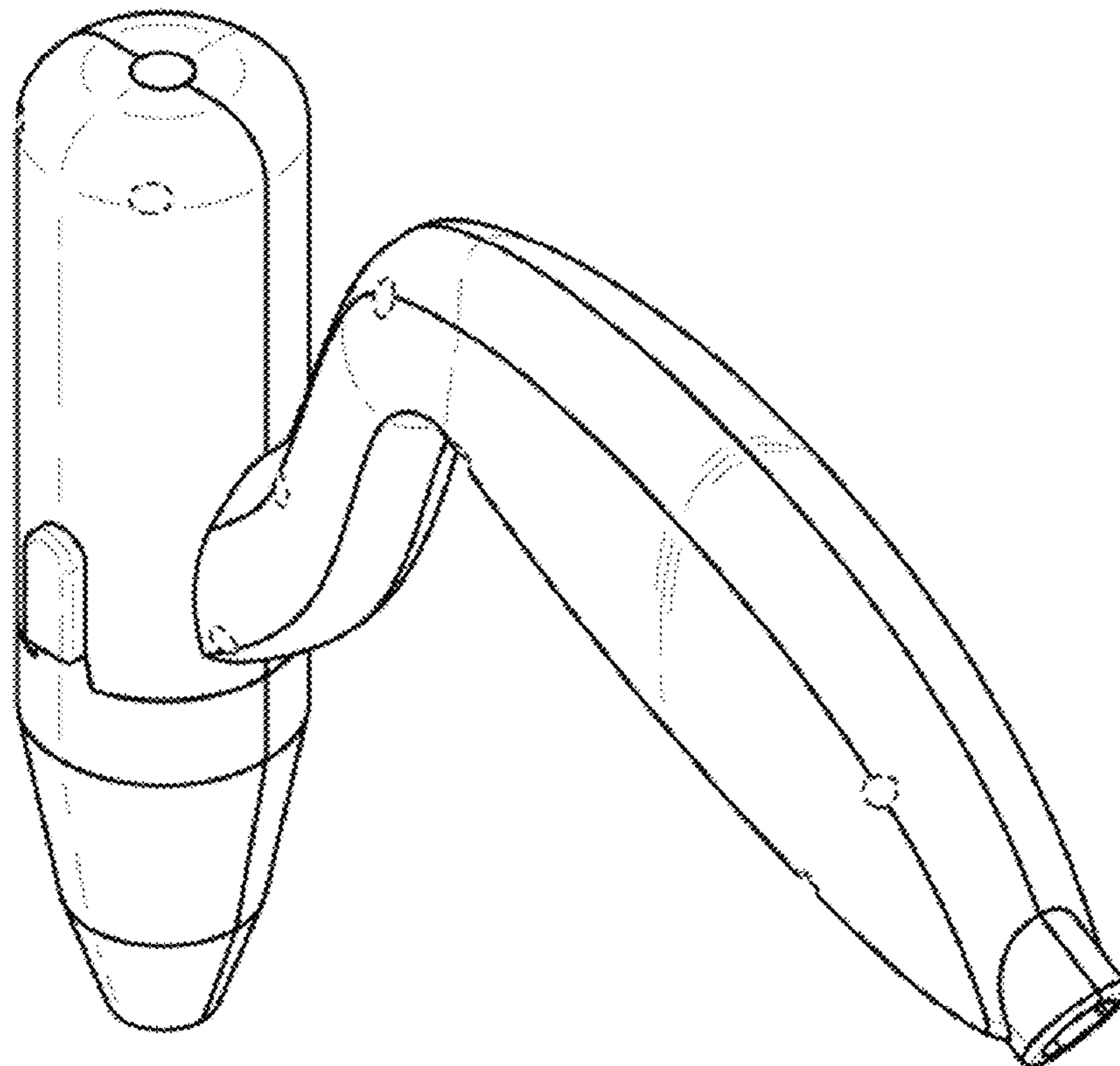


FIG. 1

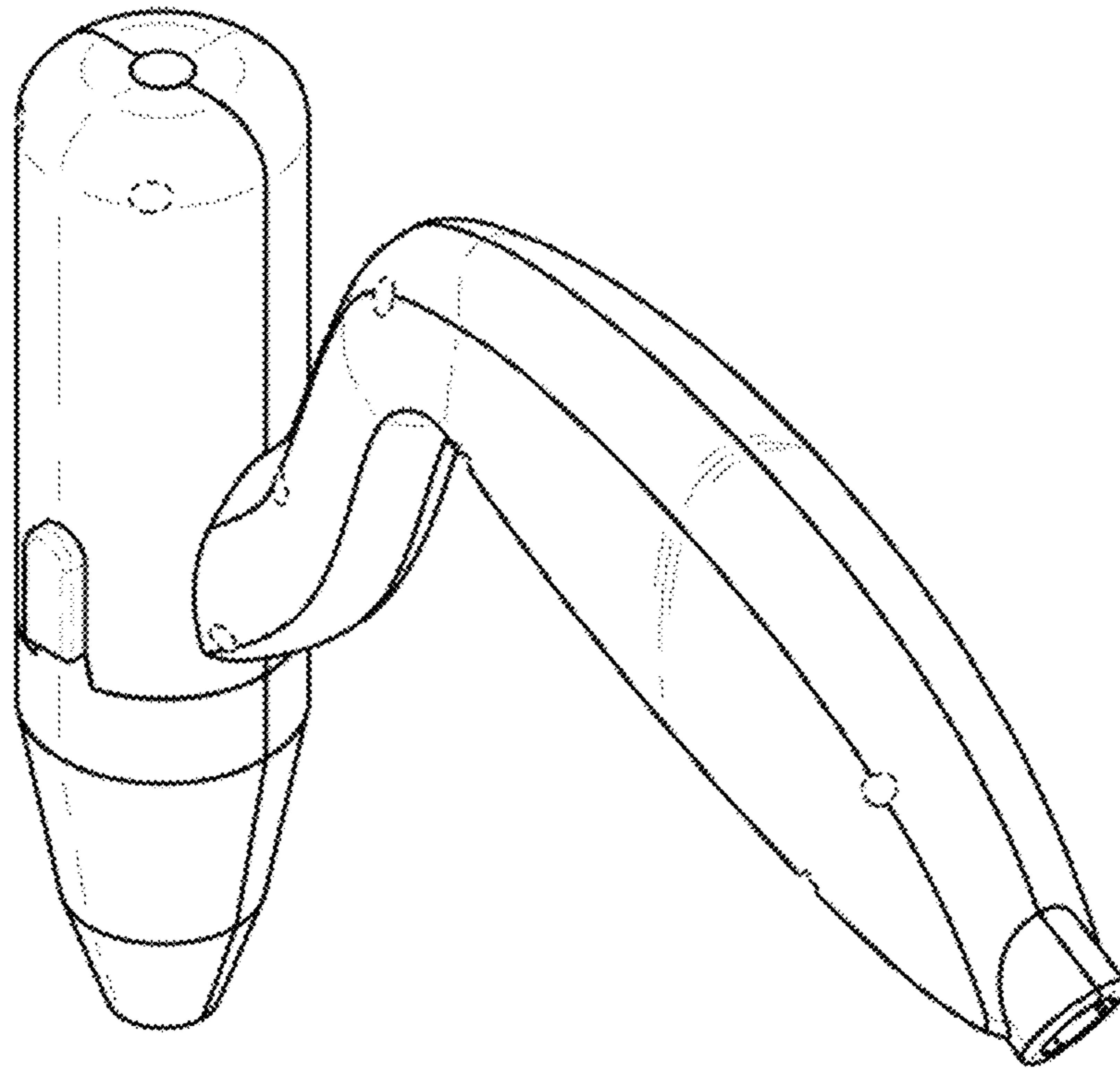


FIG. 2

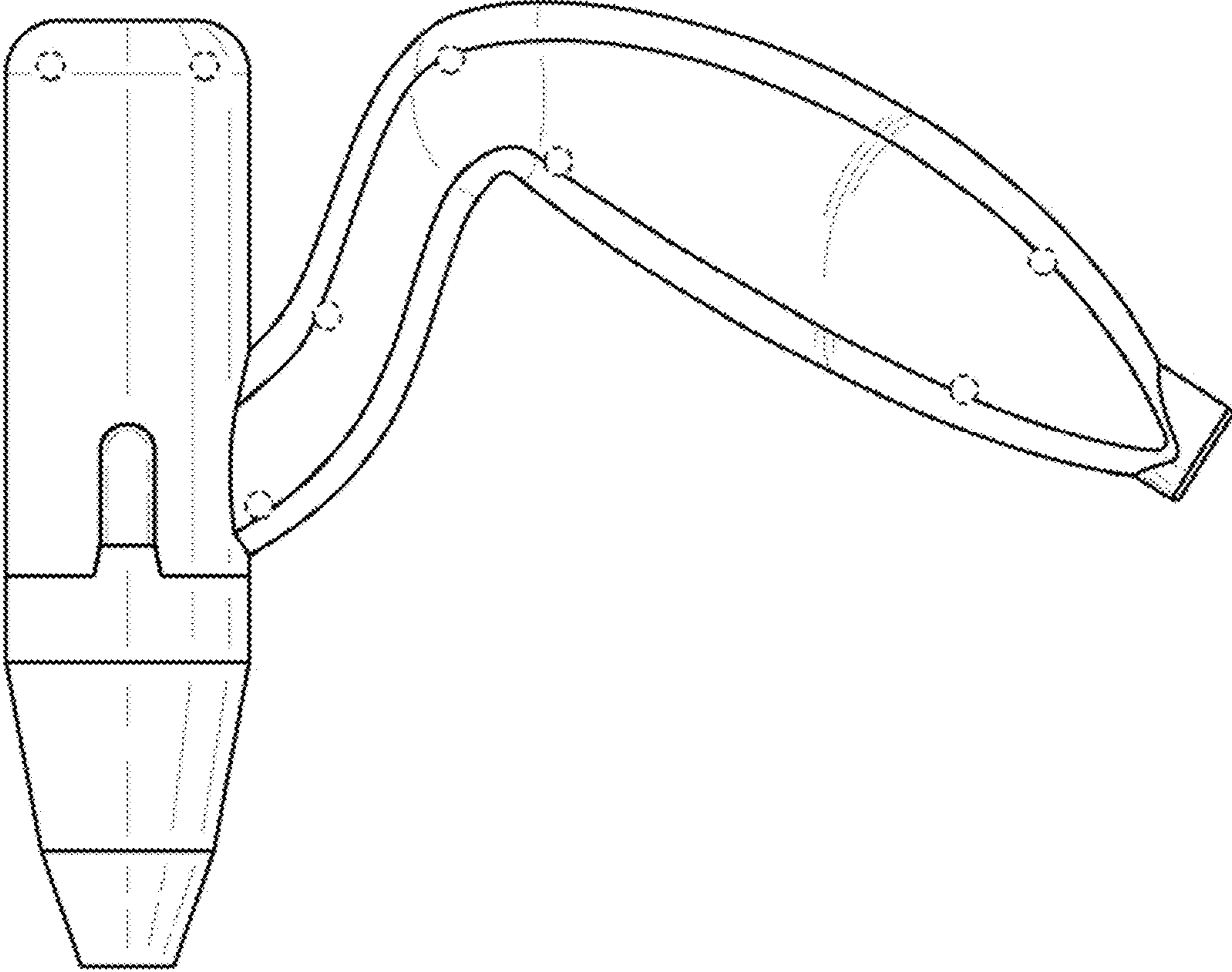


FIG. 3

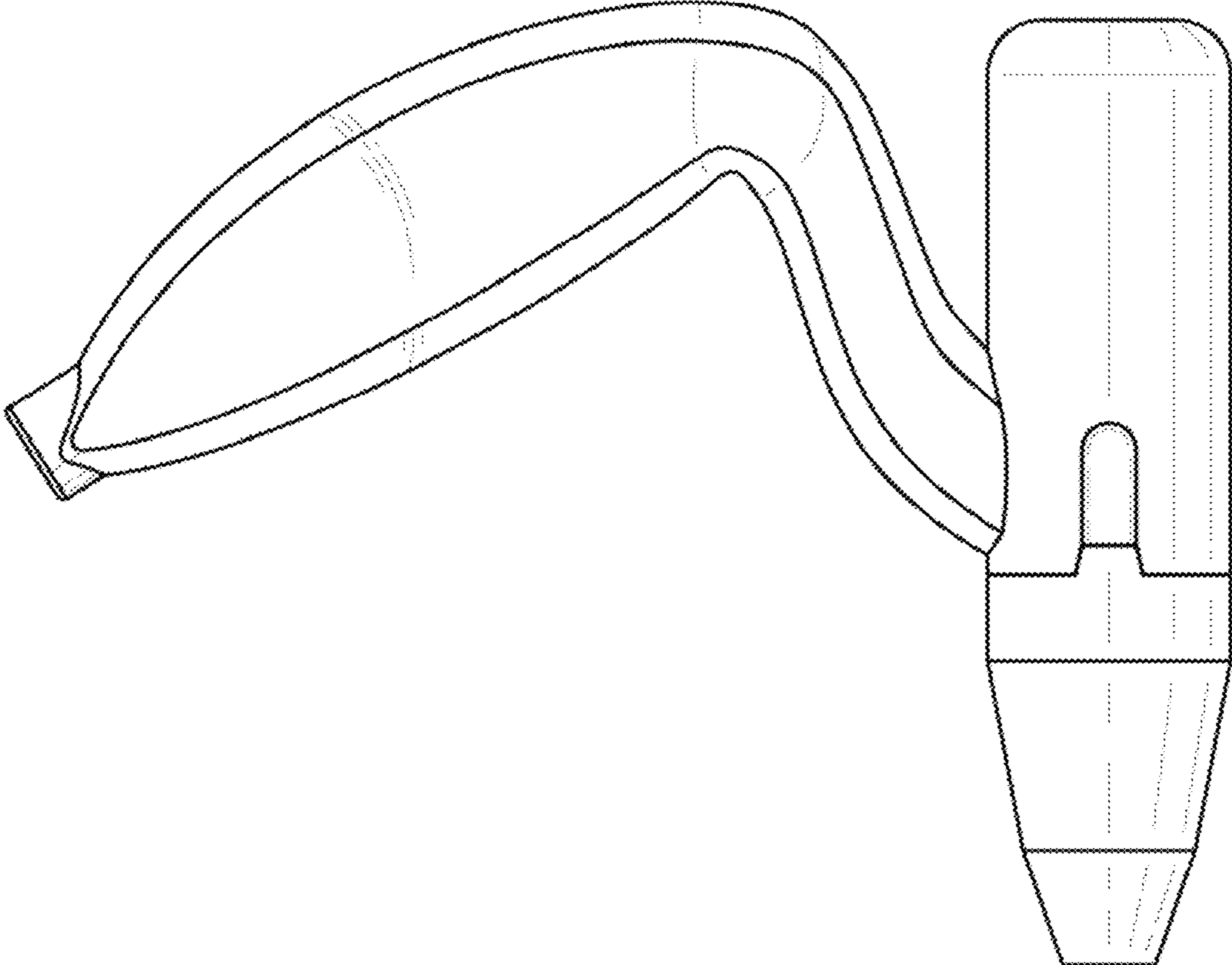


FIG. 4

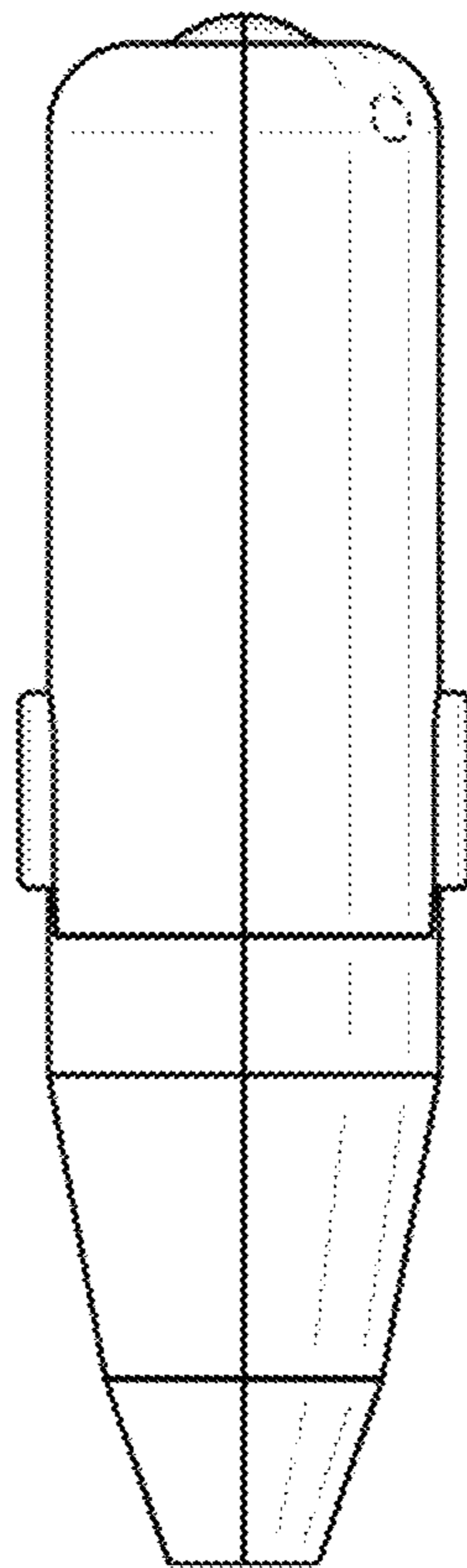


FIG. 5

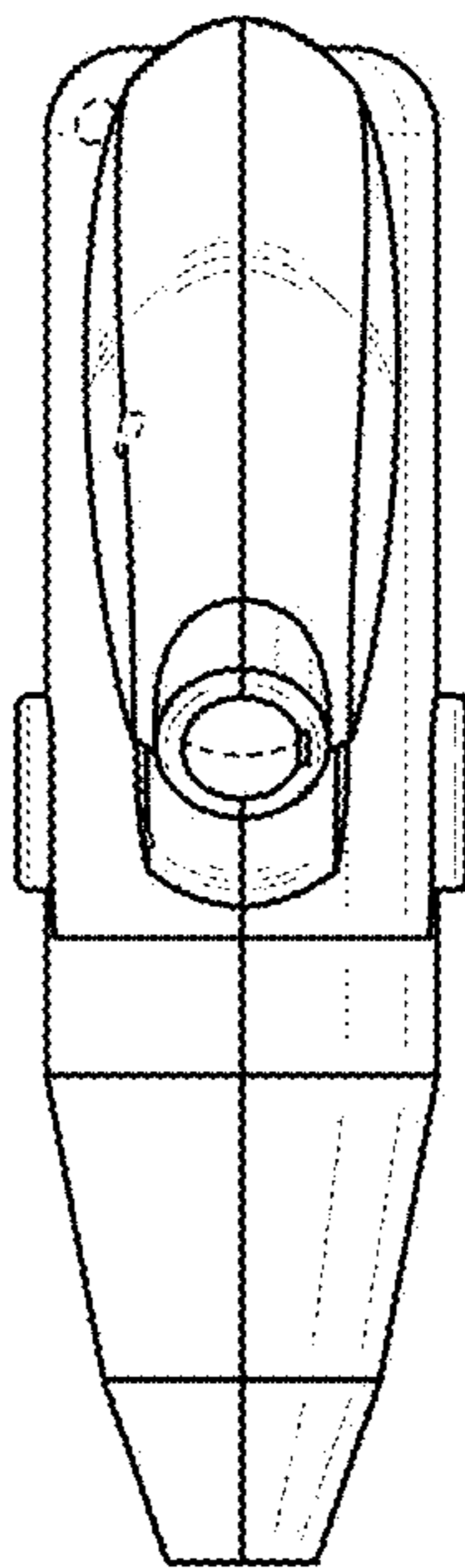


FIG. 6

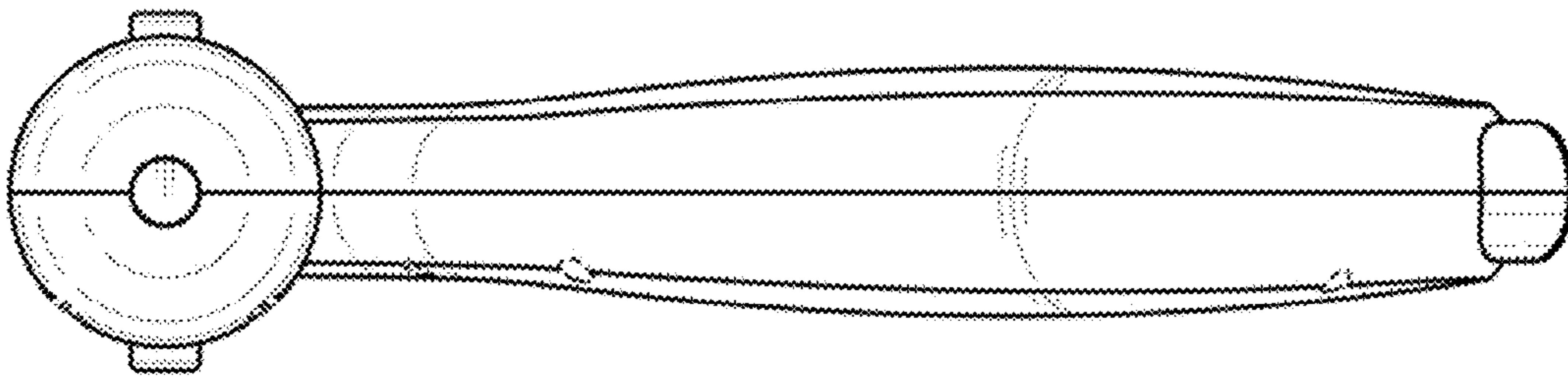


FIG. 7

