



US00D963943S

(12) **United States Design Patent**
Van Roosmalen

(10) **Patent No.:** **US D963,943 S**

(45) **Date of Patent:** **** Sep. 13, 2022**

(54) **HEAD FOR SHAVER**

(71) Applicant: **KONINKLIJKE PHILIPS N.V.**,
Eindhoven (NL)

(72) Inventor: **Jos Van Roosmalen**, Amsterdam (NL)

(73) Assignee: **KONINKLIJKE PHILIPS N.V.**,
Eindhoven (NL)

(**) Term: **15 Years**

(21) Appl. No.: **29/725,955**

(22) Filed: **Feb. 28, 2020**

(51) **LOC (13) Cl.** **28-03**

(52) **U.S. Cl.**
USPC **D28/54**

(58) **Field of Classification Search**
USPC D28/50–54
CPC B26B 19/14–18; B26B 19/3846; B26B
19/3873–3893; B26B 19/3853–3866
See application file for complete search history.

(56) **References Cited**

U.S. PATENT DOCUMENTS

D758,014 S *	5/2016	Smith	D28/50
D758,017 S *	5/2016	Smith	D28/54
D777,375 S *	1/2017	Frankel	D28/50
D777,376 S *	1/2017	Frankel	D28/50
9,919,437 B2 *	3/2018	Veltman	B26B 19/388
D848,072 S *	5/2019	Prat-Pfister	D28/50
10,357,890 B2 *	7/2019	Yan	B26B 19/3866
10,471,612 B2 *	11/2019	Shimizu	B26B 19/146
D880,064 S *	3/2020	Andersson	D28/50
D884,972 S *	5/2020	Andersson	D28/50
D889,042 S *	6/2020	Andersson	D28/50
10,926,425 B2 *	2/2021	Zak	B26B 19/3846
D912,902 S *	3/2021	Andersson	D28/50
D914,290 S *	3/2021	Kulshreshtha	D28/50
10,946,536 B2 *	3/2021	Winters	B26B 19/146
D932,697 S *	10/2021	Van Roosmalen	D28/50
D932,698 S *	10/2021	Van Roosmalen	D28/50

D932,699 S * 10/2021 Van Roosmalen D28/50
D932,700 S * 10/2021 Van Roosmalen D28/50
D933,894 S * 10/2021 Van Roosmalen D28/50

(Continued)

Primary Examiner — Jennifer Rivard

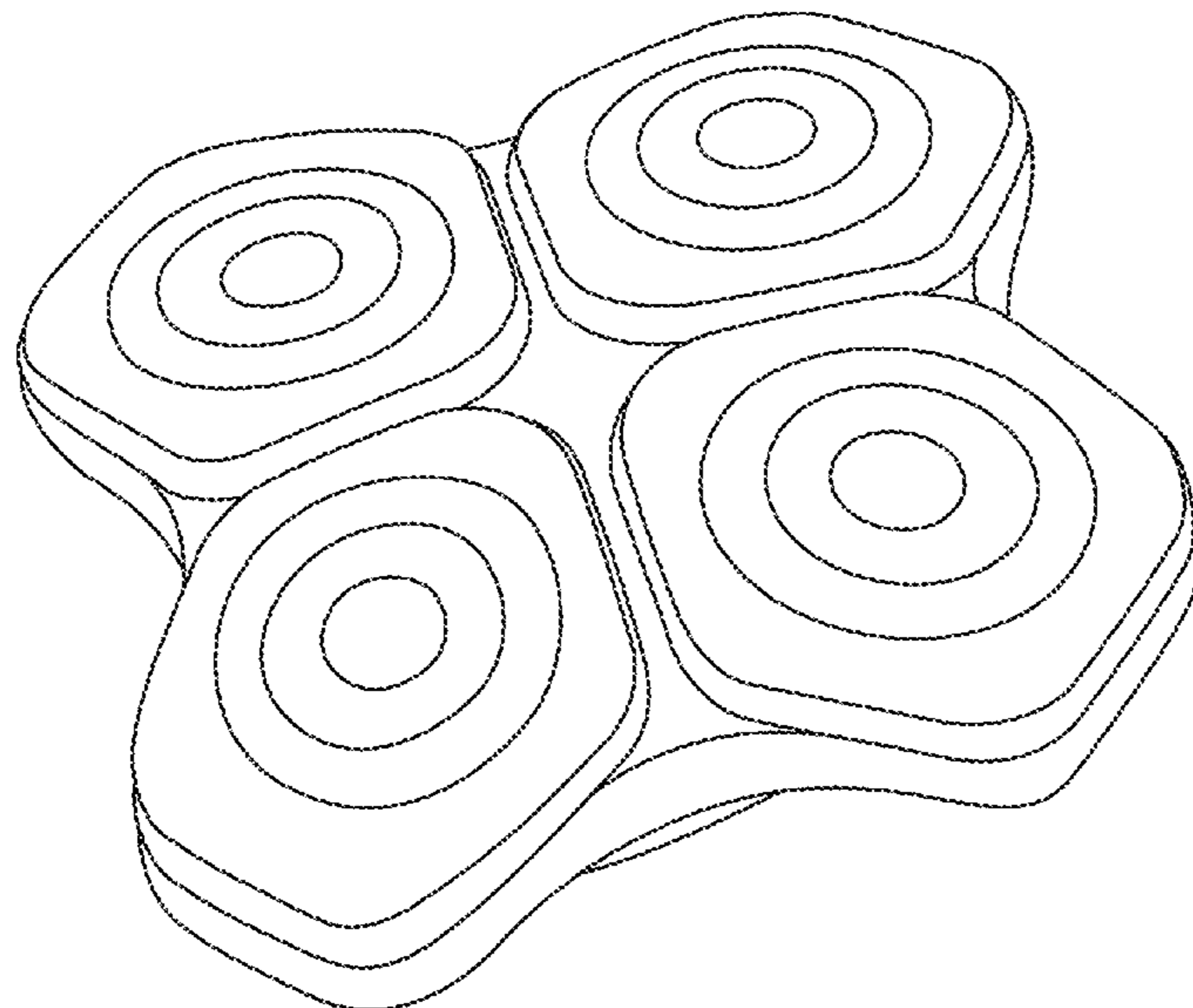
(57) **CLAIM**

The ornamental design for a head for shaver, as shown and described.

DESCRIPTION

FIG. 1 is a perspective view of a first embodiment showing a head for shaver according to my design;
FIG. 2 is a front elevational view thereof;
FIG. 3 is a perspective view of a second embodiment showing a head for shaver according to my design;
FIG. 4 is a front elevational view thereof;
FIG. 5 is a perspective view of a third embodiment showing a head for shaver according to my design;
FIG. 6 is a front elevational view thereof;
FIG. 7 a rear elevational view thereof;
FIG. 8 is a right side elevational view thereof;
FIG. 9 is a left side elevational view thereof;
FIG. 10 is a top plan view thereof;
FIG. 11 is a bottom plan view thereof;
FIG. 12 is a perspective view of a fourth embodiment showing a head for shaver according to my design;
FIG. 13 is a front elevational view thereof;
FIG. 14 is a rear elevational view thereof;
FIG. 15 is a right side elevational view thereof;
FIG. 16 is a left side elevational view thereof;
FIG. 17 is a top plan view thereof; and,
FIG. 18 is a bottom plan view thereof.
The portions of the head for shaver shown in broken lines are included for the purpose of illustrating unclaimed portions of the head for shaver and form no part of the claimed design.

1 Claim, 12 Drawing Sheets



(56)

References Cited

U.S. PATENT DOCUMENTS

D934,502 S * 10/2021 Van Roosmalen D28/50
2021/0069920 A1 * 3/2021 Kulshreshtha B26B 19/386

* cited by examiner

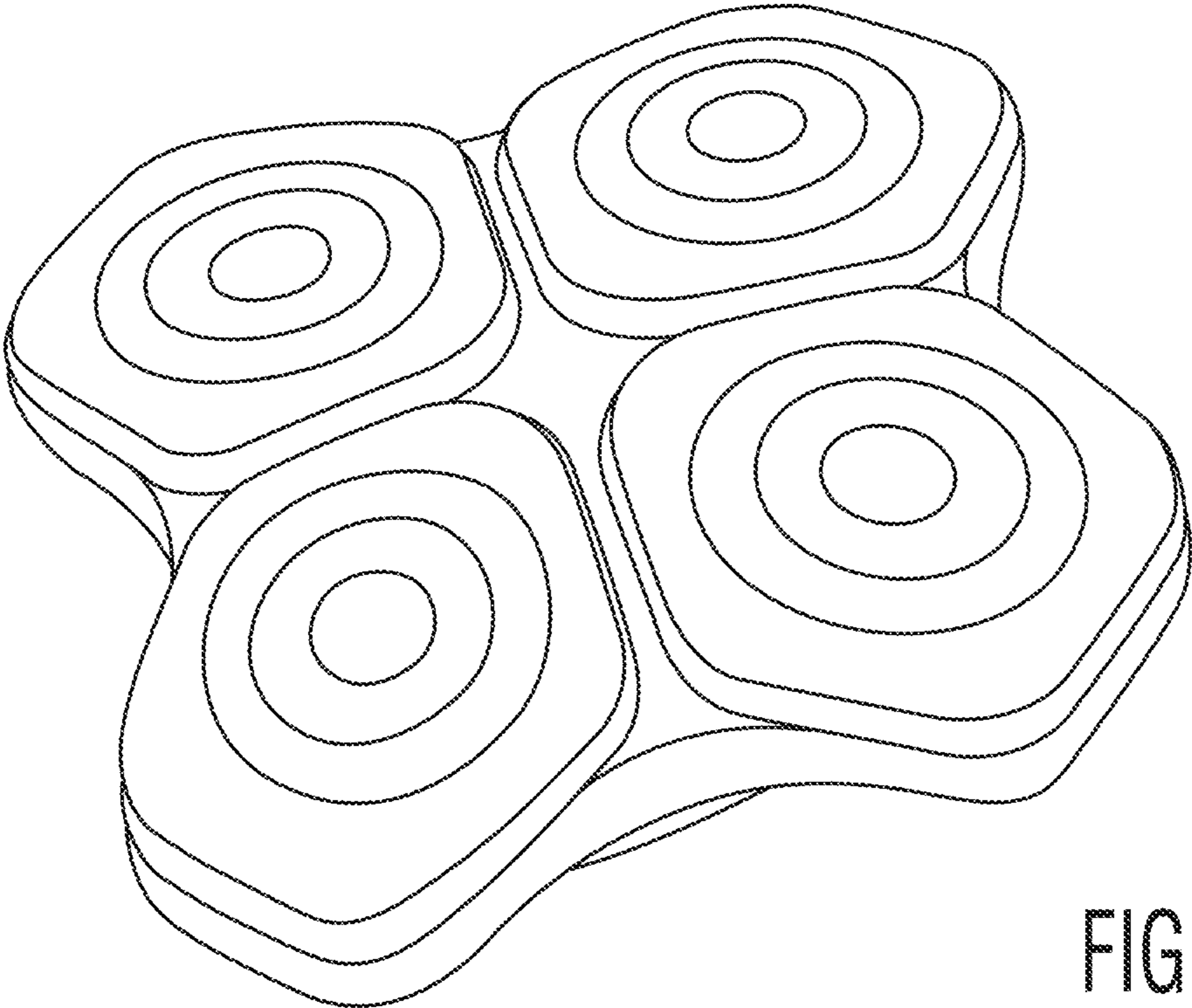


FIG. 1

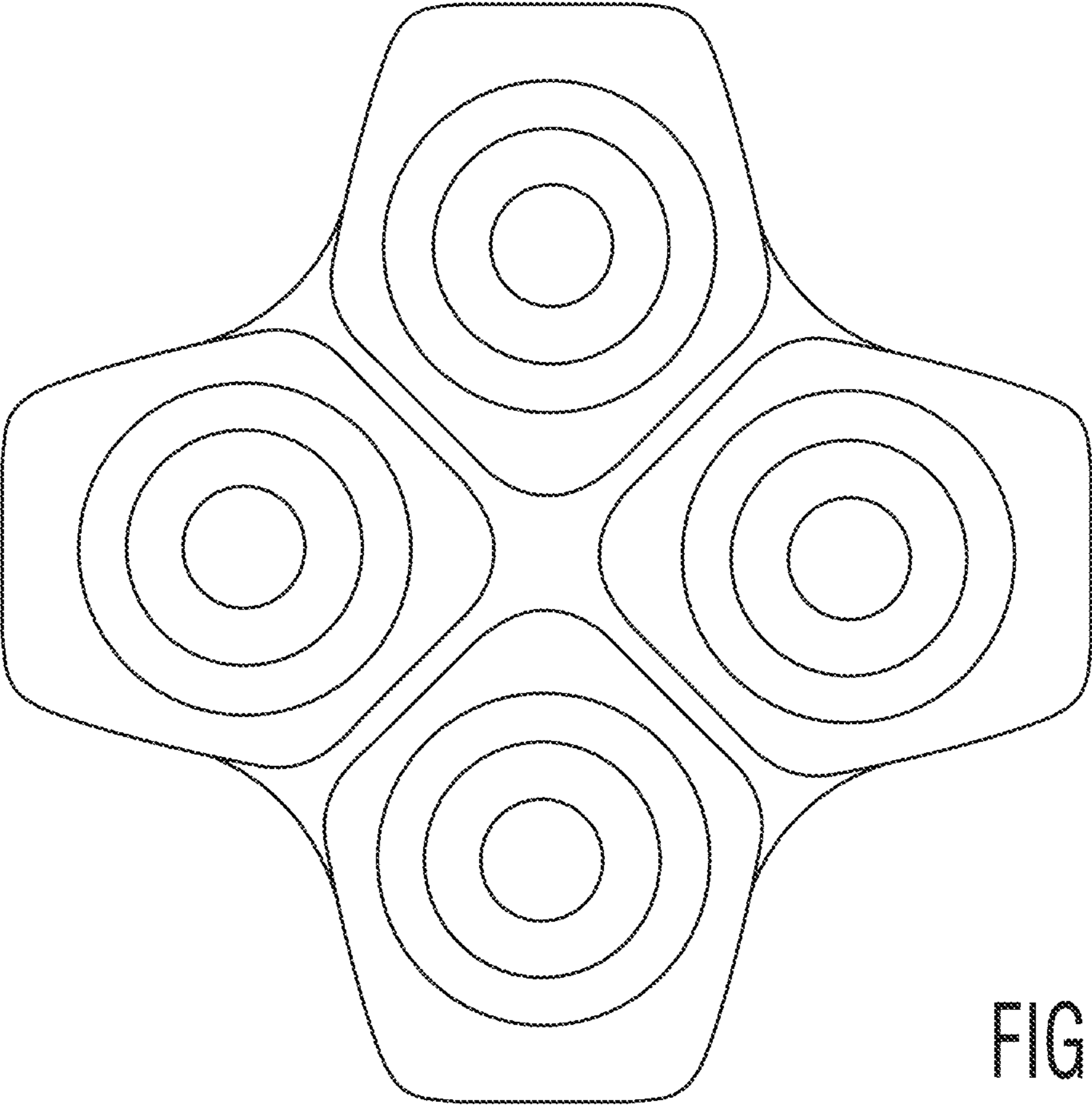


FIG. 2

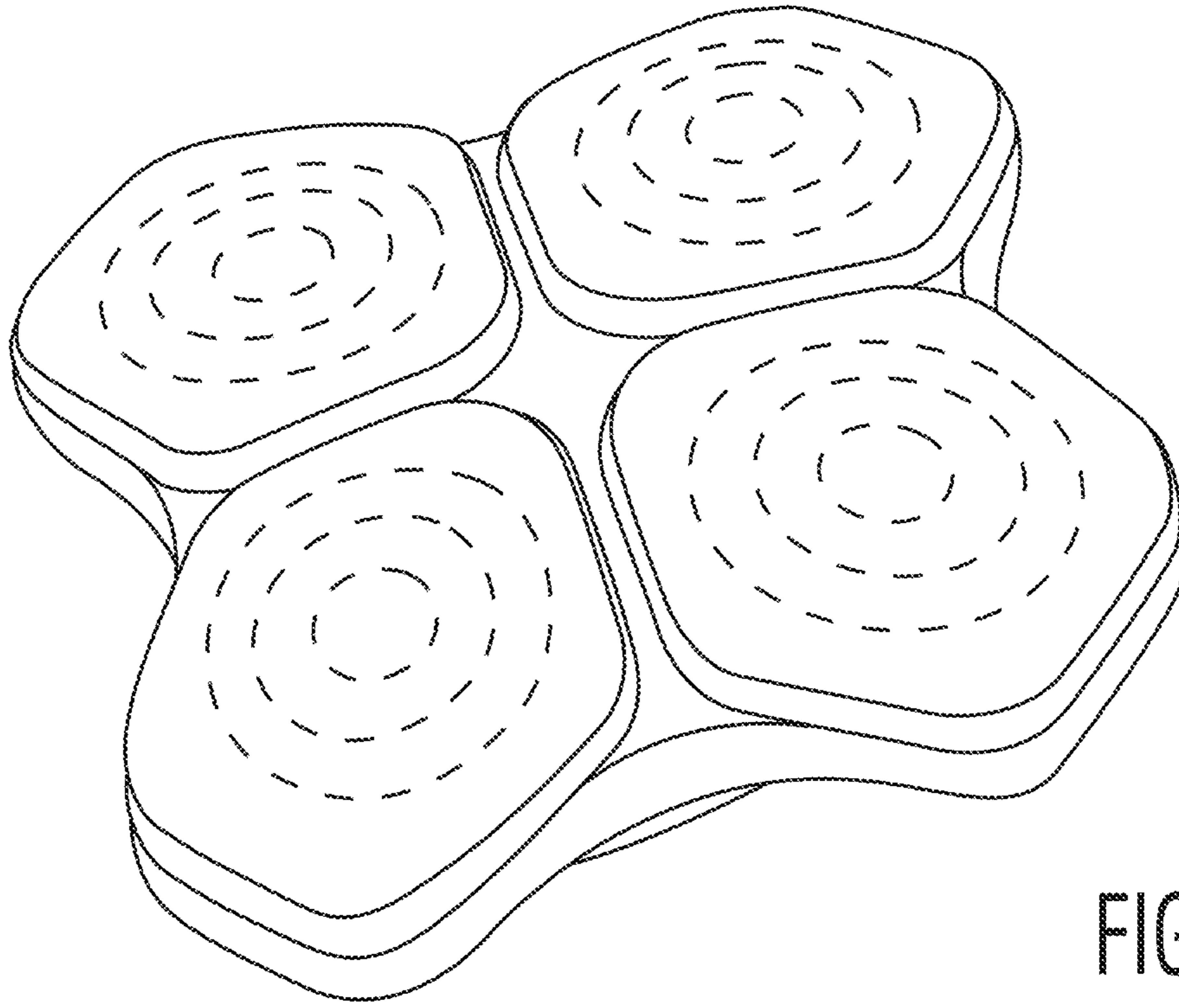


FIG. 3

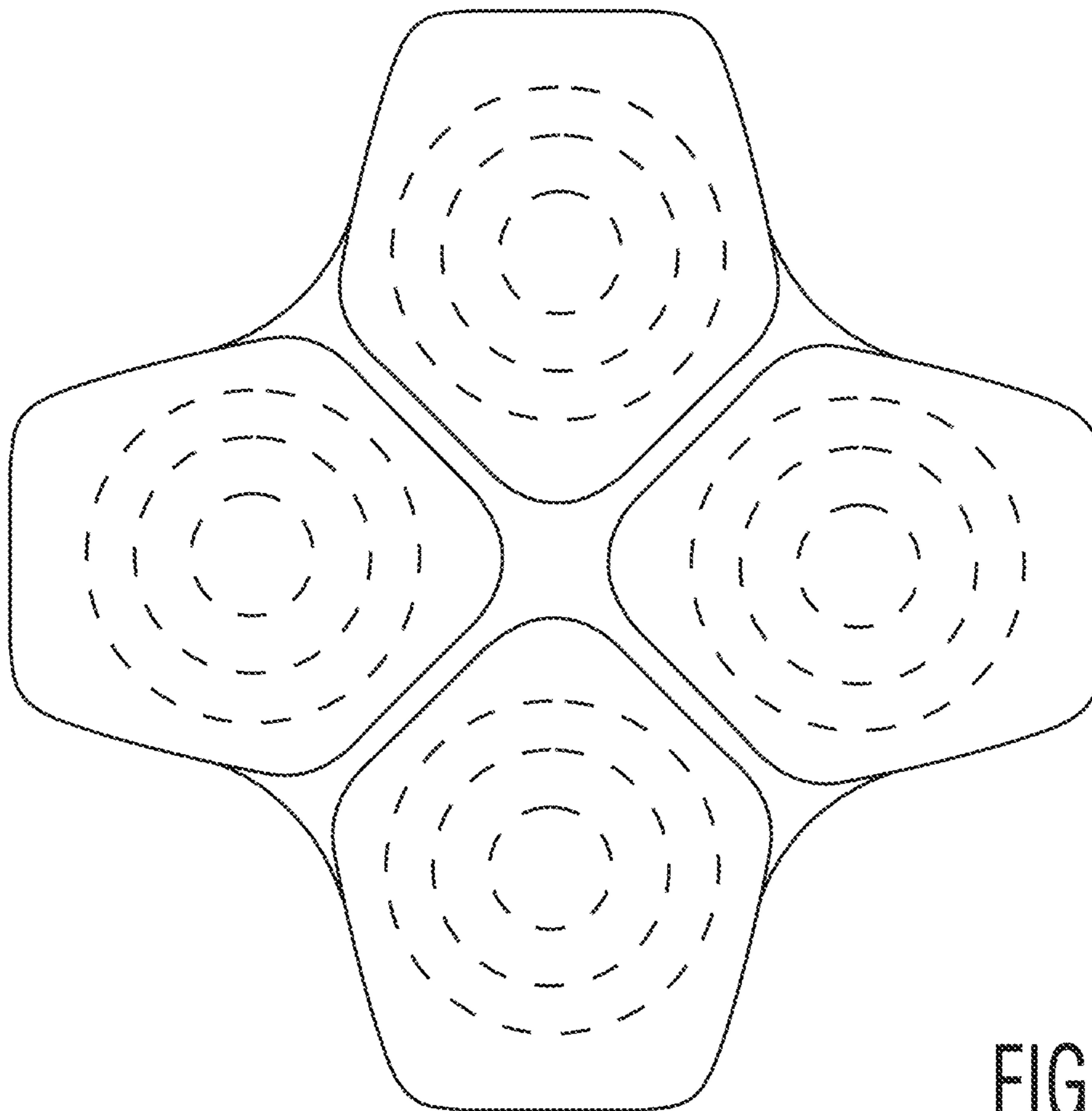


FIG. 4

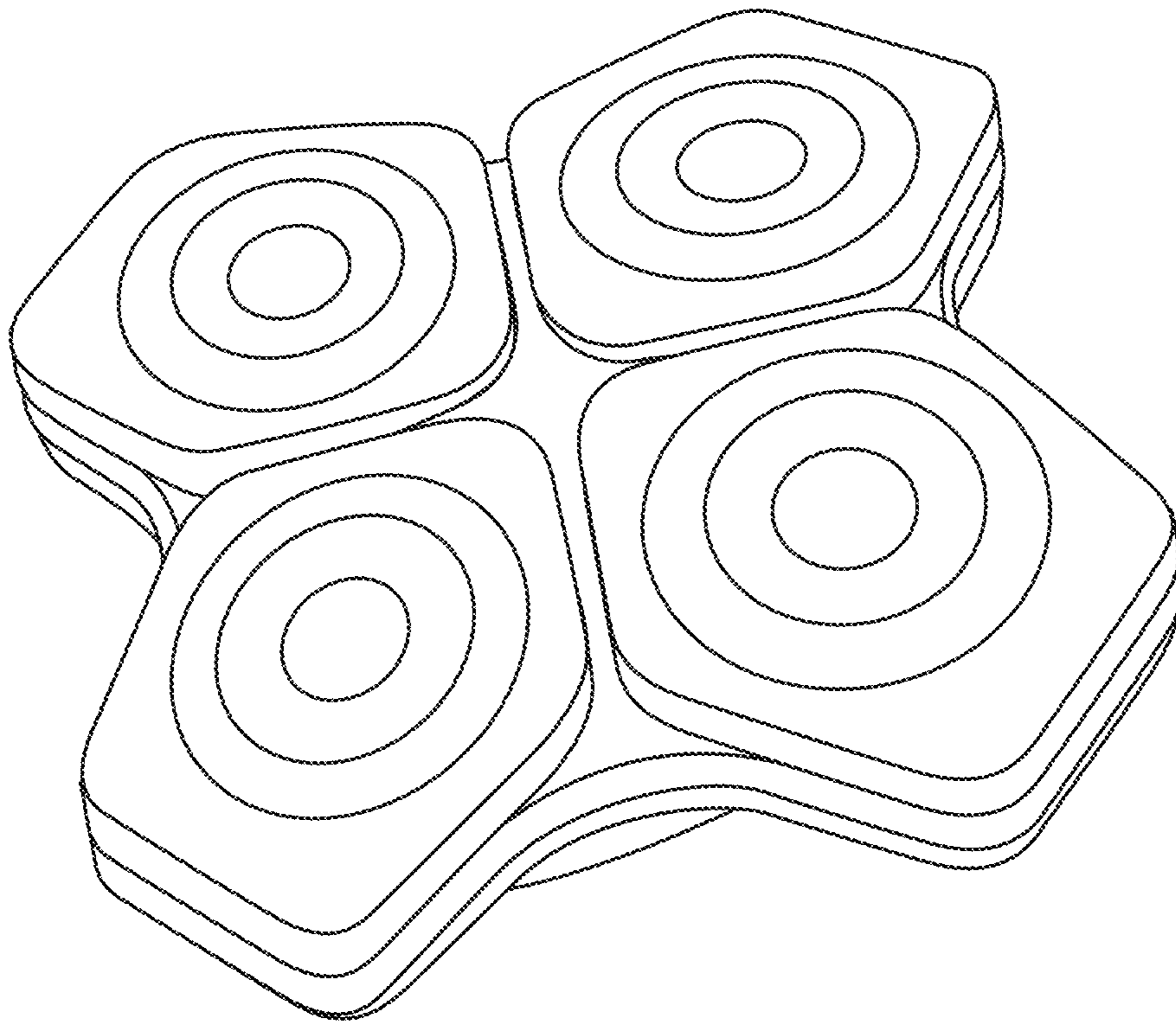


FIG. 5

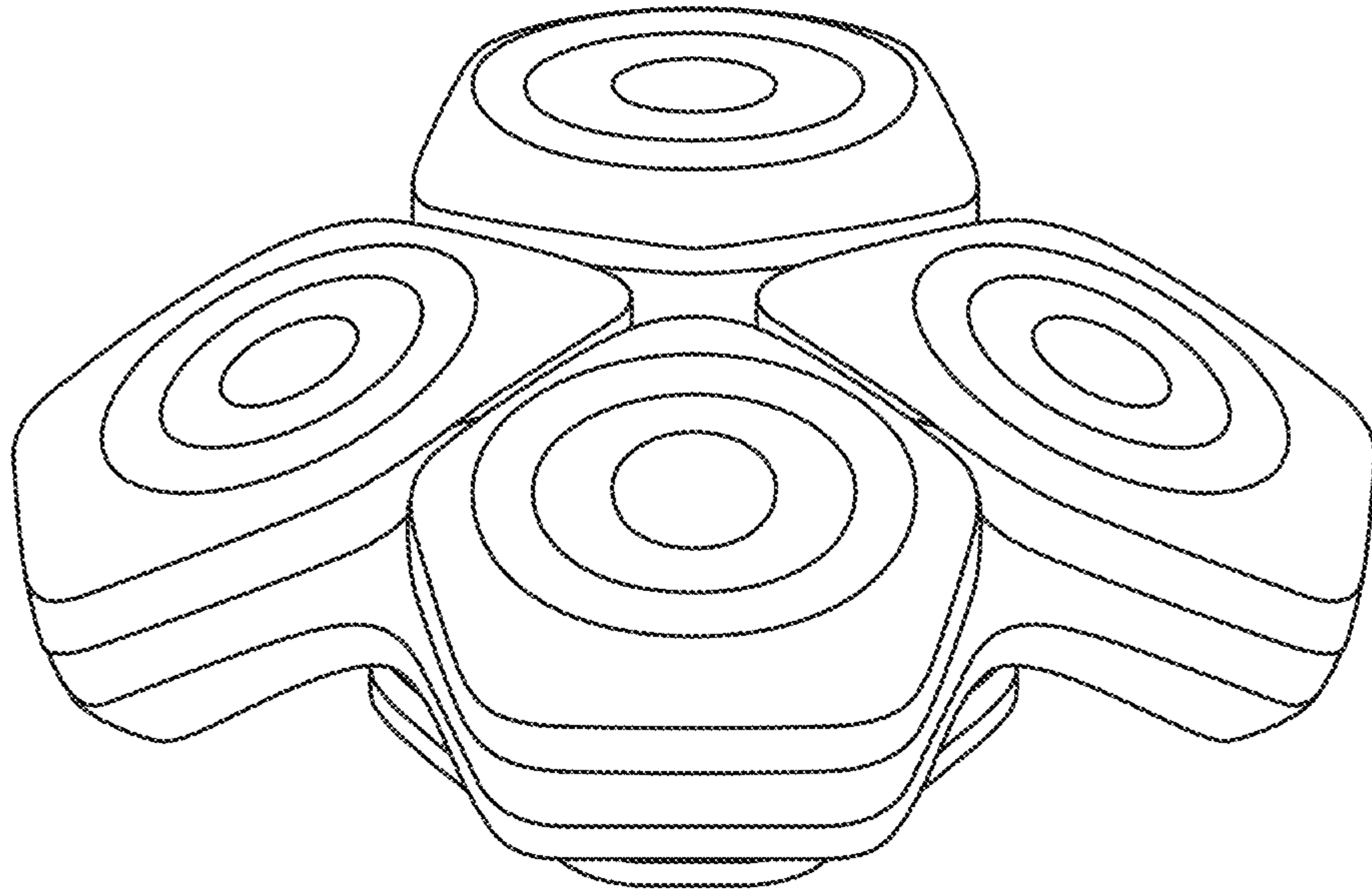


FIG. 6

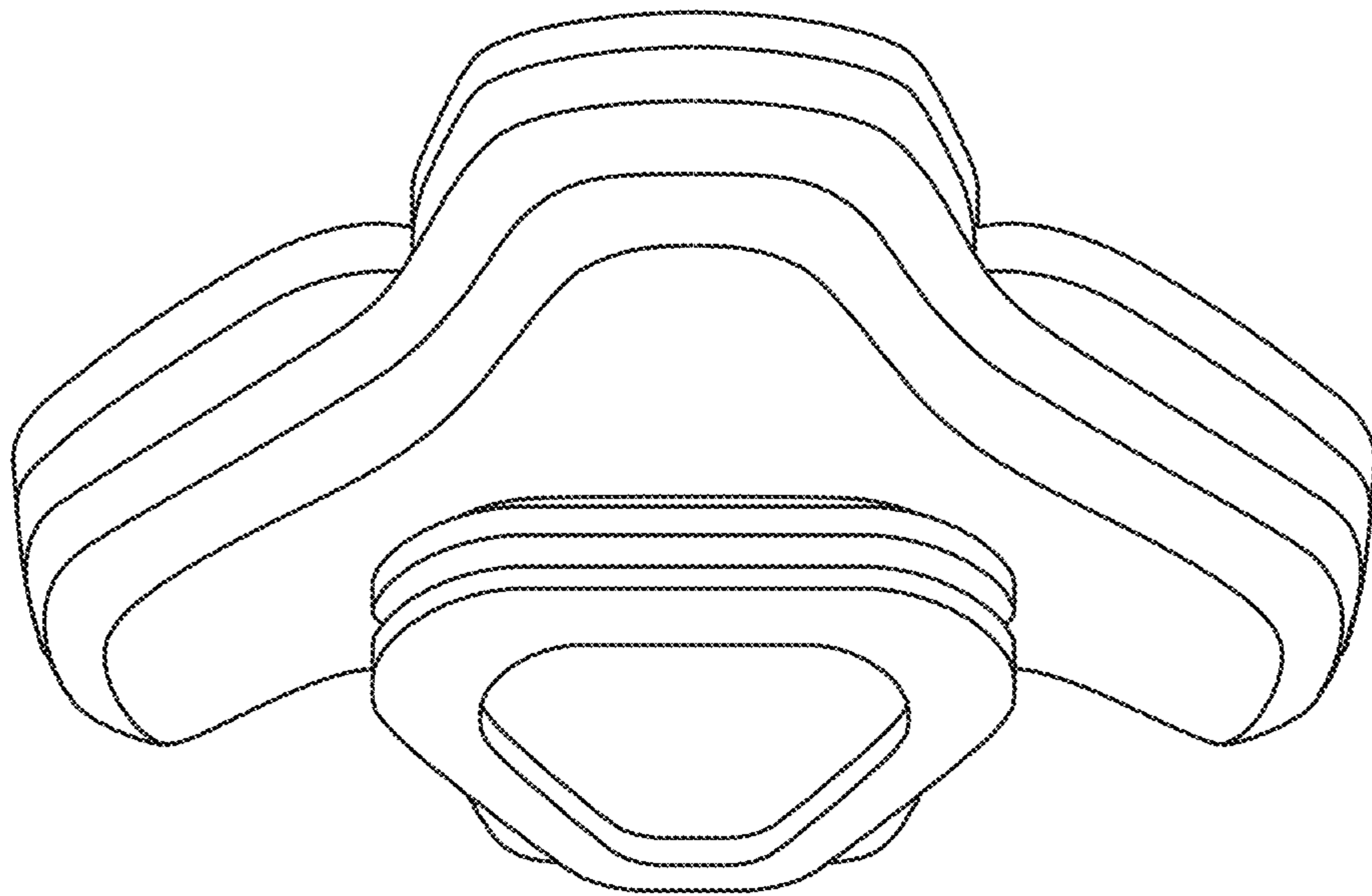


FIG. 7

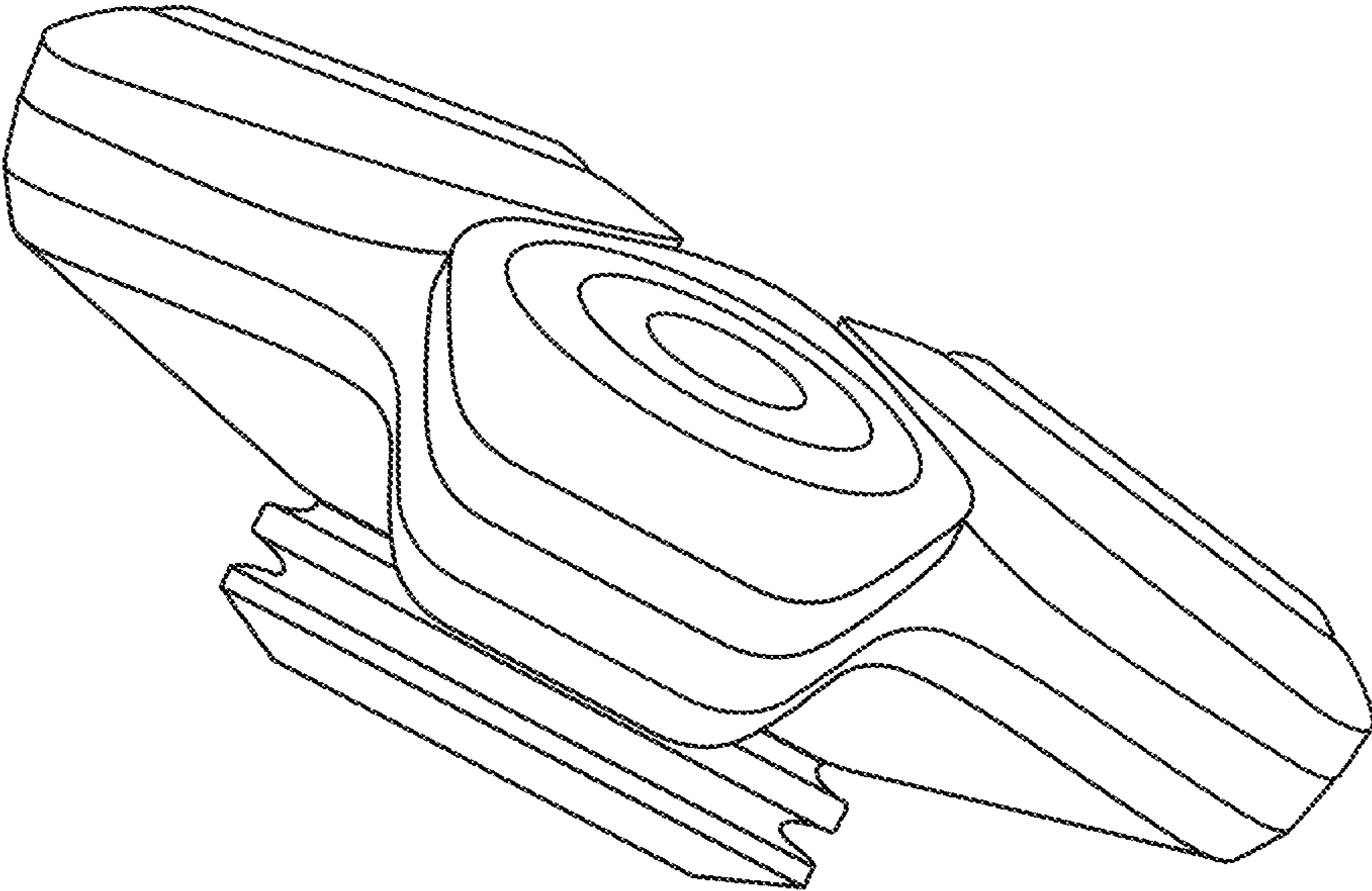


FIG. 8

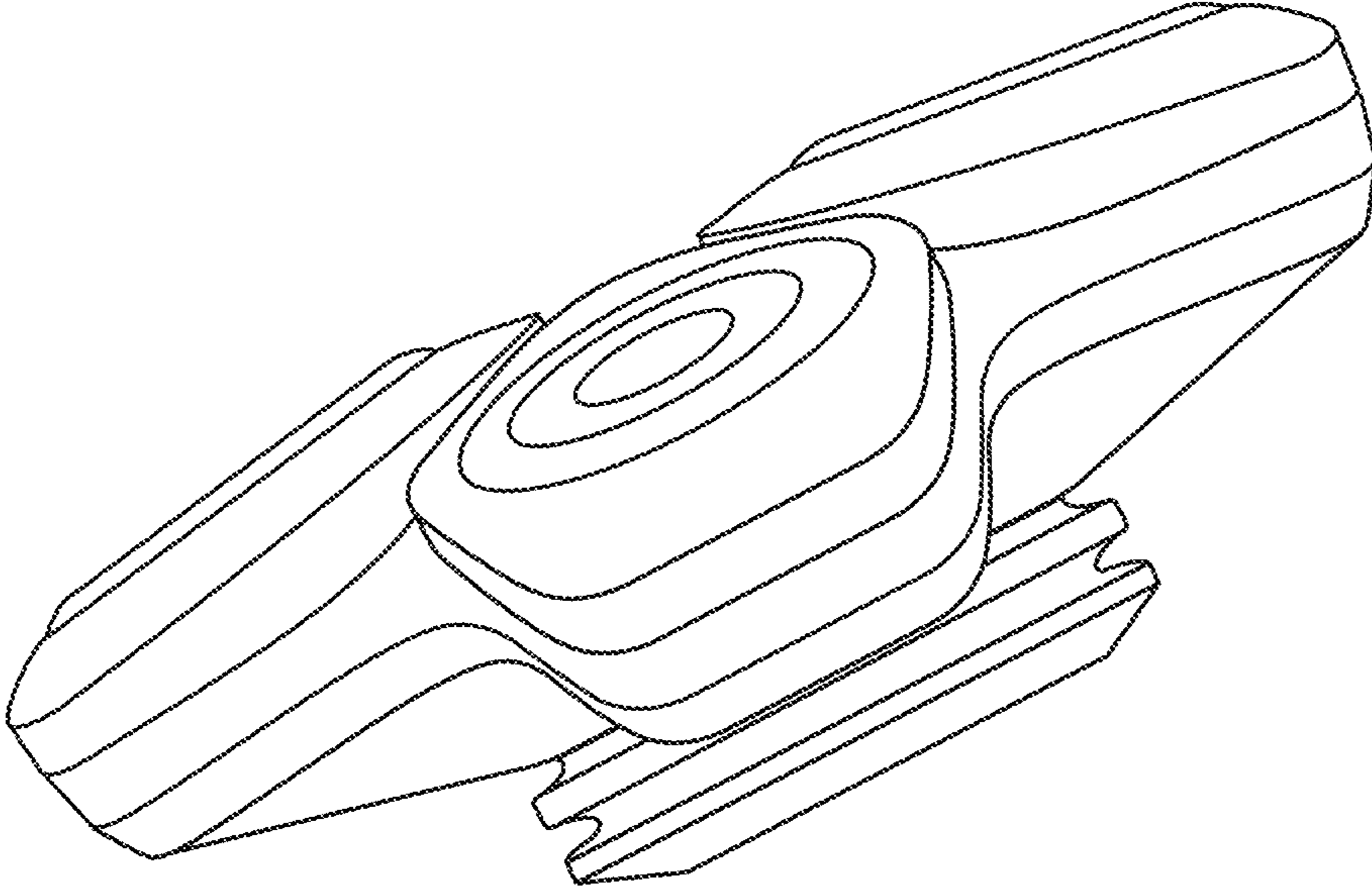


FIG. 9

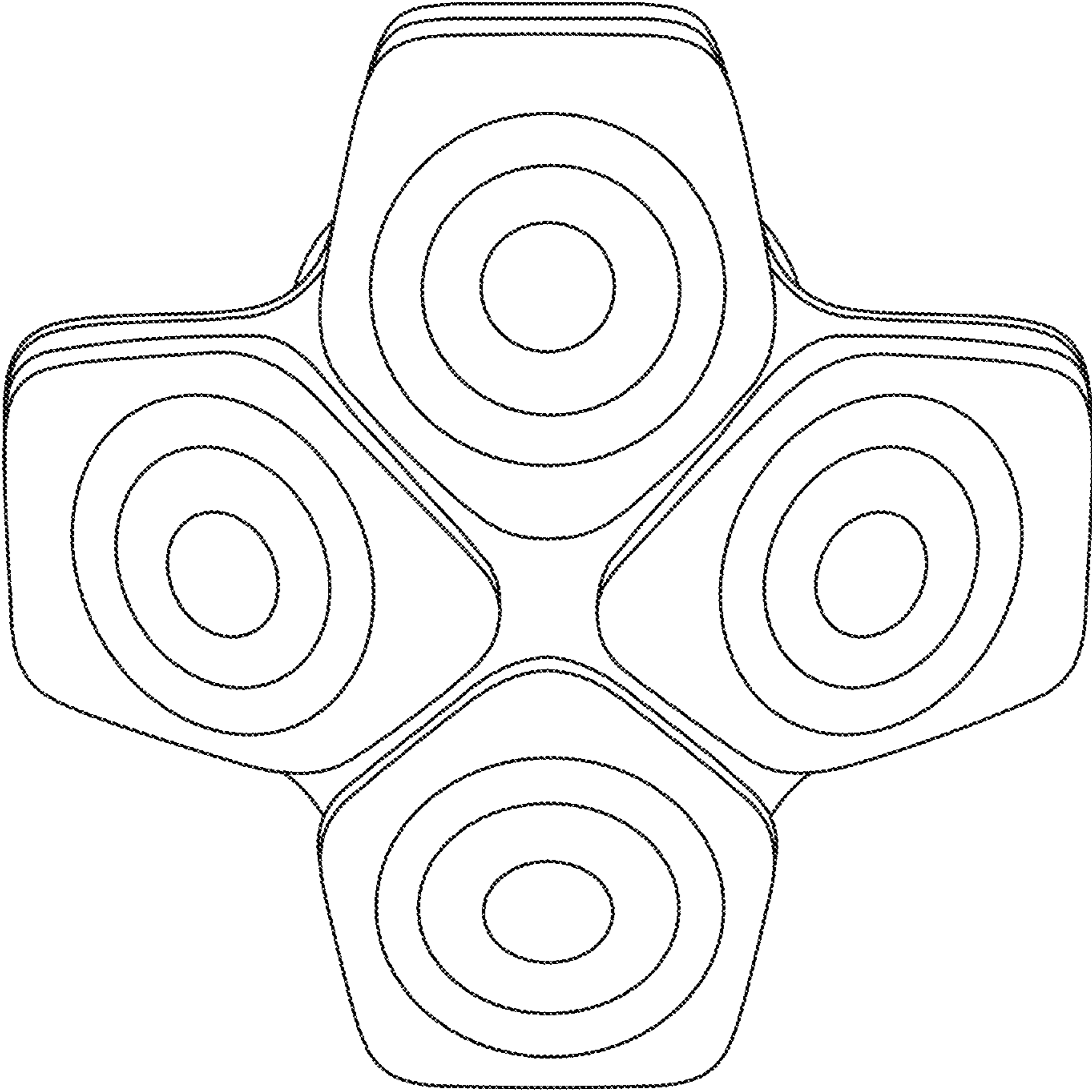


FIG. 10

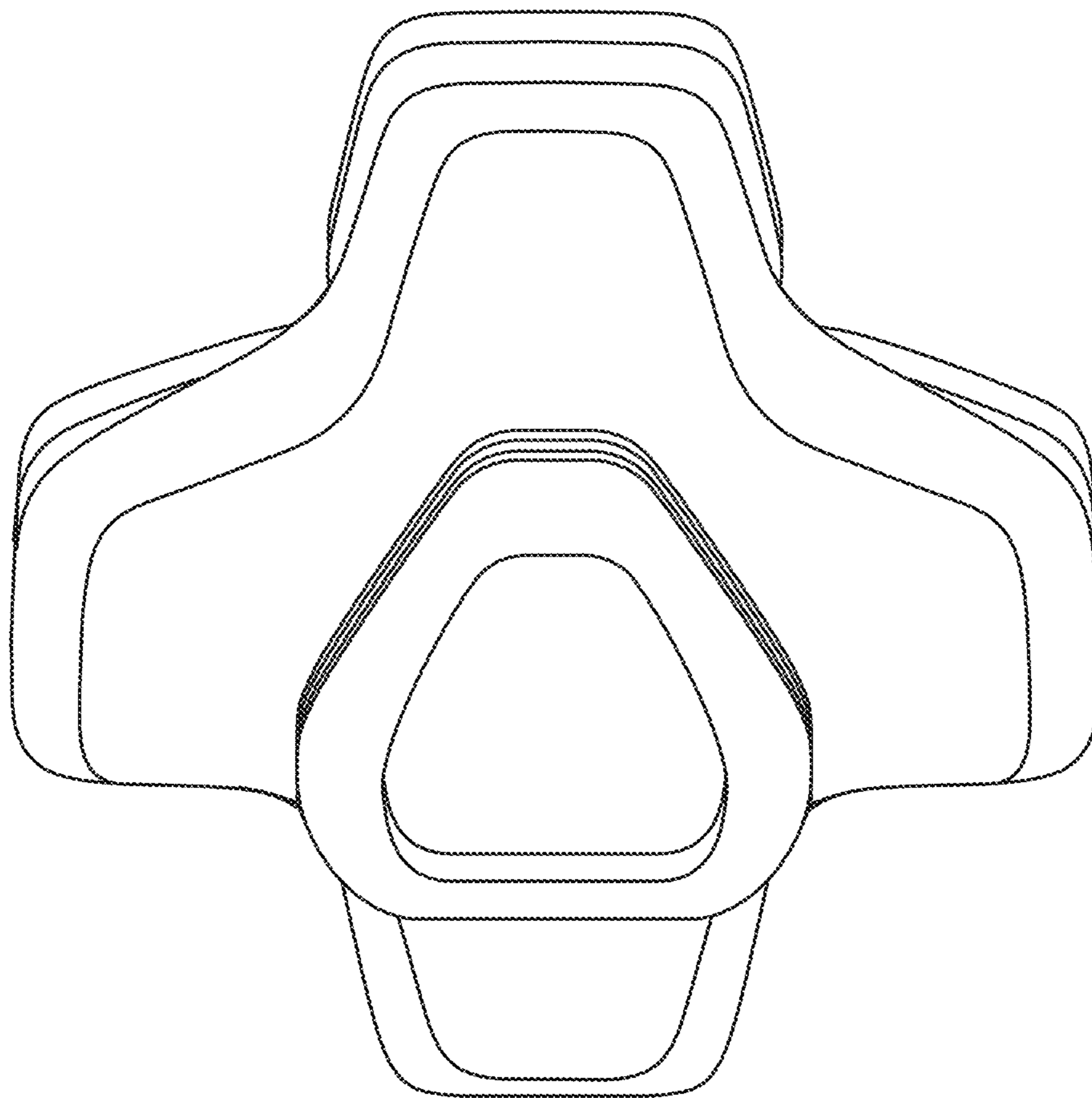


FIG. 11

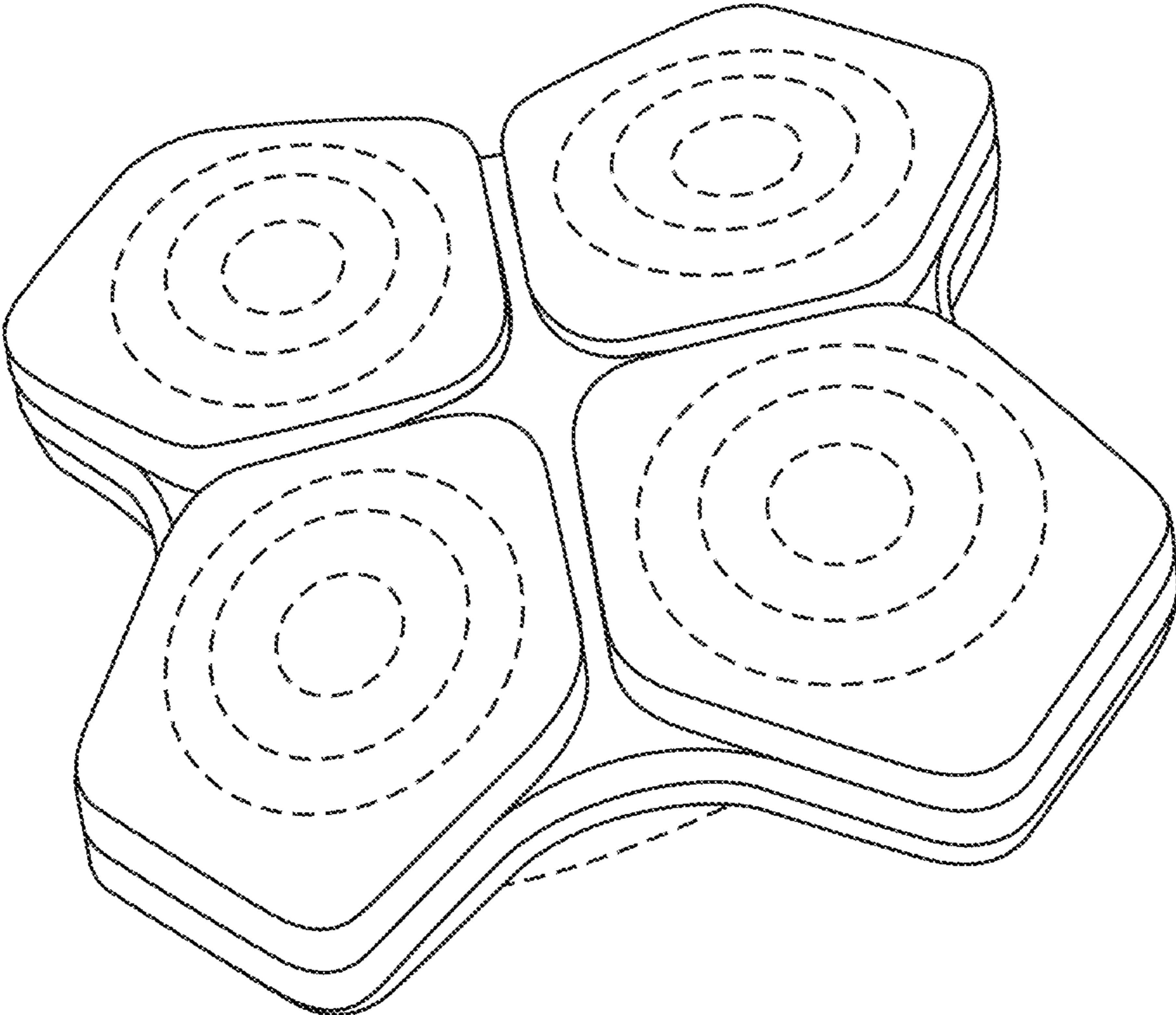


FIG. 12

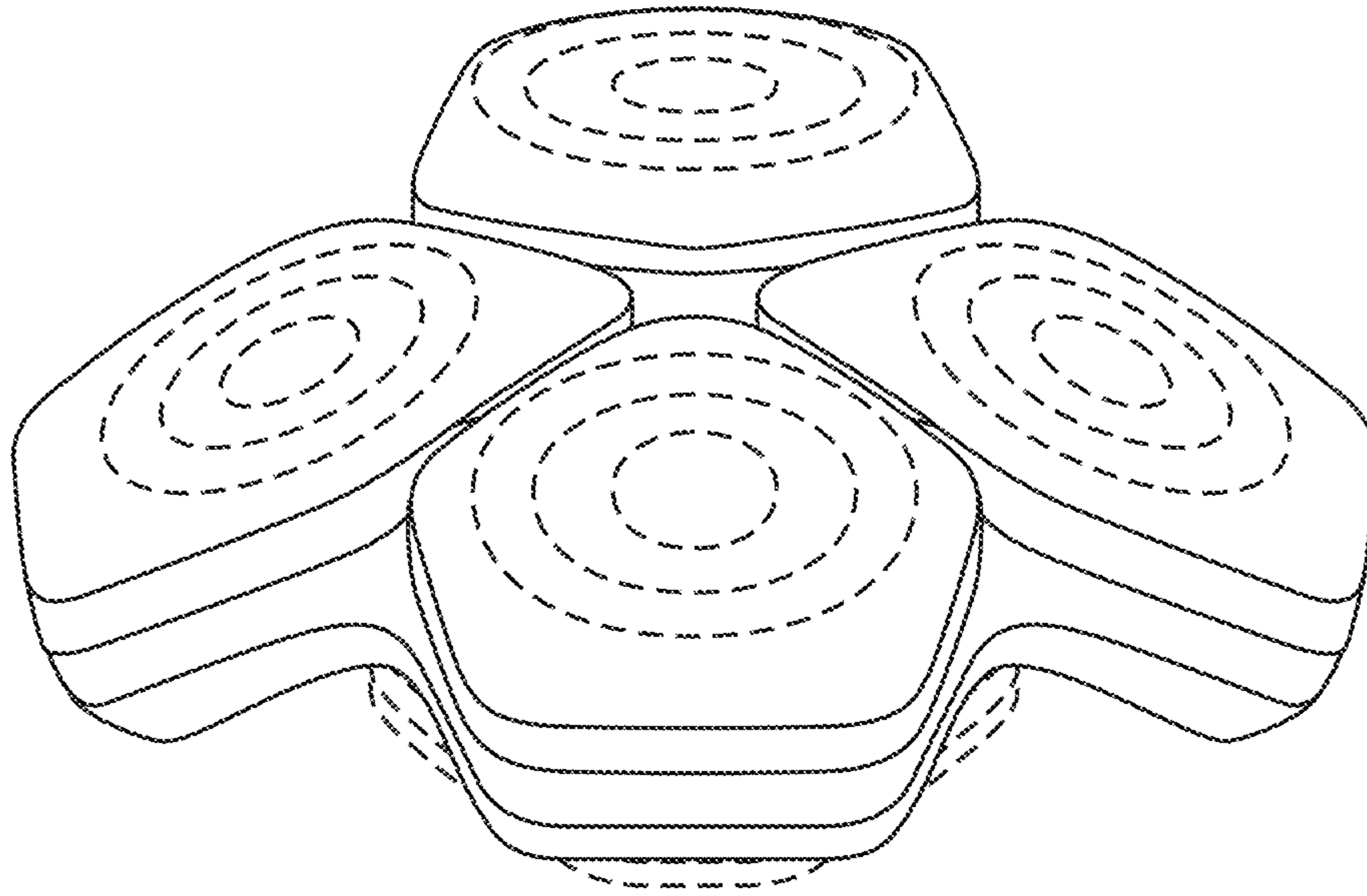


FIG. 13

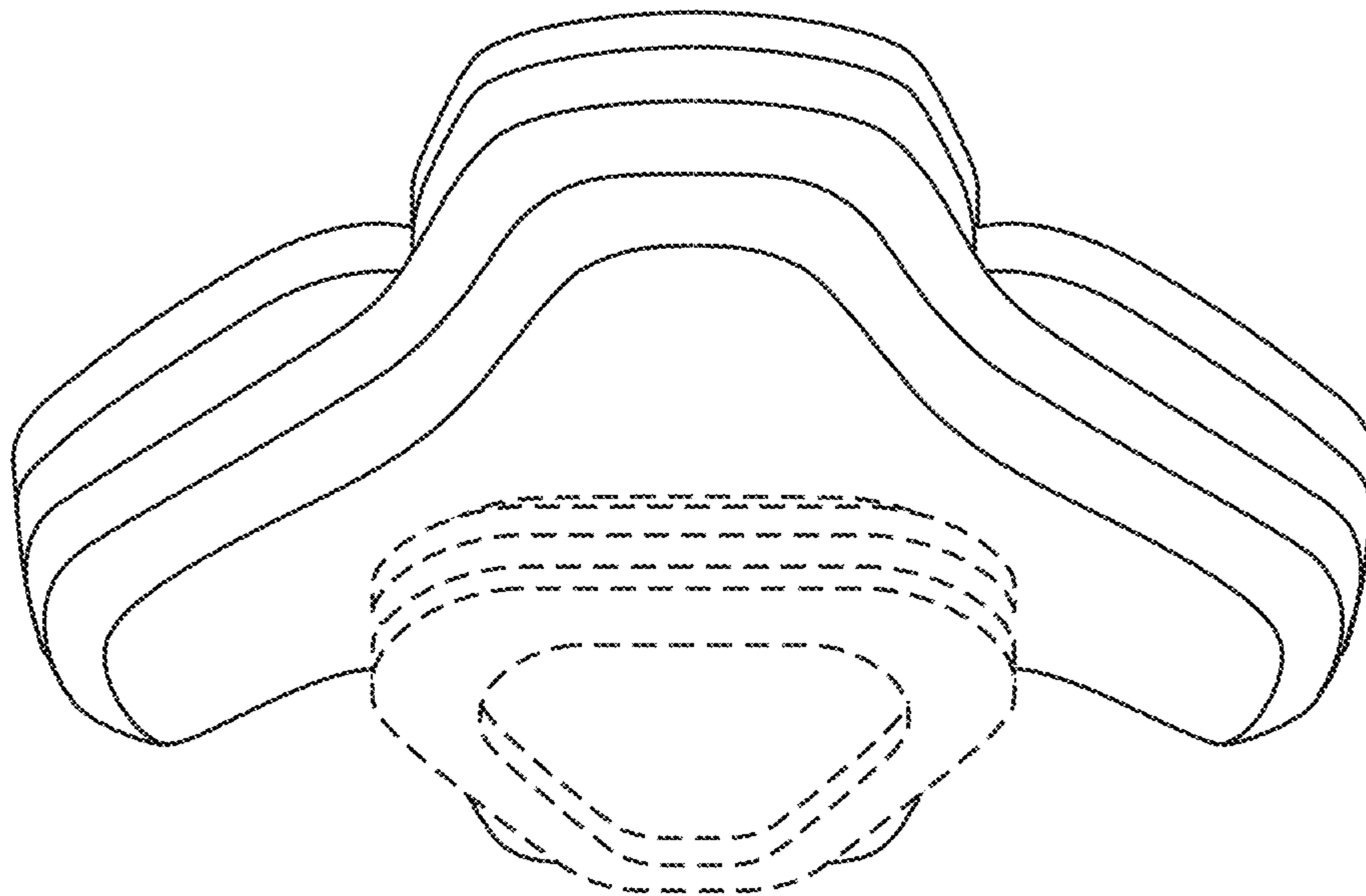


FIG. 14

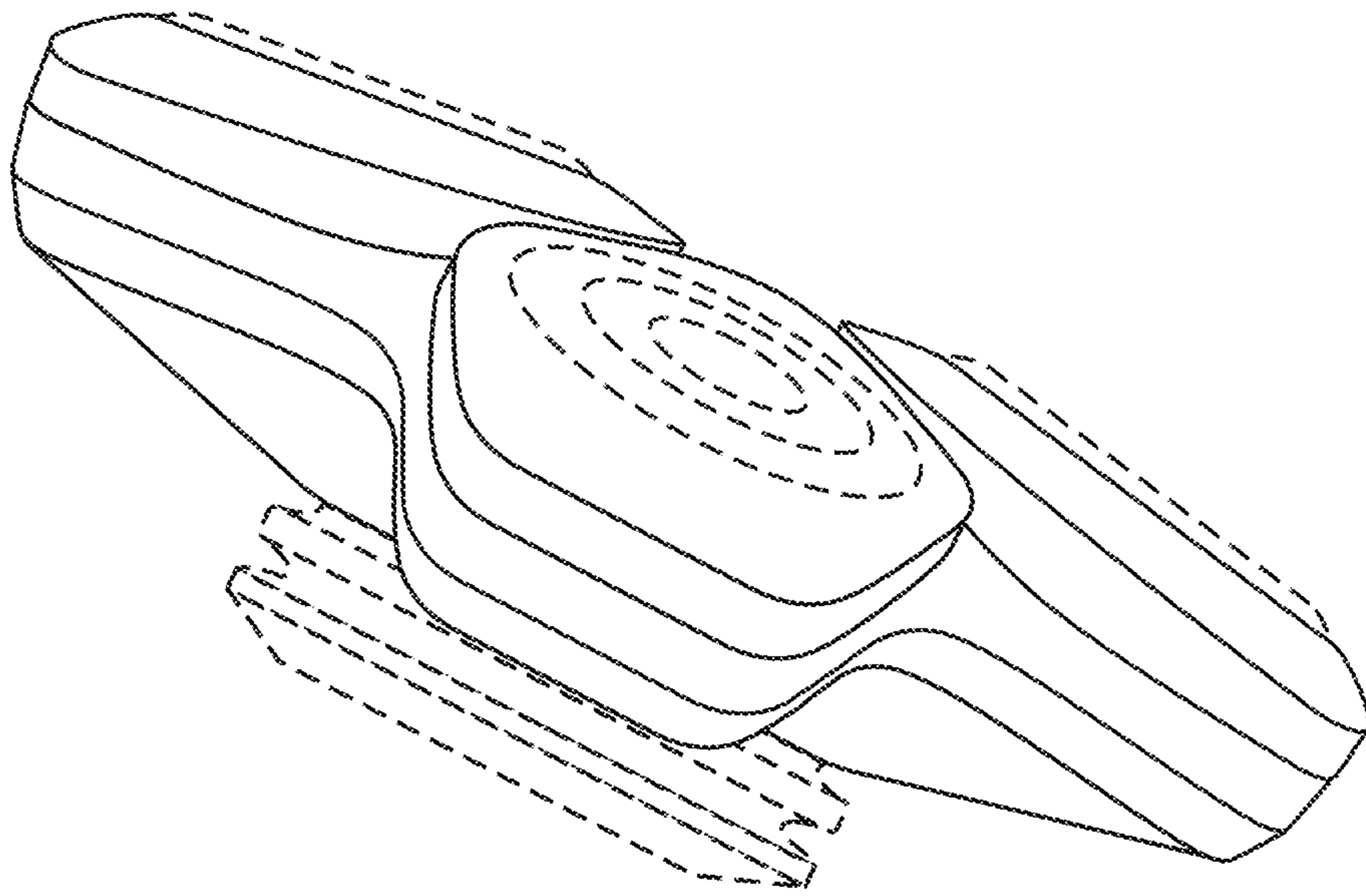


FIG. 15

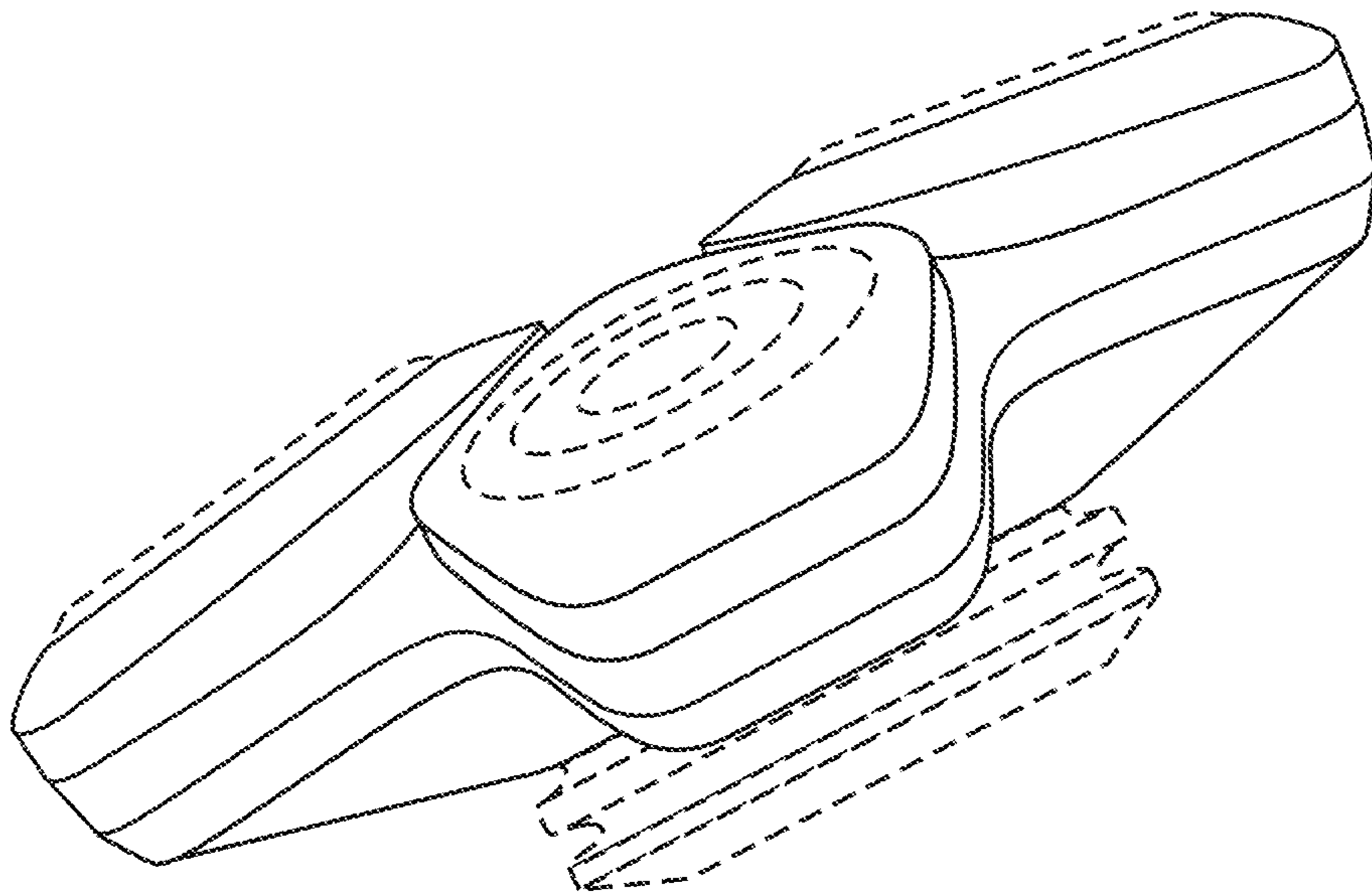


FIG. 16

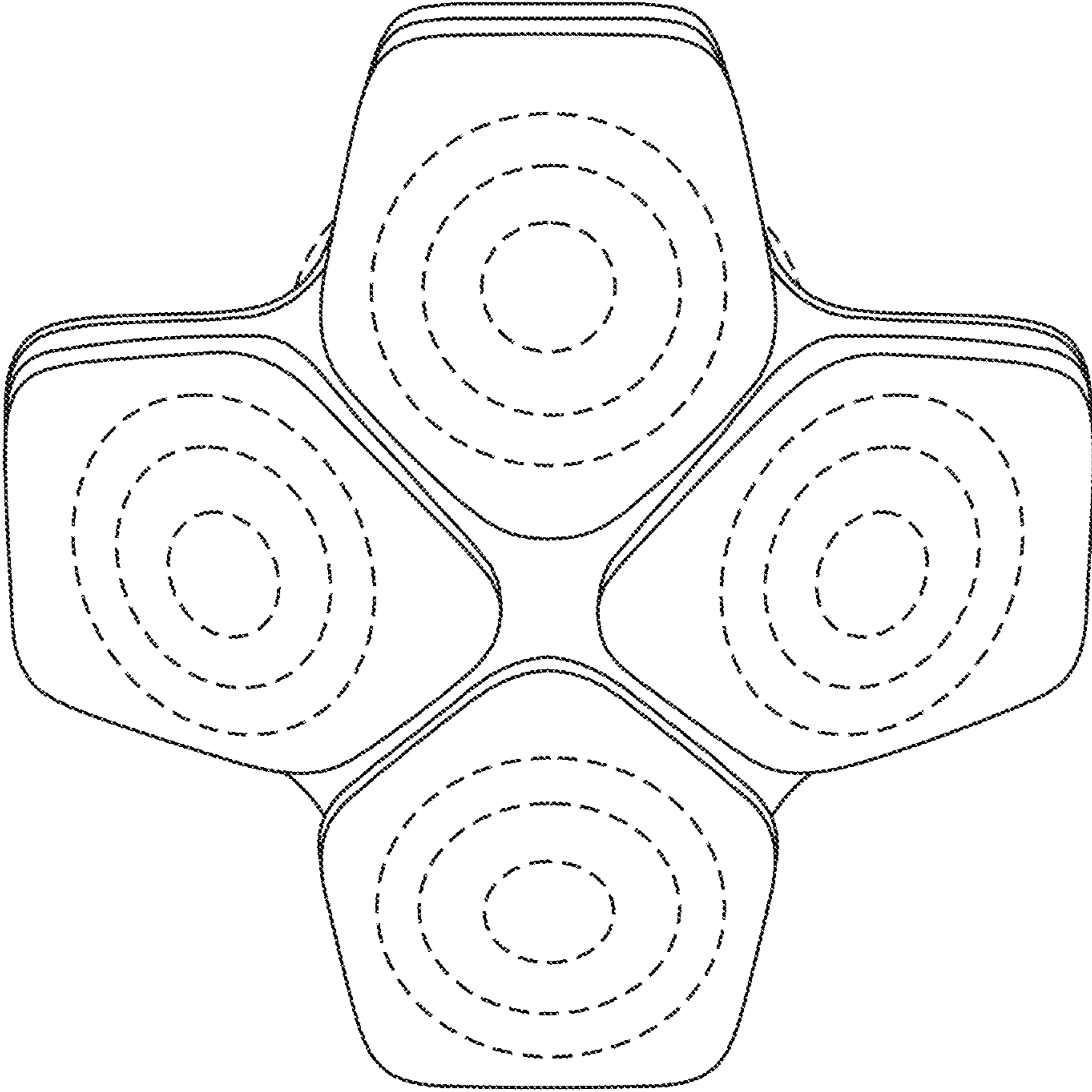


FIG. 17

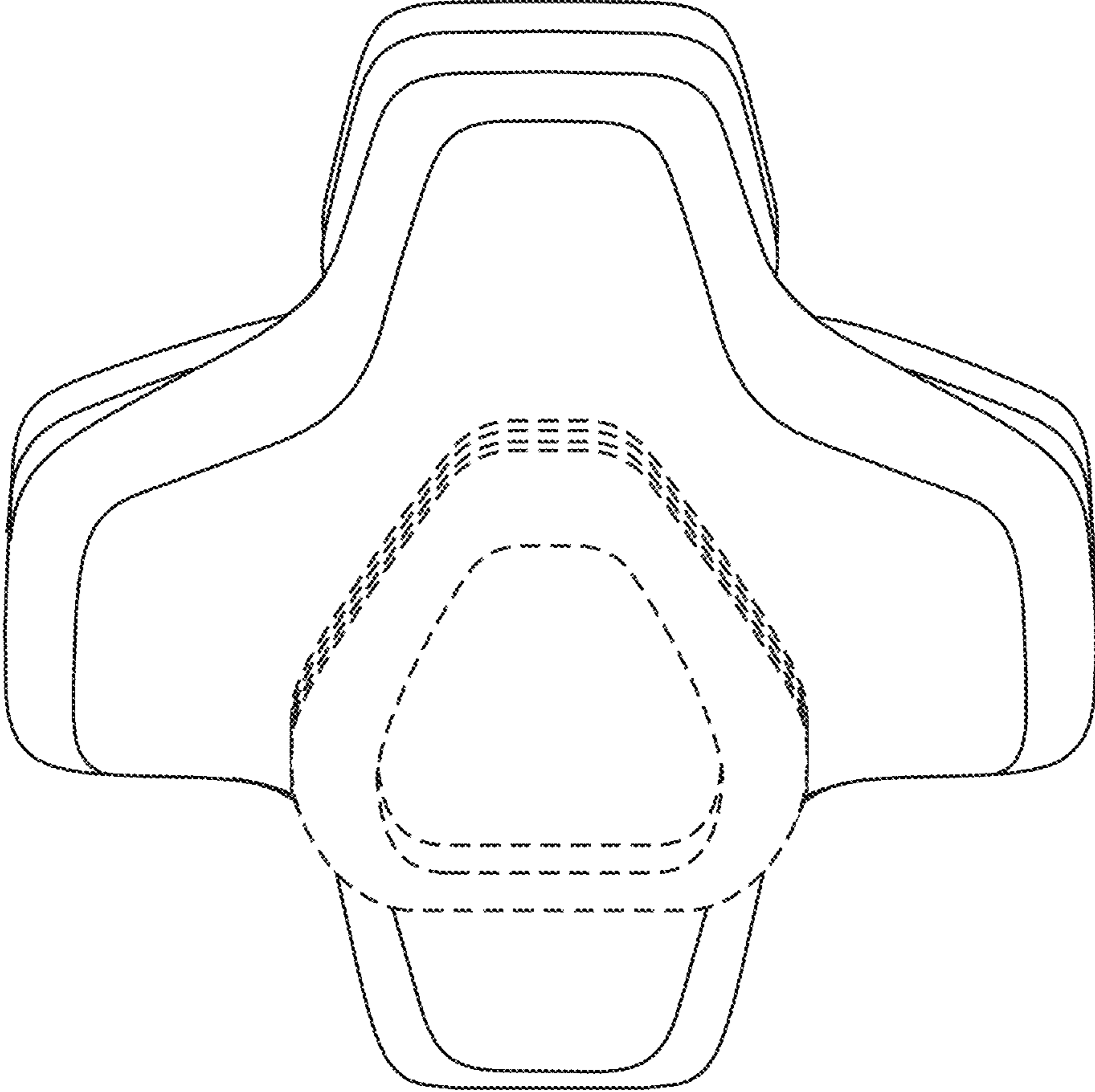


FIG. 18