

US00D963938S

(12) **United States Design Patent** (10) **Patent No.:** **US D963,938 S**
Ishida (45) **Date of Patent:** **** Sep. 13, 2022**

(54) **EYELASH CURLER**

FOREIGN PATENT DOCUMENTS

(71) Applicant: **GREEN BELL CO., LTD.**, Osaka (JP)

CN 3316058 * 8/2003
CN 304474879 * 1/2018

(72) Inventor: **Itsuto Ishida**, Osaka (JP)

(Continued)

(73) Assignee: **GREEN BELL CO., LTD.**, Osaka (JP)

OTHER PUBLICATIONS

(**) Term: **15 Years**

Eyelash Curler EC-50, Green Bell, greenbell.net, author and date not listed © Green Bell Co., Ltd, online, site visited Aug. 6, 2019. Available from Internet, URL: http://www.greenbell.net/english/product_page.php?cat=4&prod=249 (Year: 2019).*

(21) Appl. No.: **29/616,045**

(22) Filed: **Sep. 1, 2017**

(Continued)

(30) **Foreign Application Priority Data**

Mar. 3, 2017 (JP) 2017-005802

(51) **LOC (13) Cl.** **28-03**

(52) **U.S. Cl.**
USPC **D28/36**

(58) **Field of Classification Search**
USPC D28/9, 36, 55-57, 60, 38, 44-54;
132/216-217; D8/5, 12, 20, 71-73, 394;
D7/673, 688, 693-696
CPC A45D 29/18; A45D 2/48; A45D 40/26;
A45D 40/267; A45D 24/00; B26D
2007/011

See application file for complete search history.

Primary Examiner — Holly E Thurman

Assistant Examiner — Altaira J Swangin

(74) *Attorney, Agent, or Firm* — Heslin Rothenberg
Farley & Mesiti P.C.

(57) **CLAIM**

The ornamental design for an eyelash curler, as shown and described.

DESCRIPTION

(56) **References Cited**

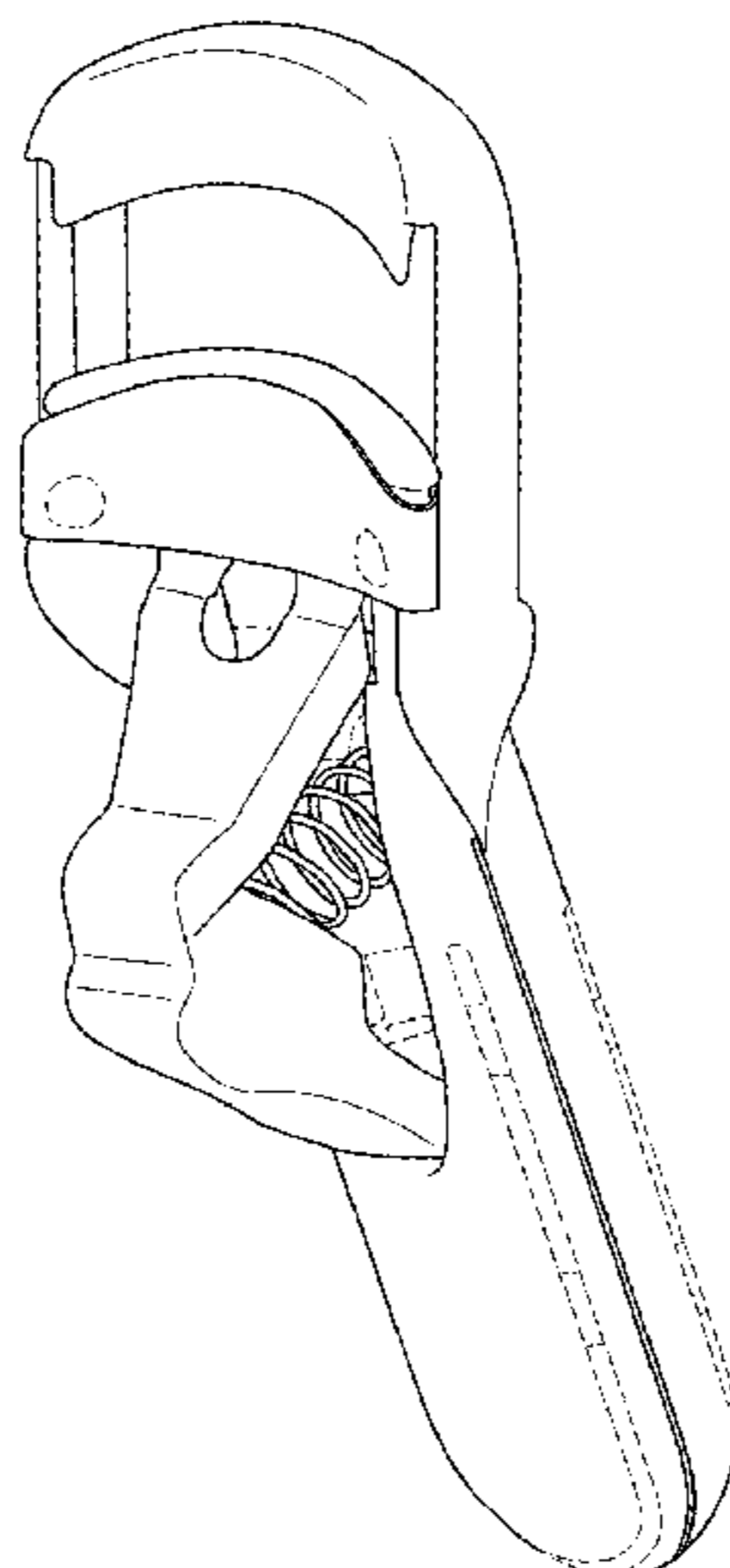
U.S. PATENT DOCUMENTS

1,699,084 A * 1/1929 Stickel A45D 2/48
132/217
1,925,266 A * 9/1933 Manning A45D 2/48
132/217
1,951,130 A * 3/1934 Cohn A45D 2/48
132/217
2,004,046 A * 6/1935 Glaser A45D 2/48
132/217
2,022,697 A * 12/1935 Tuttle A45D 2/48
132/217
2,052,588 A * 9/1936 Tuttle A45D 2/48
132/217

(Continued)

FIG. 1 is a perspective view of an eyelash curler of the present design;
FIG. 2 is a front elevational view thereof;
FIG. 3 is a right side elevational view thereof;
FIG. 4 is a left side elevational view thereof;
FIG. 5 is a top view thereof;
FIG. 6 is a bottom view thereof;
FIG. 7 is a rear elevational view thereof; and,
FIG. 8 is a right side elevational view thereof when compressed.
The portions of the eyelash curler shown in broken lines form no part of the claimed design.

1 Claim, 7 Drawing Sheets



(56)

References Cited

U.S. PATENT DOCUMENTS

2,109,244 A * 2/1938 Zajicek A45D 2/48
132/217
2,129,755 A * 9/1938 Eisenman A45D 2/48
132/217
2,133,042 A * 10/1938 Risberg A45D 2/48
132/217
2,134,731 A * 11/1938 Palmer A45D 2/48
132/217
2,159,912 A * 5/1939 Squire A45D 2/48
132/217
2,185,230 A * 1/1940 Sneirson A45D 2/48
132/217
2,252,742 A * 8/1941 Tuttle A45D 2/48
132/217
2,255,098 A * 9/1941 Bernstein A45D 2/48
132/217
2,314,375 A * 3/1943 Tuttle A45D 2/48
132/217
2,314,376 A * 3/1943 Tuttle A45D 2/48
132/217
2,391,047 A * 12/1945 Tuttle A45D 2/48
132/217
2,393,848 A * 1/1946 Wasserman A45D 2/48
132/217
2,410,391 A * 10/1946 Palmer A45D 2/48
132/217
2,411,519 A * 11/1946 Byron A45D 2/48
132/217
2,444,310 A * 6/1948 Resnikoff A45D 2/48
132/217
2,444,937 A * 7/1948 Marcellus A45D 2/48
132/217
2,460,317 A * 2/1949 Tuttle A45D 2/48
132/217
2,489,099 A * 11/1949 Marcellus A61F 9/007
132/217
2,506,121 A * 5/1950 Tuttle A45D 2/48
132/217
2,552,095 A * 5/1951 Hickey A45D 2/48
132/217
2,569,246 A * 9/1951 Marcellus A45D 2/48
132/217
2,584,668 A * 2/1952 Brown A45D 2/48
132/217
2,598,718 A * 6/1952 Palmer A45D 2/48
132/217
2,598,719 A * 6/1952 Palmer A45D 2/48
132/217
2,602,458 A * 7/1952 Tuttle A45D 2/48
132/217
2,635,611 A * 4/1953 Marcellus A45D 2/48
132/217
2,684,679 A * 7/1954 Kislig A45D 2/48
132/217
2,712,317 A * 7/1955 Palmer A45D 2/48
132/217
2,893,404 A * 7/1959 Flynn A45D 2/48
132/217
3,828,803 A * 8/1974 Windsor A45D 44/00
132/216
5,524,649 A * 6/1996 Suh A45D 2/48
132/216
5,685,324 A * 11/1997 Huang A45D 2/48
132/216
5,944,028 A * 8/1999 Gebhard A45D 2/48
132/216
5,960,799 A * 10/1999 Suh A45D 2/48
132/217
D429,375 S * 8/2000 Choi D28/36
6,105,585 A * 8/2000 Thomas A45D 34/042
132/216
D430,955 S * 9/2000 Ishida D28/36

D437,547 S * 2/2001 Moubayed D8/356
D439,013 S * 3/2001 Cho D28/36
D443,110 S * 5/2001 Watanabe D28/36
6,230,715 B1 * 5/2001 Cho A45D 2/48
132/216
D461,692 S * 8/2002 Law D7/695
D487,821 S * 3/2004 Sugiyama D28/36
D501,580 S * 2/2005 Sugawara D28/36
D503,494 S * 3/2005 Yamashita D28/36
D531,466 S * 11/2006 Zirbes D7/695
D535,057 S * 1/2007 Hara D28/49
D542,469 S * 5/2007 Lukan D28/48
D573,307 S * 7/2008 Cho D28/36
D607,148 S * 12/2009 Sugawara D28/36
D609,062 S * 2/2010 Kestenbaum D7/695
D609,403 S * 2/2010 Cho D28/36
D609,537 S * 2/2010 Kestenbaum D7/695
D676,200 S * 2/2013 Yiu D28/58
D676,609 S * 2/2013 Kim D28/60
D720,191 S * 12/2014 Bhasin D7/695
D779,896 S * 2/2017 Sanders D7/693
D787,282 S * 5/2017 Wheeler D7/693
D825,849 S * 8/2018 Carrere D28/36
D853,029 S * 7/2019 Campbell D28/38
D884,273 S * 5/2020 Liu D28/36
D942,074 S * 1/2022 Dey D28/7
2002/0189628 A1 * 12/2002 Iosilevich A45D 2/48
132/217
2004/0020505 A1 * 2/2004 Sugiyama A45D 2/48
132/217
2004/0020506 A1 * 2/2004 Sugiyama A45D 2/48
132/217
2007/0163613 A1 * 7/2007 Lee A45D 34/04
132/216
2007/0267036 A1 * 11/2007 Cho A45D 2/48
132/217
2013/0074865 A1 * 3/2013 Santillan A45D 2/48
132/217
2014/0216489 A1 * 8/2014 Knaus A45D 40/26
132/200
2015/0122285 A1 * 5/2015 Horino A45D 2/48
132/217
2016/0106191 A1 * 4/2016 Dorsey A45D 2/48
132/217
2016/0183655 A1 * 6/2016 Dozer A45D 2/48
132/217
2017/0231309 A1 * 8/2017 Han A41G 5/02
132/216
2018/0235298 A1 * 8/2018 Zhao A41G 5/02
2019/0216198 A1 * 7/2019 Wang A45D 2/48
2020/0138161 A1 * 5/2020 Smith A45D 40/26
2021/0076795 A1 * 3/2021 Giancaspro A45D 2/48

FOREIGN PATENT DOCUMENTS

CN 304615250 * 5/2018
JP D1075729 * 6/2000
JP D1495246 * 4/2014
JP D1587544 * 10/2017
KR 300247272.0000 * 10/1999
KR 300959589.0000 * 6/2018

OTHER PUBLICATIONS

Plastic Eyelash Curler, Hey! Cat, yesstyle.com, author and date not listed © 2006-2021 Yesstyle.com Ltd., online, site visited Apr. 20, 2021. Available from Internet, URL: <https://www.yesstyle.com/en/hey-cat-plastic-eyelash-curler/info.html/pid.1094526673###productAnchor> (Year: 2021).*

Portable Eyelash Curler, brand unlisted, tinkeo.com, author unlisted, published Oct. 27, 2020 per wayback machine © 2006-2021 Yesstyle.com Ltd., online, site visited Apr. 20, 2021. Available from Internet, URL: <https://www.tinkeo.com/goods/eye-makeup/8629.html> (Year: 2020).*

Portable Plastic Eyelash Curler, Popvcly, Walmart.com, author and date not listed © 2020 Walmart, online, site visited May 12, 2022.

(56)

References Cited

OTHER PUBLICATIONS

Available from Internet, URL: <https://www.walmart.com/ip/Portable-Plastic-Eyelash-Curler-Mini-Professional-Eyelashes-Curling-Refill-Rubber-Pad-Clip-for-Professional-Lashes-Curler-Tool/107252489> (Year: 2022).*

* cited by examiner

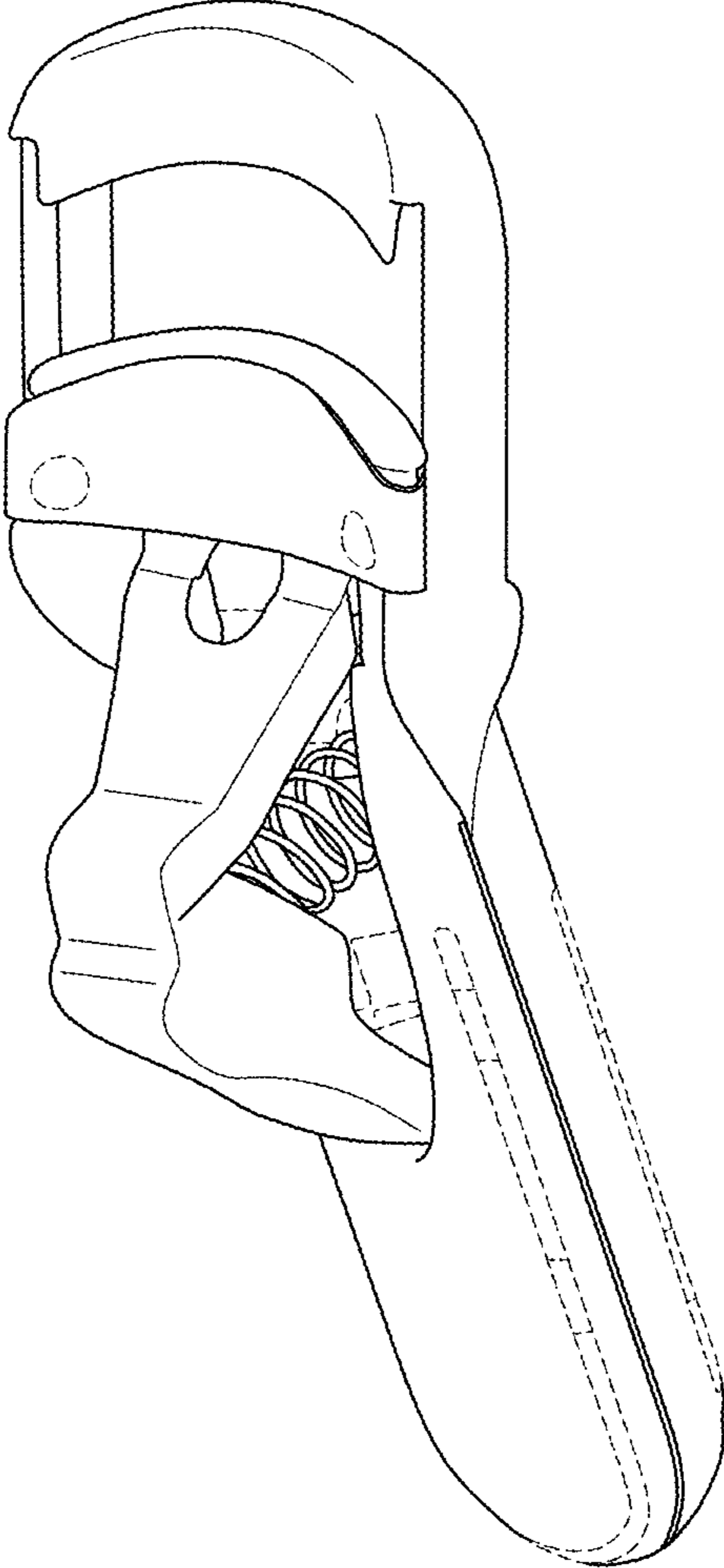


FIG.1

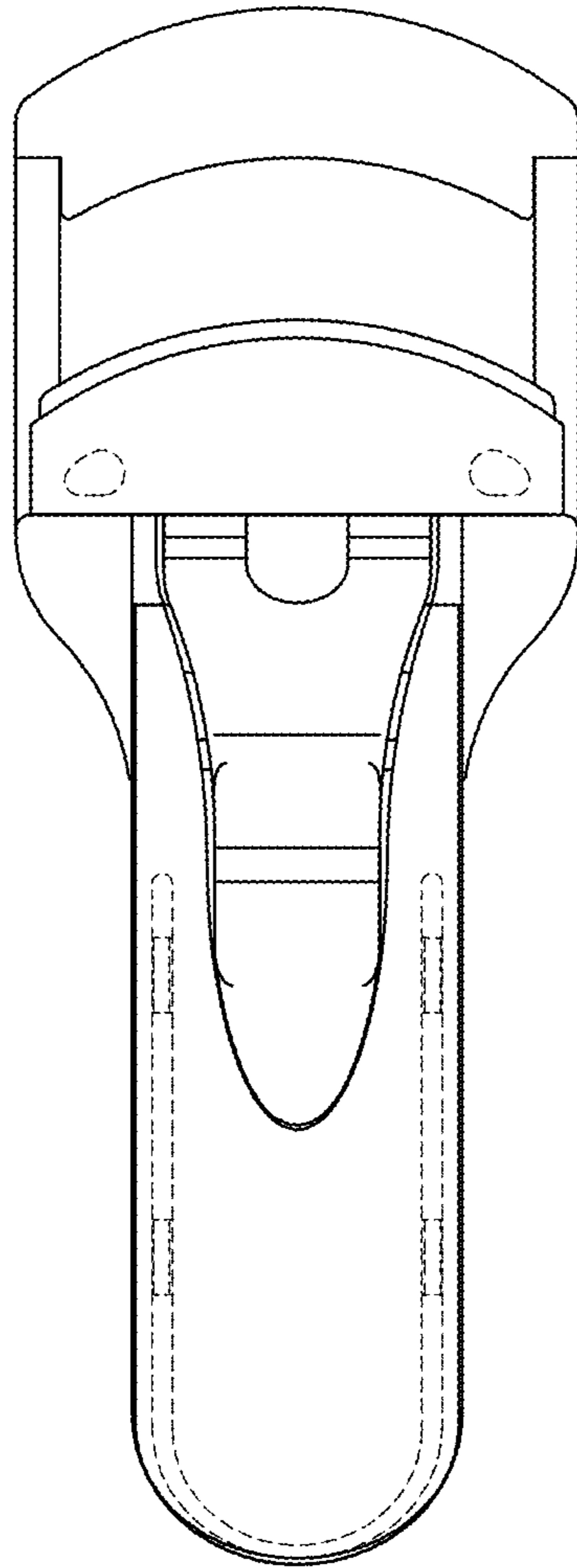


FIG.2

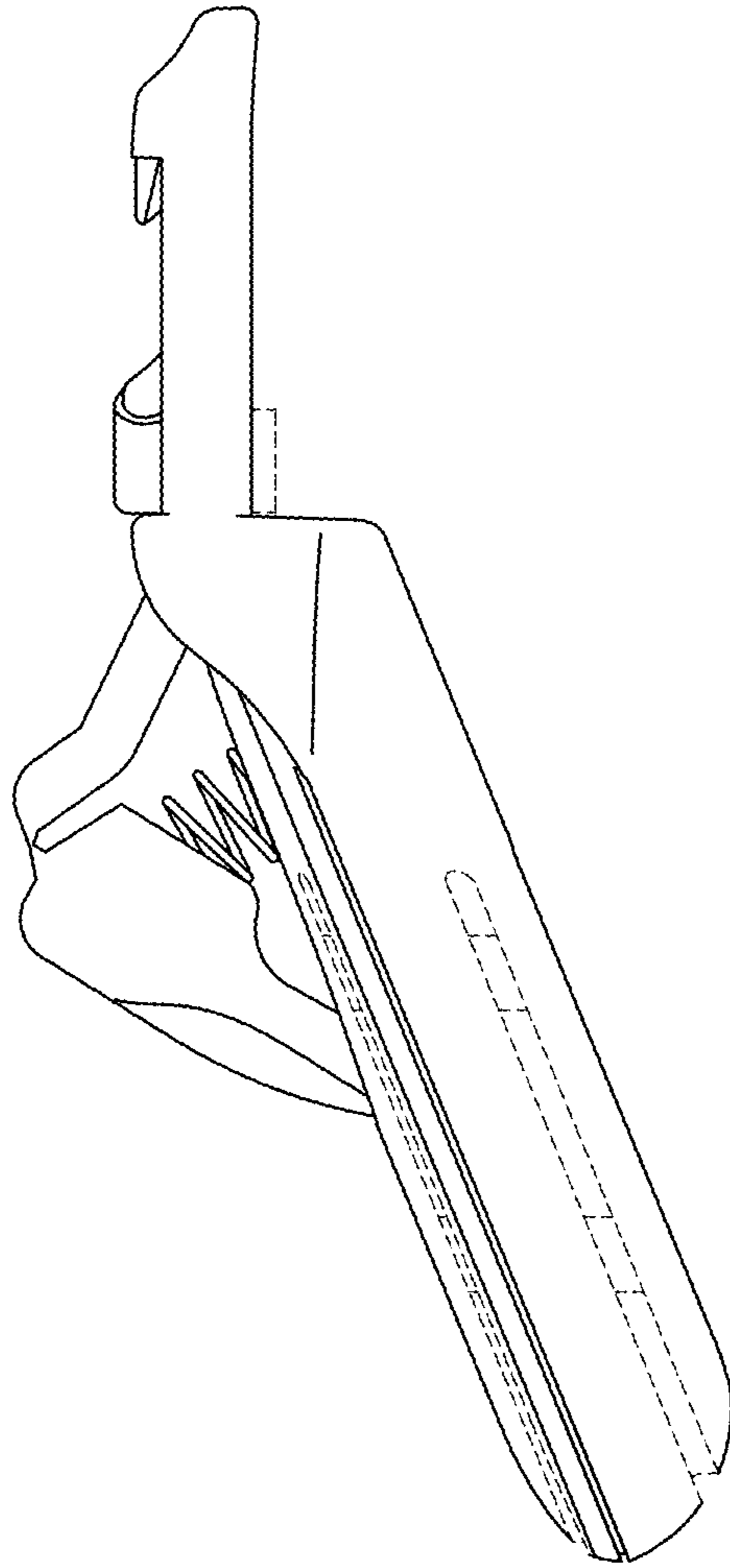


FIG.3

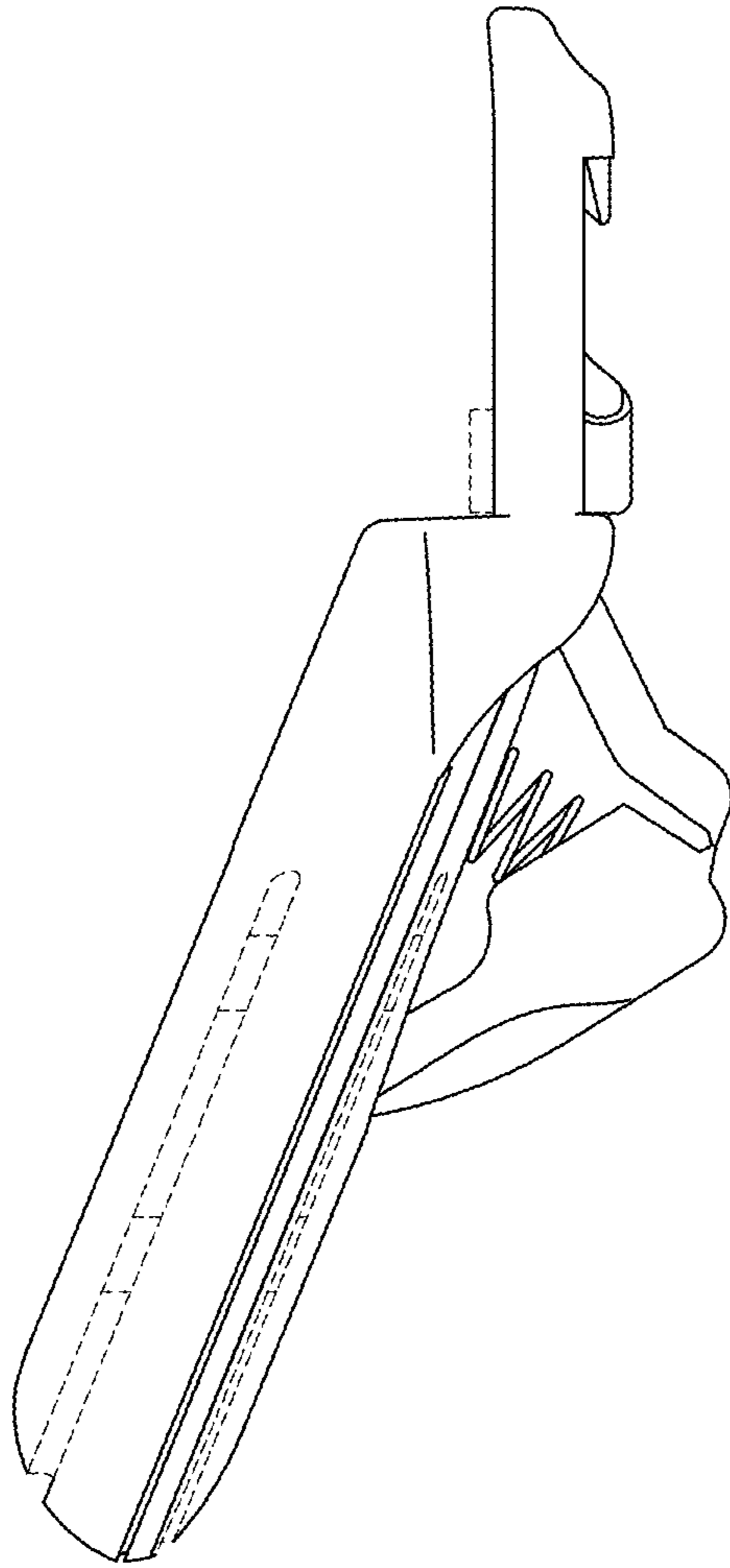


FIG.4

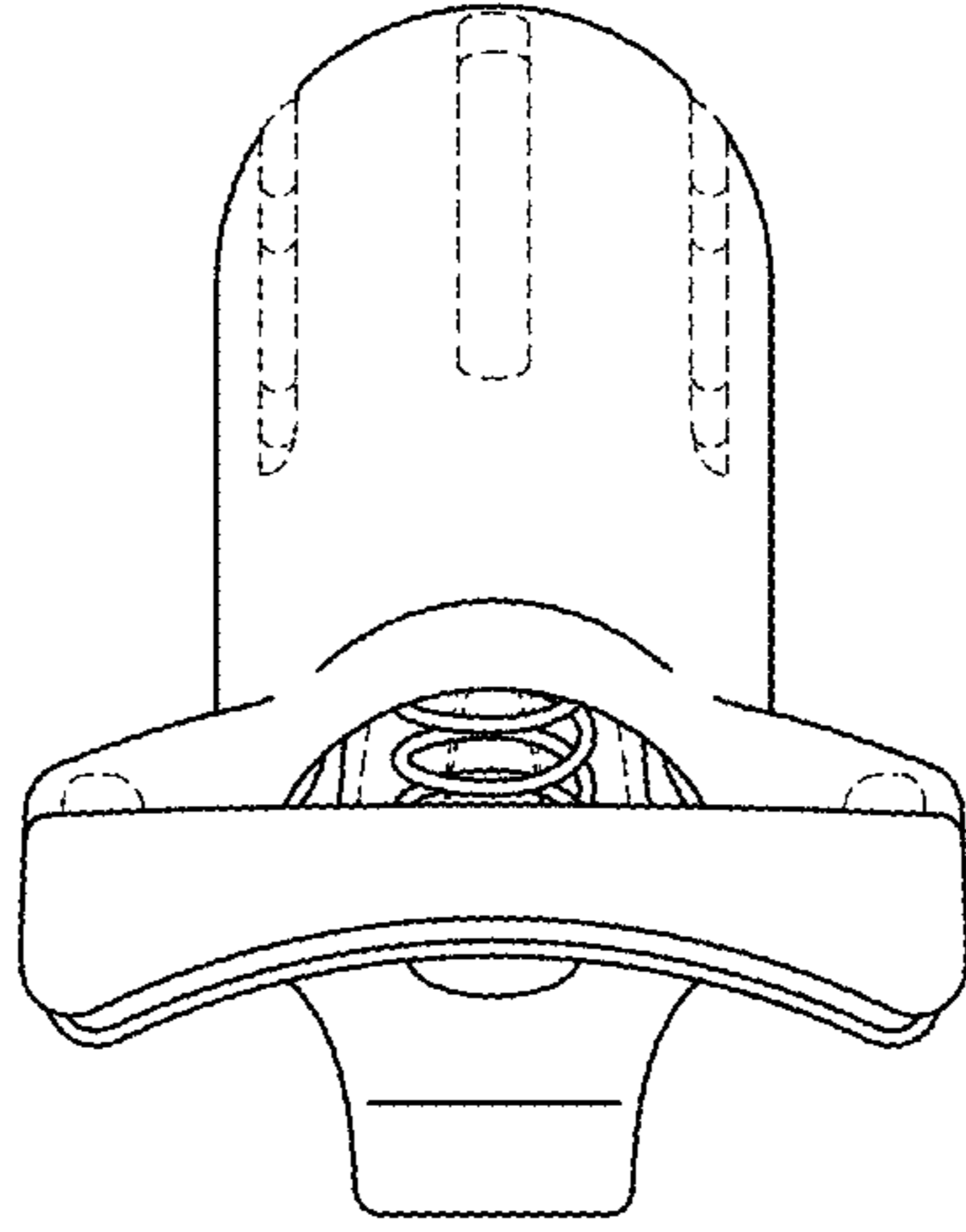


FIG.5

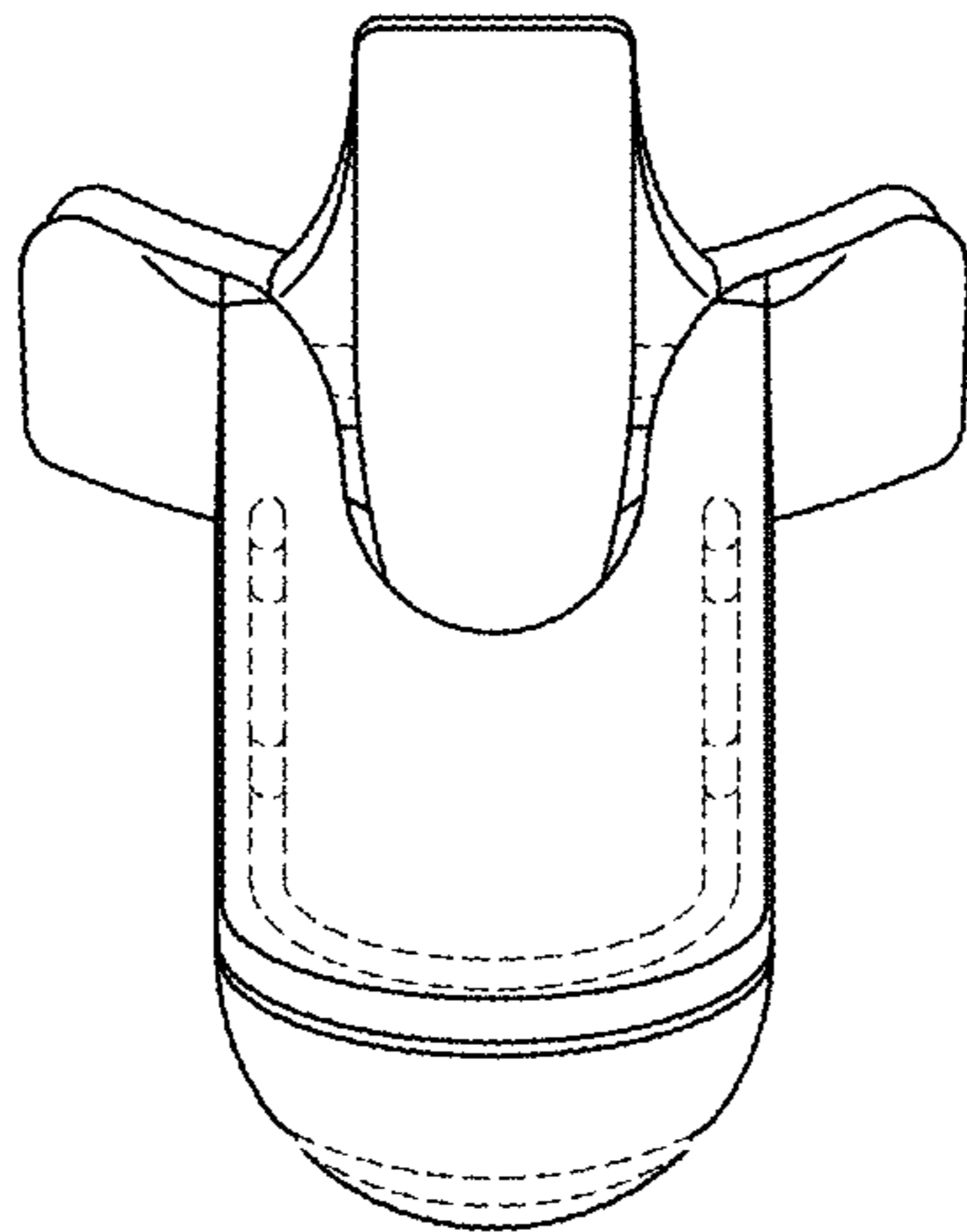


FIG.6

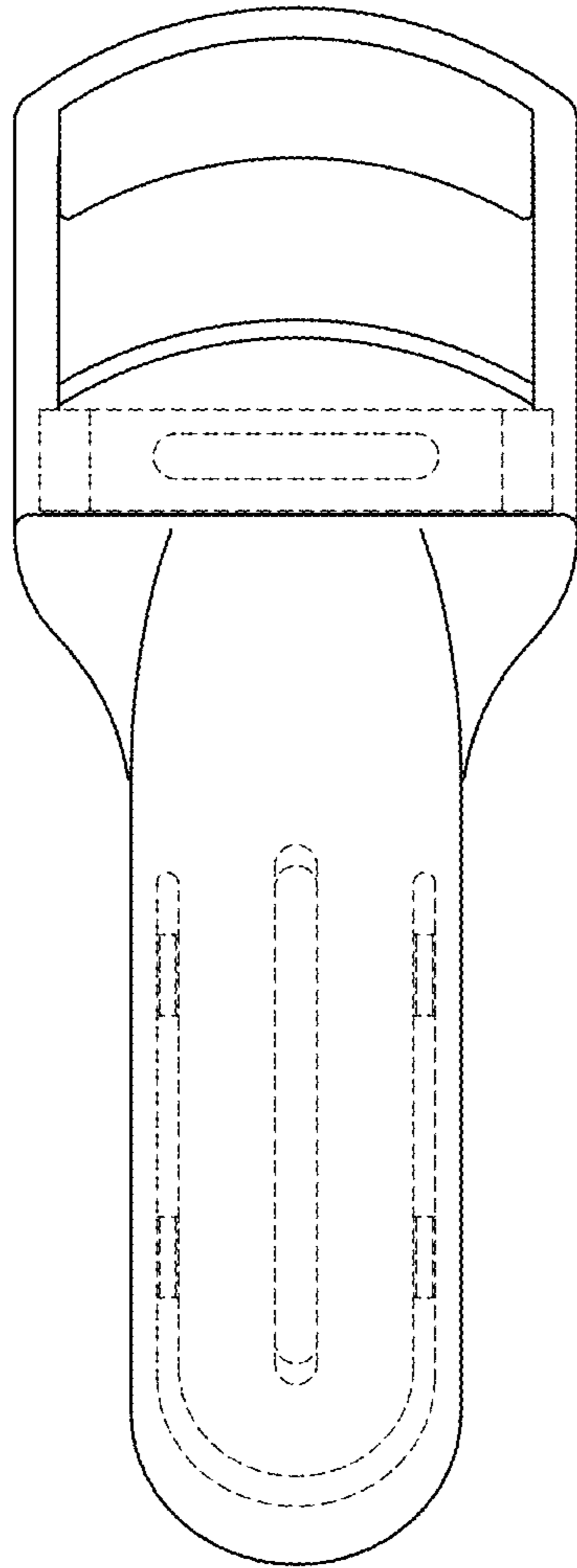


FIG. 7

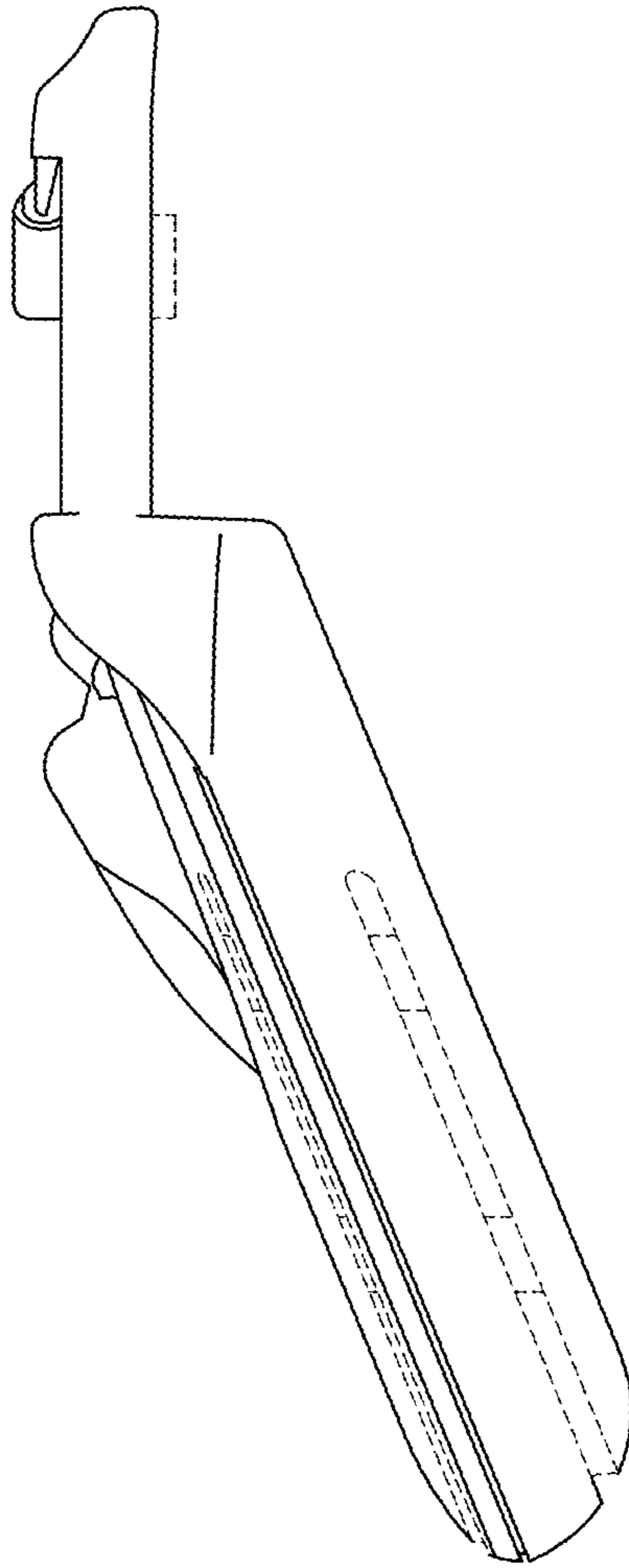


FIG.8