

US00D963936S

(12) **United States Design Patent** (10) **Patent No.:** **US D963,936 S**
Healy (45) **Date of Patent:** **** Sep. 13, 2022**

(54) **PORTABLE TAMPER**
(71) Applicant: **Twisted Foot, LLC**, Denver, CO (US)
(72) Inventor: **Robert Andrew Healy**, Denver, CO (US)
(73) Assignee: **Twisted Foot, LLC**, Denver, CO (US)
(**) Term: **15 Years**
(21) Appl. No.: **29/747,738**
(22) Filed: **Aug. 25, 2020**
(51) **LOC (13) Cl.** **27-99**
(52) **U.S. Cl.**
USPC **D27/196**
(58) **Field of Classification Search**
USPC D27/196, 100, 101, 102, 108, 136, 167, D27/194; D8/14, 75, 77; D11/3, 4, 26
CPC A24F 9/02; A24F 9/00; A24F 9/04; A24F 9/06; A24F 9/08; A24F 13/18; A24F 23/04
See application file for complete search history.

4,576,839 A 3/1986 Parren
4,625,861 A 12/1986 Krog
4,901,848 A 2/1990 Parren
5,562,439 A 10/1996 Van Wagner
D378,440 S 3/1997 Collette
5,682,981 A 11/1997 Sudborough
5,794,767 A 8/1998 Wilson
5,820,095 A 10/1998 Stone
D433,297 S 11/2000 Haas
6,196,382 B1 3/2001 Lenderman
6,257,872 B1 7/2001 Williams
6,422,859 B1 7/2002 Demetz
8,235,262 B1 8/2012 Sakdol
D687,284 S * 8/2013 Liu D8/71
D712,712 S * 9/2014 Liu D8/14
D712,774 S * 9/2014 Cheah D11/26
D718,170 S * 11/2014 Aumiller D11/3
9,333,641 B2 5/2016 Macias et al.
D758,907 S * 6/2016 Kaiser D11/2

(Continued)

Primary Examiner — Rebecca Tsehaye
(74) *Attorney, Agent, or Firm* — Williams Mullen; Andrew R. Shores

(57) **CLAIM**

The ornamental design for a portable tamper, as shown and described.

DESCRIPTION

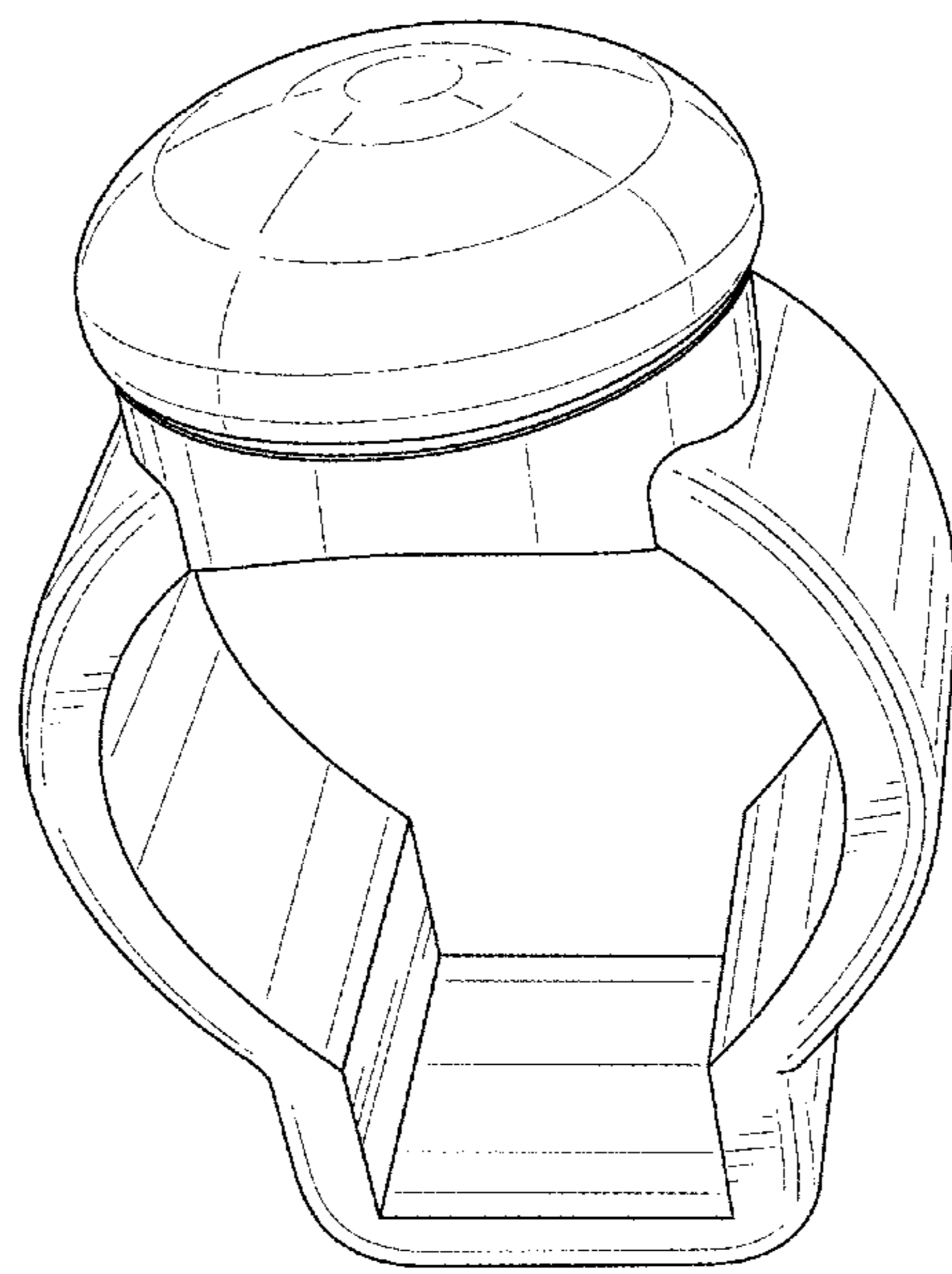
FIG. 1 is a perspective view of a portable tamper in accordance with the present design;
FIG. 2 is a front view thereof;
FIG. 3 is a rear view thereof;
FIG. 4 is a right side view thereof;
FIG. 5 is a left side view thereof;
FIG. 6 is a top view thereof;
FIG. 7 is a bottom view thereof;
FIG. 8 is an exploded view thereof; and,
FIG. 9 is an exploded view of the tamper portion of the portable tamper of FIG. 1.

1 Claim, 9 Drawing Sheets

(56) **References Cited**

U.S. PATENT DOCUMENTS

D156,871 S 1/1950 Mesquita
D162,315 S 3/1951 Kohn
2,594,955 A 4/1952 Markowitz
2,651,870 A 9/1953 Lipic et al.
2,894,515 A 7/1959 Wismer
D205,085 S 6/1966 Goessling et al.
3,263,690 A 8/1966 Buckley
3,816,057 A 6/1974 Semenko
3,923,085 A 12/1975 Nimer
4,073,612 A 2/1978 Nitta
D259,486 S 6/1981 Vong
4,318,416 A 3/1982 Thornhill
D267,590 S 1/1983 Varma
4,475,297 A 10/1984 Lonsmin



(56)

References Cited

U.S. PATENT DOCUMENTS

D784,177 S * 4/2017 Kaiser D11/2
D807,773 S * 1/2018 Bonner D11/26
D849,997 S * 5/2019 Healy D27/196
D872,612 S * 1/2020 Mercurio D11/3
D899,958 S * 10/2020 Berka D11/26
2003/0145500 A1 8/2003 Lykens
2004/0094686 A1 5/2004 Hsien
2004/0255501 A1 12/2004 Lawrence et al.
2007/0091730 A1* 4/2007 Ting G04G 17/08
368/282
2009/0094870 A1 4/2009 Isserow et al.
2009/0162803 A1 6/2009 Ruan
2009/0293328 A1 12/2009 Bull

* cited by examiner

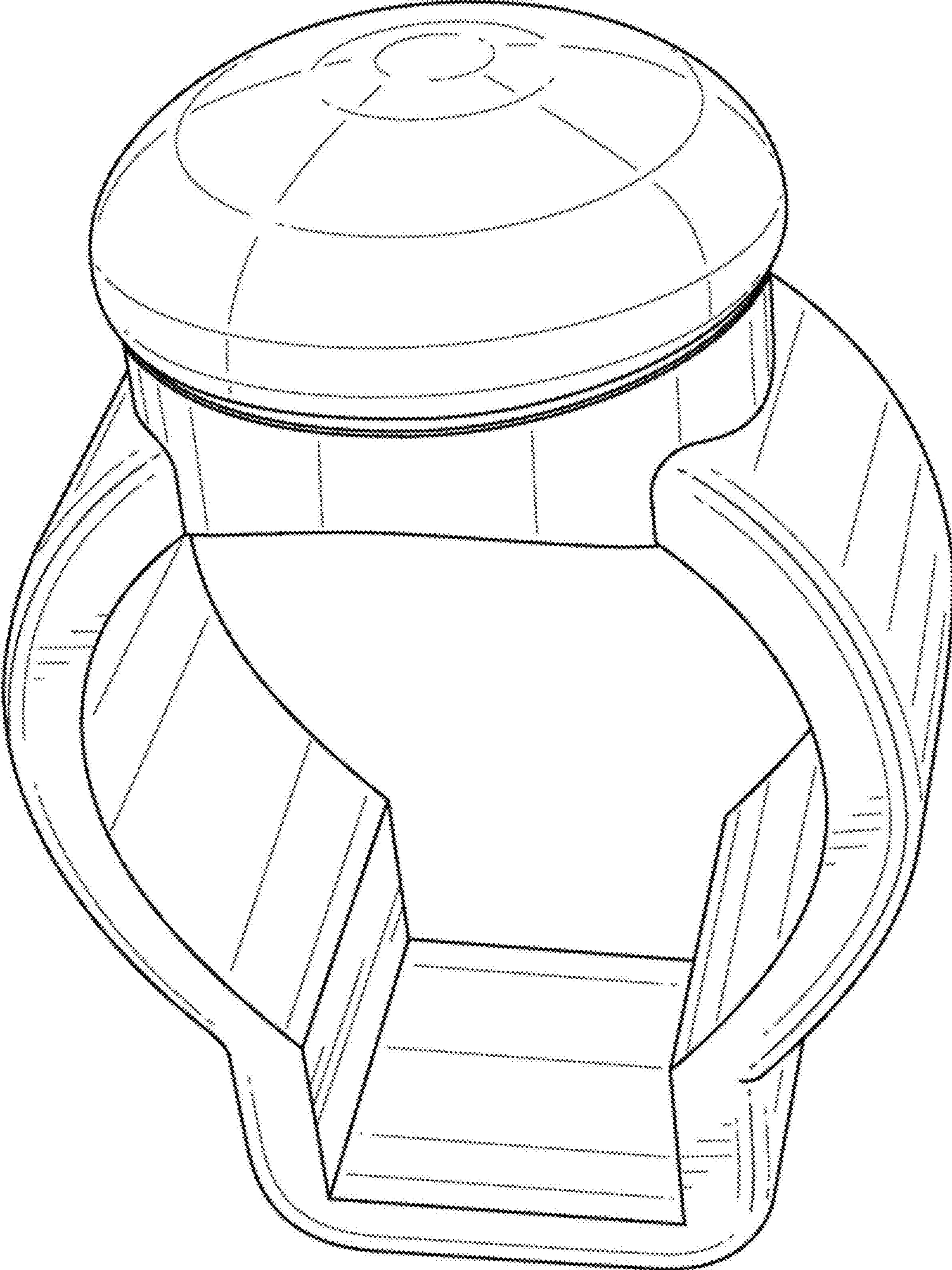


FIG. 1

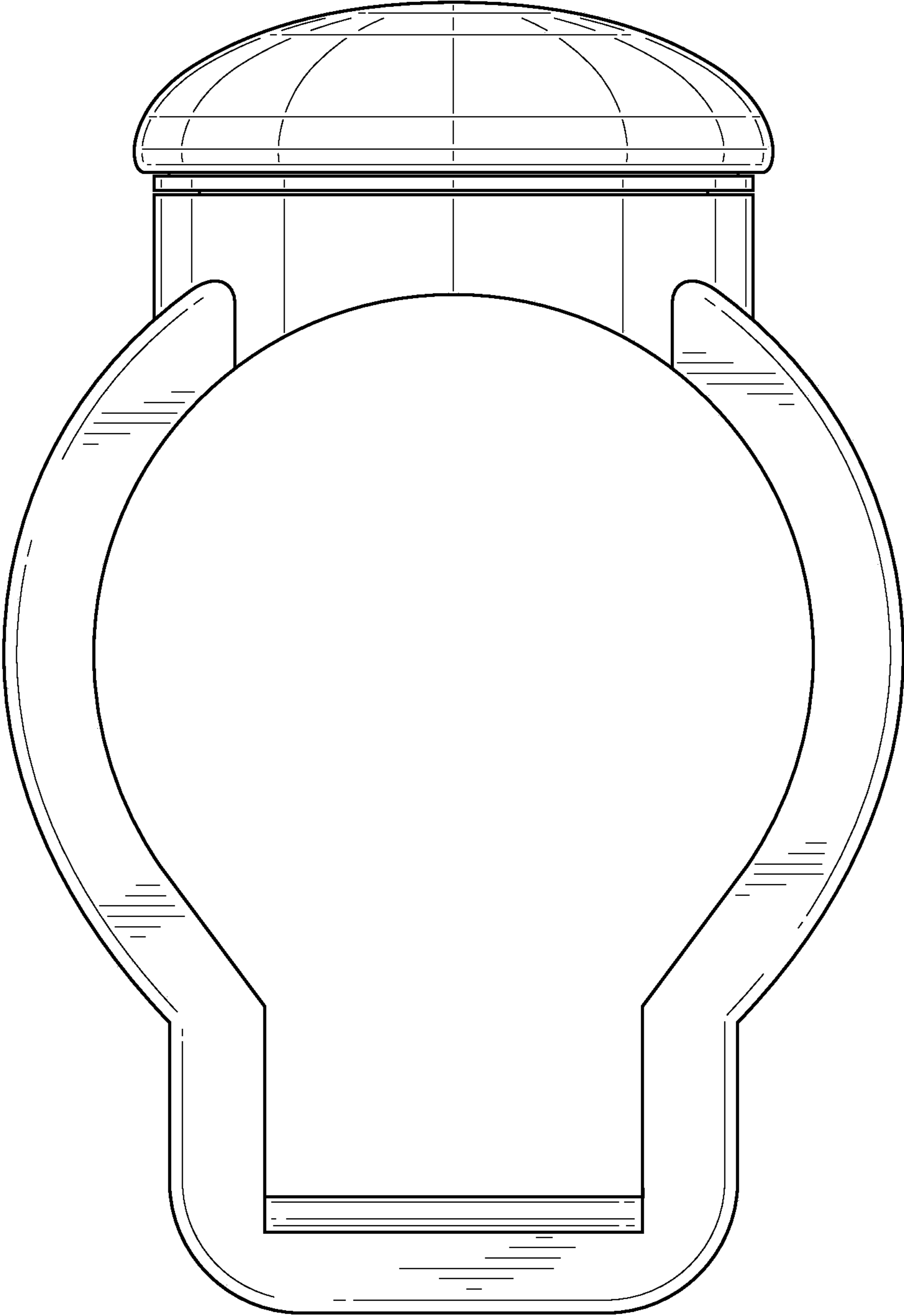


FIG. 2

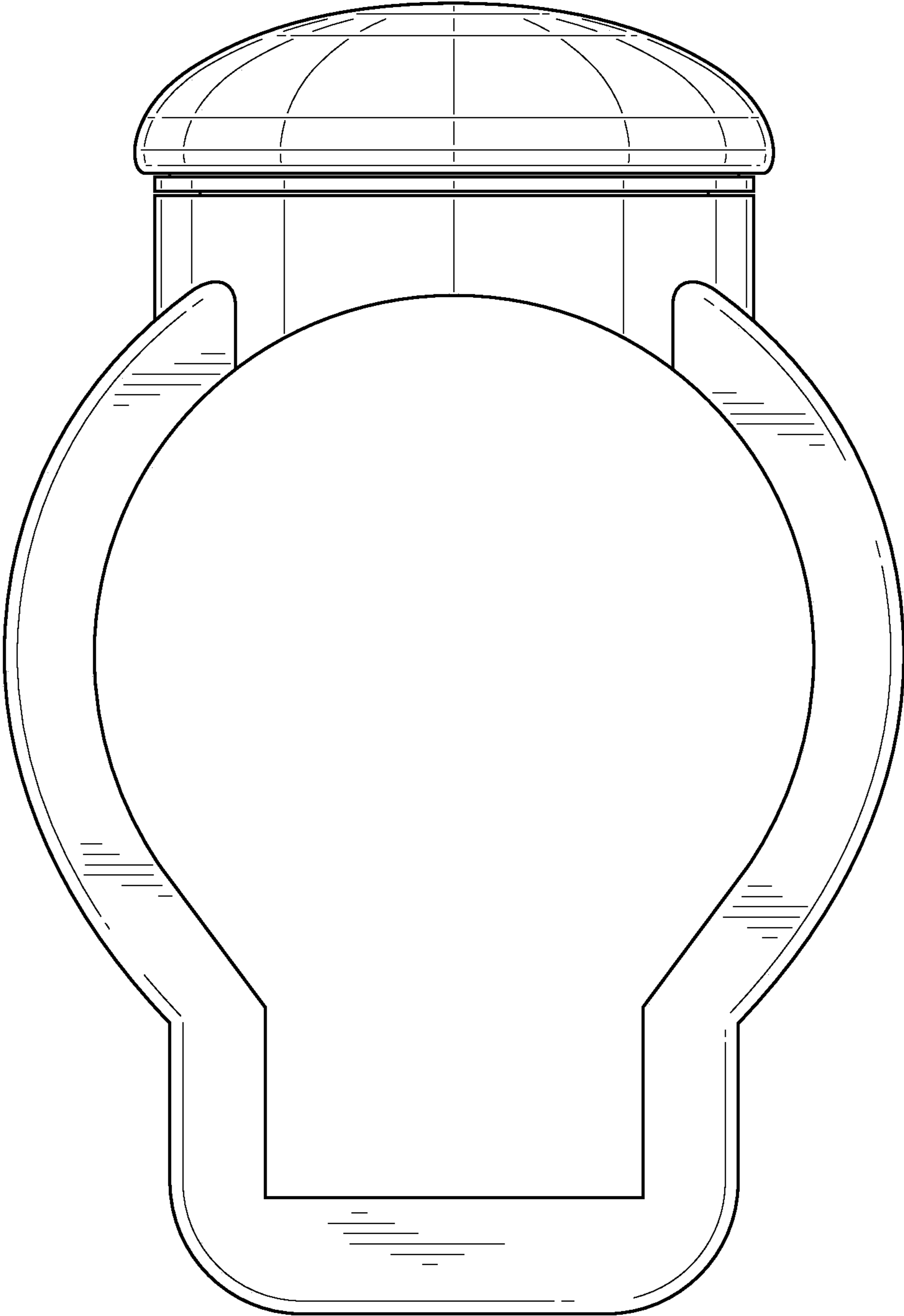


FIG. 3

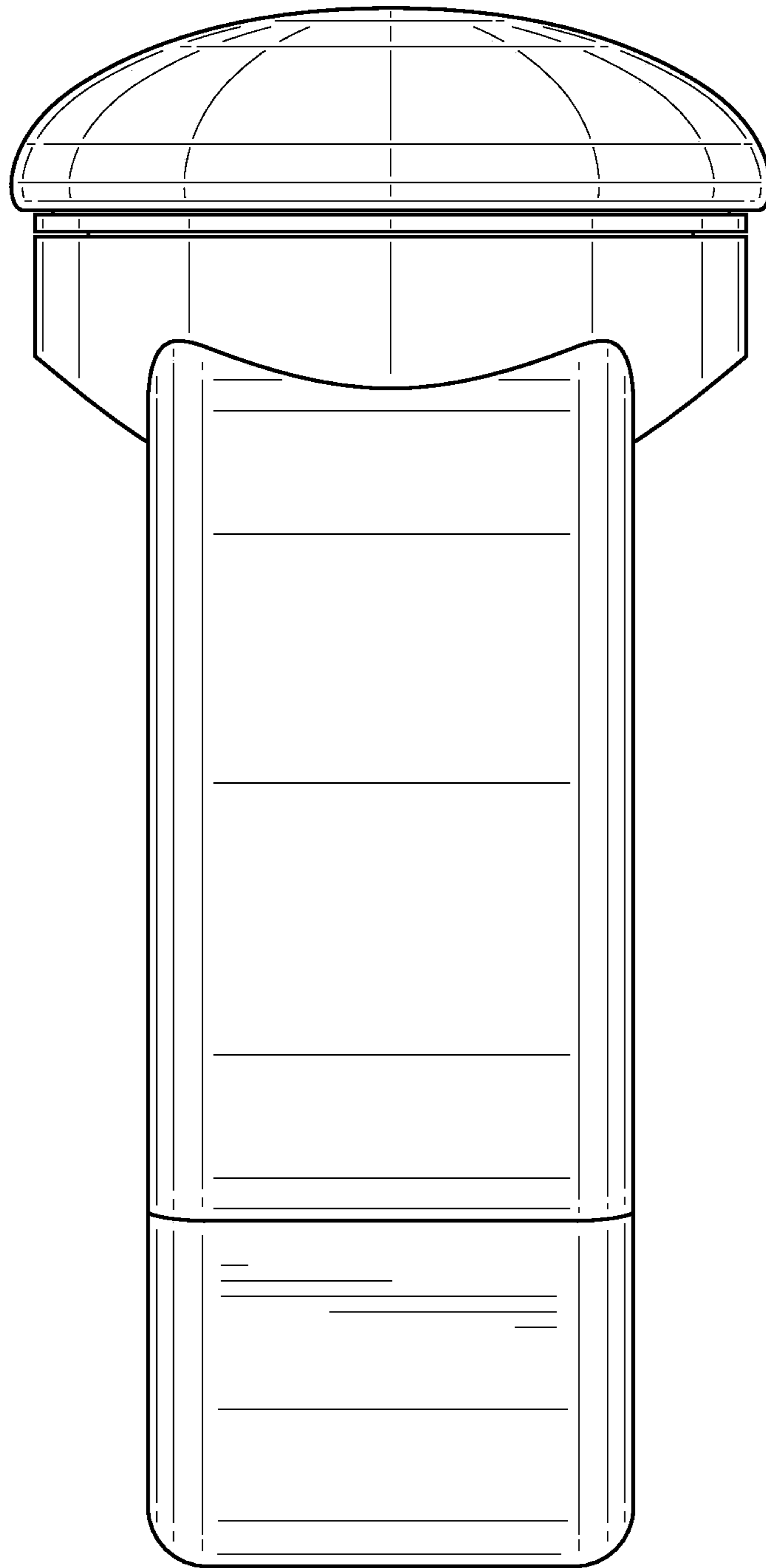


FIG. 4

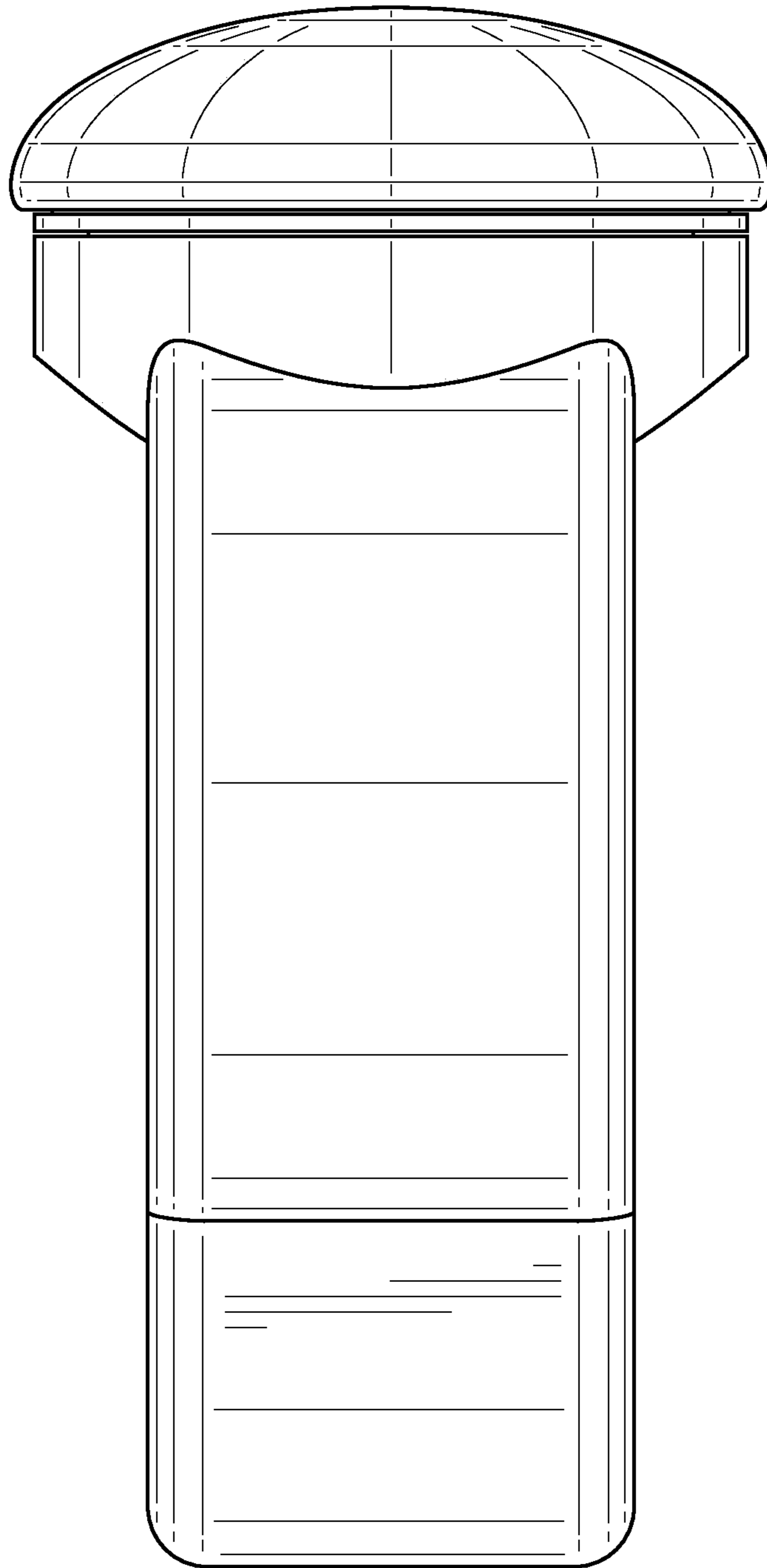


FIG. 5

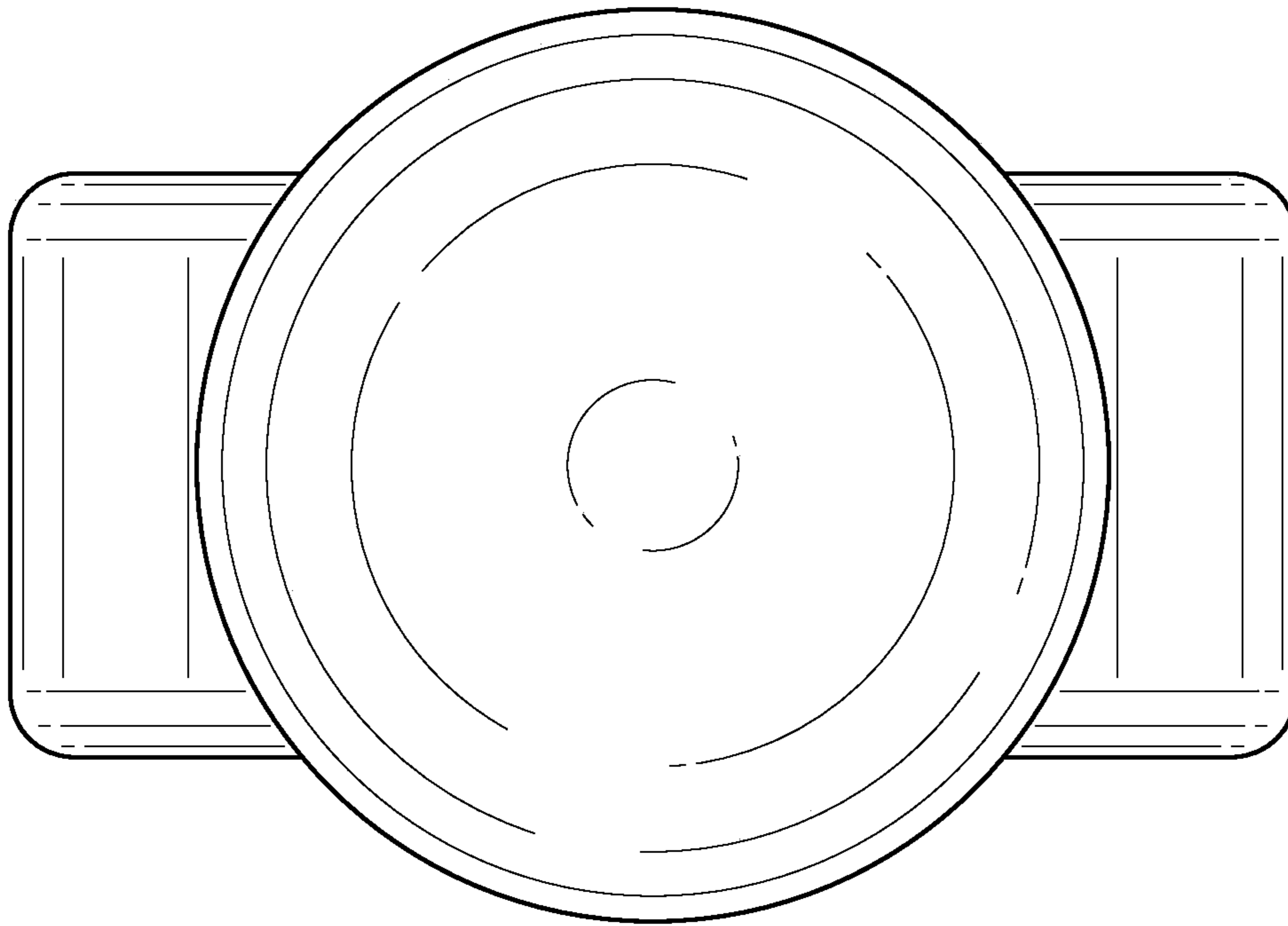


FIG. 6

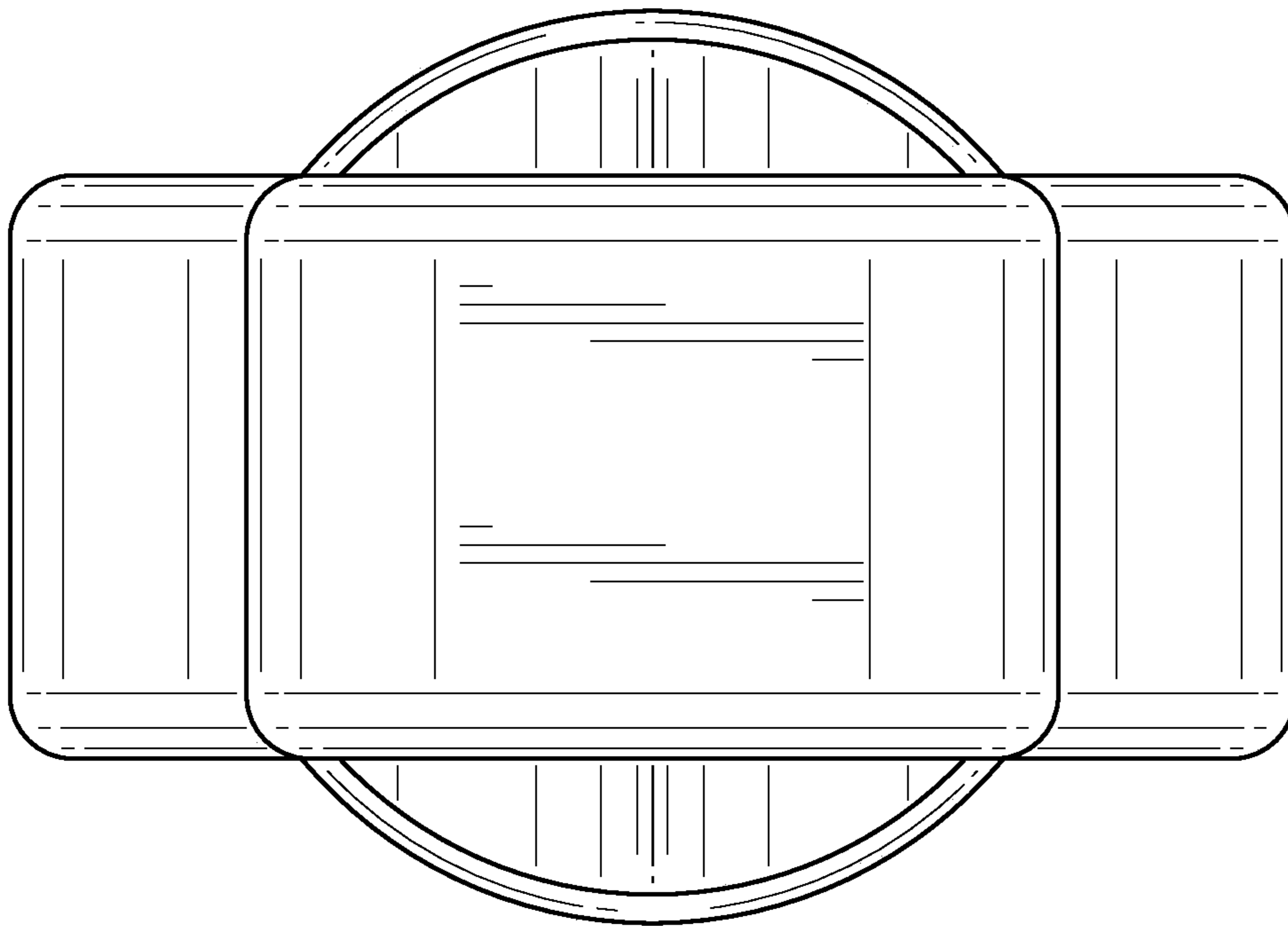


FIG. 7

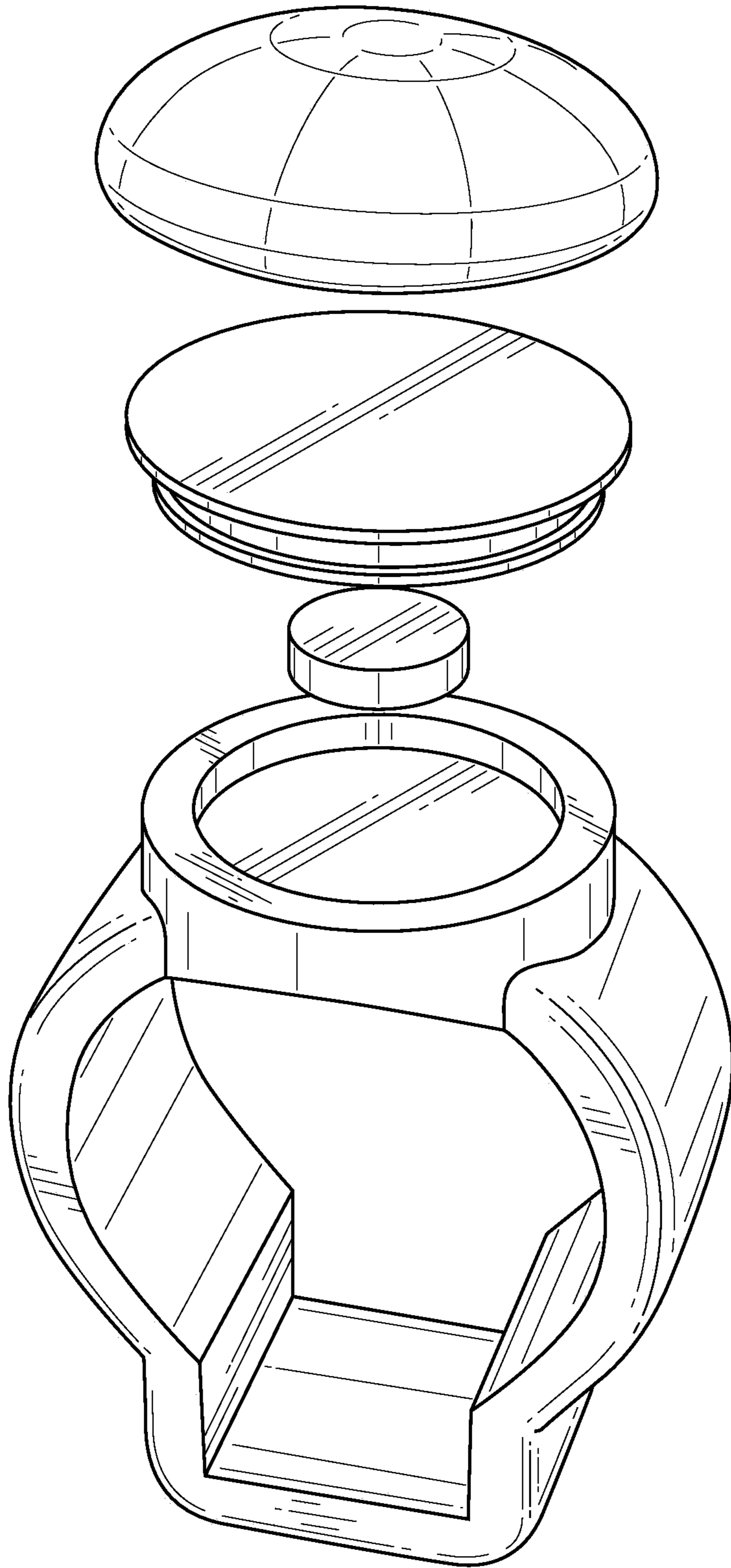


FIG. 8

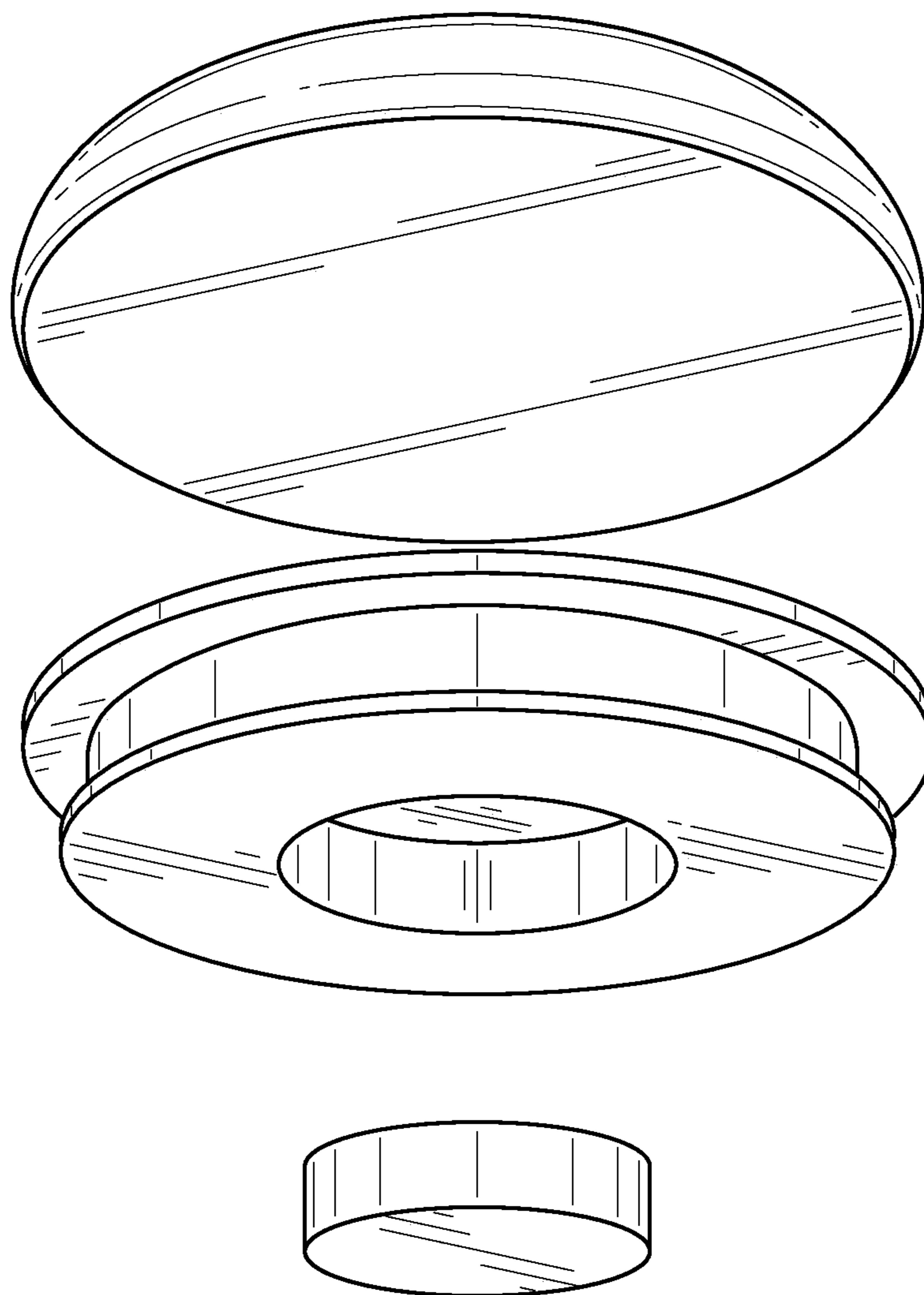


FIG. 9