

US00D963933S

(12) **United States Design Patent** (10) **Patent No.:** **US D963,933 S**
McLaughlin et al. (45) **Date of Patent:** **** Sep. 13, 2022**

- (54) **LIGHT FIXTURE WITH BEVELED FINS**
- (71) Applicant: **RAB Lighting Inc.**, New York, NY (US)
- (72) Inventors: **James McLaughlin**, New York, NY (US); **Jiang Hu**, Ningbo (CN)
- (73) Assignee: **RAB Lighting Inc.**, New York, NY (US)

4,488,205 A	12/1984	Quiogue	
4,626,975 A	12/1986	Miletich	
D295,791 S *	5/1988	Strandberg	D26/63
D300,864 S	4/1989	Titmarsh	
D308,111 S	5/1990	Banathy et al.	
D319,891 S	9/1991	Giese	
D345,025 S	3/1994	Tsao	
D345,226 S	3/1994	Tsao	
D355,502 S	2/1995	Liao	
D357,992 S *	5/1995	Mehaffey	D26/63
D360,962 S *	8/1995	Cornell	D26/63

(Continued)

(**) Term: **15 Years**

(21) Appl. No.: **29/705,886**

(22) Filed: **Sep. 16, 2019**

(51) **LOC (13) Cl.** **26-99**

(52) **U.S. Cl.**
USPC **D26/118**; D26/63

(58) **Field of Classification Search**
USPC D26/63, 71, 72, 92, 118
CPC F21S 8/036; F21S 8/086; F21V 21/26;
F21V 29/763; F21V 29/767; F21V 29/77;
F21V 29/777; F21W 2131/103; F21W
2131/1005; F21W 2131/406; F21W
2111/02

See application file for complete search history.

(56) **References Cited**

U.S. PATENT DOCUMENTS

1,744,370 A	1/1930	Dietz et al.	
D106,774 S	11/1937	Phillips	
D183,068 S *	6/1958	Spaulding et al.	D26/71
D203,865 S	2/1966	Cooper	
3,363,091 A	1/1968	Cooper	
D214,584 S	7/1969	Routh et al.	
3,751,657 A	8/1973	Sangiomo et al.	
D241,671 S	9/1976	D'Ercoll et al.	
4,143,413 A	3/1979	Kelly	
4,315,302 A	2/1982	Petralia	
4,379,321 A	4/1983	Plemmons et al.	
4,480,809 A	11/1984	Healey	

OTHER PUBLICATIONS

RAB 87W 5000K LED Dimmable Flood Light, ASIN: B084KHB8C3.
Available from amazon.com Feb. 6, 2020. (Year: 2020).*

(Continued)

Primary Examiner — Clare E Heflin
(74) *Attorney, Agent, or Firm* — Innovation Law Office;
Dennis S. Schell

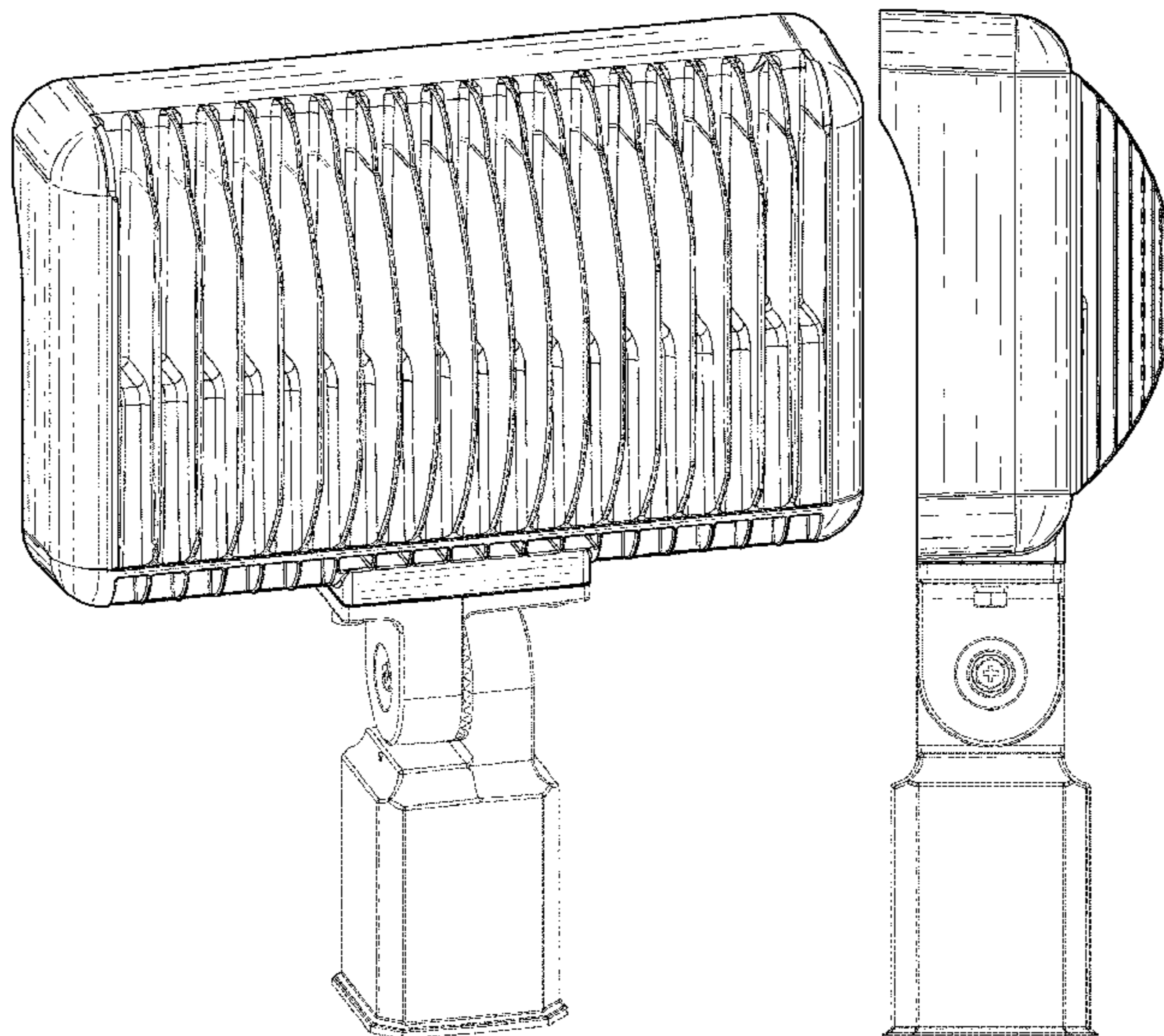
(57) **CLAIM**

The ornamental design for a light fixture with beveled fins, as shown and described.

DESCRIPTION

FIG. 1 is a front perspective view of a light fixture with beveled fins showing the claimed design; FIG. 2 is a rear perspective view thereof; FIG. 3 is a front view thereof; FIG. 4 is a rear view thereof; FIG. 5 is a left side view thereof; FIG. 6 is a right side view thereof; FIG. 7 is a top view thereof; and, FIG. 8 is a bottom view thereof. The broken lines in the figures show portions of the light fixture with beveled fins that form no part of the claimed design.

1 Claim, 6 Drawing Sheets



(56)

References Cited

U.S. PATENT DOCUMENTS

D407,836 S 4/1999 Leen
 D420,458 S 2/2000 Guercio
 D434,515 S 11/2000 McNamara
 D453,227 S 1/2002 Lin
 D465,592 S 11/2002 Lin
 D475,154 S 5/2003 Binsukor
 D479,015 S 8/2003 Tang
 D544,125 S 6/2007 Guercio
 D545,471 S 6/2007 Guercio
 D545,472 S 6/2007 Guercio et al.
 D545,987 S 7/2007 Guercio
 D547,477 S 7/2007 Guercio
 D547,478 S 7/2007 Guercio
 D549,380 S 8/2007 Guercio
 D550,387 S 9/2007 Guercio
 D550,392 S 9/2007 Guercio
 D550,877 S 9/2007 Mullen
 D552,282 S 10/2007 Guercio
 D552,283 S 10/2007 Guercio
 D552,778 S 10/2007 Butler
 D561,369 S 2/2008 Sandell
 D561,370 S * 2/2008 Sandell D26/63
 D565,223 S 3/2008 Guercio
 D565,772 S * 4/2008 Guercio D26/71
 D566,318 S 4/2008 Quiogue et al.
 D574,102 S 7/2008 Quiogue et al.
 D577,141 S 9/2008 Monroe
 7,527,390 B2 5/2009 Kakuta
 D610,734 S 2/2010 Ward et al.
 D611,635 S 3/2010 Gordin
 D612,975 S 3/2010 Guercio et al.
 D618,374 S 6/2010 Guercio
 D625,450 S 10/2010 Rosenkrantz et al.
 D629,550 S 12/2010 Sandell
 D635,712 S 4/2011 Leen
 D642,719 S 8/2011 Lindholm et al.
 D643,147 S 8/2011 Guercio
 D648,479 S 11/2011 Herman
 8,403,530 B2 3/2013 Singer et al.
 D679,856 S 4/2013 Guercio et al.
 D695,949 S 12/2013 Gordin et al.
 8,646,948 B1 2/2014 Reo et al.
 D734,532 S * 7/2015 Gordin D26/118

D739,072 S 9/2015 Adams et al.
 D739,594 S 9/2015 Adams et al.
 D740,997 S 10/2015 Chang et al.
 D751,751 S 3/2016 Lockart et al.
 D759,291 S 6/2016 Chen
 D770,078 S 10/2016 Largent
 D772,474 S 11/2016 Chang et al.
 D775,401 S 12/2016 Sibitzky et al.
 D775,402 S 12/2016 Sibitzky et al.
 D775,403 S 12/2016 Adams et al.
 9,605,843 B2 * 3/2017 Gebhard F21S 45/47
 D784,599 S 4/2017 Sibitzky et al.
 D804,074 S 11/2017 Fang
 D805,241 S 12/2017 Fletcher et al.
 D807,538 S 1/2018 Guercio et al.
 D851,297 S 6/2019 Dennis et al.
 D862,758 S 10/2019 Zhu
 D863,613 S 10/2019 Korpi
 D864,428 S 10/2019 Yang
 D870,949 S * 12/2019 Li D26/71
 D889,717 S * 7/2020 Kim D26/63
 D899,662 S 10/2020 Chami et al.
 D900,379 S 10/2020 McLaughlin et al.
 D905,314 S * 12/2020 Pan D26/71
 D913,574 S 3/2021 Kujawa et al.
 D918,453 S 5/2021 Rang
 D919,151 S 5/2021 Wu
 D921,258 S 6/2021 Xu
 D921,259 S 6/2021 Smith et al.
 D942,064 S * 1/2022 Zhu D26/63
 2010/0091507 A1 4/2010 Li et al.
 2011/0292652 A1 12/2011 Huang et al.
 2012/0236558 A1 9/2012 Roudeski et al.
 2012/0293989 A1 11/2012 Duan et al.
 2014/0177225 A1 * 6/2014 Tsao F21S 8/00
 362/294
 2020/0240616 A1 7/2020 Sieczkowski

OTHER PUBLICATIONS

Kadision LED Flood Light, ASIN: B076F52KVB. Available from amazon.com May 28, 2018. (Year: 2018).*
 Cinoton 50W LED Flood Light, ASIN: B0761QD57X. Available from amazon.com Sep. 29, 2017. (Year: 2017).*

* cited by examiner

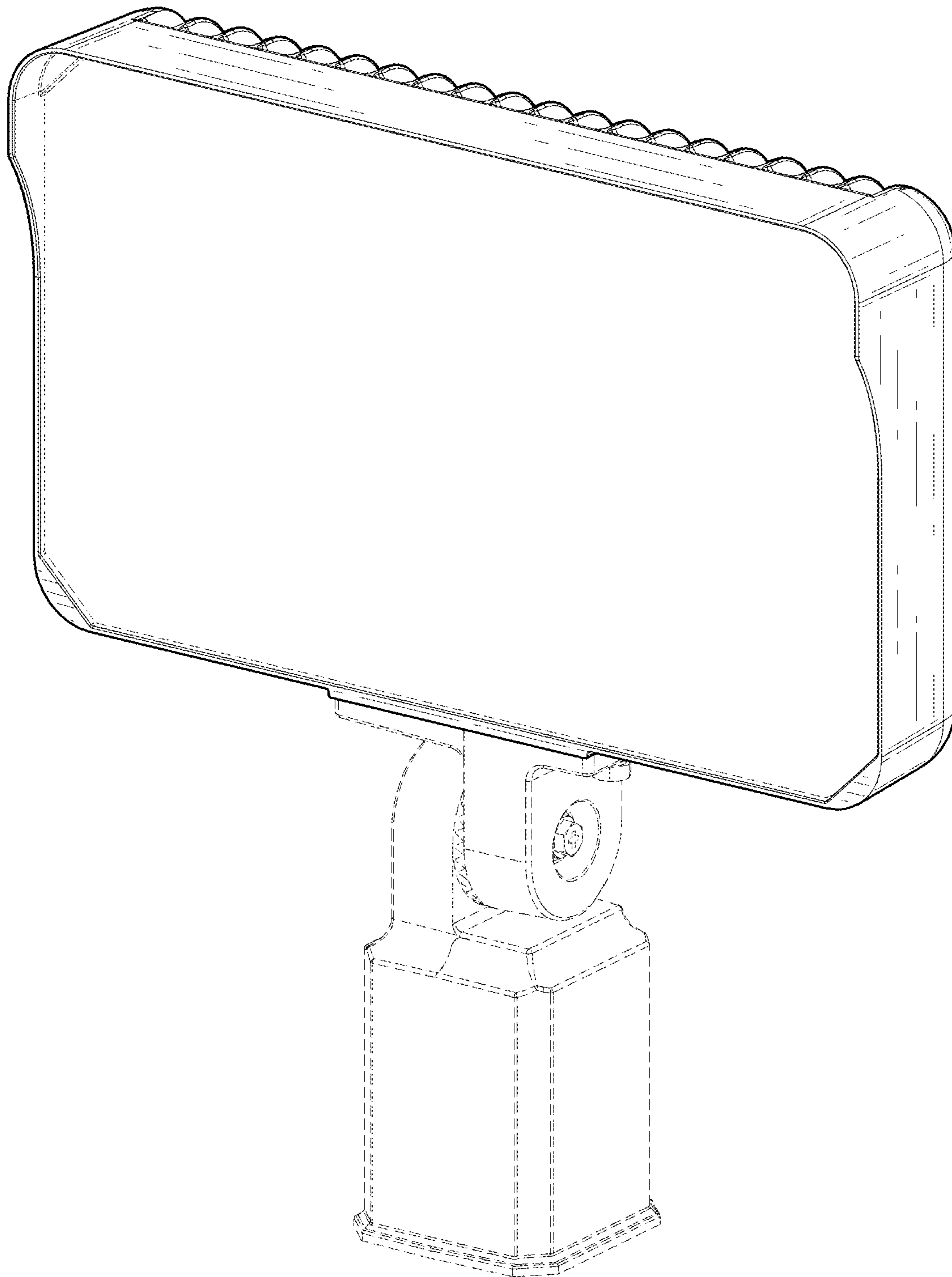


Fig. 1

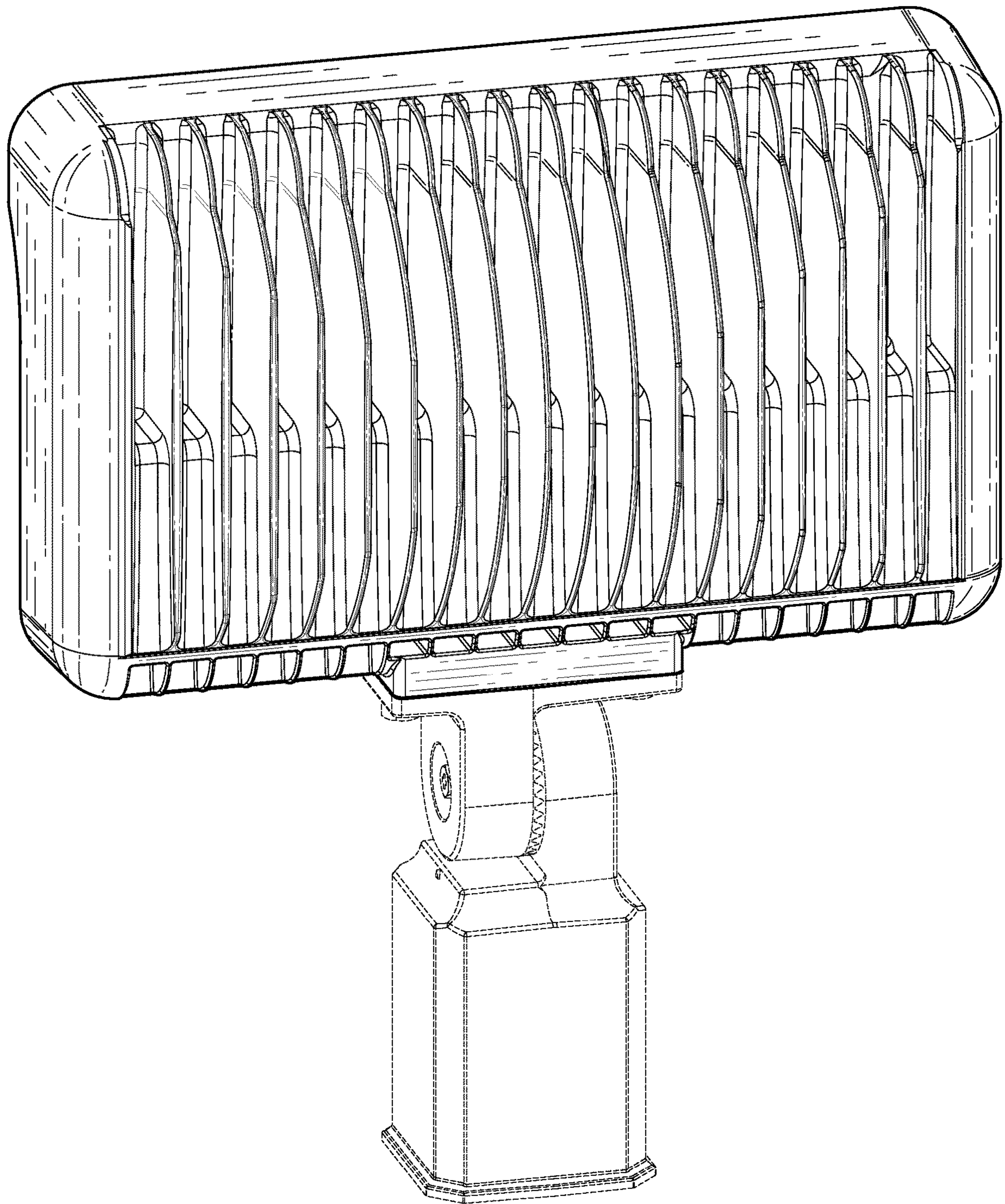


Fig. 2

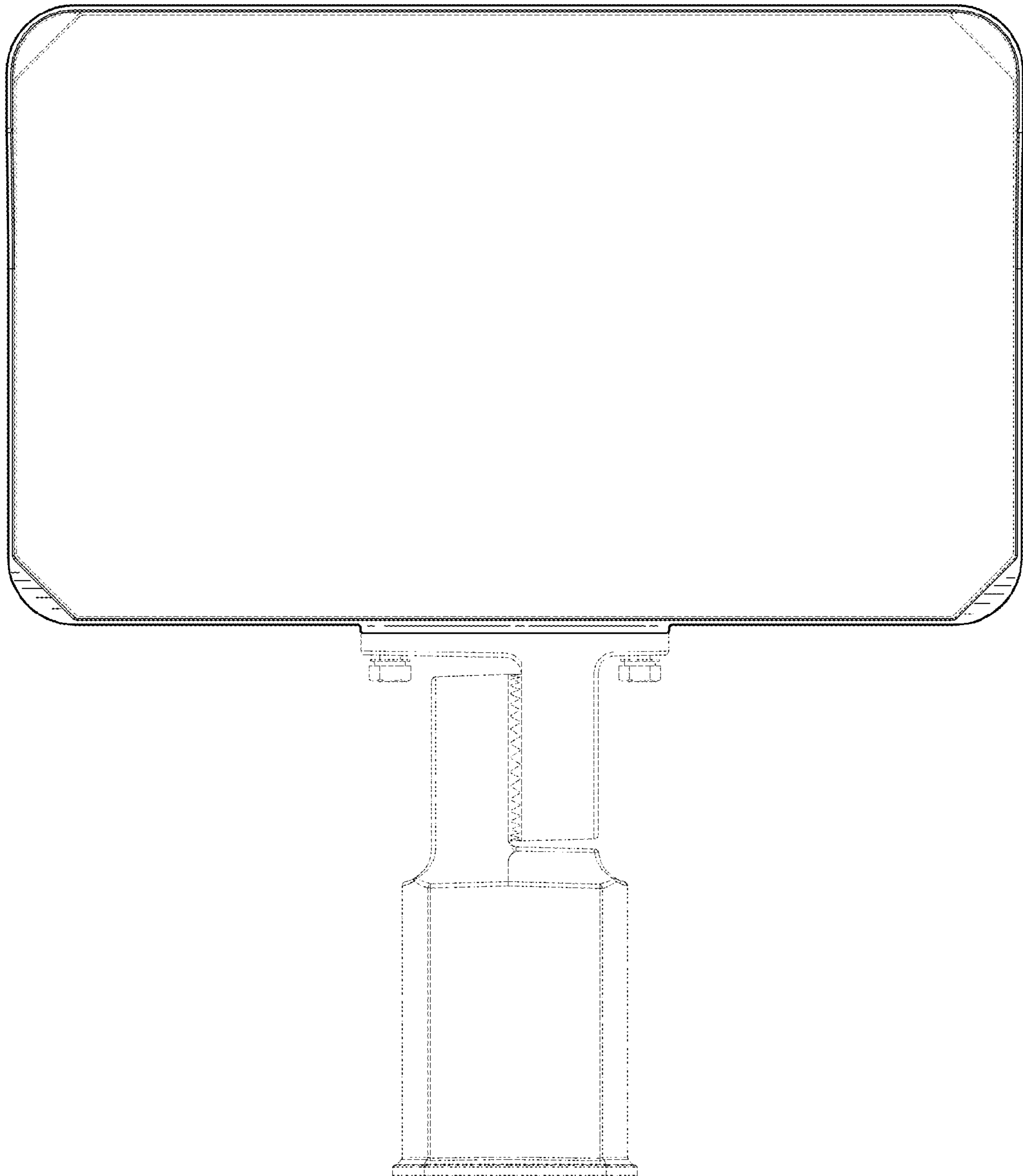


Fig. 3

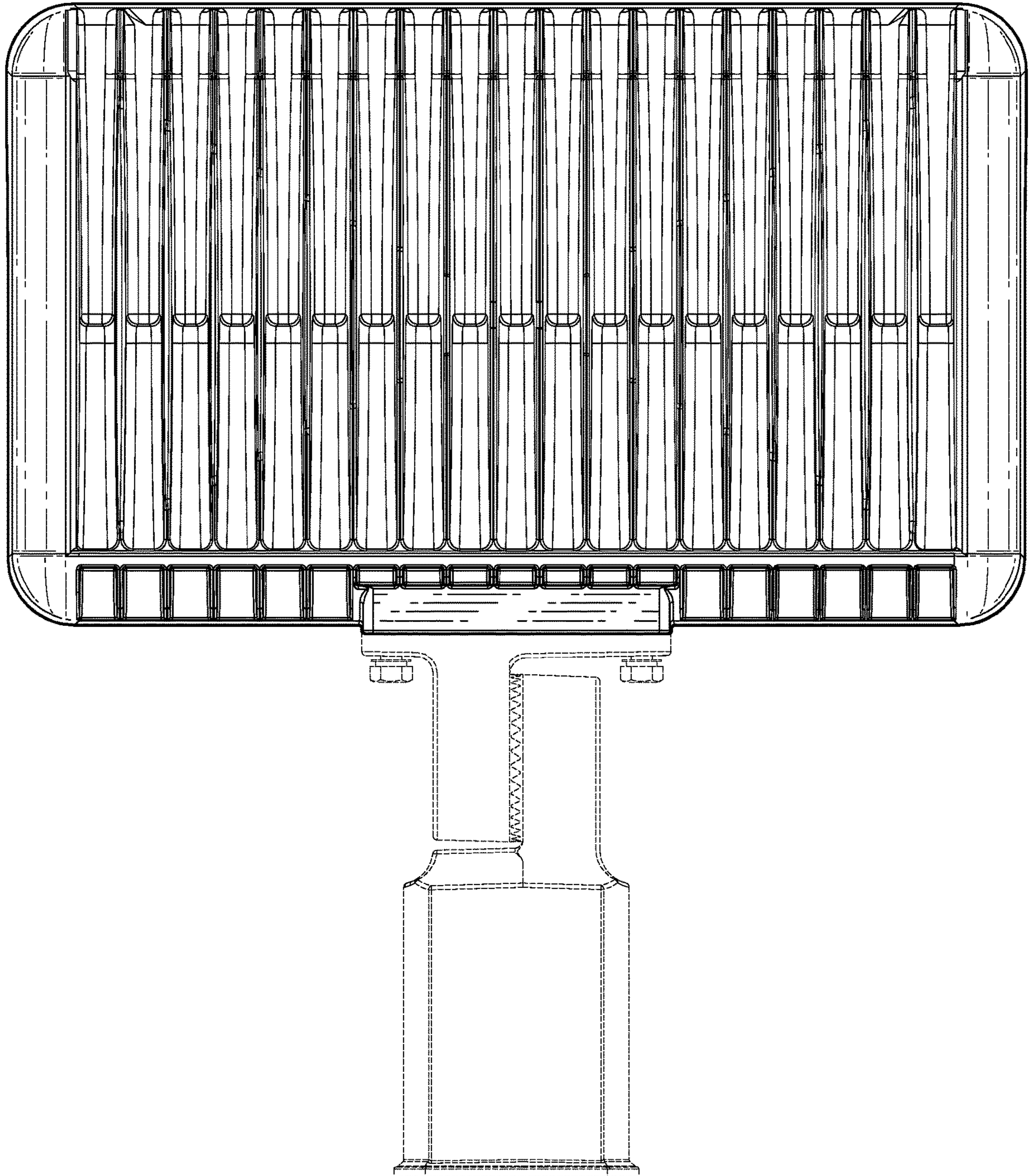


Fig. 4

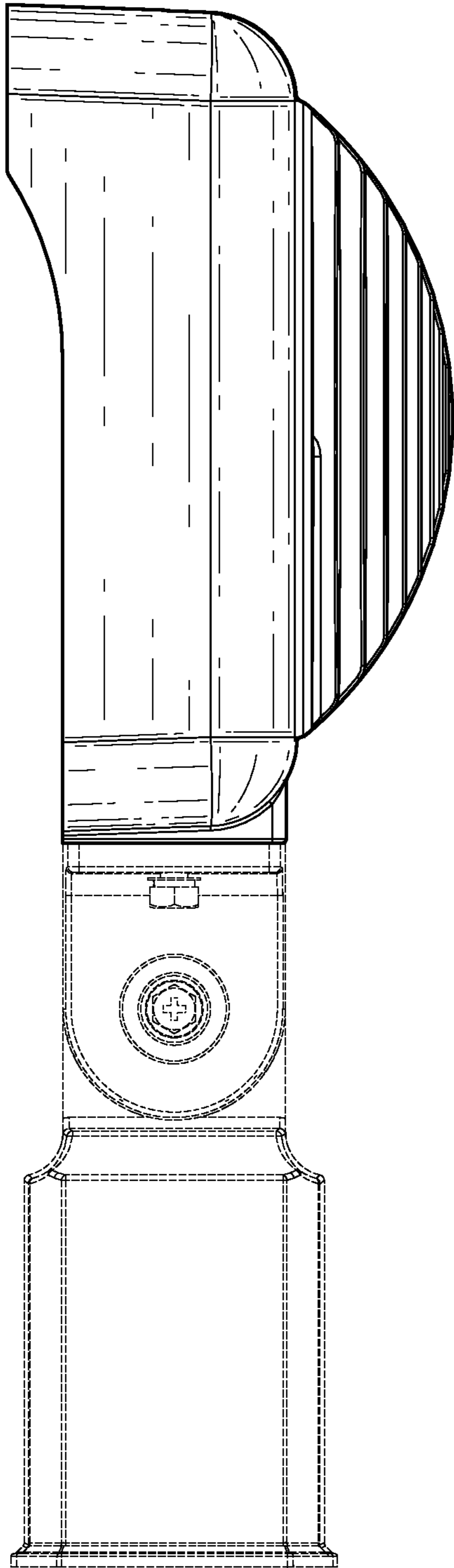


Fig. 5

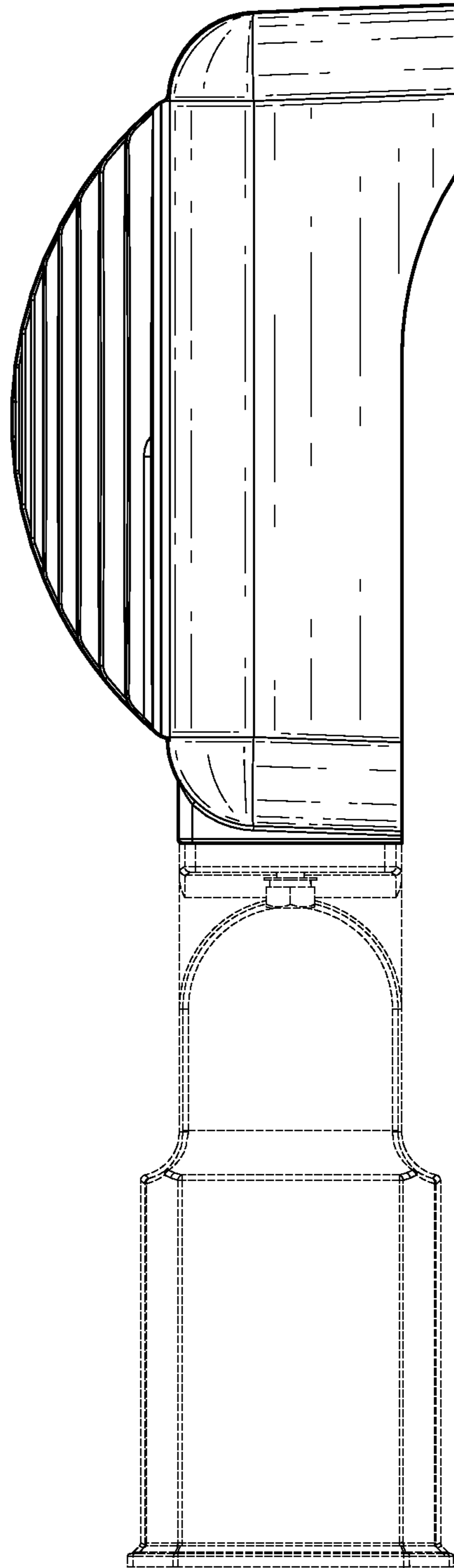


Fig. 6

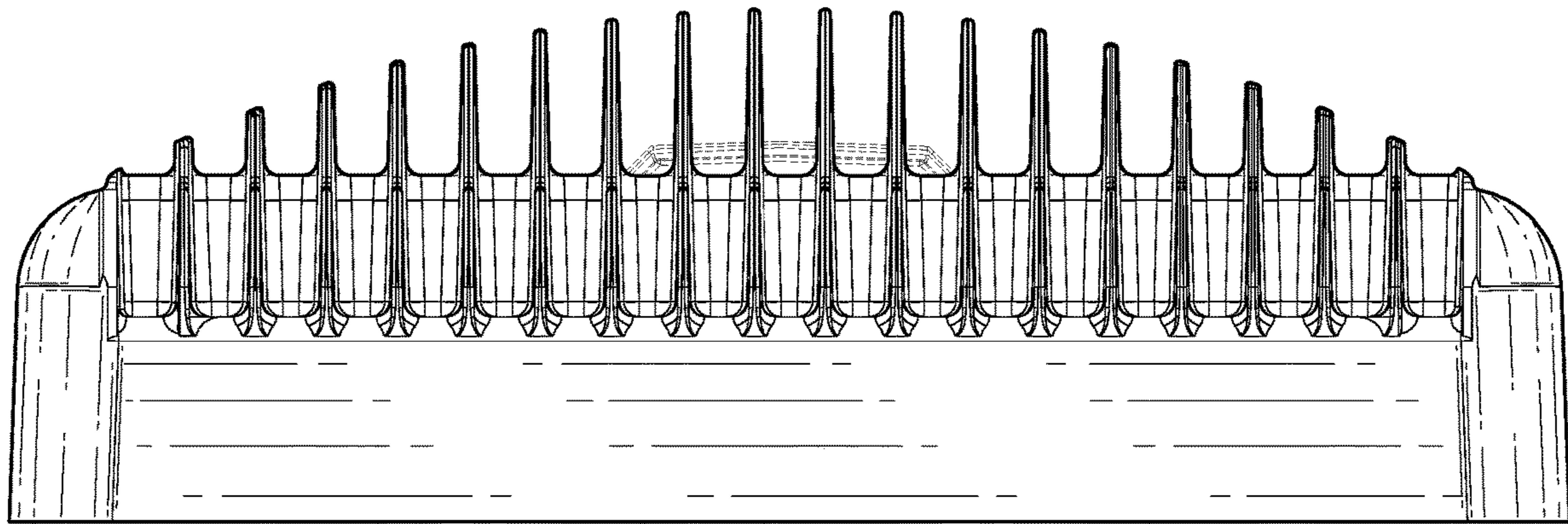


Fig. 7

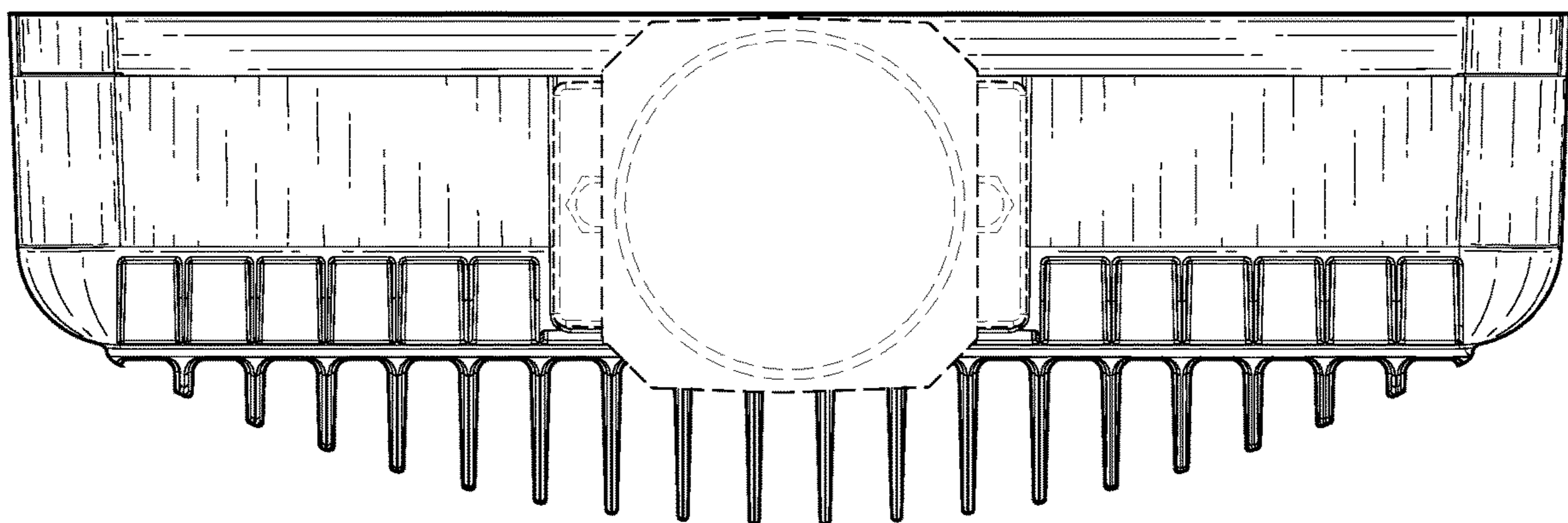


Fig. 8