



US00D963932S

(12) **United States Design Patent**
Chen

(10) **Patent No.:** **US D963,932 S**

(45) **Date of Patent:** **** Sep. 13, 2022**

(54) **TABLE LAMP**

(71) Applicant: **SHENZHEN CHUANMING TECHNOLOGY CO., LTD.**, Shenzhen (CN)

(72) Inventor: **Zhenmei Chen**, Shenzhen (CN)

(73) Assignee: **SHENZHEN CHUANMING TECHNOLOGY CO., LTD.**, Shenzhen (CN)

(**) Term: **15 Years**

(21) Appl. No.: **29/811,547**

(22) Filed: **Oct. 15, 2021**

(51) **LOC (13) Cl.** **26-05**

(52) **U.S. Cl.**
USPC **D26/107**

(58) **Field of Classification Search**
USPC D26/9, 10, 51, 62, 63, 85, 93, 94, 96, D26/100, 106, 107, 108, 118, 119, 137
CPC F21S 6/00; F21S 6/002; F21S 6/003; F21S 6/004; F21S 6/005; F21S 6/006; F21S 8/08; F21S 8/032; F21S 8/033; F21S 8/035; F21S 8/036; F21W 2131/30; F21W 2131/301; F21V 1/00; F21V 1/04; F21V 1/20; F21V 1/143; F21V 3/00; F21V 3/02; F21V 3/04; F21V 3/061
See application file for complete search history.

(56) **References Cited**

U.S. PATENT DOCUMENTS

D469,202 S	1/2003	Tsai	
D618,844 S *	6/2010	Huang	D26/107
D639,489 S *	6/2011	Huang	D26/107
D639,491 S *	6/2011	Chen	D26/107
D681,865 S *	5/2013	Lee	D26/107
D747,536 S *	1/2016	Huh	D26/107

D804,071 S *	11/2017	Xu	D26/63
D804,072 S *	11/2017	Xu	D26/63
D825,094 S	8/2018	Hendifar et al.	
D840,583 S *	2/2019	Yu	D26/107
D847,403 S *	4/2019	Baker	D26/107
D850,686 S *	6/2019	Wang	D26/65
D858,835 S *	9/2019	Xiao	D26/93
D866,845 S *	11/2019	Gruendl	D26/107
D873,463 S *	1/2020	Wang	D26/65
D874,049 S *	1/2020	Sun	D26/107
D882,858 S *	4/2020	Sun	D26/107
D903,930 S *	12/2020	Chen	D26/107
D907,837 S *	1/2021	Tang	D26/107
D907,838 S *	1/2021	Hood	D26/107
D935,684 S *	11/2021	Wu	D26/107
D947,440 S *	3/2022	Pardo	D26/107
D948,103 S *	4/2022	Tong	D26/65
D950,138 S *	4/2022	Huang	D26/65
D952,236 S *	5/2022	Zhang	D26/93
2022/0069597 A1 *	3/2022	Hwang	H02J 50/10

* cited by examiner

Primary Examiner — Wan Laymon
Assistant Examiner — Clint A Samuel

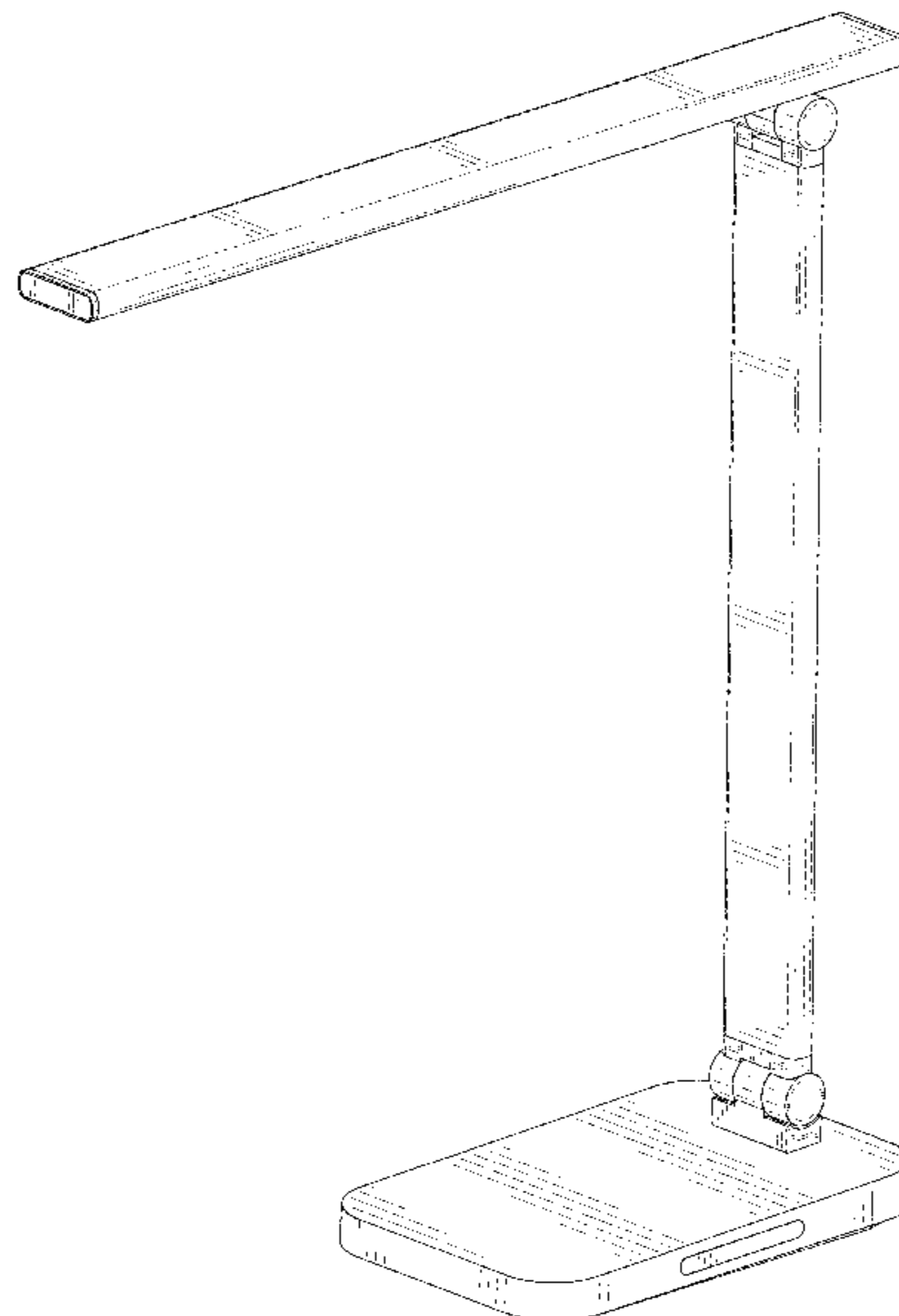
(57) **CLAIM**

The ornamental design for a table lamp, as shown and described.

DESCRIPTION

FIG. 1 is a perspective view of a table lamp showing my new design;
FIG. 2 is another perspective view thereof;
FIG. 3 is a front elevational view thereof;
FIG. 4 is a rear elevational view thereof;
FIG. 5 is a left side elevational view thereof;
FIG. 6 is a right side elevational view thereof;
FIG. 7 is a top plan view thereof; and,
FIG. 8 is a bottom plan view thereof.
The broken lines in the drawings depict portions of the table lamp that form no part of the claimed design.

1 Claim, 8 Drawing Sheets



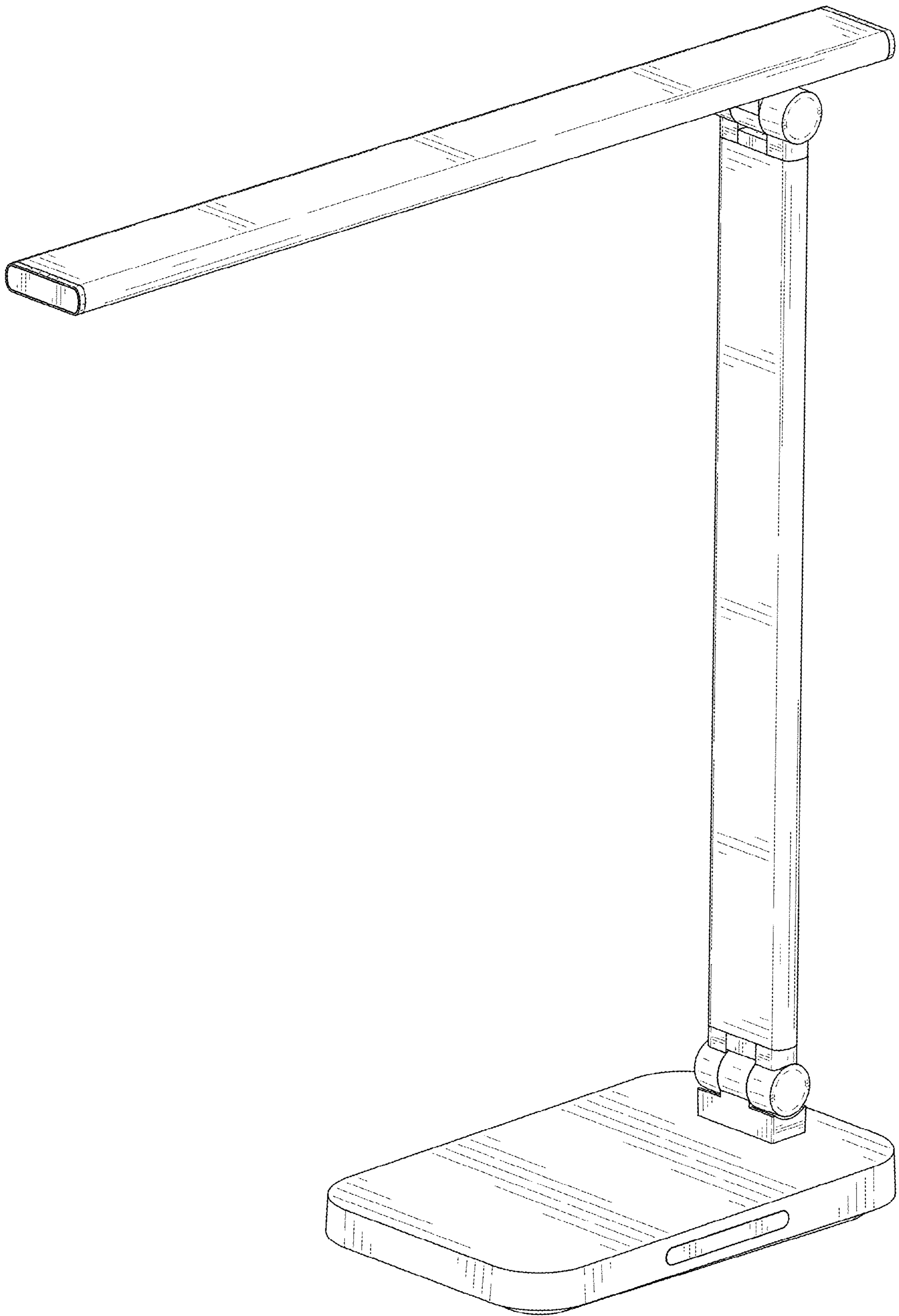


FIG. 1

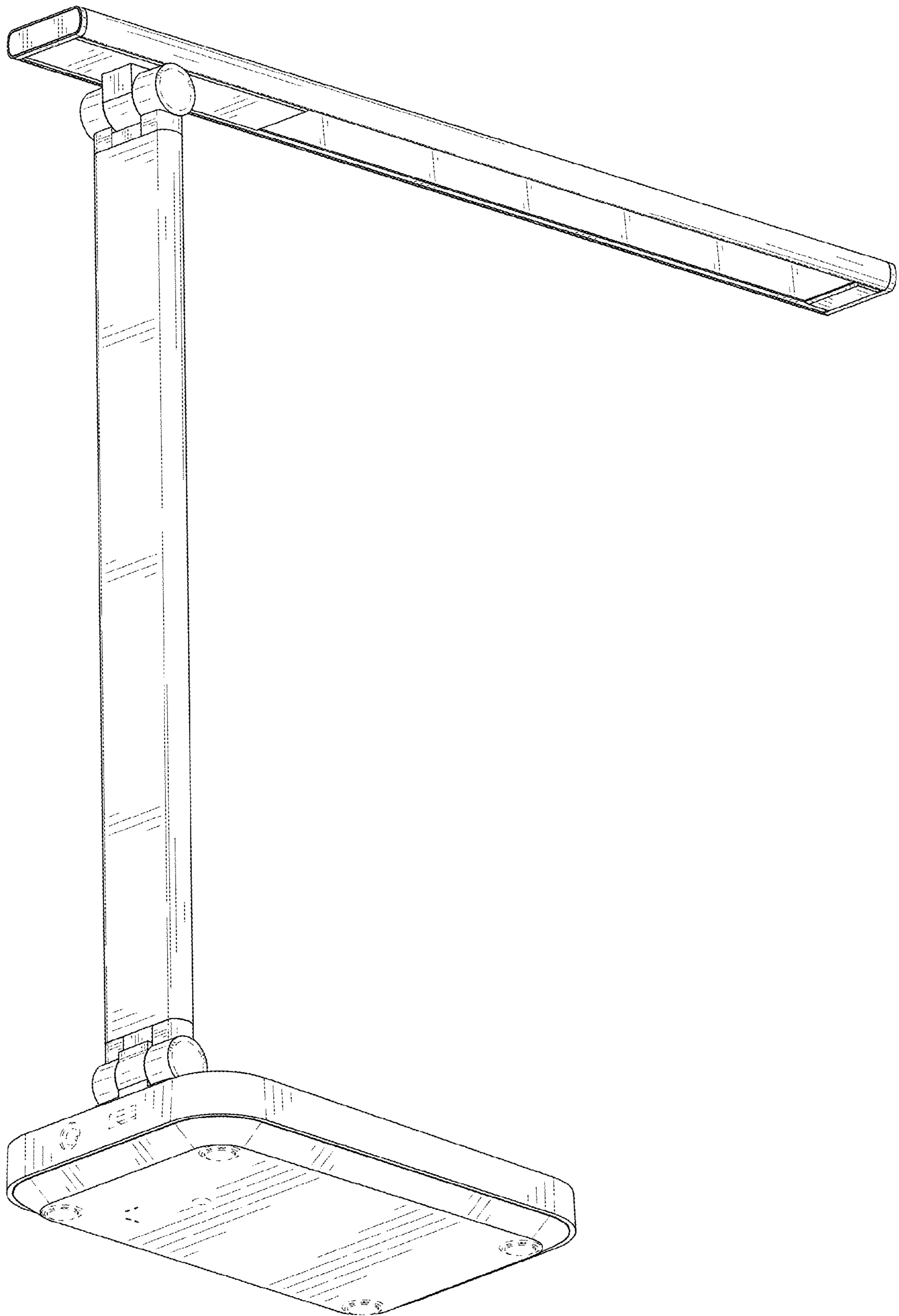


FIG. 2

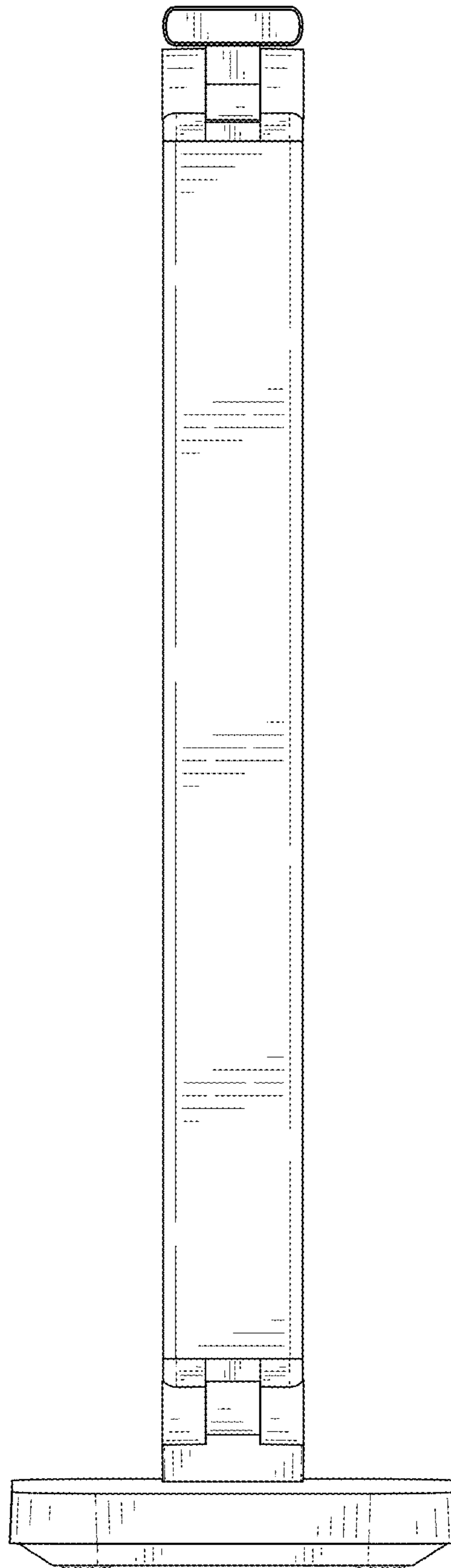


FIG. 3

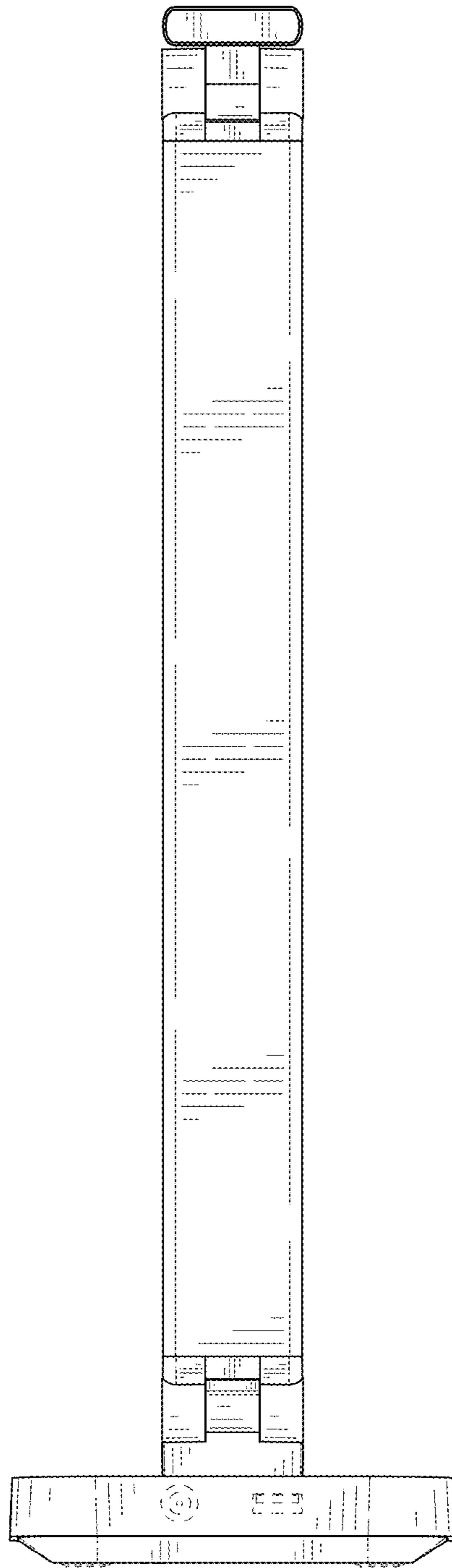


FIG. 4

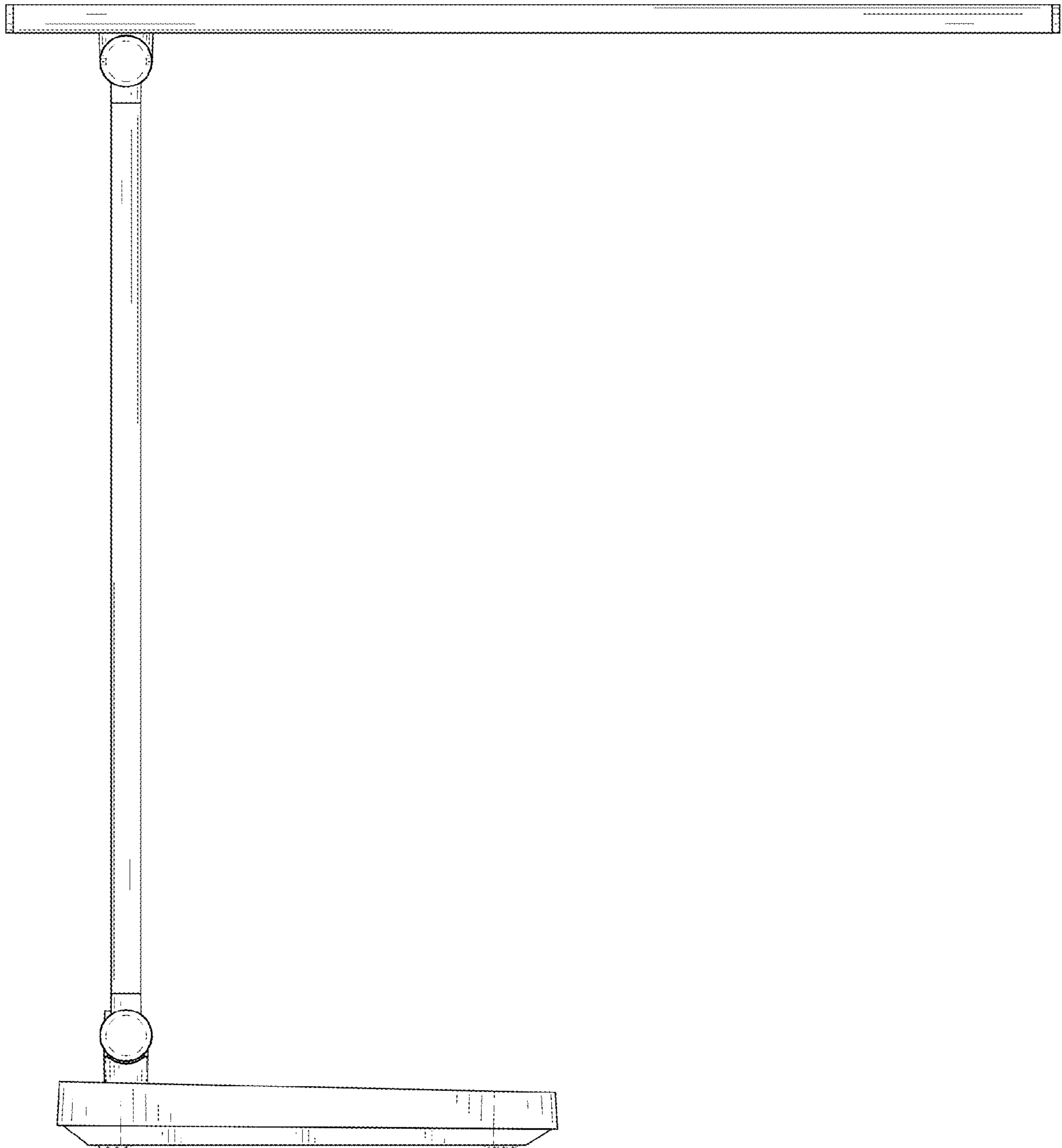


FIG. 5

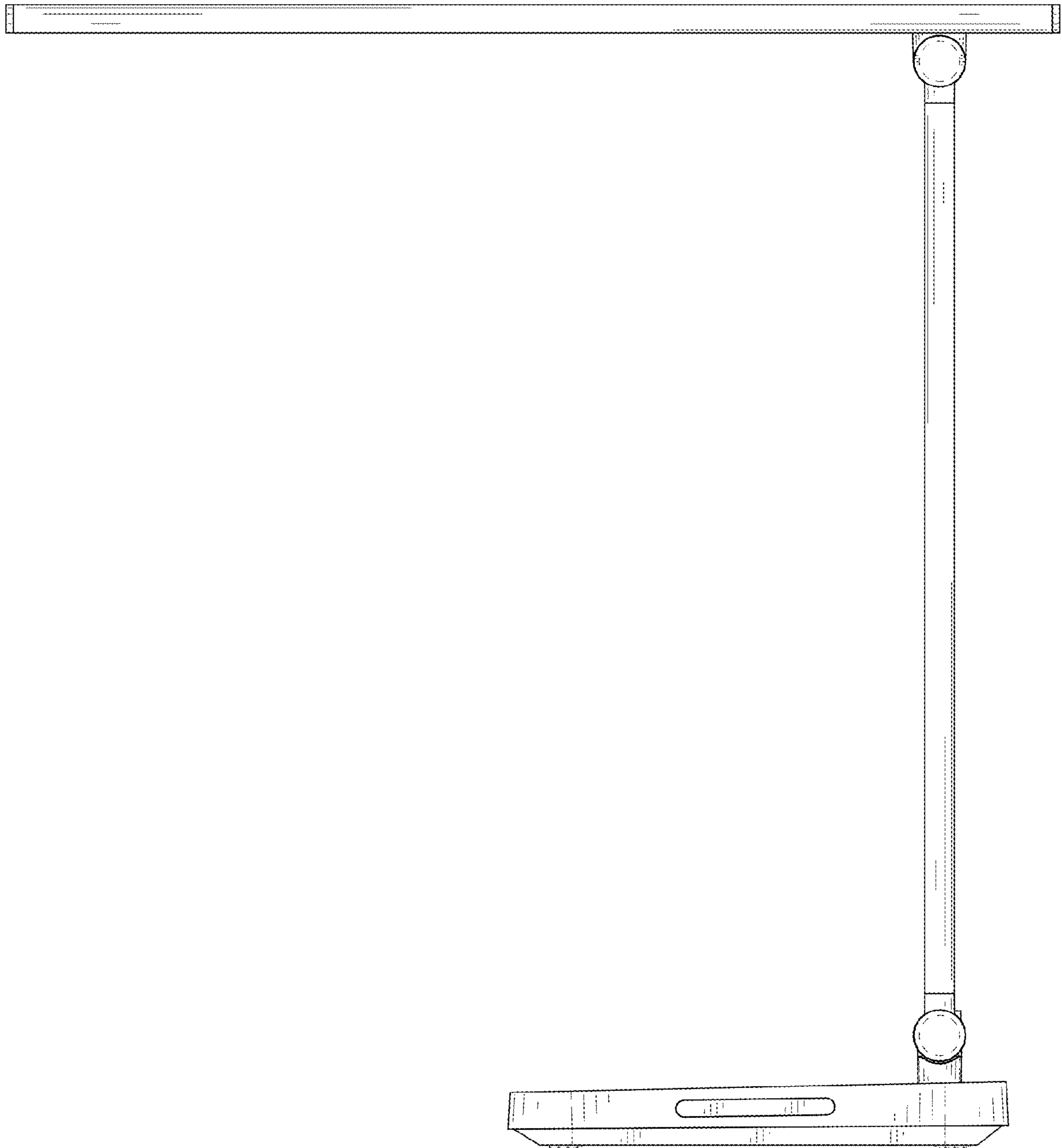


FIG. 6

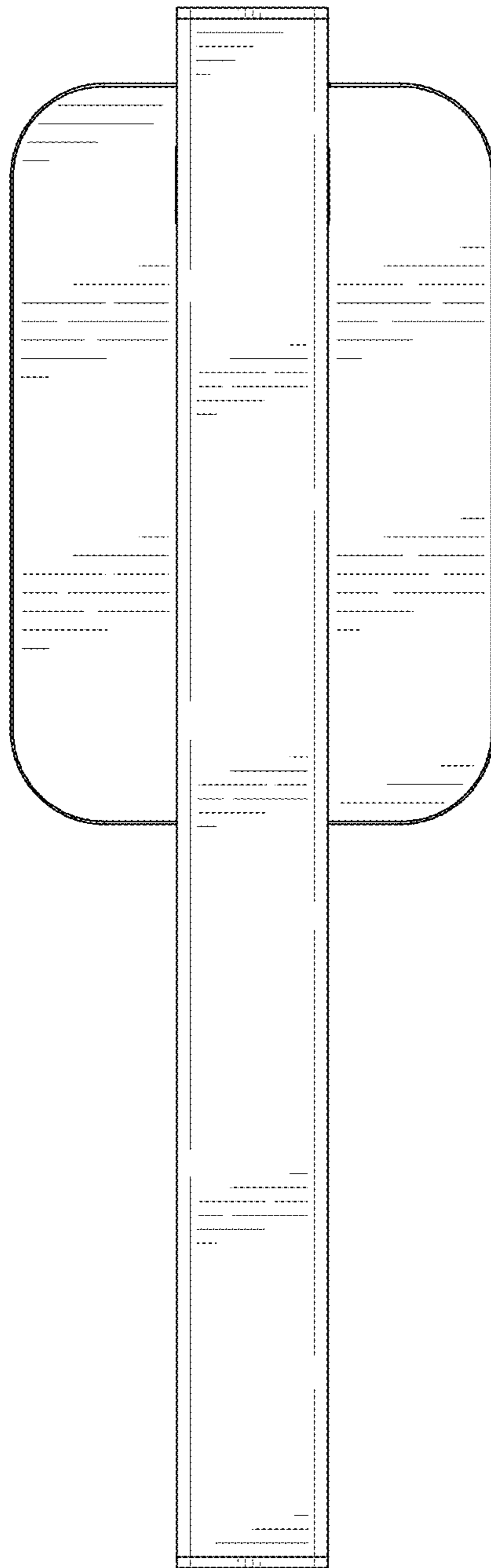


FIG. 7

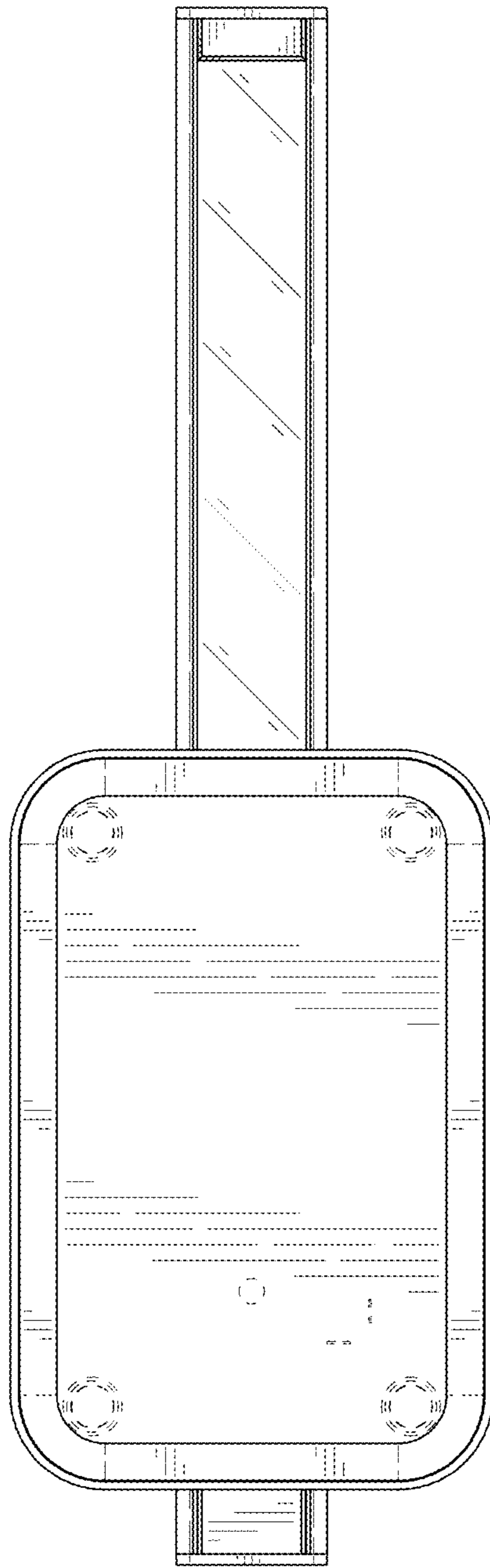


FIG. 8