

US00D963931S

(12) **United States Design Patent** (10) **Patent No.:** **US D963,931 S**
Chen (45) **Date of Patent:** **** Sep. 13, 2022**

(54) **TABLE LAMP**
(71) Applicant: **SHENZHEN CHUANMING TECHNOLOGY CO., LTD.**, Shenzhen (CN)
(72) Inventor: **Zhenmei Chen**, Shenzhen (CN)
(73) Assignee: **SHENZHEN CHUANMING TECHNOLOGY CO., LTD.**, Shenzhen (CN)
(**) Term: **15 Years**
(21) Appl. No.: **29/811,545**
(22) Filed: **Oct. 15, 2021**
(51) **LOC (13) Cl.** **26-05**
(52) **U.S. Cl.**
USPC **D26/107**
(58) **Field of Classification Search**
USPC D26/9, 10, 51, 62, 63, 85, 93, 94, 96, D26/100, 106, 107, 108, 118, 119, 137
CPC F21S 6/00; F21S 6/002; F21S 6/003; F21S 6/004; F21S 6/005; F21S 6/006; F21S 8/08; F21S 8/032; F21S 8/033; F21S 8/035; F21S 8/036; F21W 2131/30; F21W 2131/301; F21V 1/00; F21V 1/04; F21V 1/20; F21V 1/143; F21V 3/00; F21V 3/02; F21V 3/04; F21V 3/061
See application file for complete search history.

(56) **References Cited**
U.S. PATENT DOCUMENTS
D469,202 S 1/2003 Tsai
D618,844 S * 6/2010 Huang D26/107
D639,489 S * 6/2011 Huang D26/107
D639,491 S * 6/2011 Chen D26/107
D681,865 S * 5/2013 Lee D26/107
D747,536 S * 1/2016 Huh D26/107

D804,071 S * 11/2017 Xu D26/63
D804,072 S * 11/2017 Xu D26/63
D825,094 S 8/2018 Hendifar et al.
D840,583 S * 2/2019 Yu D26/107
D847,403 S * 4/2019 Baker D26/107
D850,686 S * 6/2019 Wang D26/65
D858,835 S * 9/2019 Xiao D26/93
D866,845 S * 11/2019 Gruendl D26/107
D873,463 S * 1/2020 Wang D26/65
D874,049 S * 1/2020 Sun D26/107
D882,858 S * 4/2020 Sun D26/107
D903,930 S * 12/2020 Chen D26/107
D907,837 S * 1/2021 Tang D26/107
D907,838 S * 1/2021 Hood D26/107
D935,684 S * 11/2021 Wu D26/107
D947,440 S * 3/2022 Pardo D26/107
D948,103 S * 4/2022 Tong D26/65
D950,138 S * 4/2022 Huang D26/65
D952,236 S * 5/2022 Zhang D26/93
2022/0069597 A1 * 3/2022 Hwang H02J 50/10

* cited by examiner

Primary Examiner — Wan Laymon
Assistant Examiner — Clint A Samuel

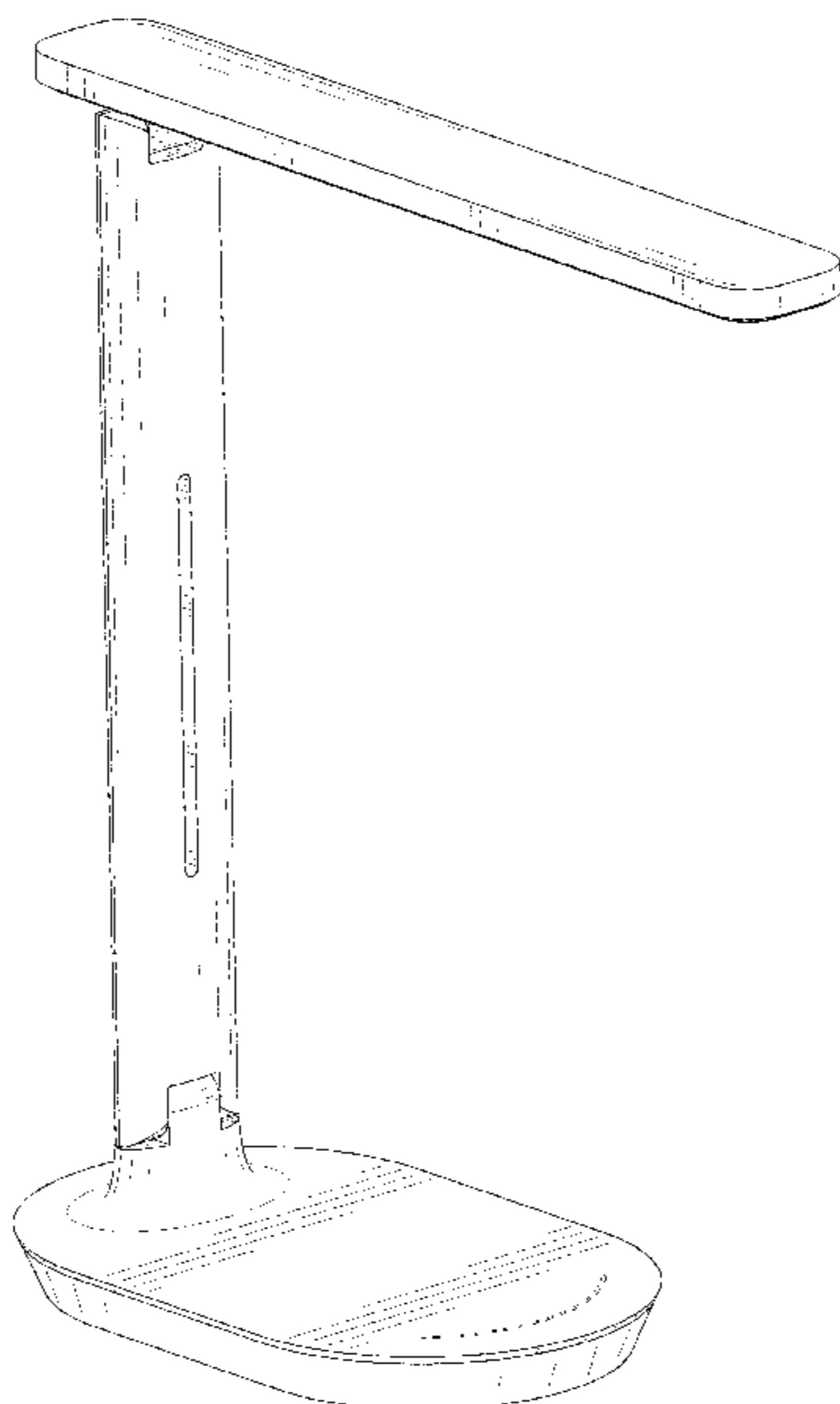
(57) **CLAIM**

The ornamental design for a table lamp, as shown and described.

DESCRIPTION

FIG. 1 is a perspective view of a table lamp showing my new design;
FIG. 2 is another perspective view thereof;
FIG. 3 is a front elevational view thereof;
FIG. 4 is a rear elevational view thereof;
FIG. 5 is a left side elevational view thereof;
FIG. 6 is a right side elevational view thereof;
FIG. 7 is a top plan view thereof; and,
FIG. 8 is a bottom plan view thereof.
The broken lines in the drawings depict portions of the table lamp that form no part of the claimed design.

1 Claim, 8 Drawing Sheets



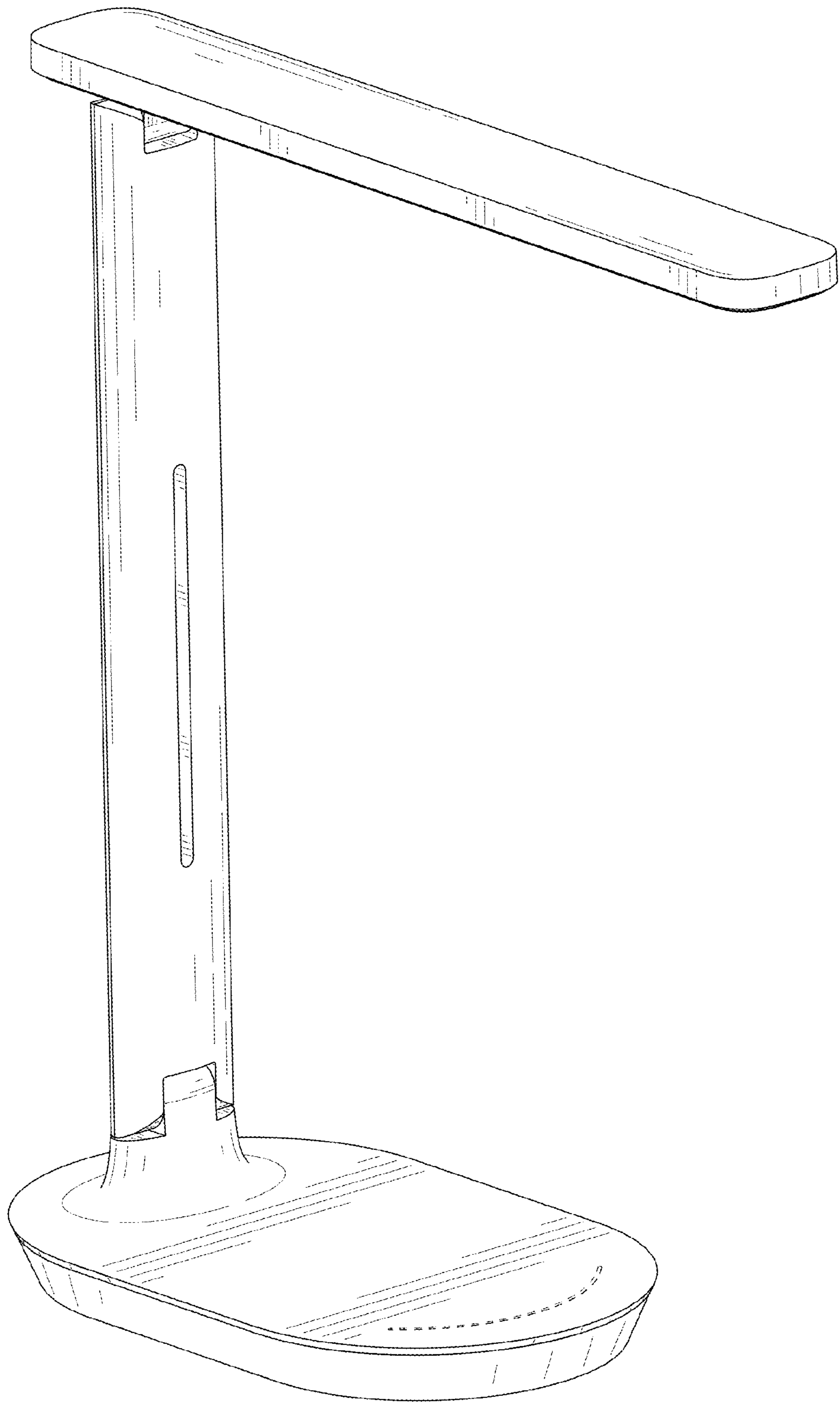


FIG. 1

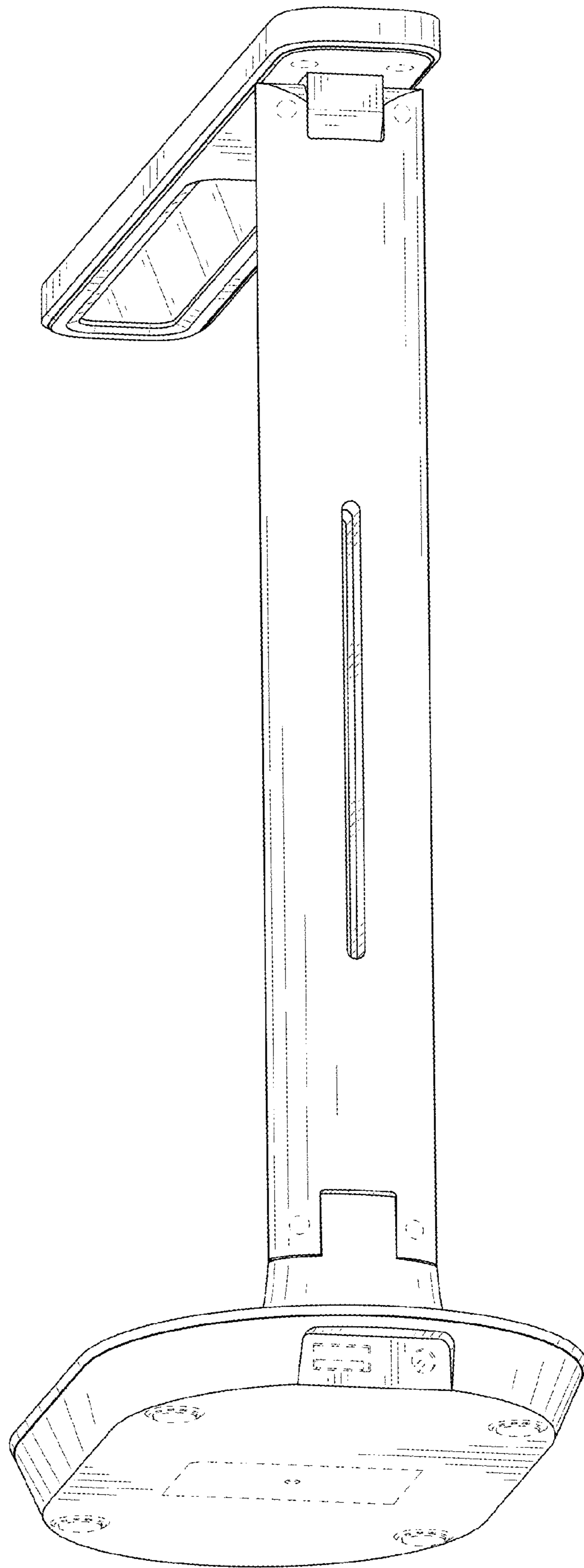


FIG. 2

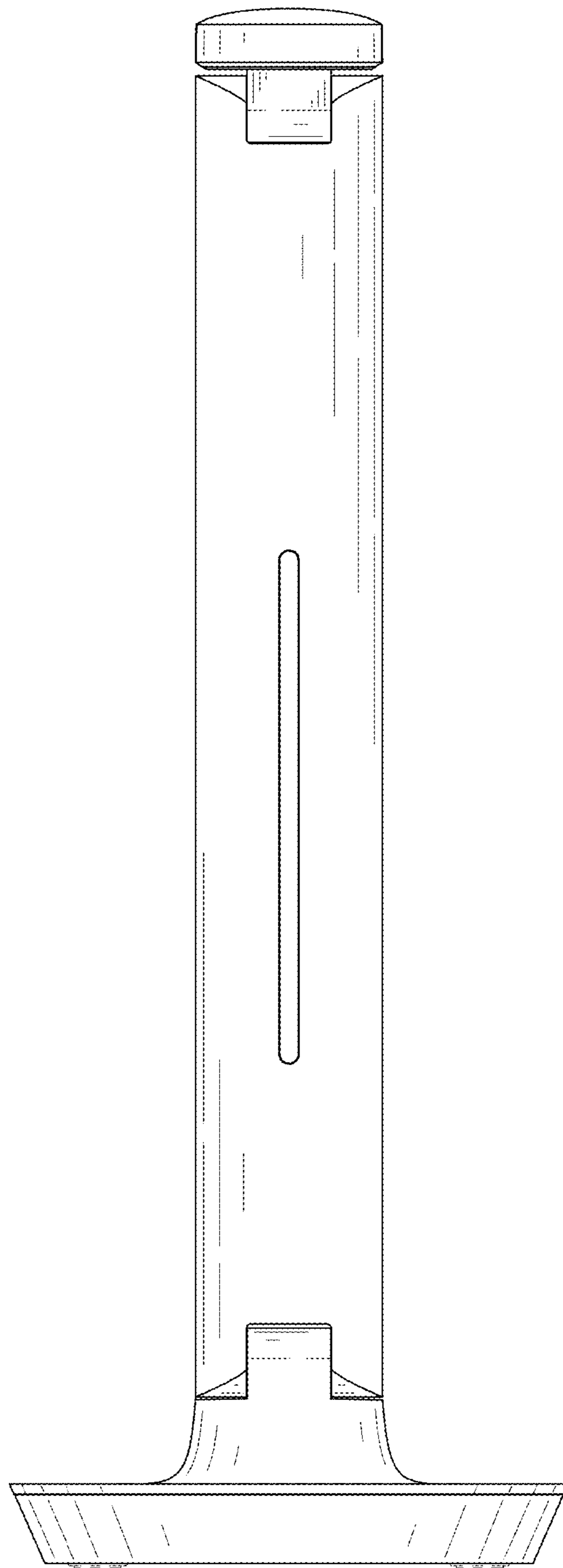


FIG. 3

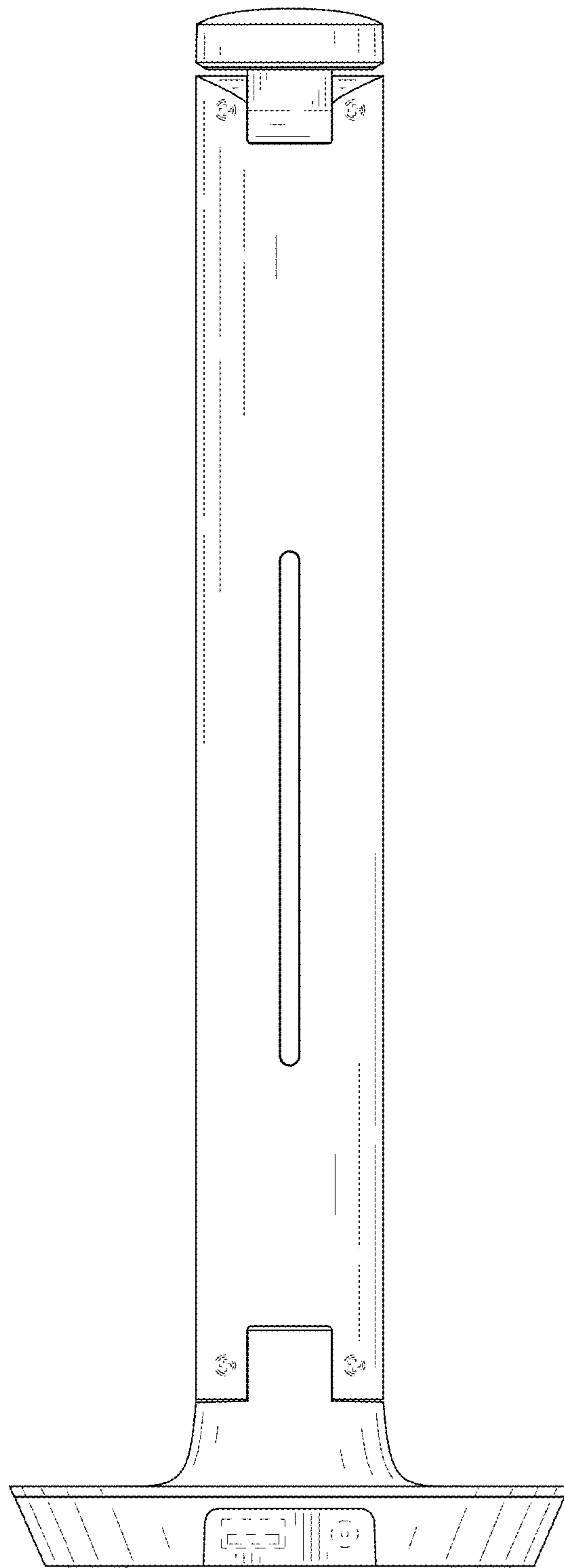


FIG. 4

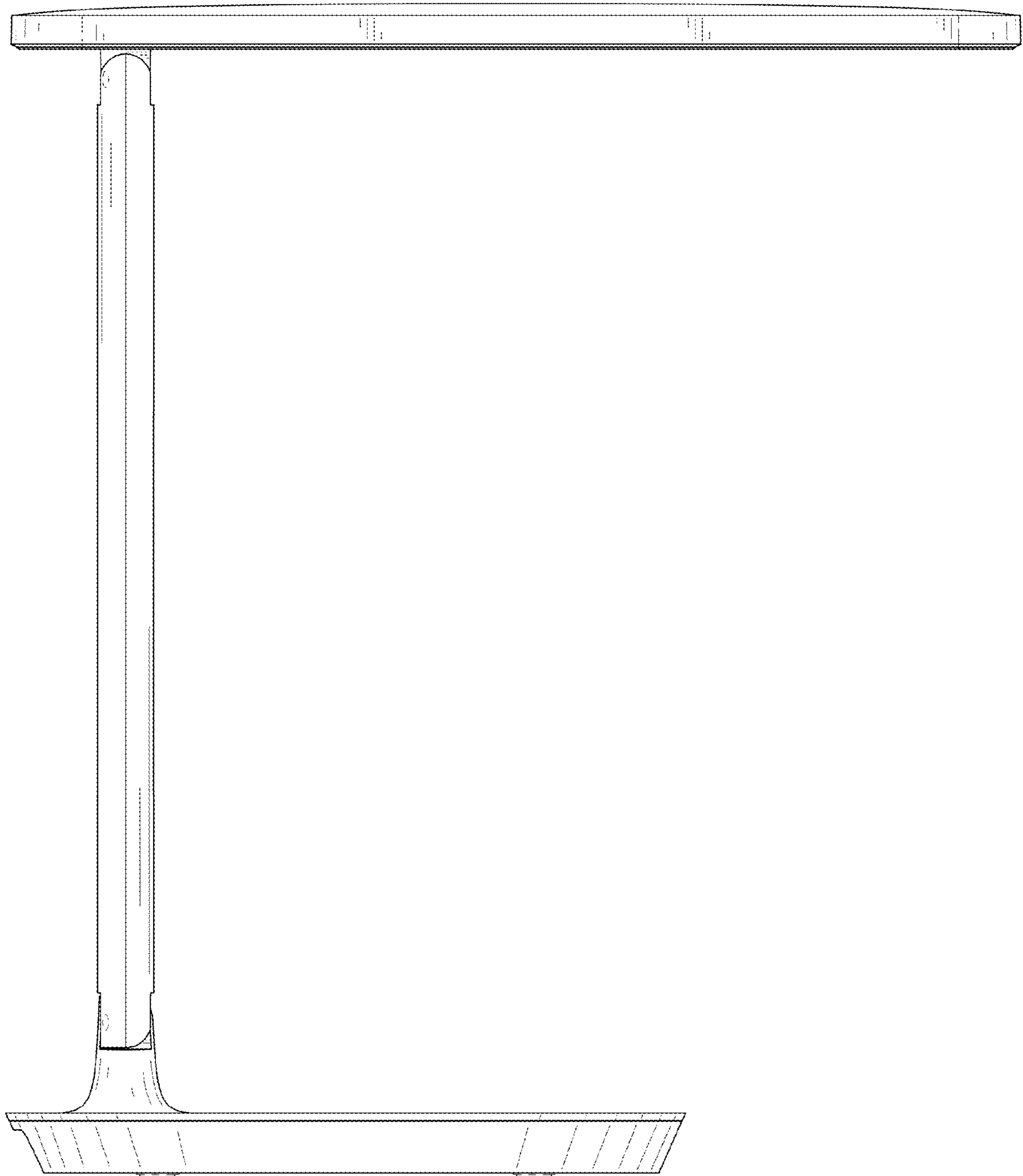


FIG. 5

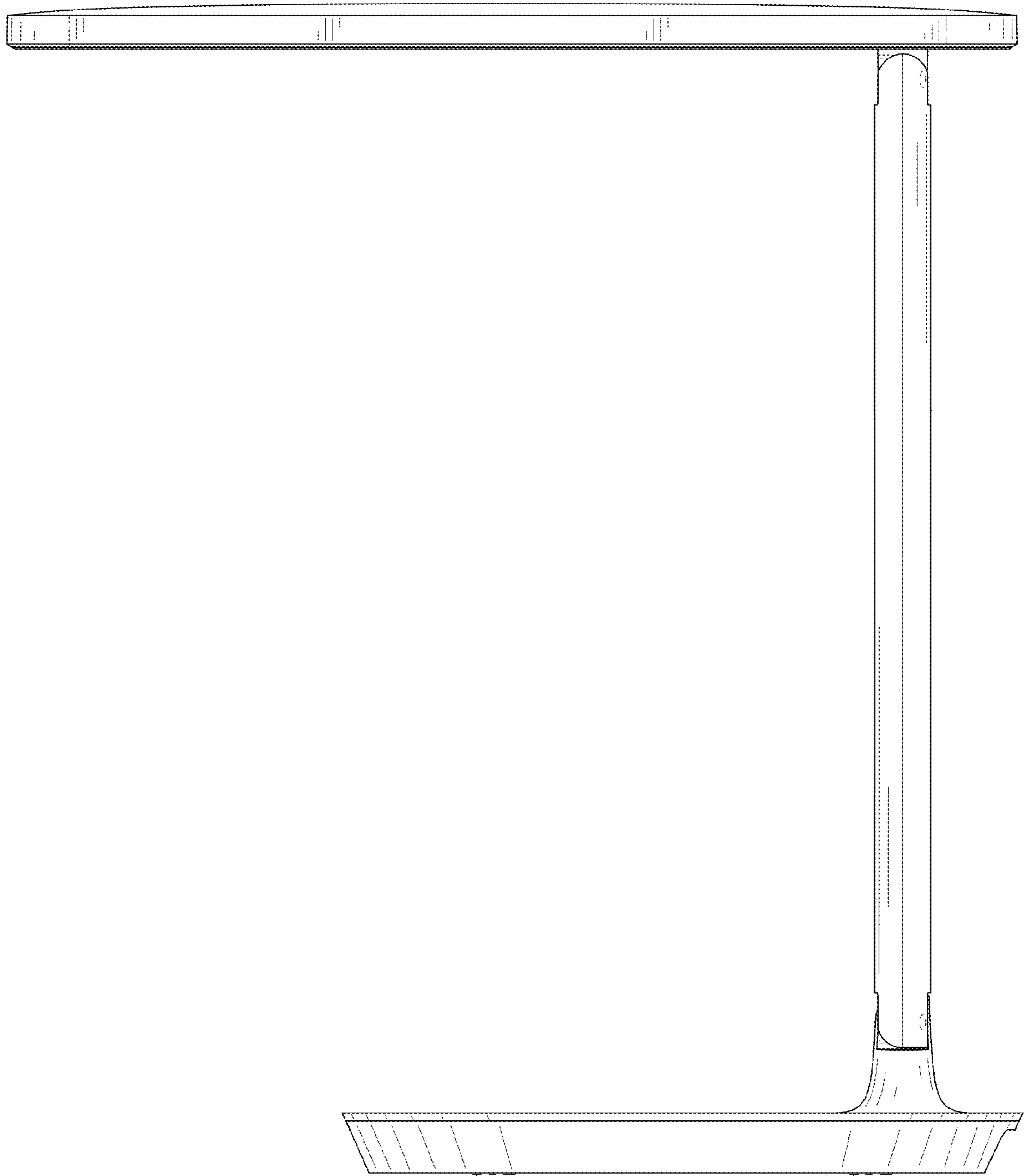


FIG. 6

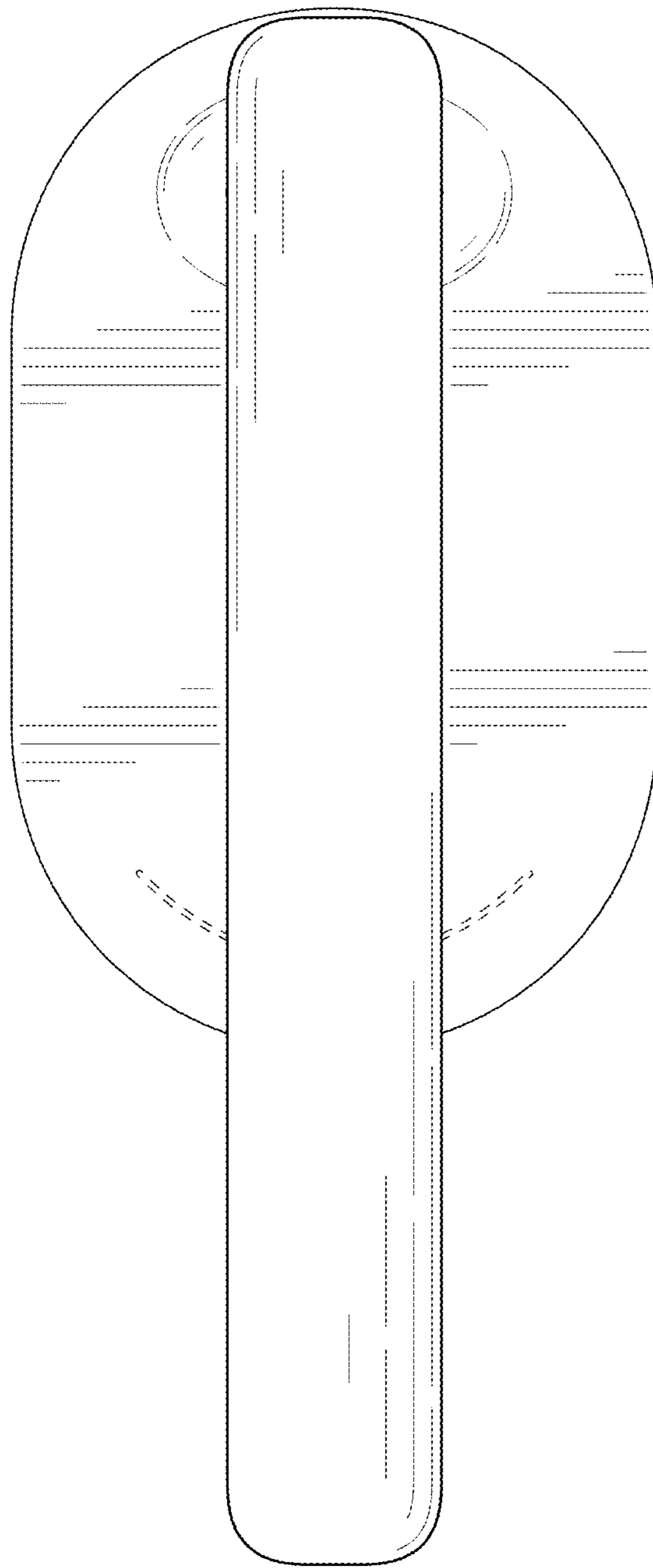


FIG. 7

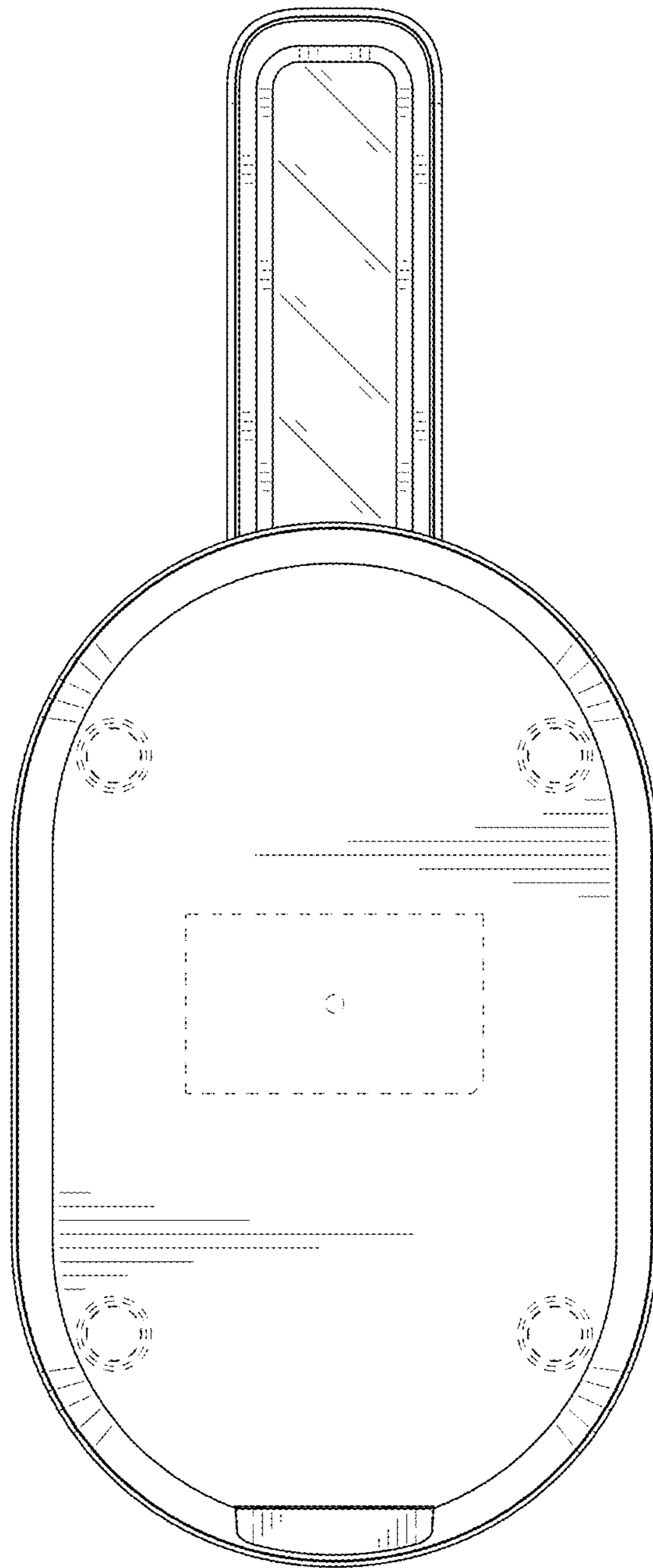


FIG. 8