



US00D963928S

(12) **United States Design Patent** (10) **Patent No.:** **US D963,928 S**
Lin (45) **Date of Patent:** **** Sep. 13, 2022**

(54) **NIGHT LIGHT**

(71) Applicant: **Xiamen Xiaoding Electronic Technology Co., Ltd., Xiamen (CN)**

(72) Inventor: **Shisheng Lin, Zhangzhou (CN)**

(**) Term: **15 Years**

(21) Appl. No.: **29/816,650**

(22) Filed: **Nov. 23, 2021**

(51) **LOC (13) Cl.** **26-05**

(52) **U.S. Cl.**
USPC **D26/104; D26/110**

(58) **Field of Classification Search**
USPC D26/24, 40, 93, 102, 104, 106, 110, 118,
D26/123, 124; D21/301, 443, 451, 452;
D10/104.2, 114.1, 114.2, 114.5, 114.6,
D10/114.8
CPC .. F21S 10/00; F21S 10/02; F21S 10/06; F21S
10/005; F21S 10/063; F21S 9/00; F21W
2121/008; F21W 2131/30; F21W
2131/406

See application file for complete search history.

(56) **References Cited**

U.S. PATENT DOCUMENTS

D777,367 S * 1/2017 Ma D26/104
D821,633 S * 6/2018 Yang D26/106
D840,582 S * 2/2019 Liu D26/104
D878,639 S 3/2020 Luo

D900,377 S * 10/2020 Chen D26/106
D908,932 S * 1/2021 Richardson D26/118
D915,661 S * 4/2021 Zhu D26/106
D917,092 S * 4/2021 Zhang D26/110
D918,464 S * 5/2021 Luo D26/106
D920,566 S * 5/2021 Wei D26/110
D922,665 S * 6/2021 Feng D26/110
D927,045 S * 8/2021 Li D26/110
D946,815 S * 3/2022 Zhou D26/110
D953,608 S * 5/2022 Zheng D26/104
D953,609 S * 5/2022 Zheng D26/104
D957,035 S * 7/2022 Tan D26/93

* cited by examiner

Primary Examiner — Wan Laymon
Assistant Examiner — Clint A Samuel

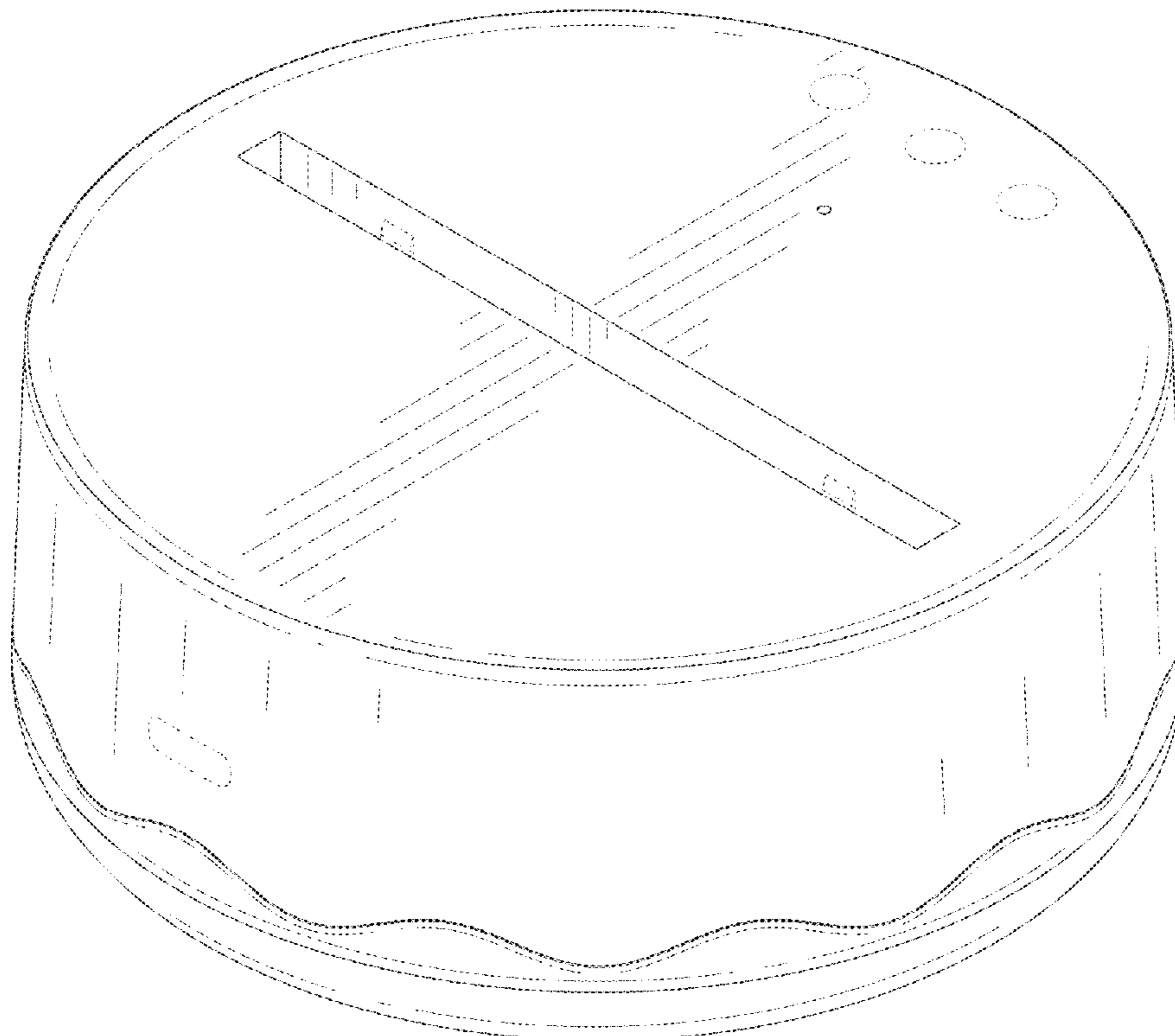
(57) **CLAIM**

The ornamental design for a night light, substantially as shown and described.

DESCRIPTION

FIG. 1 is a top, front and right side perspective view of a night light, showing my new design;
FIG. 2 is a bottom, rear and left side perspective view;
FIG. 3 is a front elevational view thereof;
FIG. 4 is a rear elevational view thereof;
FIG. 5 is a left side elevational view thereof;
FIG. 6 is a right side elevational view thereof;
FIG. 7 is a top plan view thereof; and,
FIG. 8 is a bottom plan view thereof.
The broken lines in the drawings illustrate the portions of the night light, which form no part of the claimed design.

1 Claim, 8 Drawing Sheets



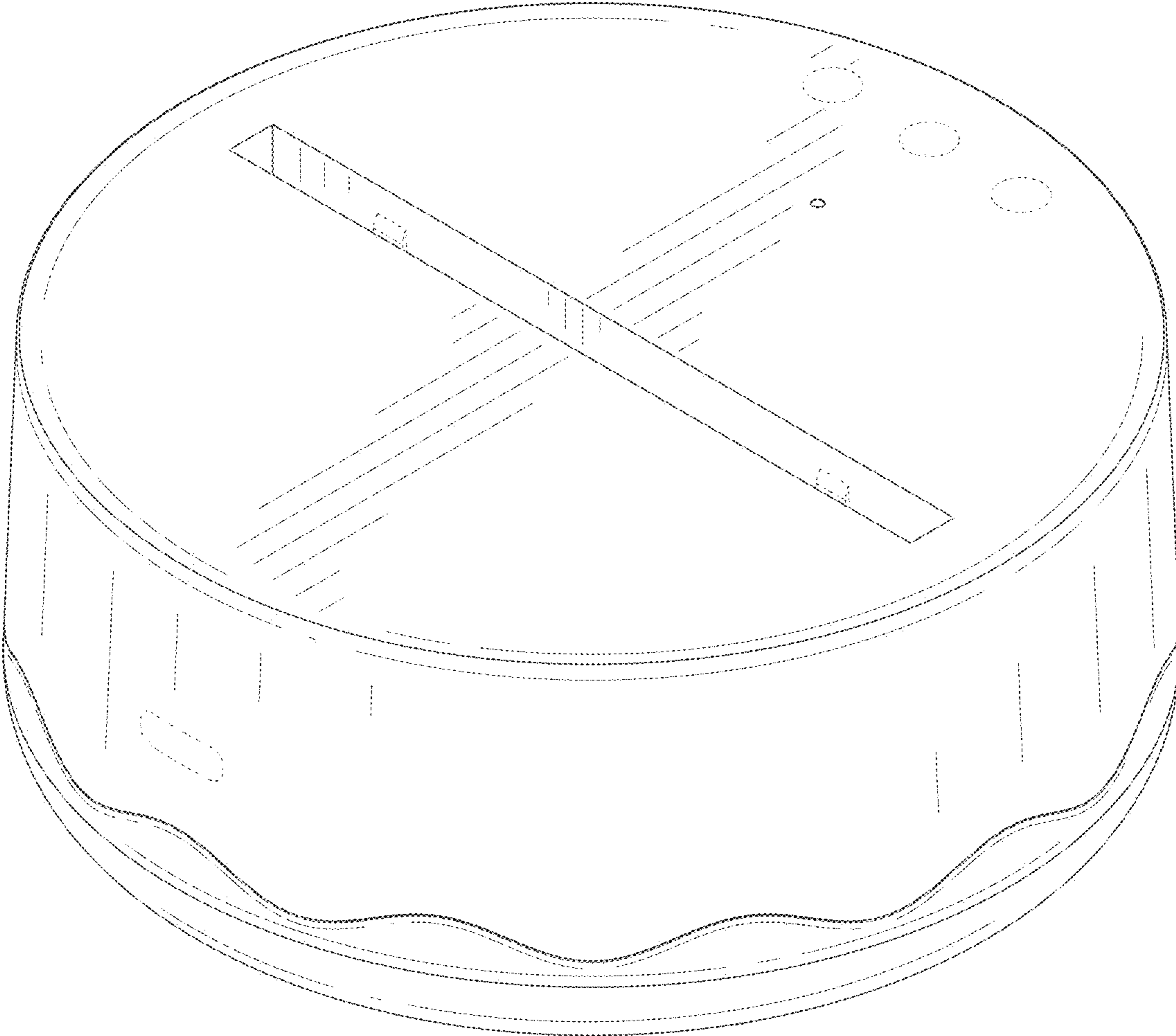


FIG. 1

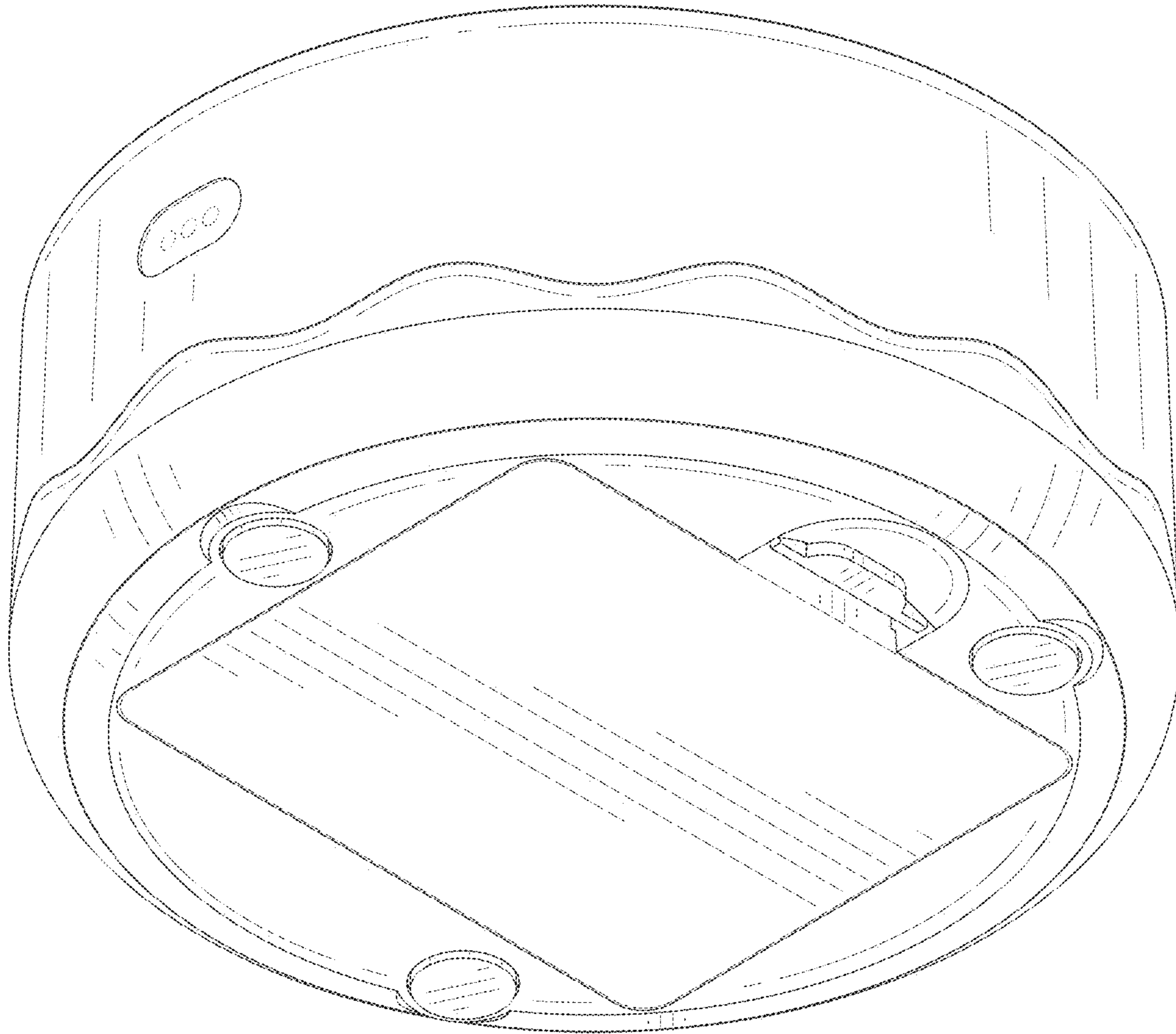


FIG.2

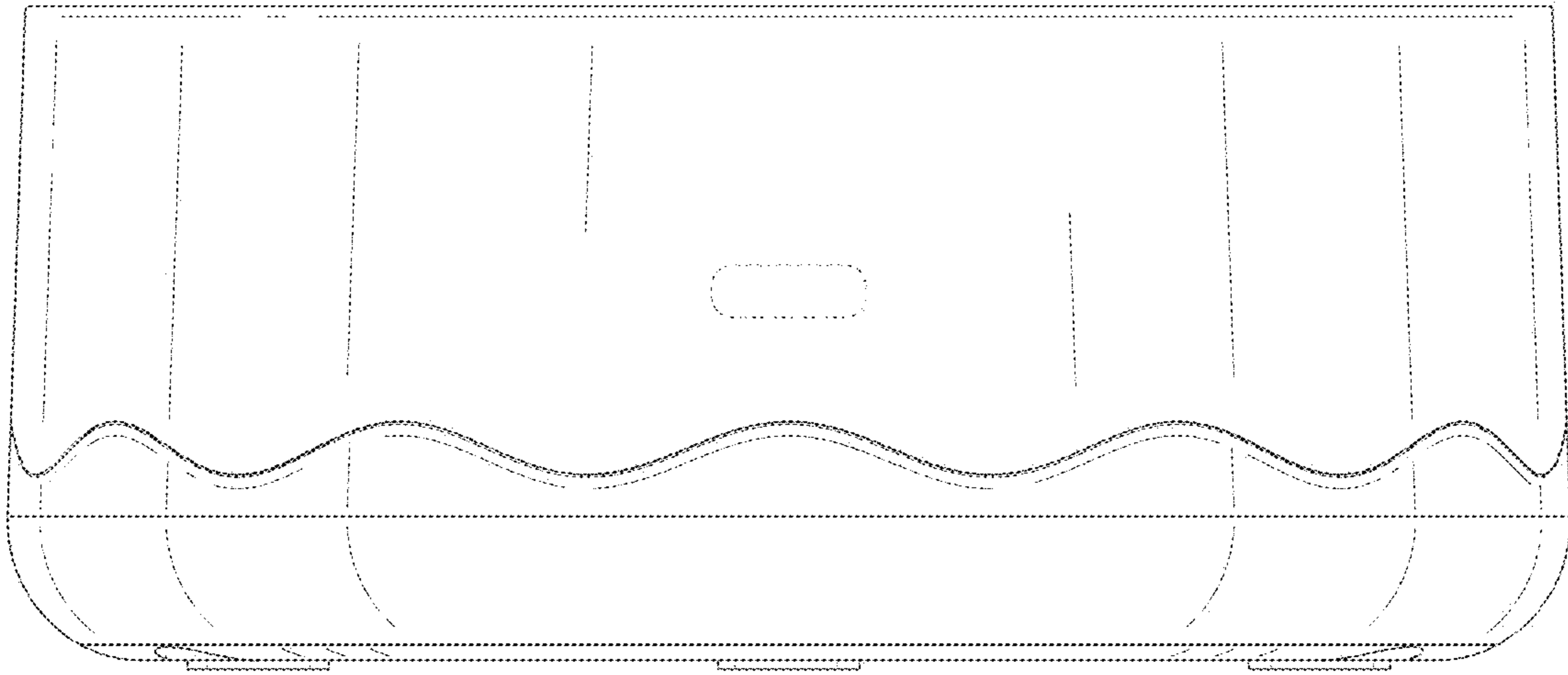


FIG.3

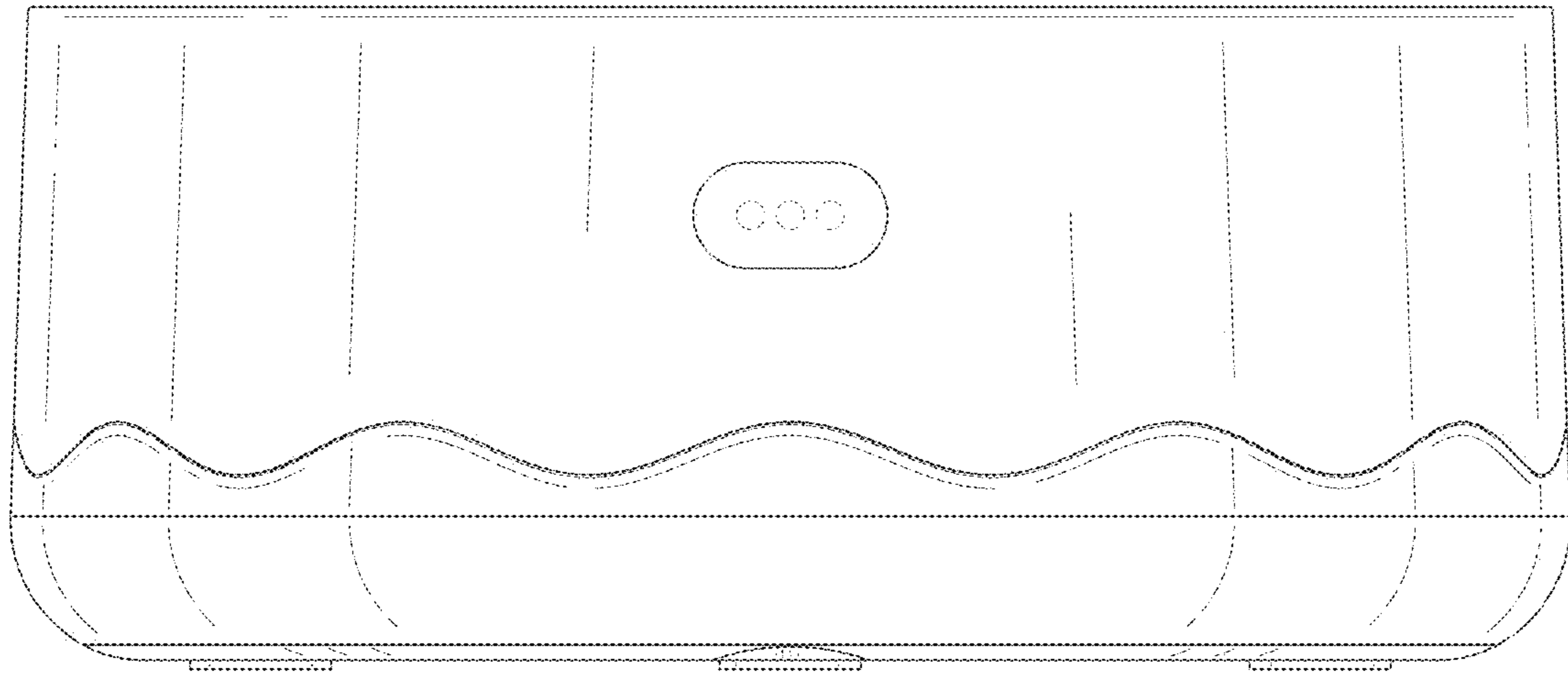


FIG. 4

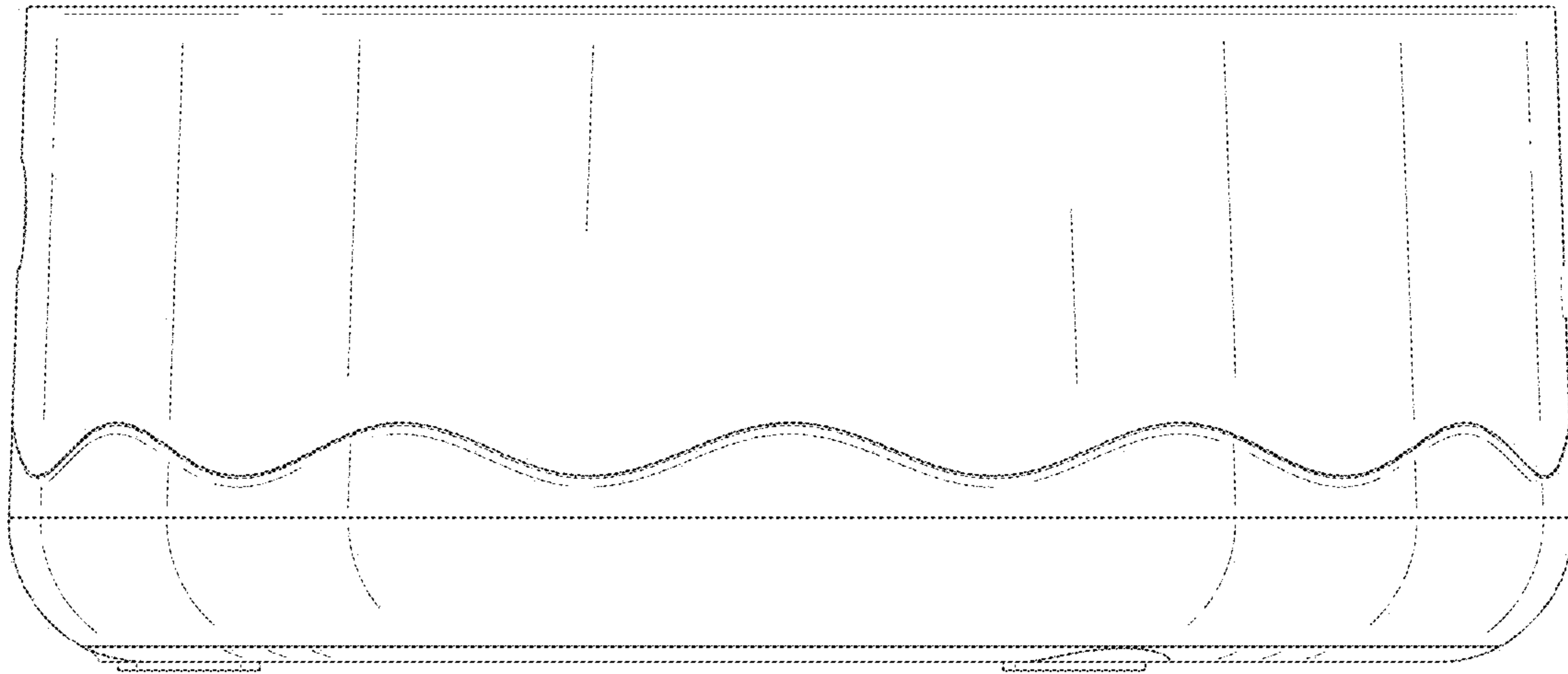


FIG.5

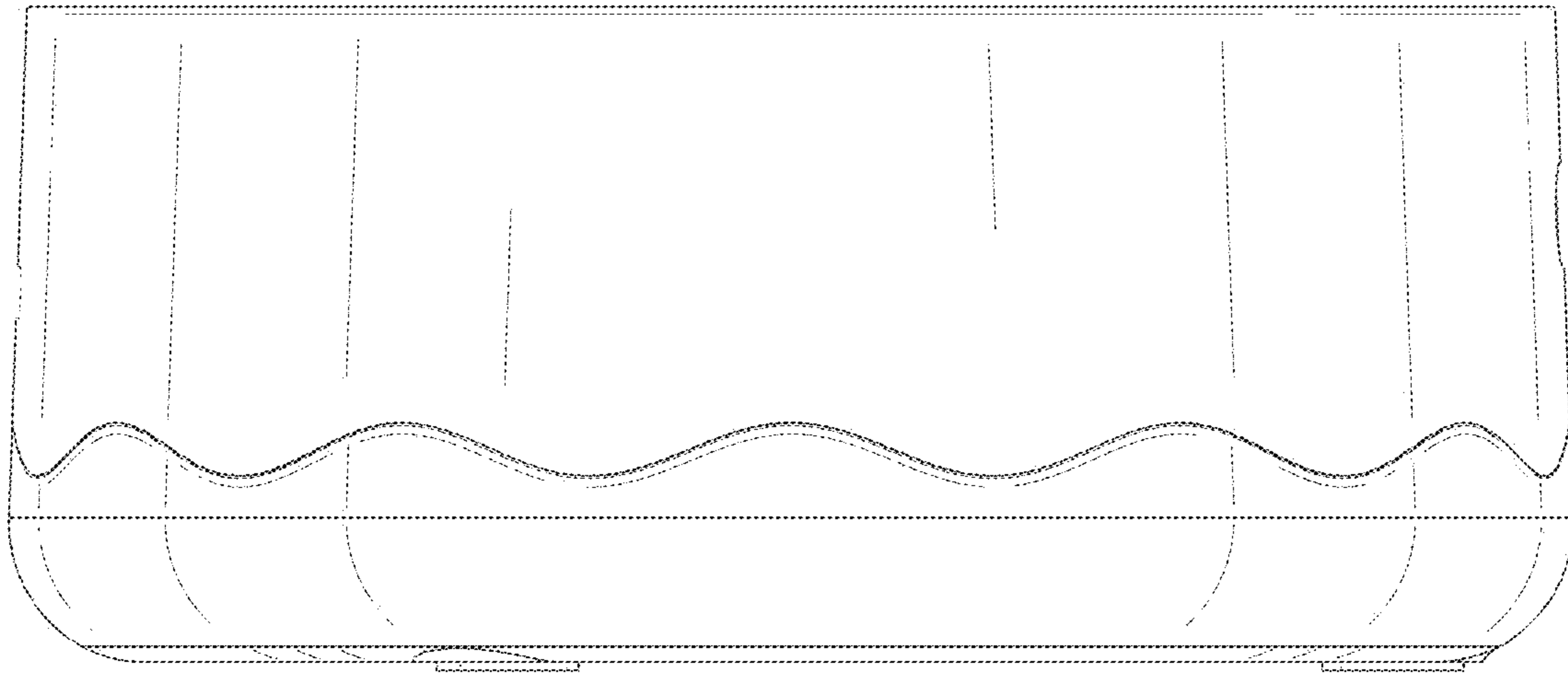


FIG.6

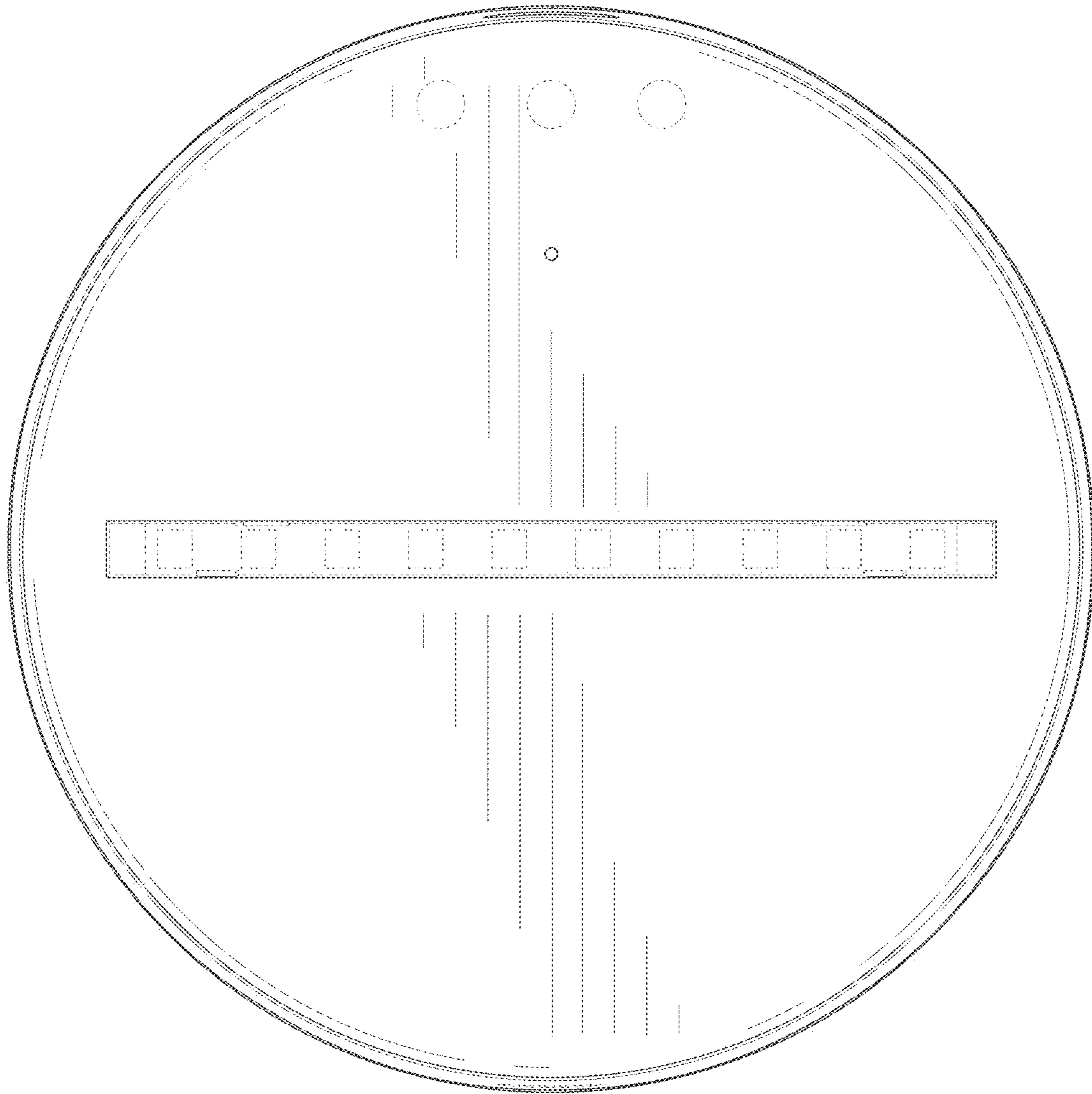


FIG. 7

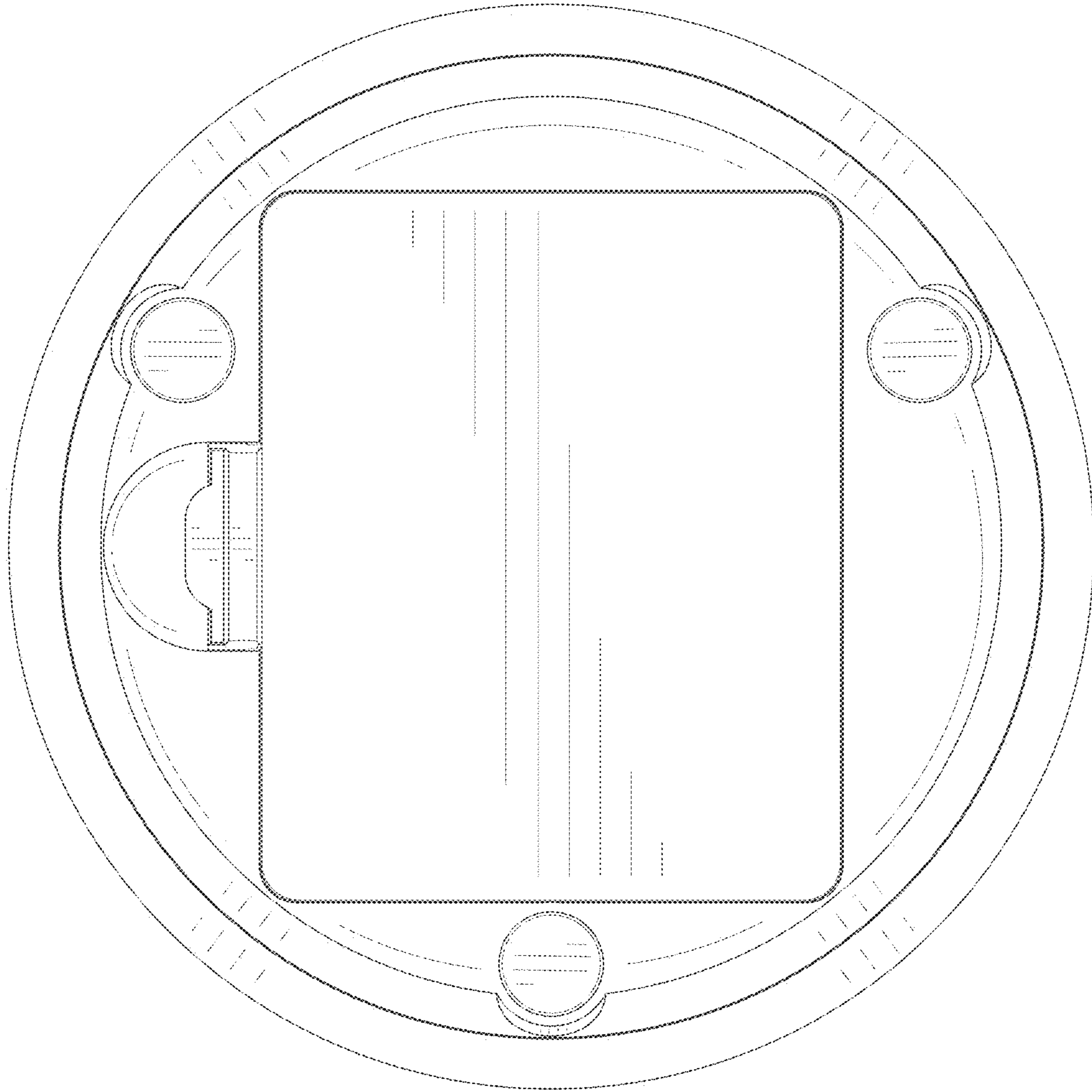


FIG. 8