



US00D963927S

(12) **United States Design Patent**
Kuang

(10) **Patent No.:** **US D963,927 S**

(45) **Date of Patent:** **** Sep. 13, 2022**

(54) **TABLE LAMP**

(71) Applicant: **Xinqiao Kuang**, Hu'nan (CN)

(72) Inventor: **Xinqiao Kuang**, Hu'nan (CN)

(**) Term: **15 Years**

(21) Appl. No.: **29/746,689**

(22) Filed: **Aug. 17, 2020**

(51) **LOC (13) Cl.** **26-05**

(52) **U.S. Cl.**
USPC **D26/93**; D26/106

(58) **Field of Classification Search**
USPC D26/24, 61, 63, 93, 102, 106, 108, 109,
D26/110, 111, 118
CPC F21S 6/00; F21S 6/002; F21S 6/003; F21S
6/006; F21S 10/00; F21V 1/00; F21V
21/02; F21V 21/06; F21W 2131/30
See application file for complete search history.

(56) **References Cited**

U.S. PATENT DOCUMENTS

D118,161 S	*	12/1939	Krueger	D26/109
D331,814 S	*	12/1992	Meek	D26/109
D337,392 S	*	7/1993	Lin	D26/106
D338,981 S	*	8/1993	Meek	D26/109
D339,878 S	*	9/1993	Yeh	D26/106
D346,672 S	*	5/1994	Chan	D26/109
D355,725 S	*	2/1995	Roberts, III	D26/109
D360,278 S	*	7/1995	Chen	D26/109
D370,071 S	*	5/1996	Sonneman	D26/106
D373,843 S	*	9/1996	Sonneman	D26/106
D609,392 S	*	2/2010	Salatto-Rose	D26/106
D642,322 S	*	7/2011	Eusterbrock	D26/106
D642,323 S	*	7/2011	Eusterbrock	D26/106
D745,206 S	*	12/2015	Clark	D26/104

(Continued)

OTHER PUBLICATIONS

Franklin Hobie Industrial Table Lamp with Nightlight, Feb. 13, 2017, Amazon.com, site visited Dec. 1, 2021, url: <https://www.amazon.com/dp/B01LQI6L84?th=1> (Year: 2017).*

(Continued)

Primary Examiner — T Chase Nelson

Assistant Examiner — Rachel Wolfe

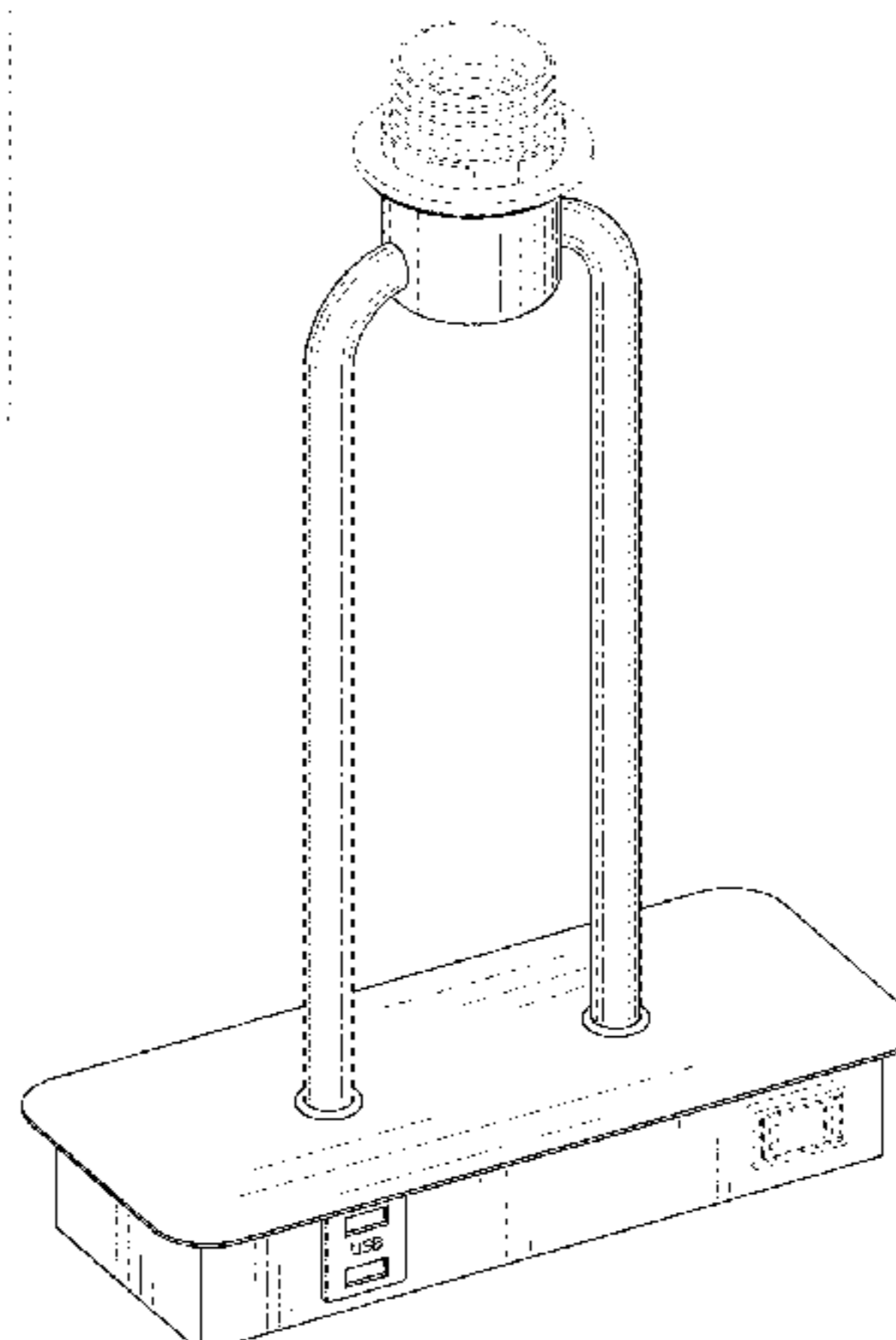
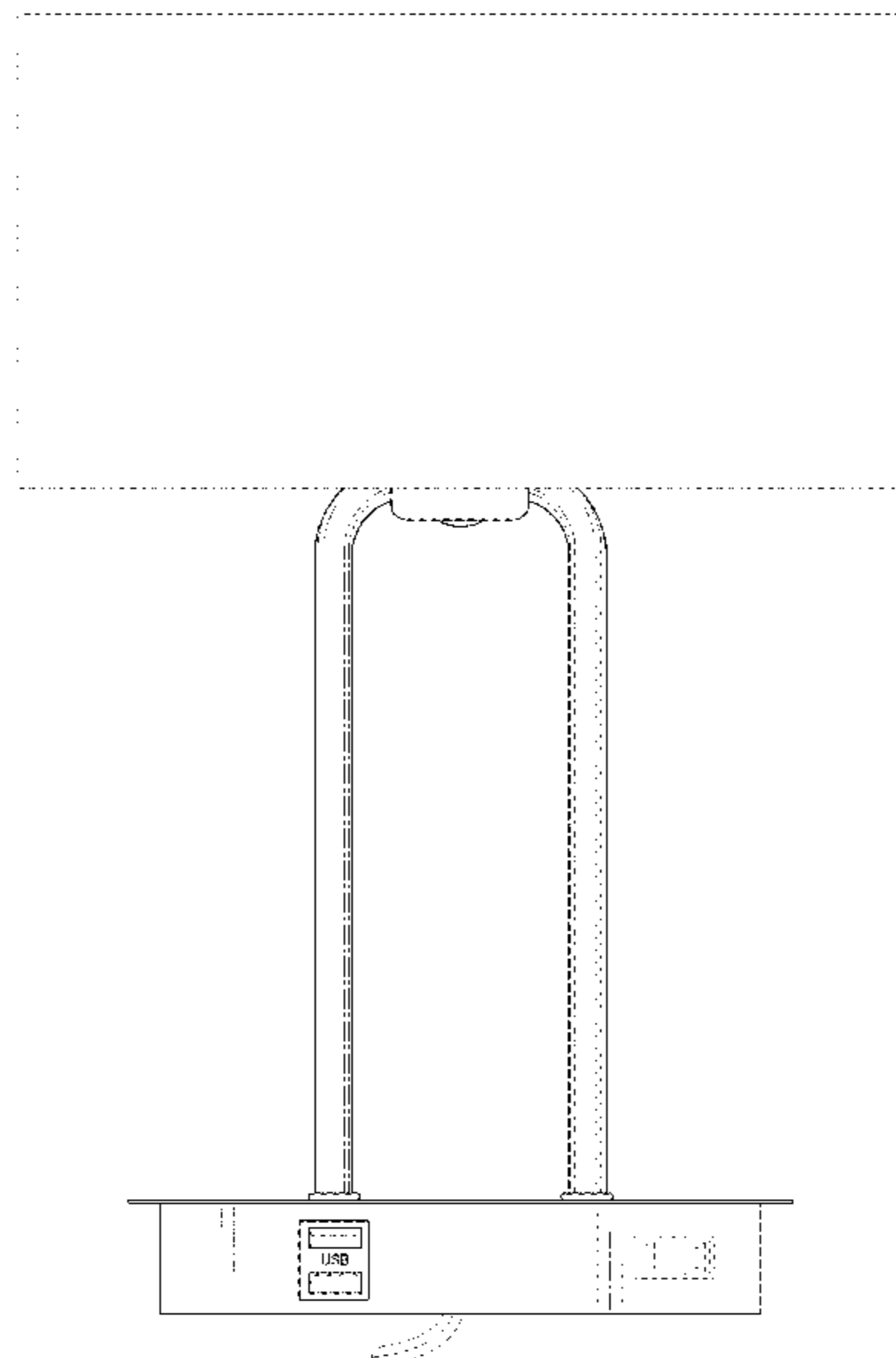
(57) **CLAIM**

The ornamental design for a table lamp, as shown and described.

DESCRIPTION

FIG. 1 is a perspective view of a table lamp showing my new design;
FIG. 2 is a front elevational view of the table lamp in FIG. 1;
FIG. 3 is a rear elevational view of the table lamp in FIG. 1;
FIG. 4 is a left side elevational view of the table lamp in FIG. 1;
FIG. 5 is a right side elevational view of the table lamp in FIG. 1;
FIG. 6 is a top plan view of the table lamp in FIG. 1;
FIG. 7 is a bottom view of the table lamp in FIG. 1;
FIG. 8 is a perspective view of the table lamp as shown in FIG. 1 with the shade removed for ease of illustration;
FIG. 9 is a front elevational view of the table lamp in FIG. 8;
FIG. 10 is a rear elevational view of the table lamp in FIG. 8;
FIG. 11 is a left side elevational view of the table lamp in FIG. 8;
FIG. 12 is a right side elevational view of the table lamp in FIG. 8;
FIG. 13 is a top plan view of the table lamp in FIG. 8; and,
FIG. 14 is a bottom view of the table lamp in FIG. 8.
The broken lines in the drawings depict portions of the table lamp that form no part of the claimed design.

1 Claim, 14 Drawing Sheets



(56)

References Cited

U.S. PATENT DOCUMENTS

D749,772 S * 2/2016 Kern D26/106
D772,472 S * 11/2016 Velez F21V 33/0056
D26/106
D815,773 S * 4/2018 Ellis D26/106
D819,872 S * 6/2018 Zhou D26/104
D898,270 S * 10/2020 Shao D26/101
D914,956 S * 3/2021 Chen D26/107
D925,098 S * 7/2021 Luo D26/93
D930,887 S * 9/2021 Xie D26/107
2018/0356078 A1* 12/2018 Rolf F21V 33/0056

OTHER PUBLICATIONS

Beslowe 3-Way Dimmable Touch Control Table Lamp, Mar. 30, 2020, Amazon.com, site visited Dec. 1, 2021, url: <https://www.amazon.com/dp/B086L4HVFQ?th=1> (Mar. 2020).*

Bosceos Set of 2 Touch Control 3-Way Dimmable Table Lamp, Jul. 10, 2020, Amazon.com, site visited Dec. 1, 2021, url: <https://www.amazon.com/dp/B08CR5YTV5> (Jul. 2020).*

Brightever Touch Bedside Table Lamps, Jun. 10, 2020, Amazon.com, site visited Dec. 1, 2021, url: <https://www.amazon.com/dp/B089YSYXKW> (Year: 2020).*

* cited by examiner

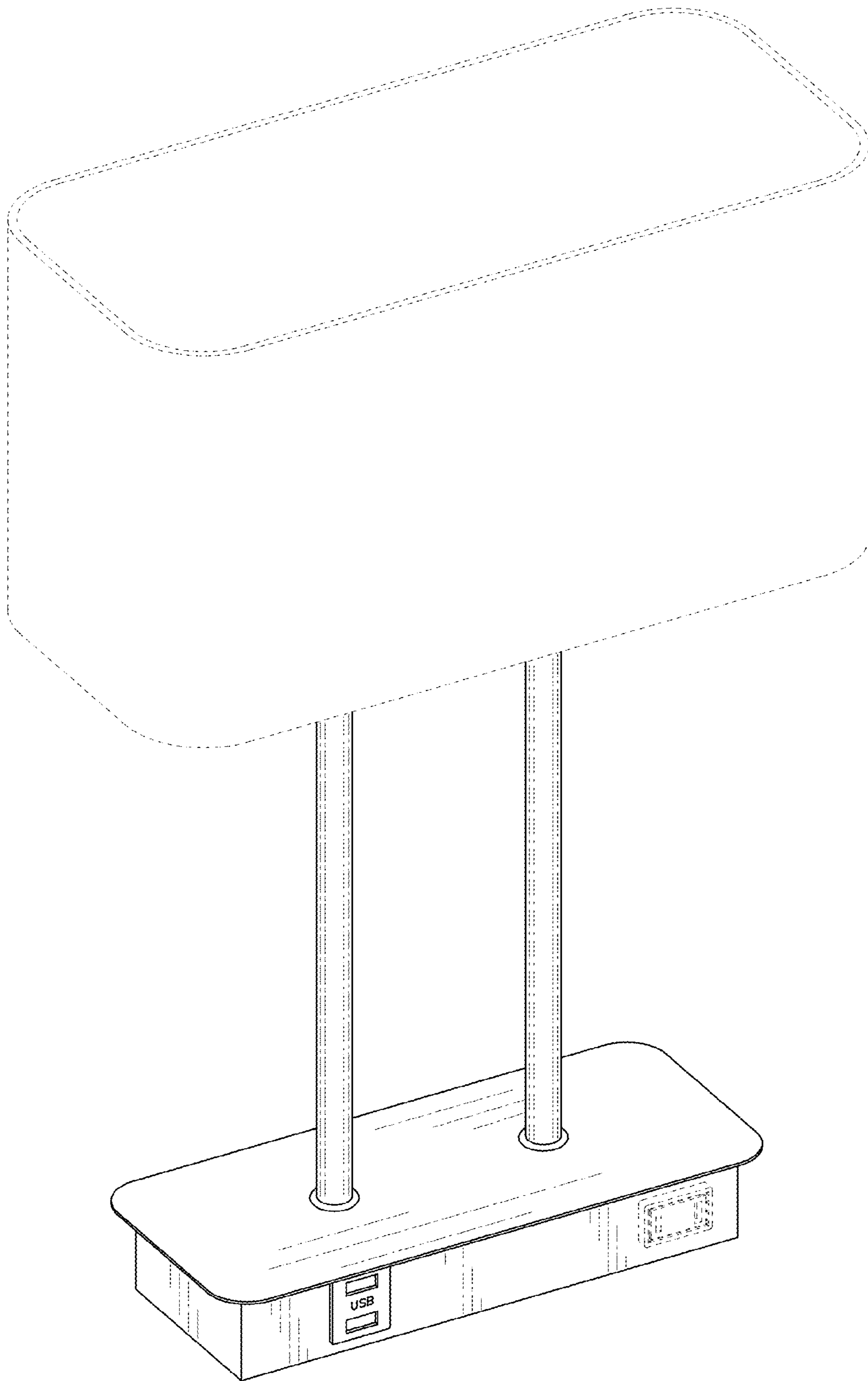


FIG. 1

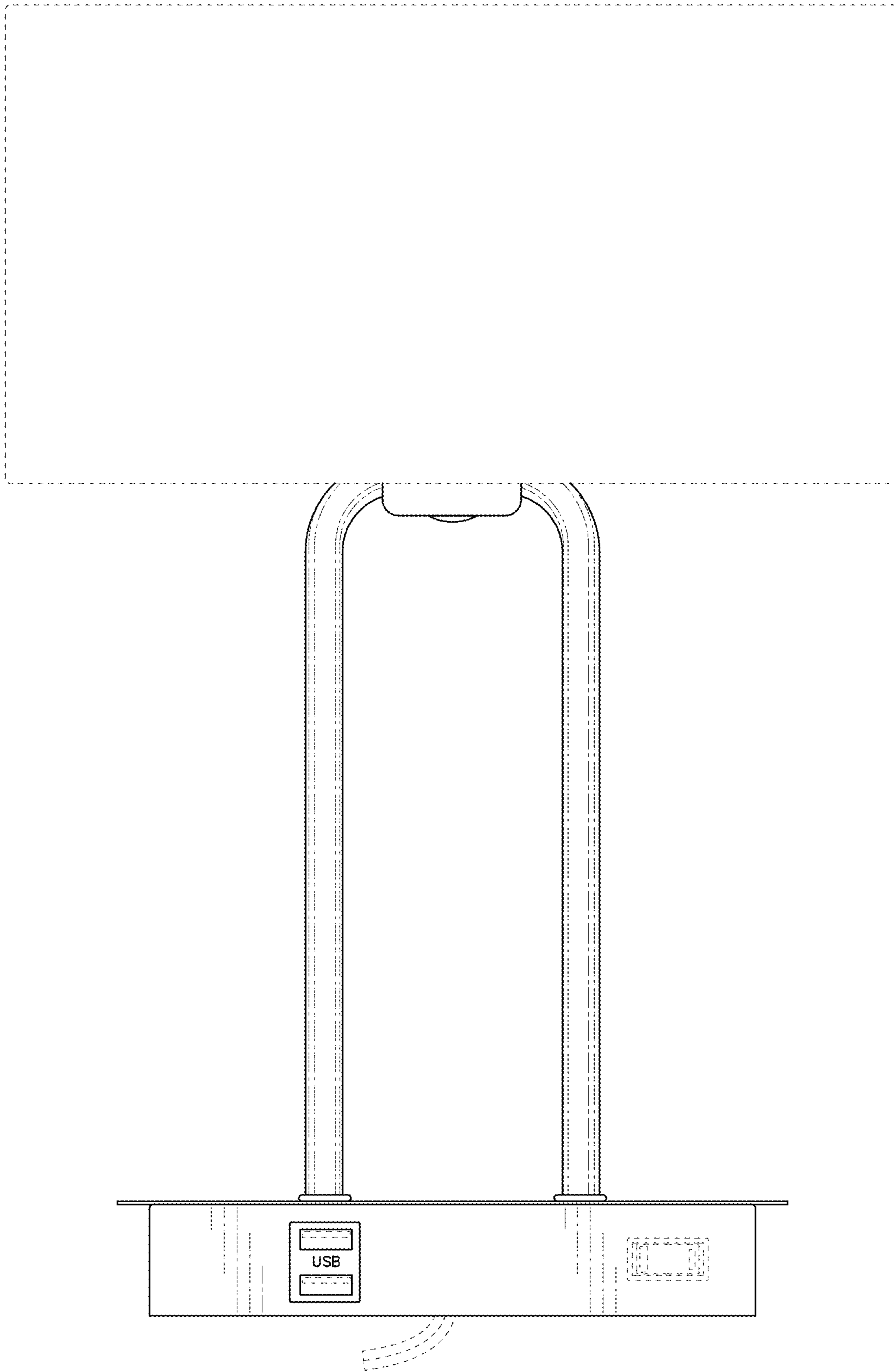


FIG. 2

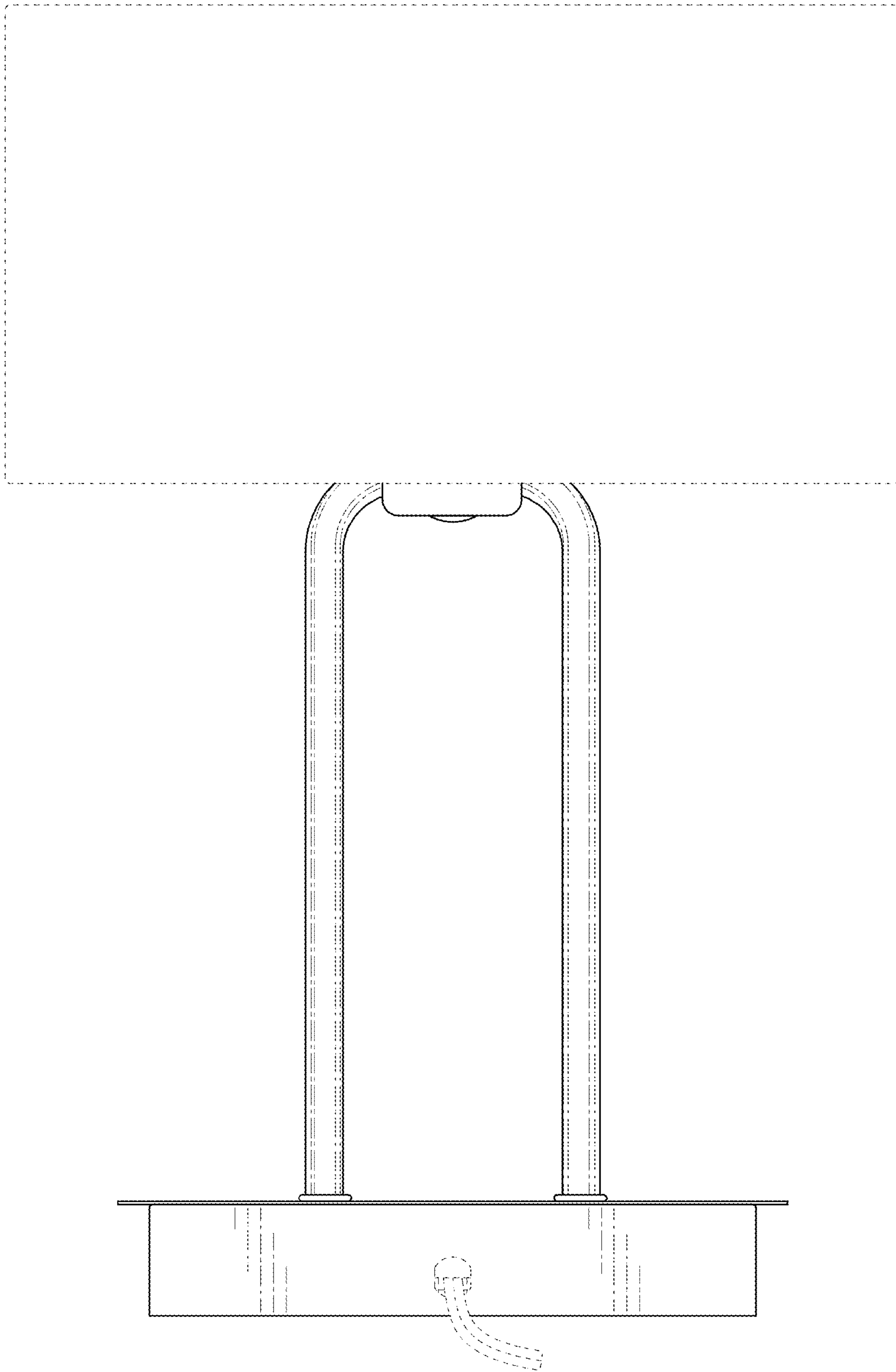


FIG. 3

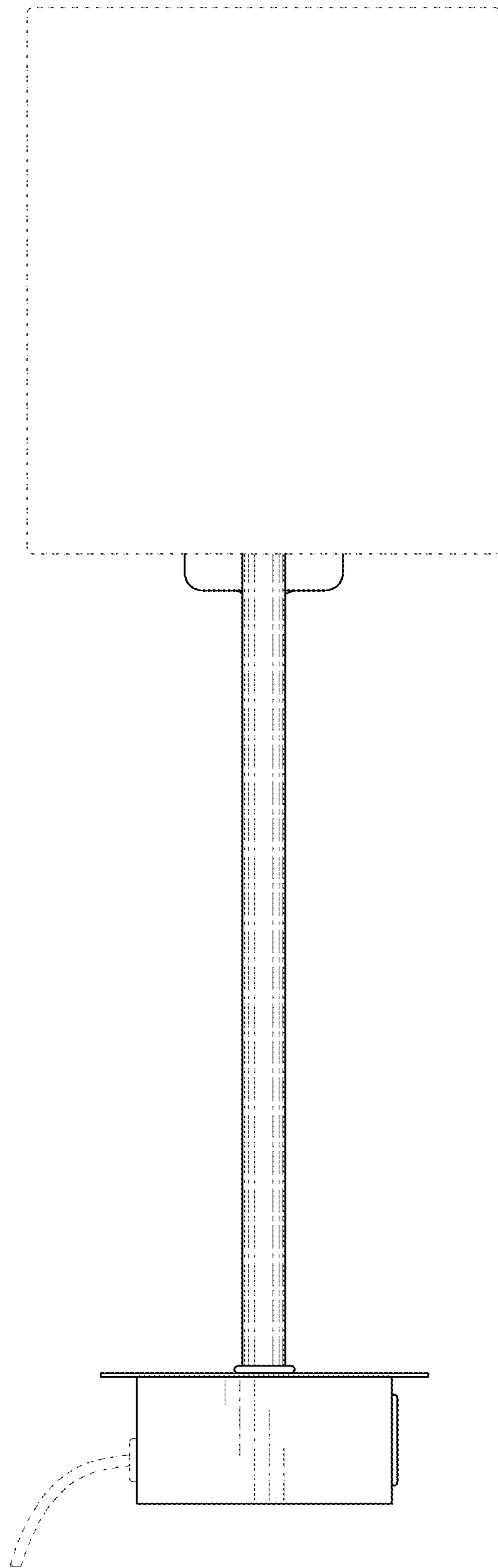


FIG. 4

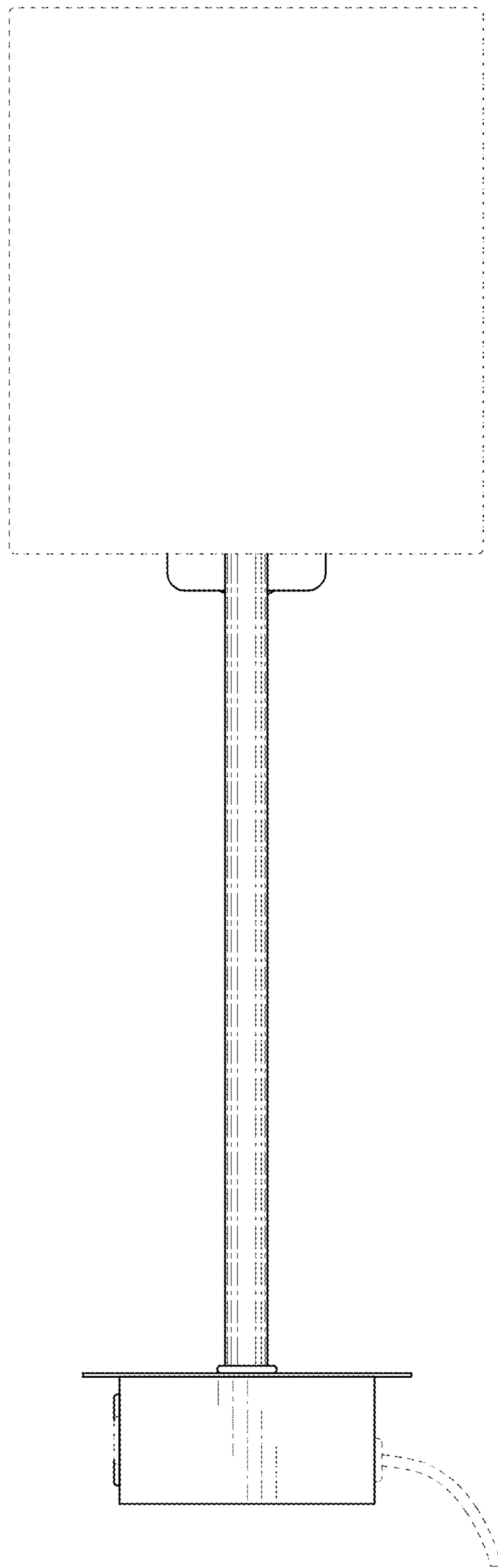


FIG. 5

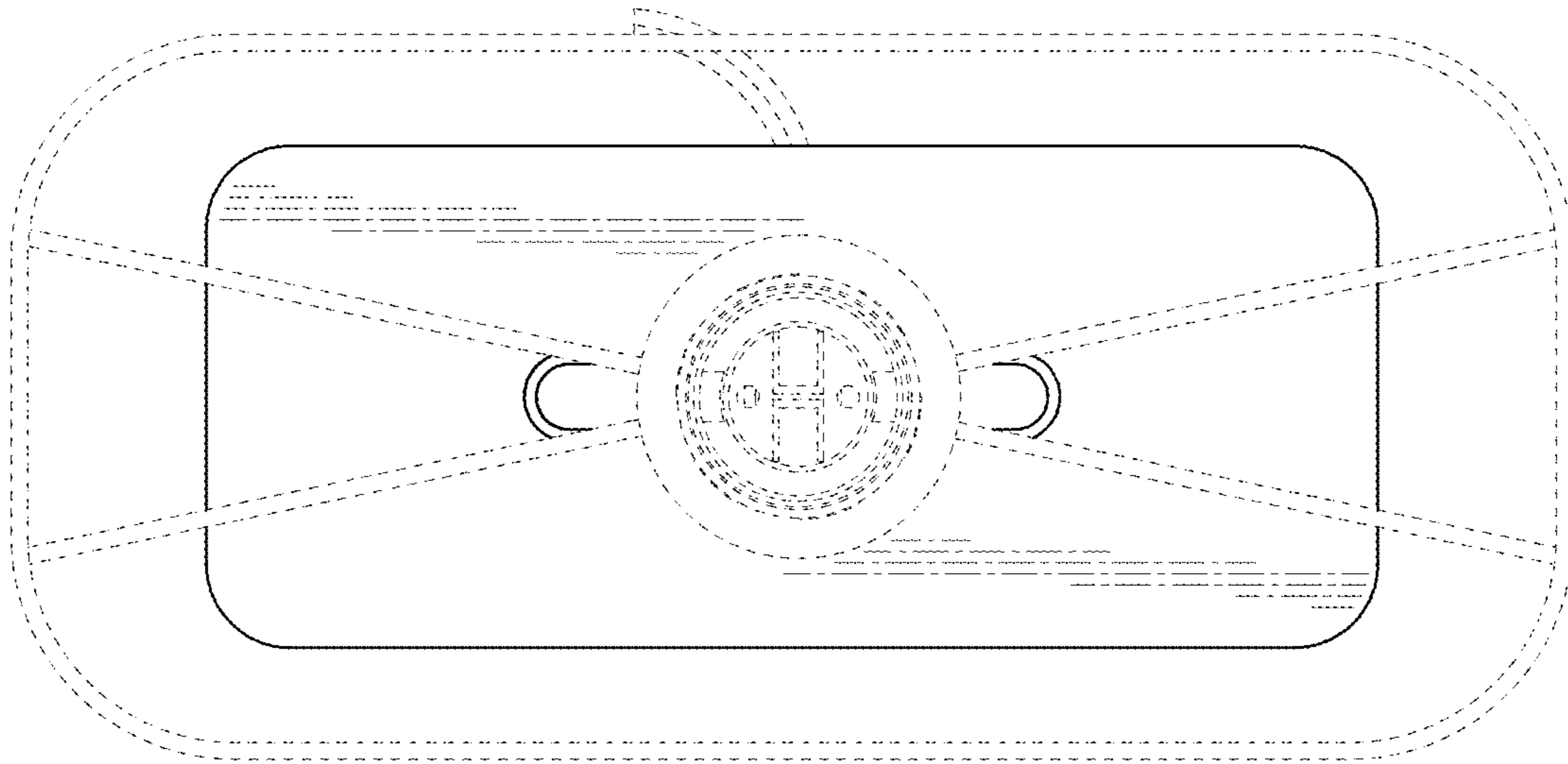


FIG. 6

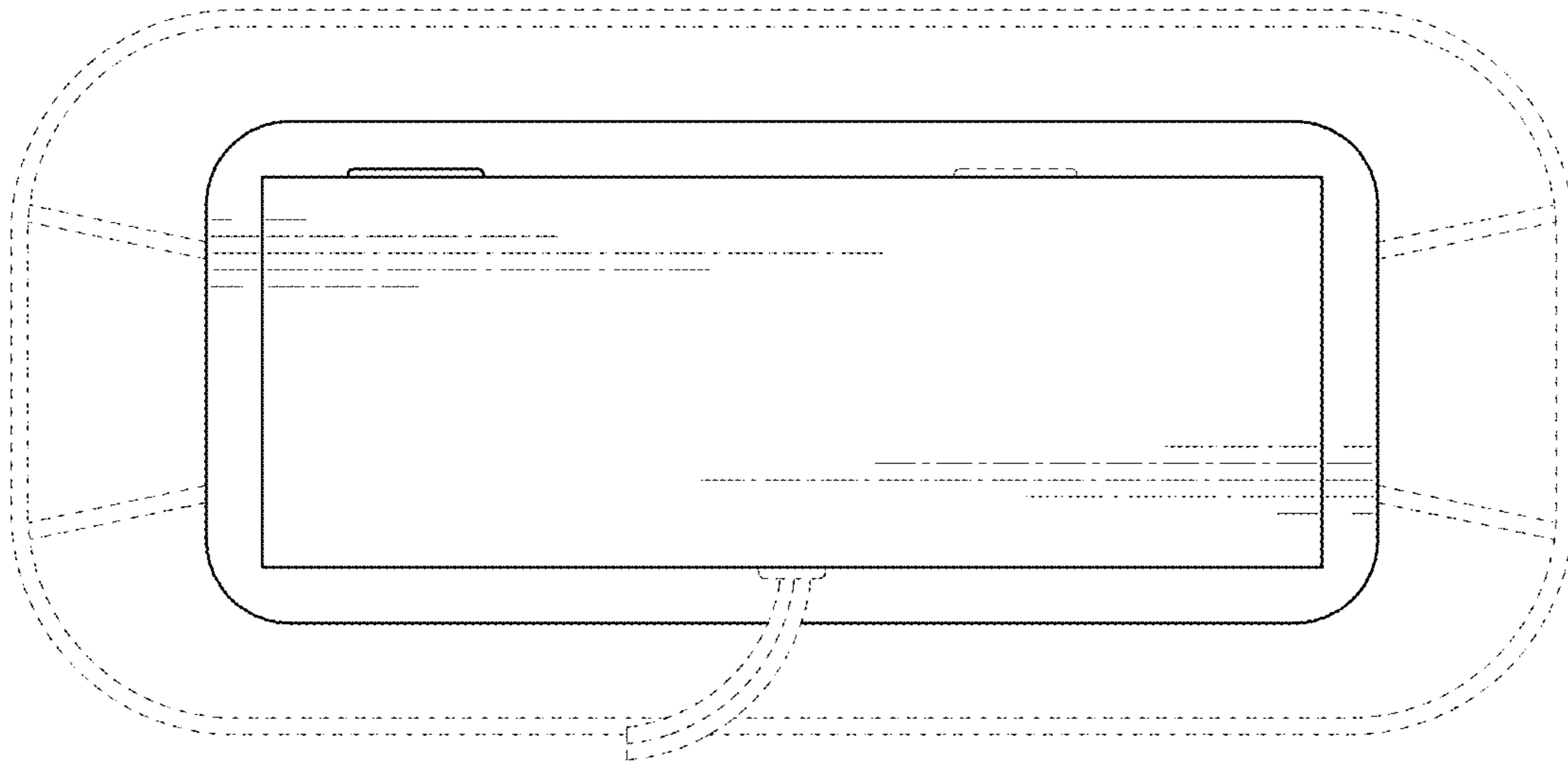


FIG. 7

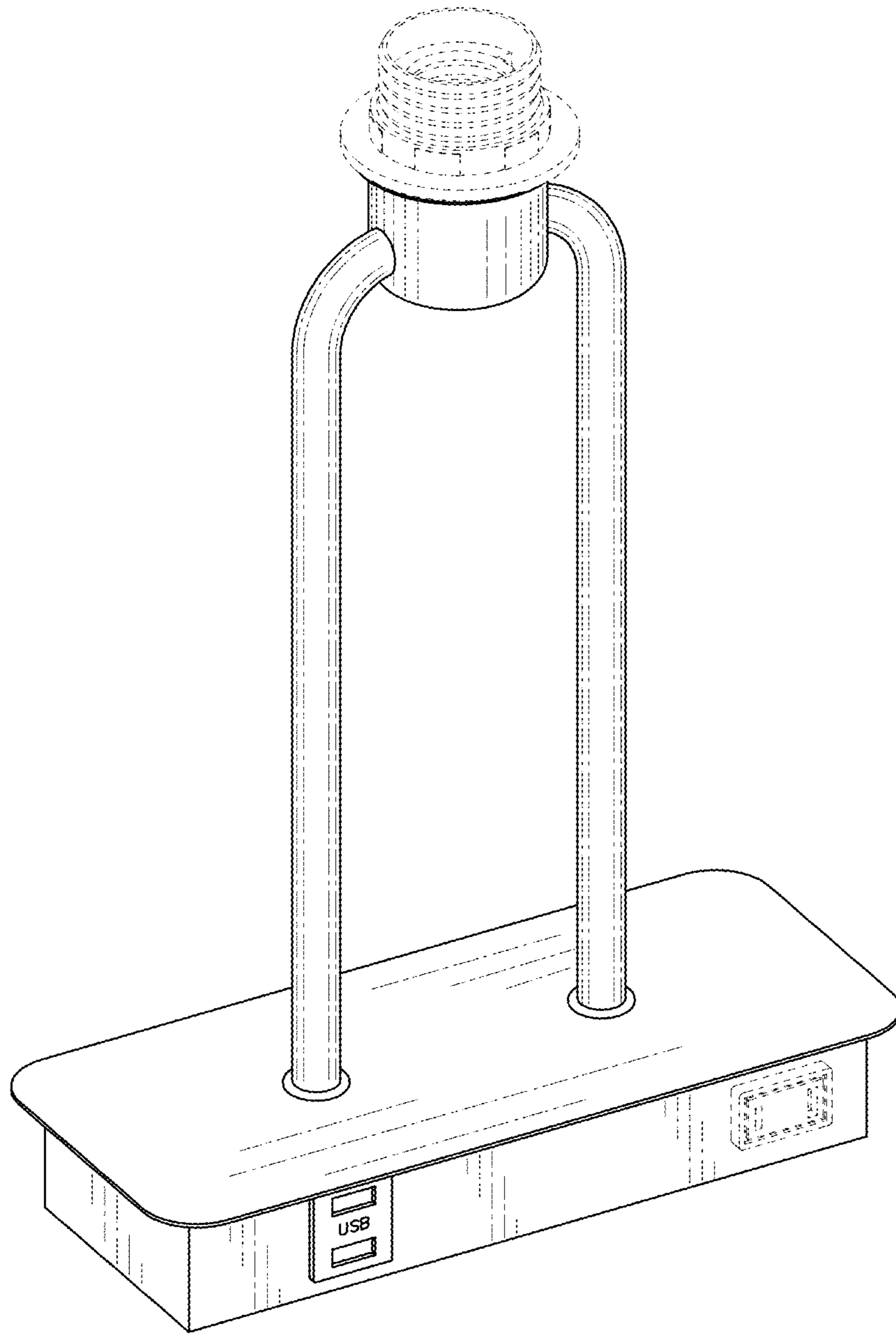


FIG. 8

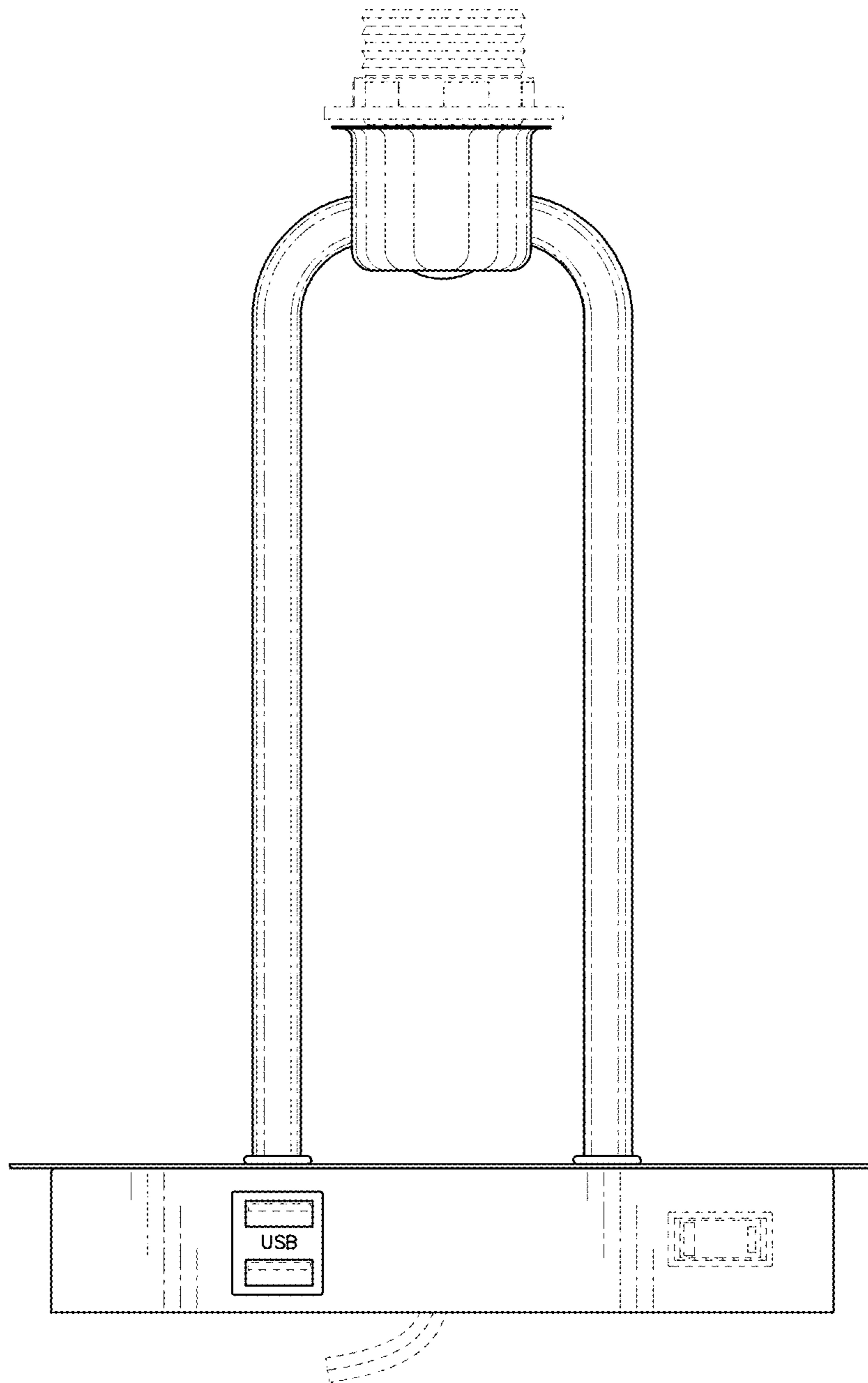


FIG. 9

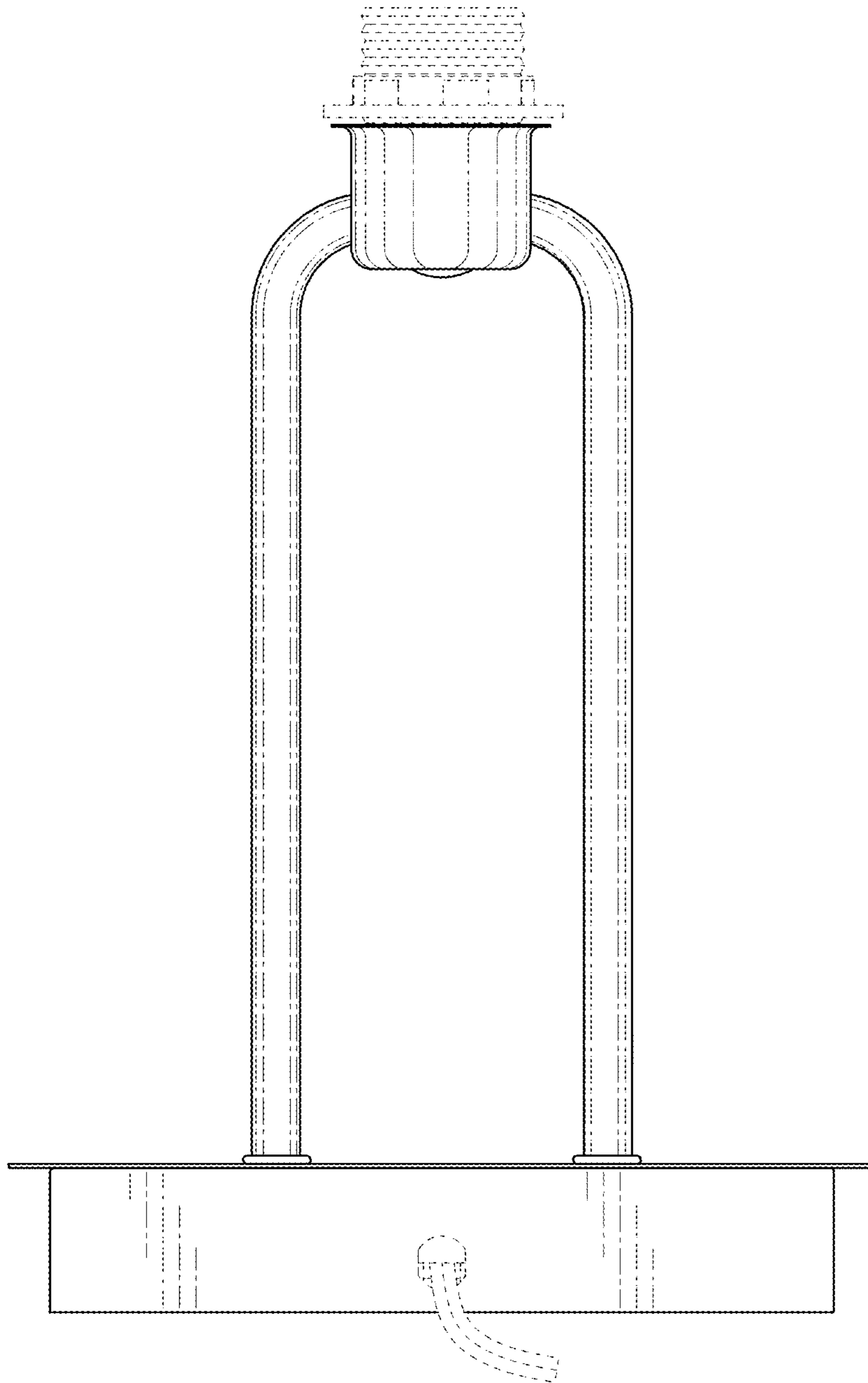


FIG. 10

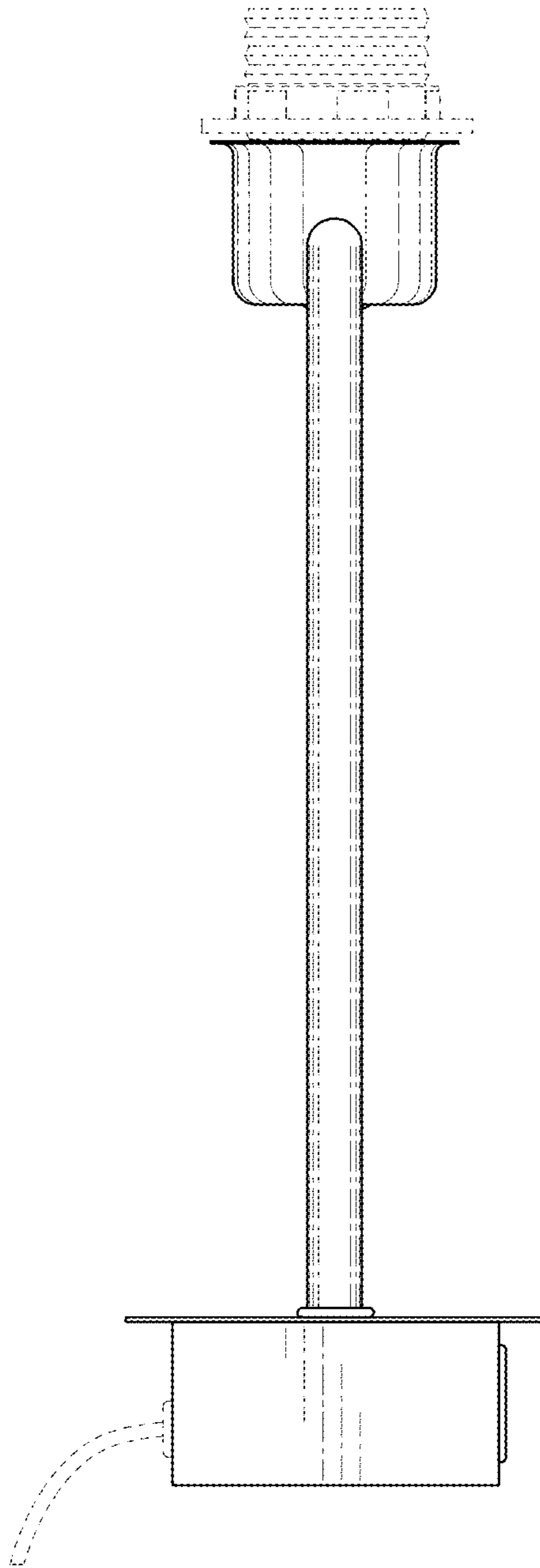


FIG. 11

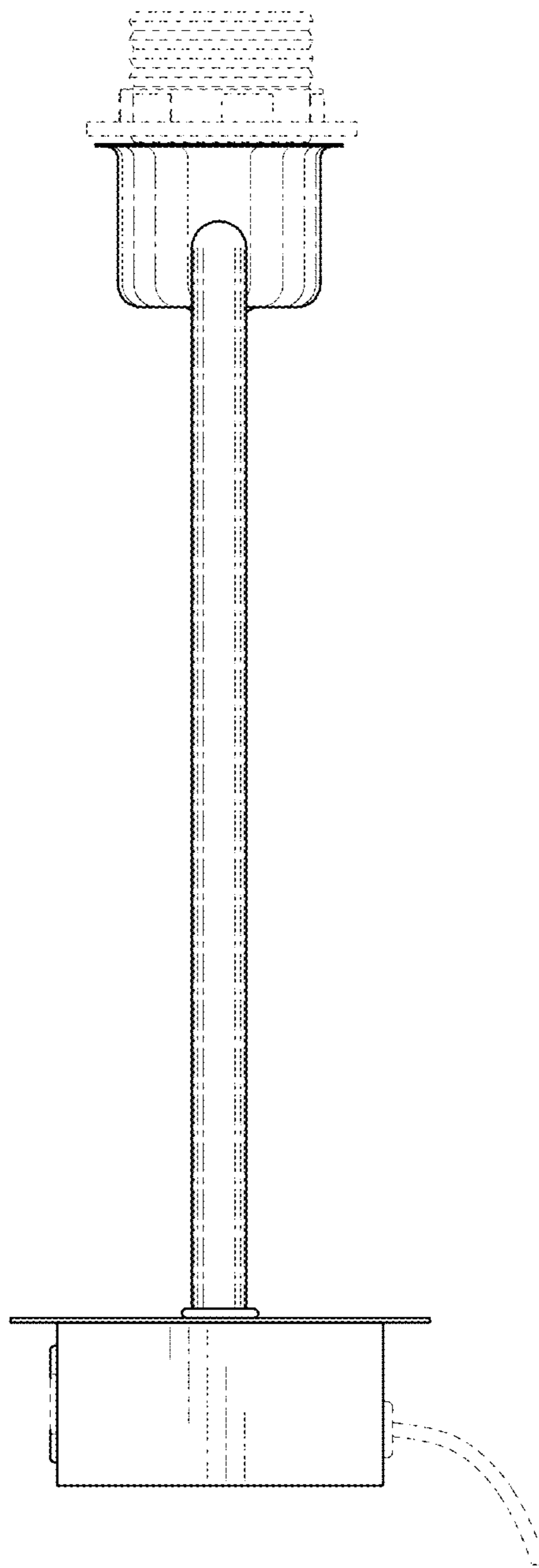


FIG. 12

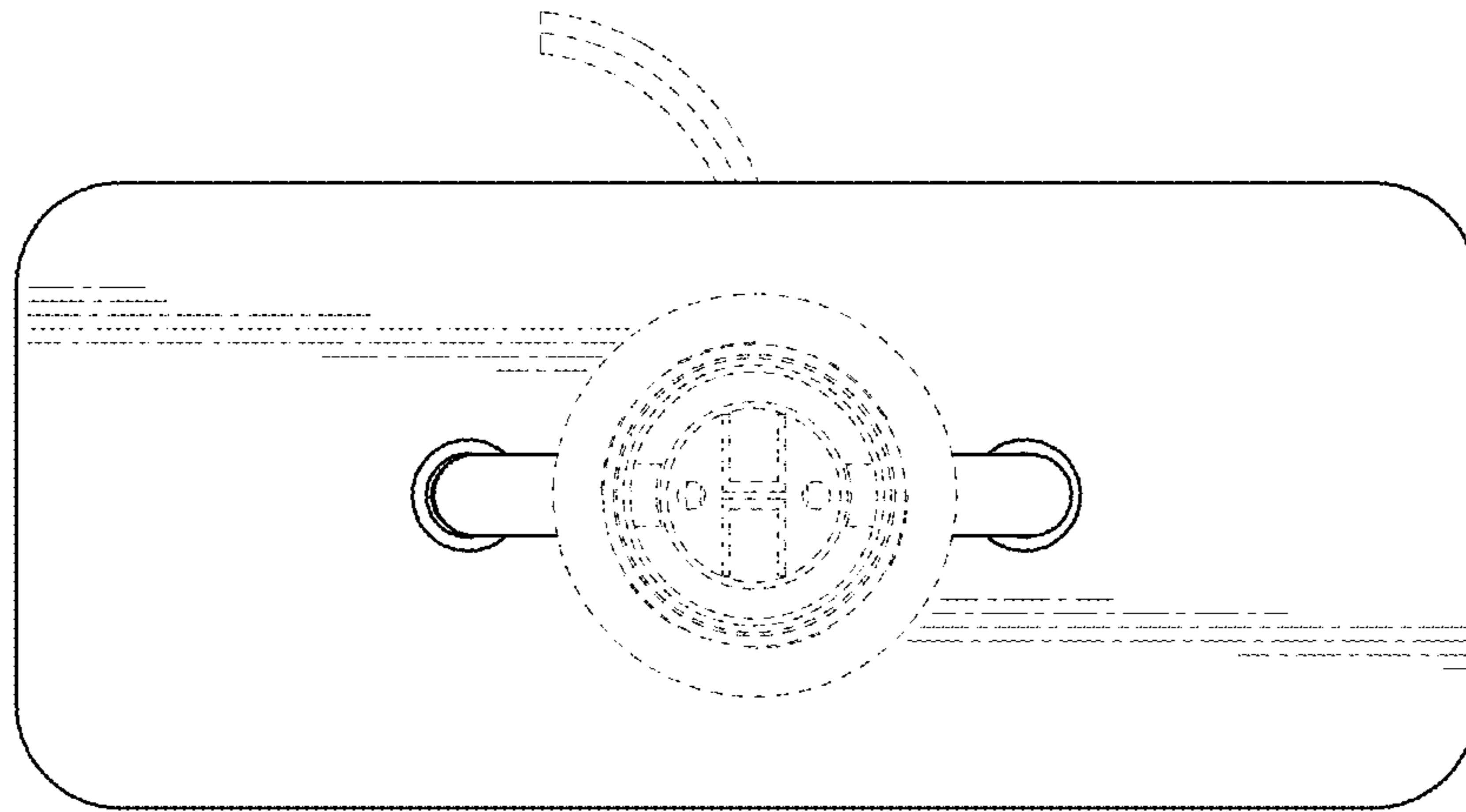


FIG. 13

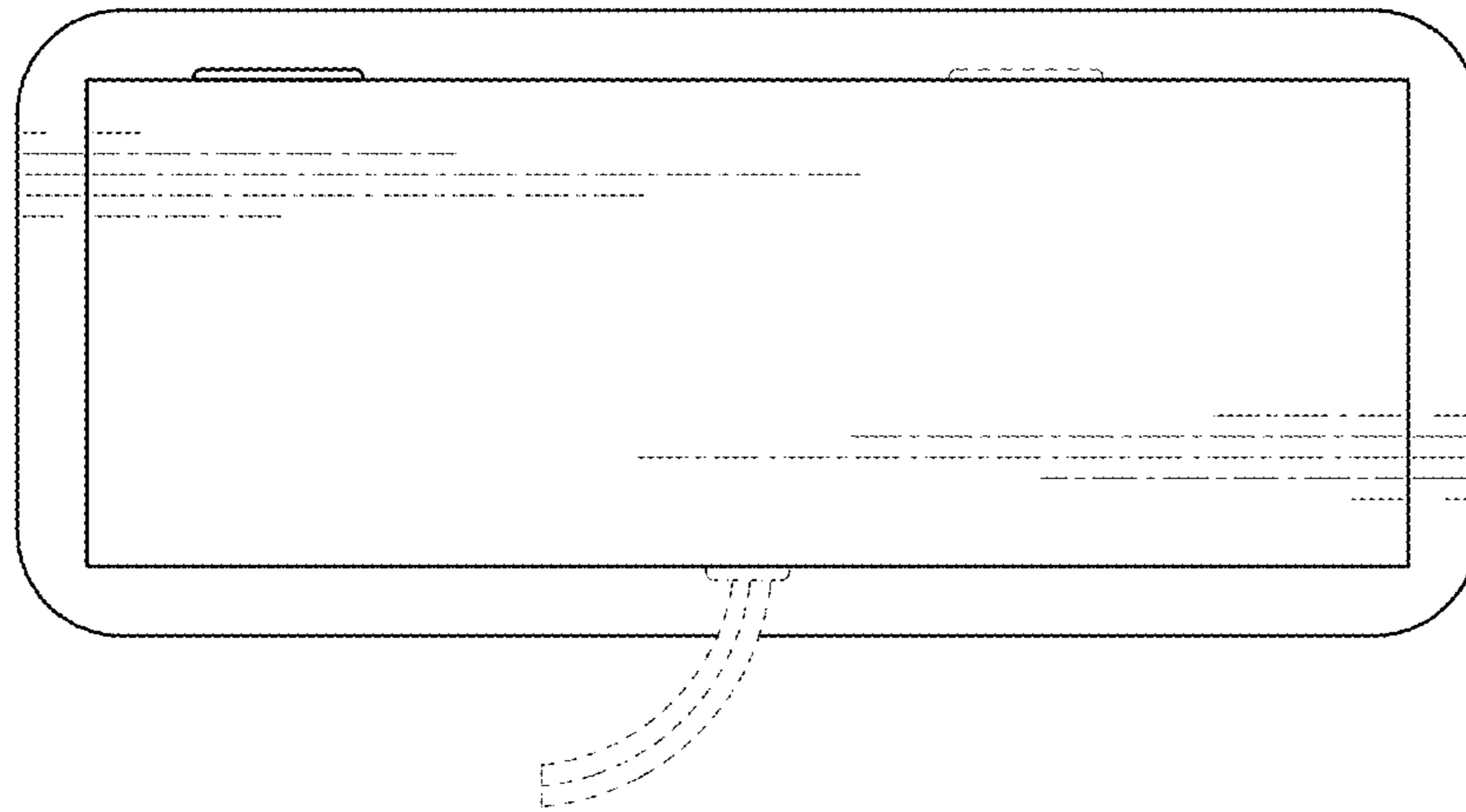


FIG. 14