



US00D963923S

(12) **United States Design Patent**
Malouin

(10) **Patent No.:** **US D963,923 S**

(45) **Date of Patent:** **** Sep. 13, 2022**

(54) **LIGHTING FIXTURE**

(71) Applicant: **Philippe Malouin**, London (GB)

(72) Inventor: **Philippe Malouin**, London (GB)

(**) Term: **15 Years**

(21) Appl. No.: **29/699,241**

(22) Filed: **Jul. 24, 2019**

D669,627 S * 10/2012 Huang D26/107
D674,531 S * 1/2013 Yuen D26/93
D683,887 S 6/2013 Sabernig
D738,557 S 9/2015 Colombo
D739,070 S * 9/2015 Wilson D26/104
D743,378 S * 11/2015 Kim D14/215

(Continued)

FOREIGN PATENT DOCUMENTS

EM 005949260-0002 * 1/2019
GB 9005949260-0002 * 1/2019

OTHER PUBLICATIONS

Agese Wall Mounted Reading Light Sconces, Sep. 10, 2017, Amazon.com, site visited May 20, 2022, url: <https://www.amazon.com/dp/B075J9QRJV/> (Year: 2017).*

(Continued)

Primary Examiner — T Chase Nelson
Assistant Examiner — Rachel Wolfe
(74) *Attorney, Agent, or Firm* — Timothy W. Menasco, Esq.; Harter Secrest & Emery LLP

Related U.S. Application Data

(63) Continuation of application No. 29/656,431, filed on Jul. 12, 2018, now Pat. No. Des. 869,056.

(51) **LOC (13) Cl.** **26-05**

(52) **U.S. Cl.**
USPC **D26/93**; D26/72; D26/107

(58) **Field of Classification Search**
USPC D26/24, 60–63, 72, 85, 88, 92, 93, 106, D26/107, 113, 118
CPC F21S 6/00; F21S 6/002; F21S 8/03; F21S 8/033; F21S 8/036; F21S 8/04; F21S 8/043; F21S 8/08; F21V 21/00; F21V 21/02; F21V 21/10; F21V 21/32
See application file for complete search history.

CLAIM

(57) The ornamental design of a lighting fixture, as shown and described.

References Cited

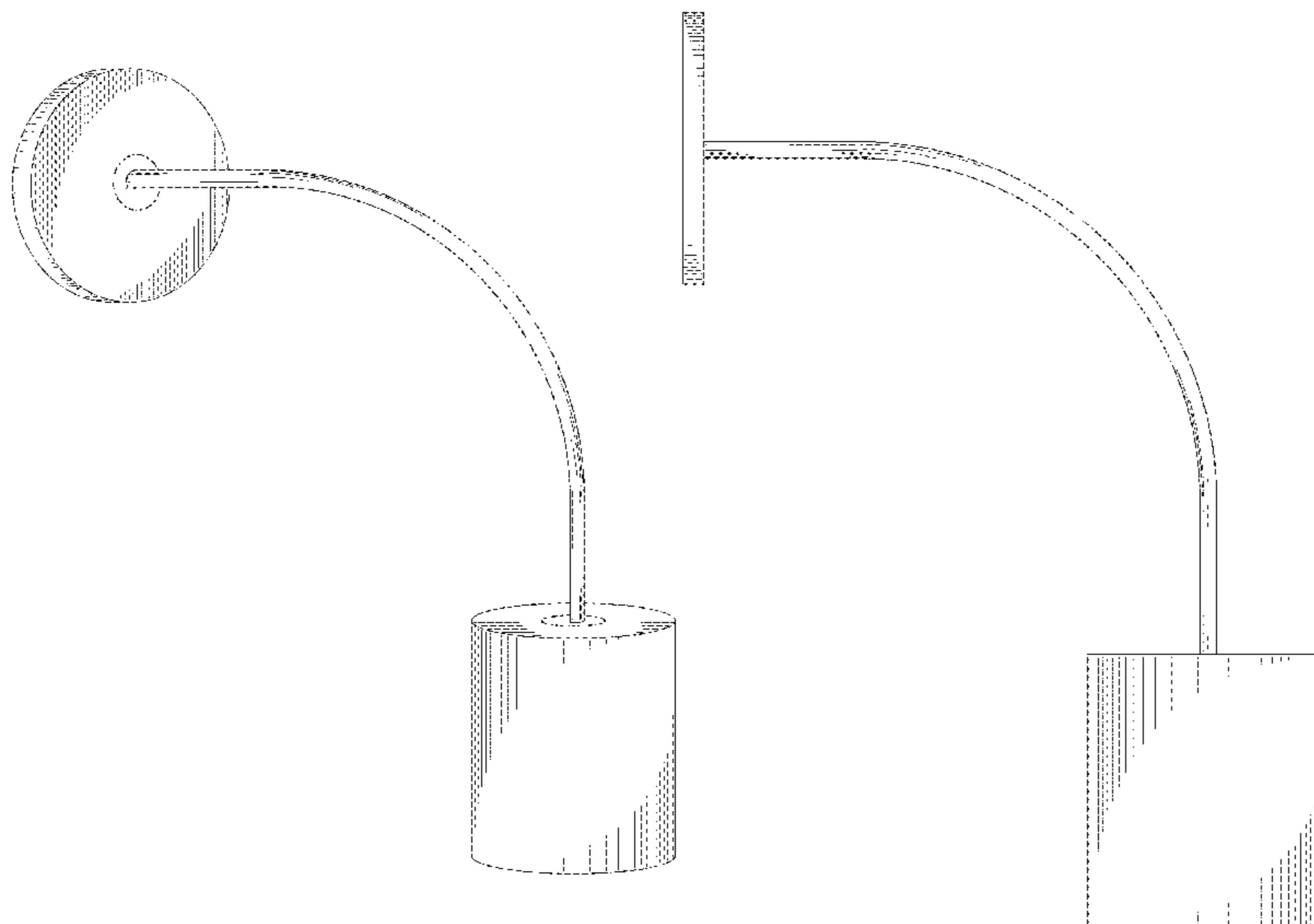
U.S. PATENT DOCUMENTS

D214,081 S * 5/1969 Araki F16M 11/10 D26/65
3,748,463 A * 7/1973 Trassinelli F21V 21/35 362/411
3,789,213 A * 1/1974 Sonneman F21S 6/006 248/123.2
D302,480 S * 7/1989 Mauk D26/92
D313,669 S 1/1991 Sonneman
D360,968 S * 8/1995 Sonneman D26/107
D500,156 S * 12/2004 Kao D26/61
D512,171 S * 11/2005 Opolka D26/62
D606,236 S * 12/2009 Sabernig D26/110
D633,646 S 3/2011 Marcaccio

DESCRIPTION

FIG. 1 is a front perspective view of a lighting fixture in accordance with the present invention; FIG. 2 is a rear view thereof; FIG. 3 is a right side view thereof; FIG. 4 is a front side view thereof; FIG. 5 is a left view thereof; FIG. 6 is a top view thereof; and, FIG. 7 is a bottom view thereof. The broken lines of the Figures are for illustrative purposes only and form no part of the claimed design.

1 Claim, 7 Drawing Sheets



(56)

References Cited

U.S. PATENT DOCUMENTS

D747,028	S	*	1/2016	Liang	D26/107
D806,301	S	*	12/2017	Waldmann	F21V 21/14
					D26/63
D808,674	S	*	1/2018	Handler	D6/352
D810,352	S	*	2/2018	Bibby	D26/107
D818,629	S		5/2018	Zhou	
D824,573	S	*	7/2018	Sonneman	D26/107
D837,439	S	*	1/2019	Aebi	D26/88
D869,056	S	*	12/2019	Malouin	D26/106
D881,442	S	*	4/2020	Jiang	D26/110
D889,023	S	*	6/2020	Sun	D26/107
D905,898	S	*	12/2020	Meise	D26/107
D913,573	S	*	3/2021	Hendifar	D26/107
2006/0203489	A1	*	9/2006	Chen	F16M 11/10
					362/253

OTHER PUBLICATIONS

Vonlucce Modern Arc Floor Lamp, Mar. 19, 2018, Amazon.com, site visited May 20, 2022, url: <https://www.amazon.com/dp/B07BJZGM3W/?th=1> (Year: 2018).*

Grandview Gallery Minimalist Industrial Desk Lamp, May 14, 2019, Amazon.com, site visited May 20, 2022, url: <https://www.amazon.com/dp/B07R6TK8QX/> (Year: 2019).*

Pole 4 by Philippe Malouin, Aug. 4, 2021, Roll & Hill, site visited May 20, 2022, url: <https://www.rollandhill.com/products/pole-4> (Year: 2021).*

* cited by examiner

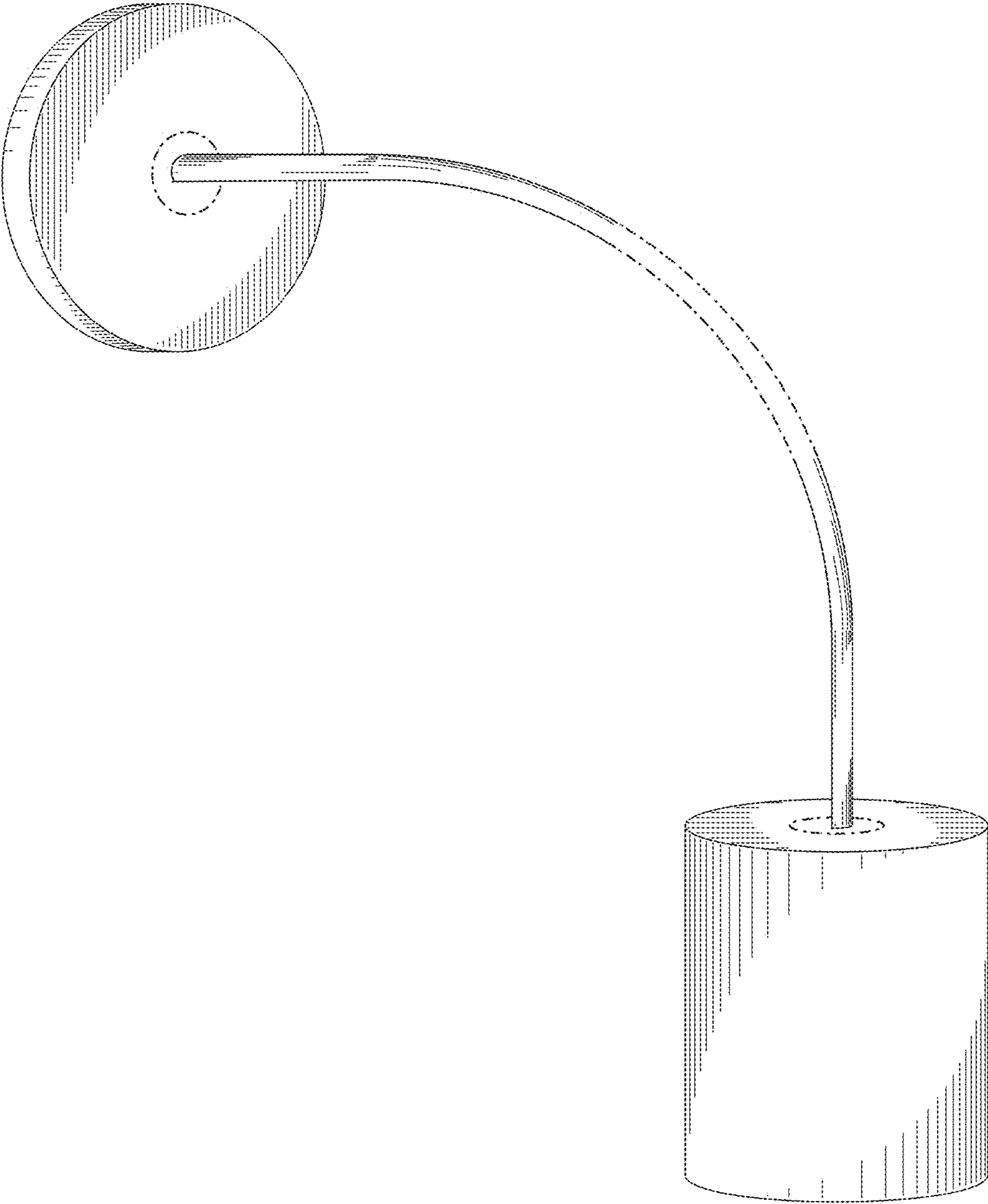


FIG. 1

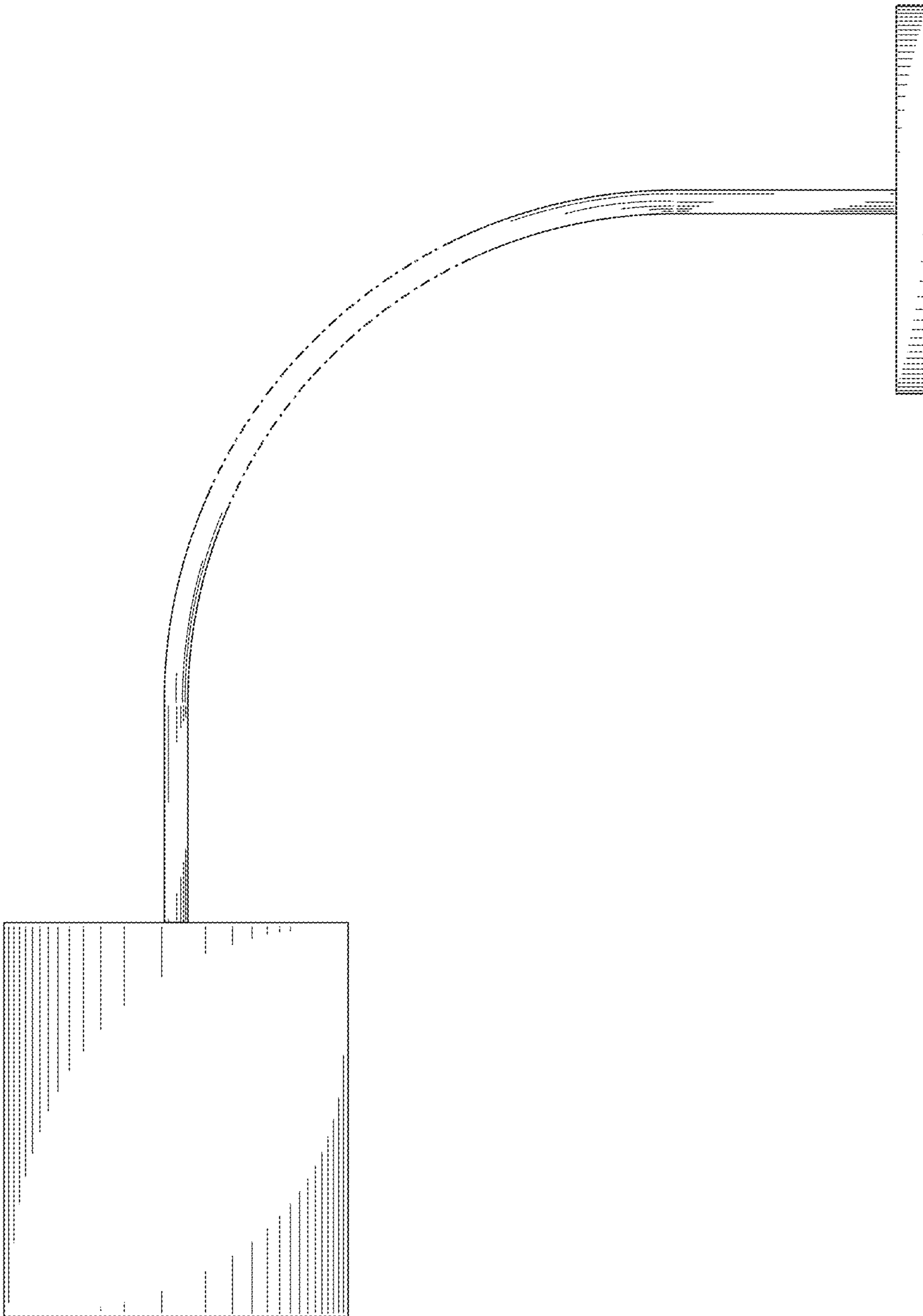


FIG. 2

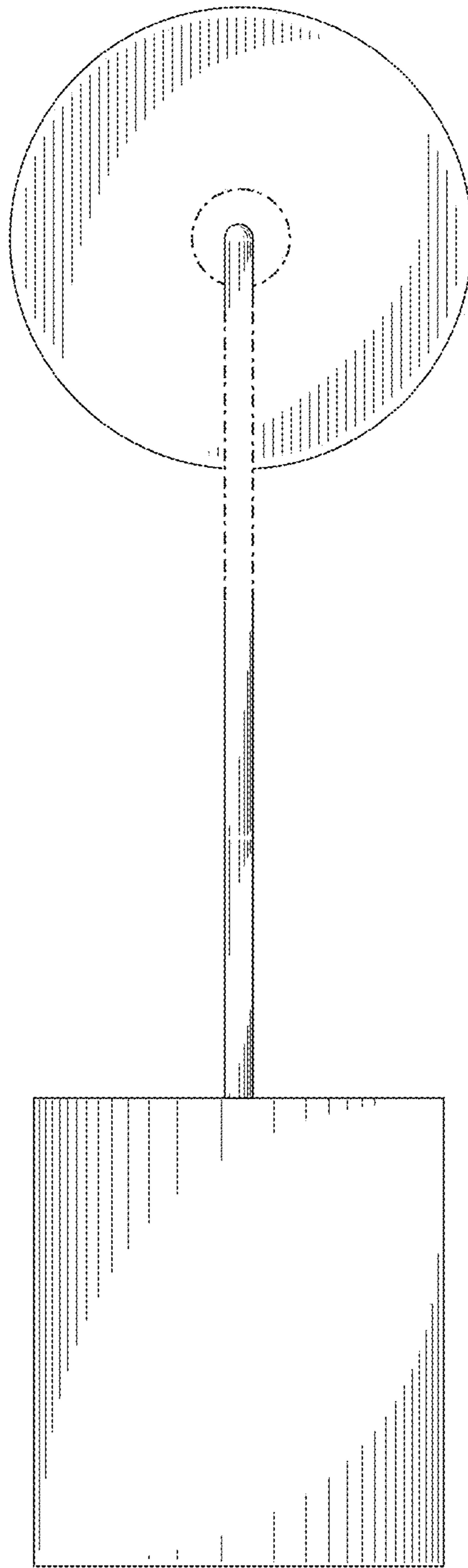


FIG. 3

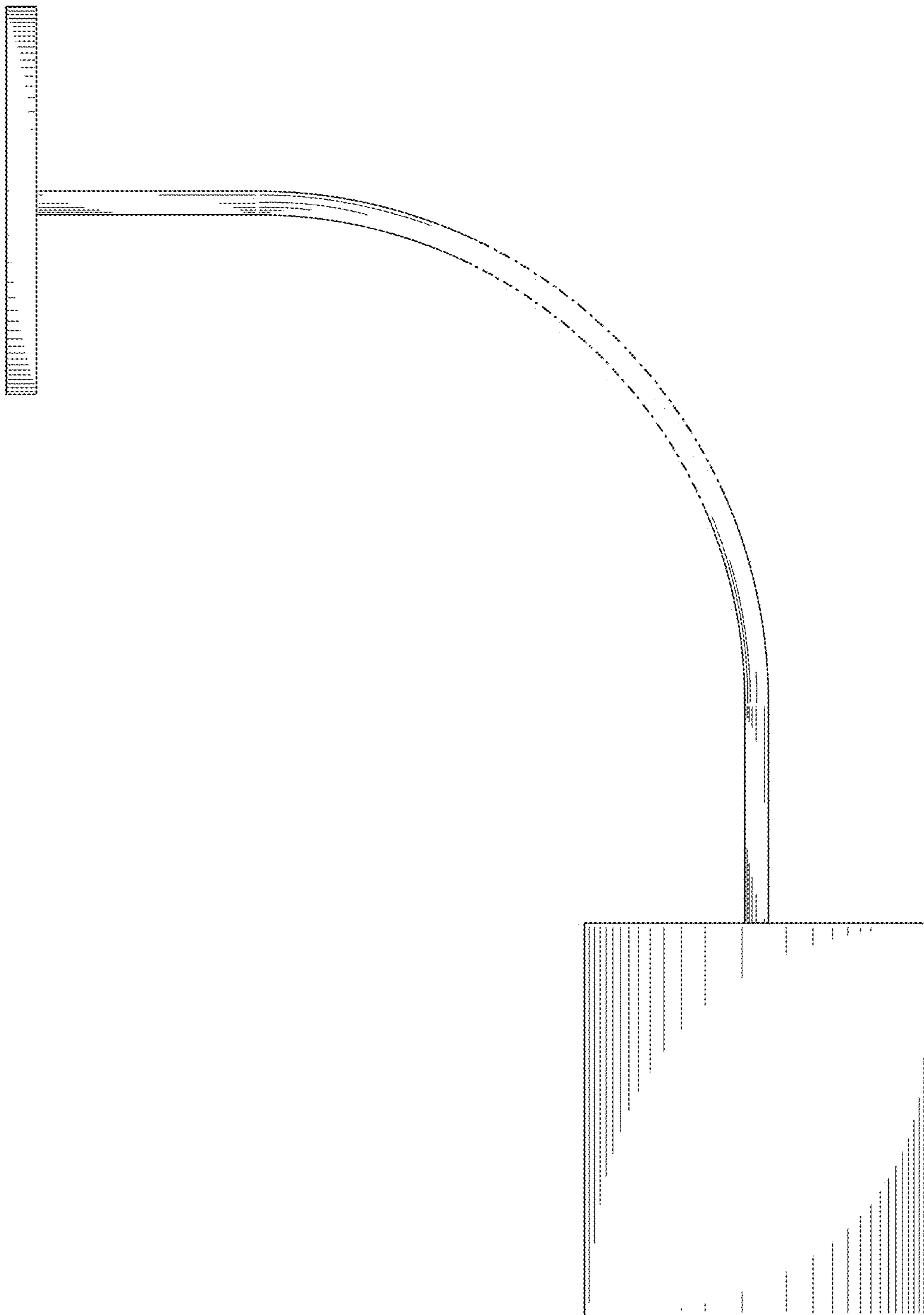


FIG. 4

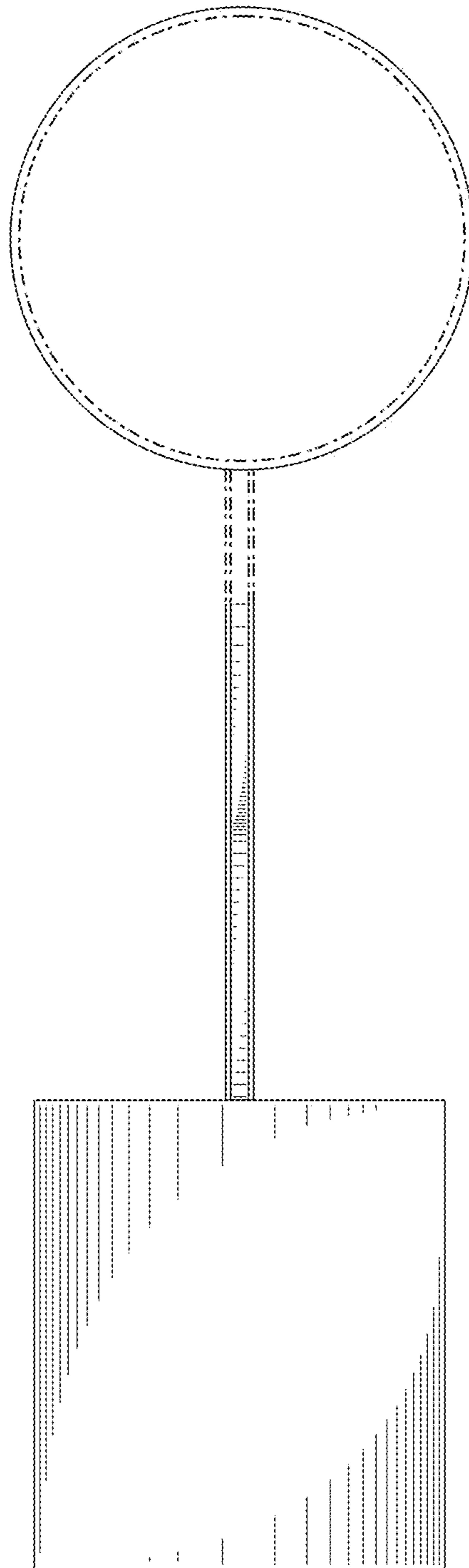


FIG. 5

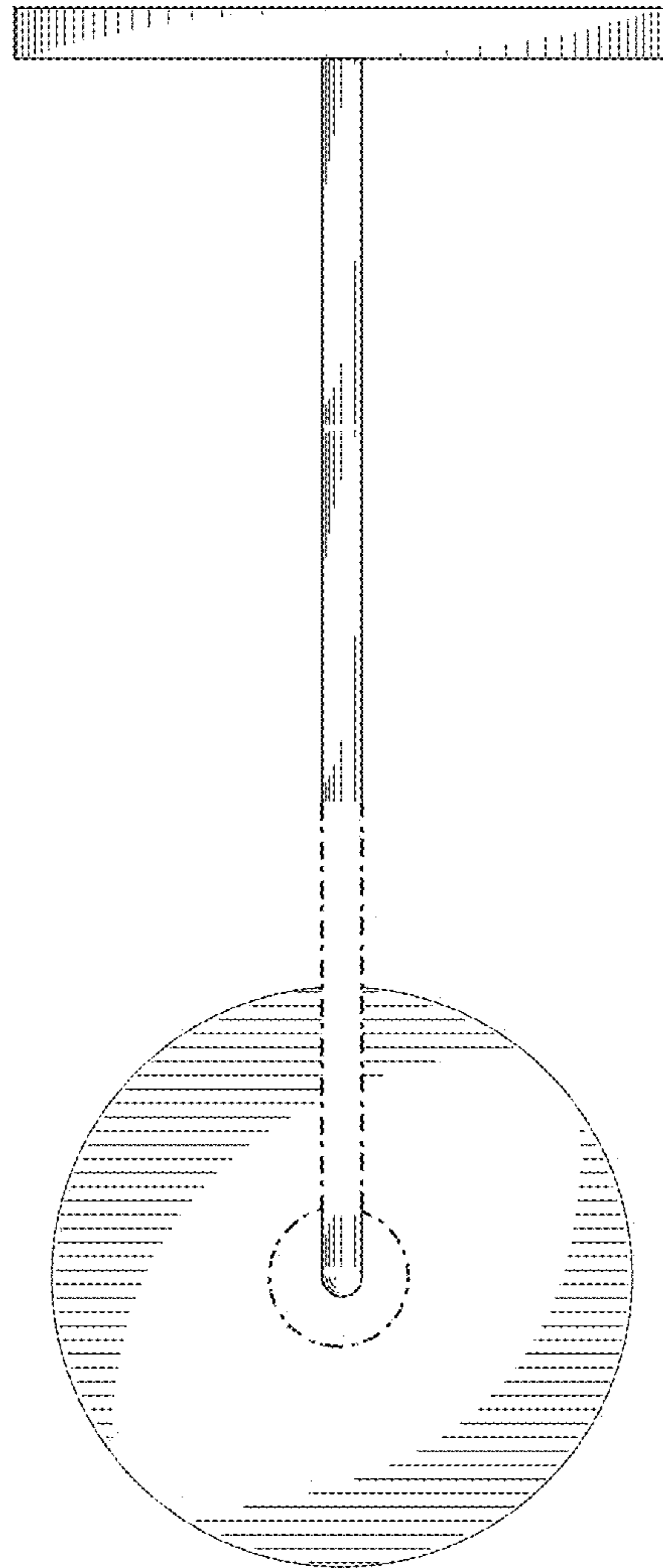


FIG. 6

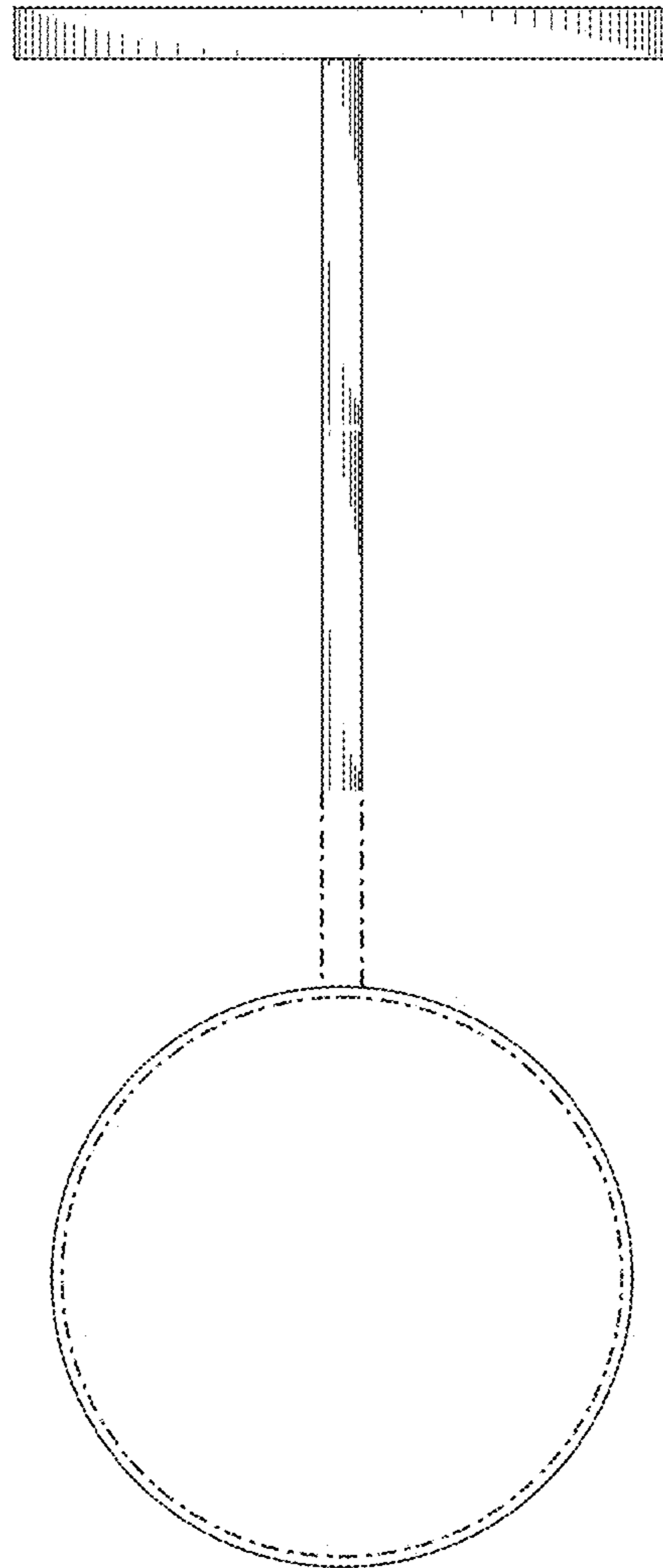


FIG. 7