



US00D963920S

(12) **United States Design Patent** (10) **Patent No.:** **US D963,920 S**
Hendifar (45) **Date of Patent:** **** Sep. 13, 2022**

(54) **CEILING LIGHT FIXTURE**
(71) Applicant: **Apparatus LLC**, New York, NY (US)
(72) Inventor: **Gabriel Hendifar**, New York, NY (US)
(73) Assignee: **APPARATUS LLC**, New York, NY (US)
(**) Term: **15 Years**

D500,165 S * 12/2004 Parres D26/90
D596,780 S * 7/2009 Thun D26/88
D774,237 S * 12/2016 Stolte D26/92
D775,381 S * 12/2016 Jacq D26/28

(Continued)

FOREIGN PATENT DOCUMENTS

EM 003789445-0011 * 3/2017
GB 6120603 * 2/2021
JP D1632884 * 6/2019

(21) Appl. No.: **29/652,843**
(22) Filed: **Dec. 16, 2020**
(51) **LOC (13) Cl.** **26-05**
(52) **U.S. Cl.**
USPC **D26/89**
(58) **Field of Classification Search**
USPC D26/24, 51, 72, 80, 81, 83, 85, 88, 89,
D26/90; D10/104.1, 106.1, 106.6, 111
CPC F21S 8/06; F21S 8/061; F21S 8/003; F21S
8/00; F21S 8/065; F21S 8/04; F21S 8/068
See application file for complete search history.

OTHER PUBLICATIONS

Scott Lamp, Model 2338, available in <https://www.scottlamp.com/>,
announced [online], [site visited May 25, 2022], Internet URL:<https://www.scottlamp.com/products/2338/> (Year: 2022).*

(Continued)

Primary Examiner — Samantha Wood
Assistant Examiner — Alex T. Milbrath
(74) *Attorney, Agent, or Firm* — Gottlieb, Rackman &
Reisman, P.C.

(56) **References Cited**

U.S. PATENT DOCUMENTS

D64,554 S * 4/1924 Parizek D26/104
D90,021 S * 5/1933 Despard D26/24
D204,795 S * 5/1966 Dickerson D99/37
D300,372 S * 3/1989 O'Dohanue D26/85
D329,101 S * 9/1992 Landefeld D26/68
D347,905 S * 6/1994 Barbour D26/85
5,486,989 A * 1/1996 Compton F21S 8/04
362/147
D385,054 S * 10/1997 Landefeld D26/85
D394,724 S * 5/1998 Compton D26/85
D395,724 S * 6/1998 Compton D26/85
D404,163 S * 1/1999 Littman D26/85
D432,709 S * 10/2000 Hsu D26/128
D467,379 S * 12/2002 Hsu D26/85
D468,654 S * 1/2003 Wunsch D10/104.1
D482,486 S * 11/2003 Demers D26/85
D487,525 S * 3/2004 Hsu D26/72

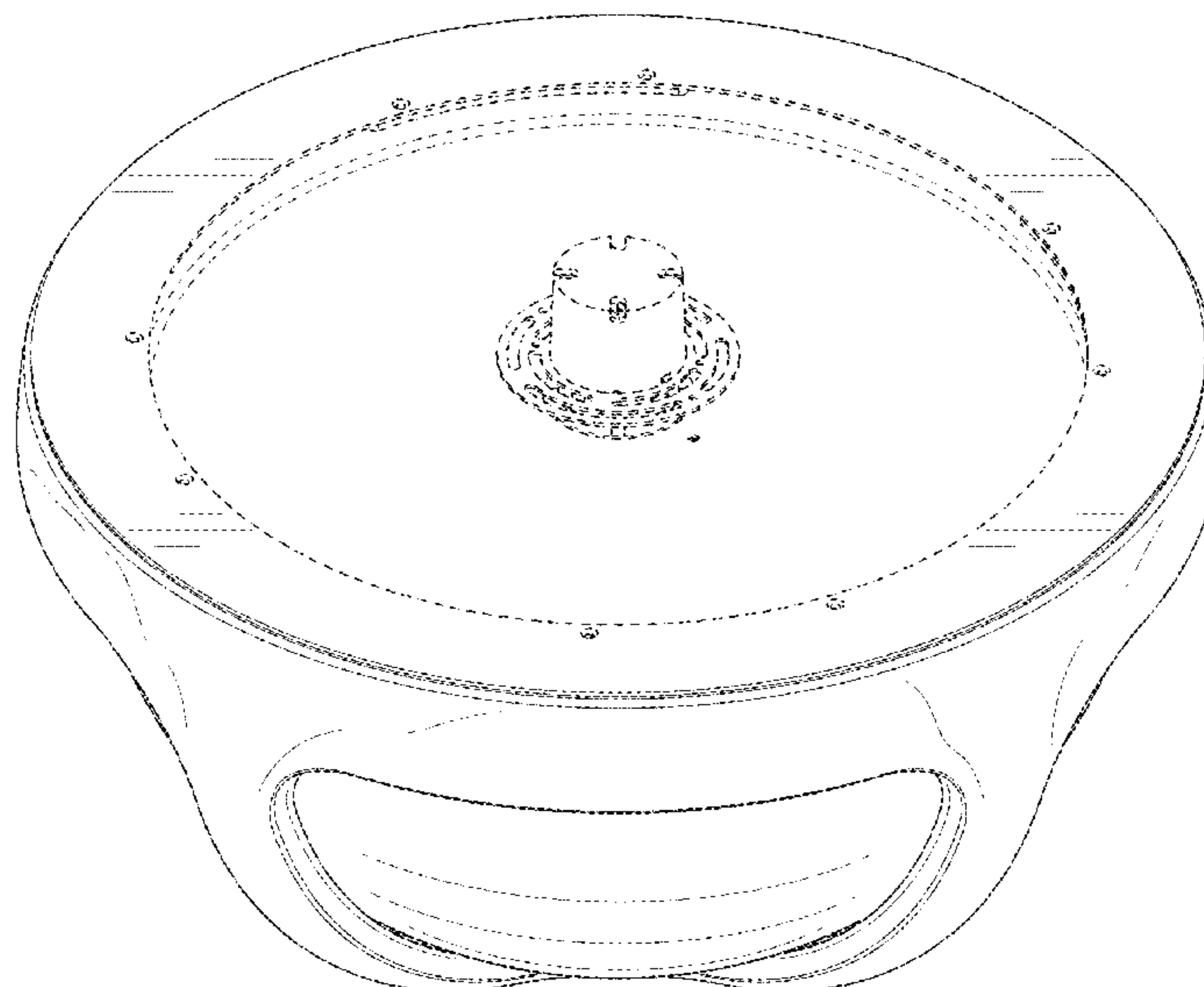
(57) **CLAIM**

The ornamental design for a ceiling light fixture, as shown and described.

DESCRIPTION

FIG. 1 is a front top perspective view of a ceiling light fixture showing my new design;
FIG. 2 is a front elevational view of FIG. 1;
FIG. 3 is a rear elevational view of FIG. 1;
FIG. 4 is a left side elevational view of FIG. 1;
FIG. 5 is a right side elevational view of FIG. 1;
FIG. 6 is a top plan view of FIG. 1; and,
FIG. 7 is a bottom plan view of FIG. 1.
The broken lines are included for the purpose of illustrating portions of the article and form no part of the claimed design.

1 Claim, 7 Drawing Sheets



(56)

References Cited

U.S. PATENT DOCUMENTS

D792,016 S * 7/2017 de Bevilacqua D26/88
D817,922 S * 5/2018 Hong D14/210
D851,810 S * 6/2019 Workman D26/88
D870,354 S * 12/2019 Arola D26/88
2012/0195041 A1 * 8/2012 Fletcher F21V 23/009
362/249.02
2014/0160737 A1 * 6/2014 Strelchuk F21V 29/83
362/184

OTHER PUBLICATIONS

Antoni Arola presents Palma at Punto Luz, available in <https://www.vibia.com/>, announced Year 2018 [online], [site visited May 25, 2022], Internet URL: <https://www.vibia.com/en/antoni-arola-presents-palma-at-punto-luz/> (Year: 2018).*

Amazon, LED Modern Chandelier 1-Ring Circular Pendant Light, available Aug. 28, 2019 [online], [site visited May 25, 2022], Internet URL: https://www.amazon.com/Chandelier-Circular-Lighting-ROYAL-PEARL/dp/B09FLTCZMN/ref=sr_1_2_sspa?crid=CYLQAFKLYFFD&keywords=ring%25%E2%80%A6 (Year: 2019).*

Walmart, Quoizel Platinum PCLA1615BN Flush Mount Light, available in <https://www.walmart.com/>, announced [online], [site visited May 25, 2022], Internet URL: <https://www.walmart.com/ip/Quoizel-Platinum-PCLA1615BN-Flush-Mount-Light/658596497> (Year: 2022).*

* cited by examiner

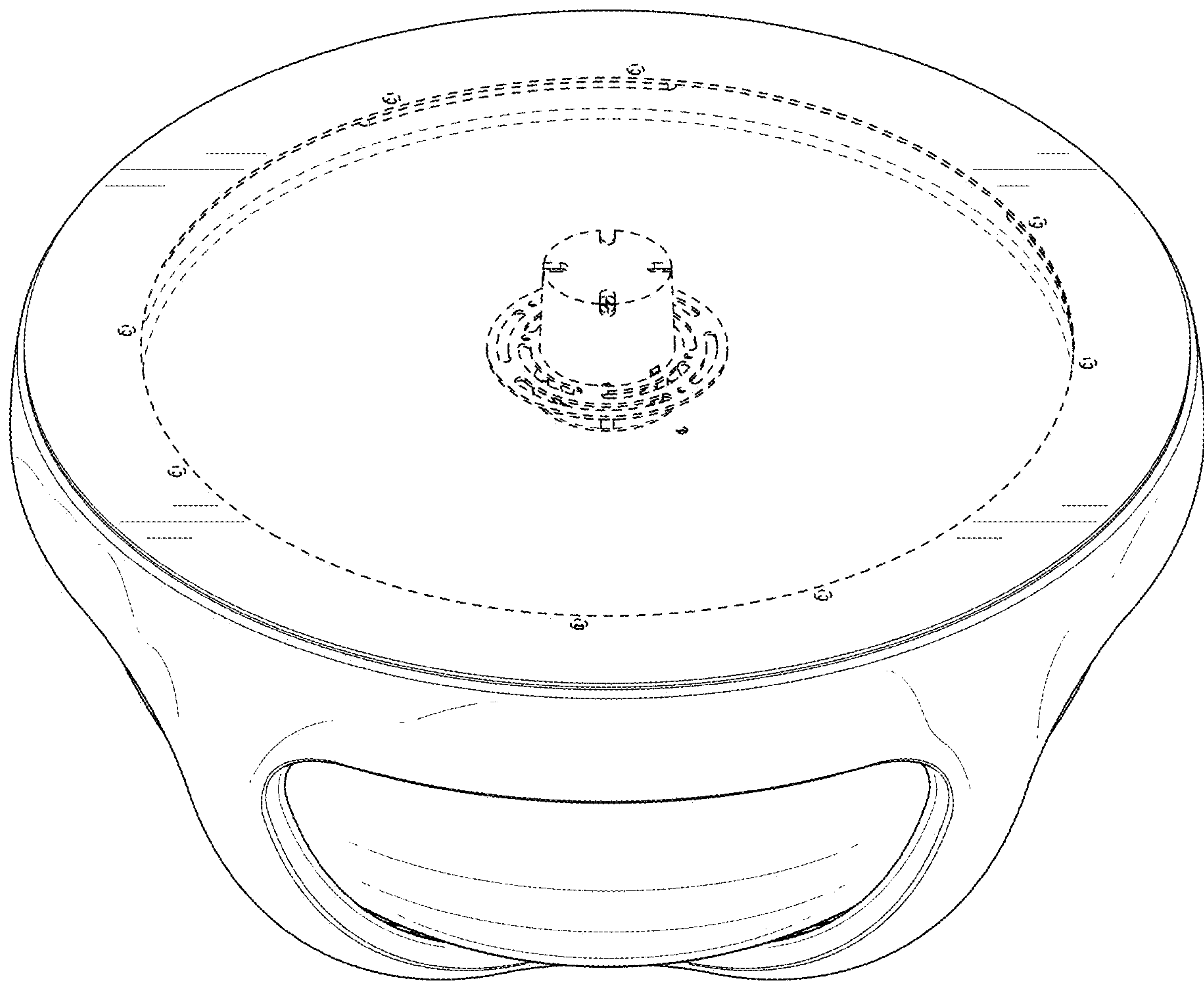


FIG. 1

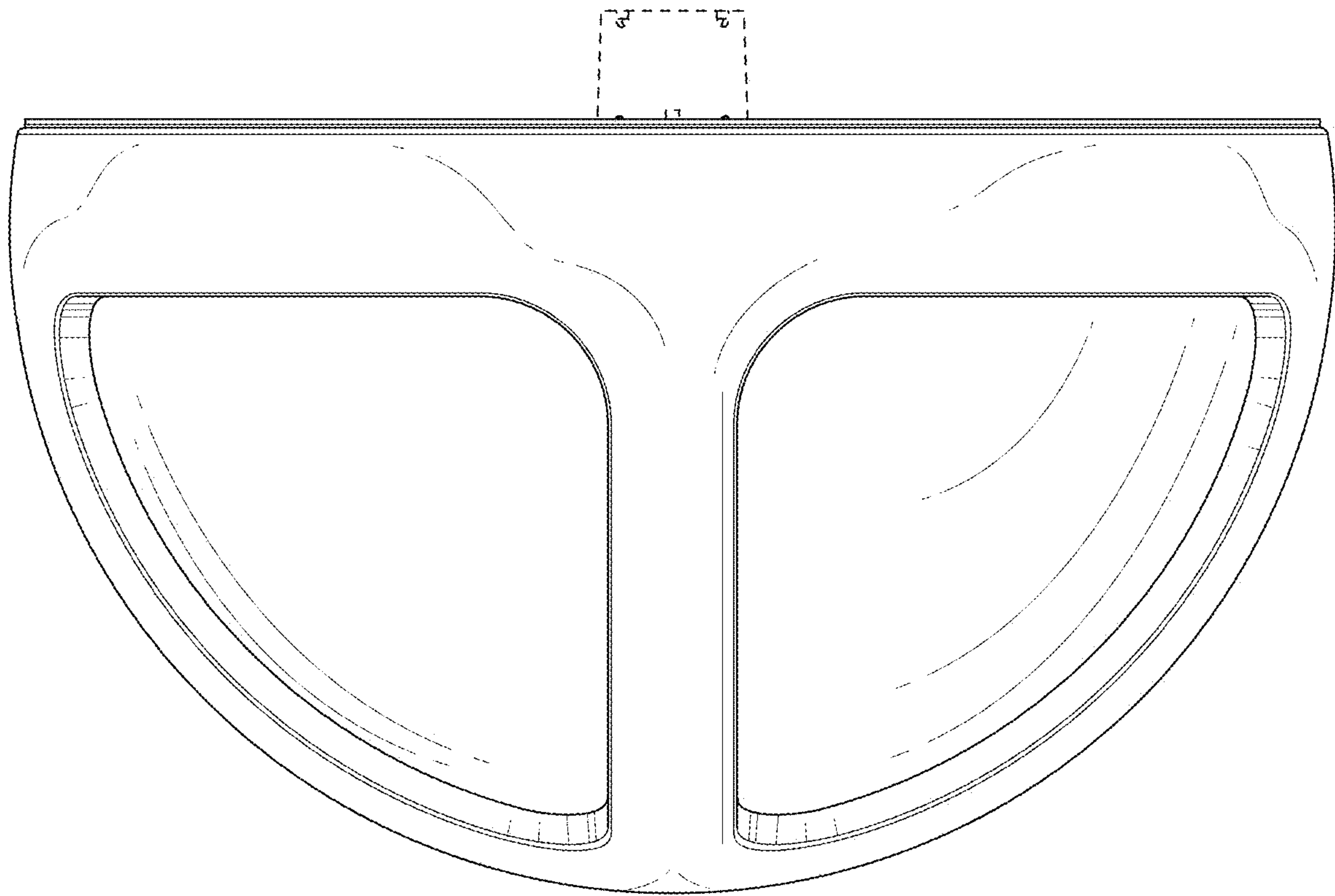


FIG. 2

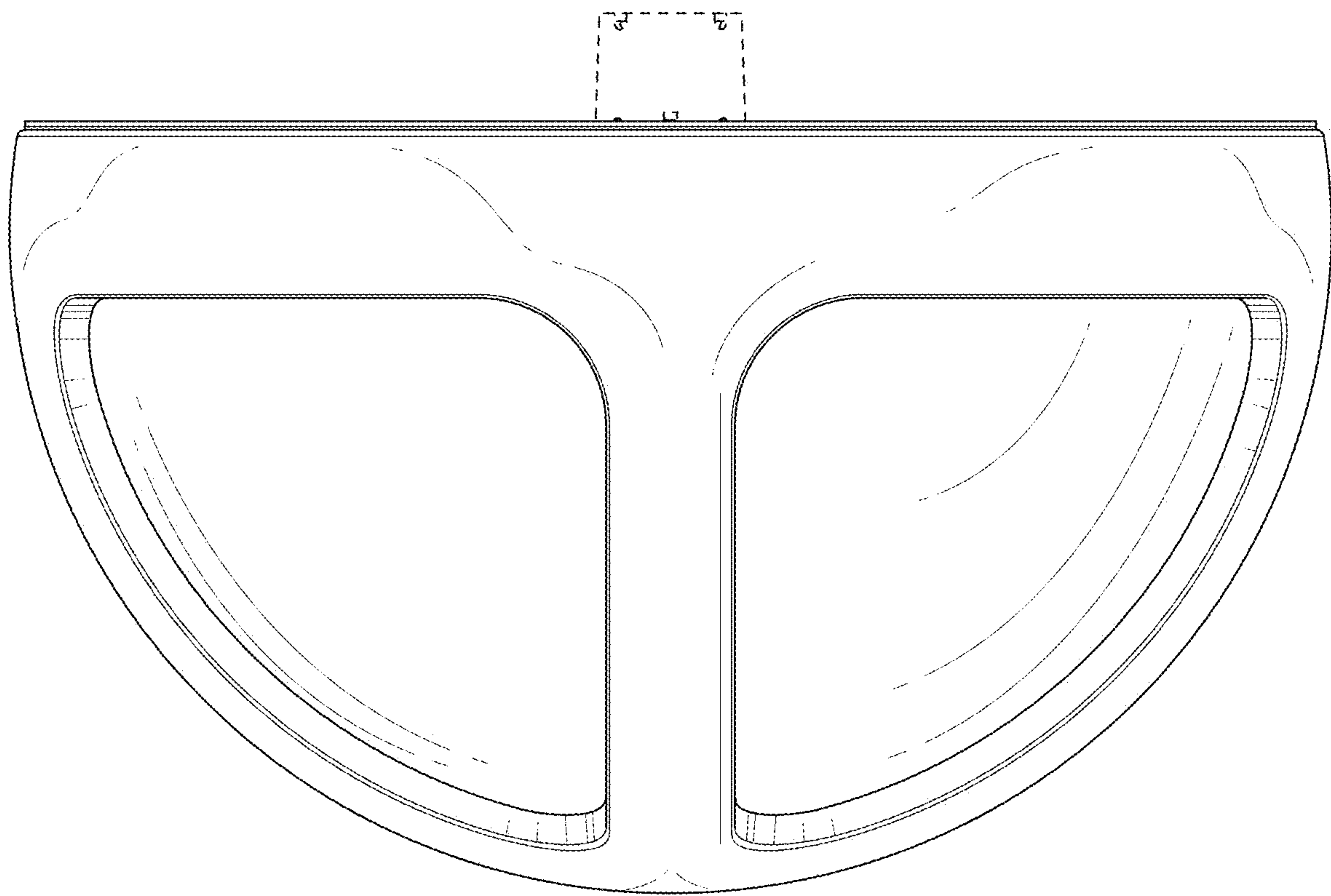


FIG. 3

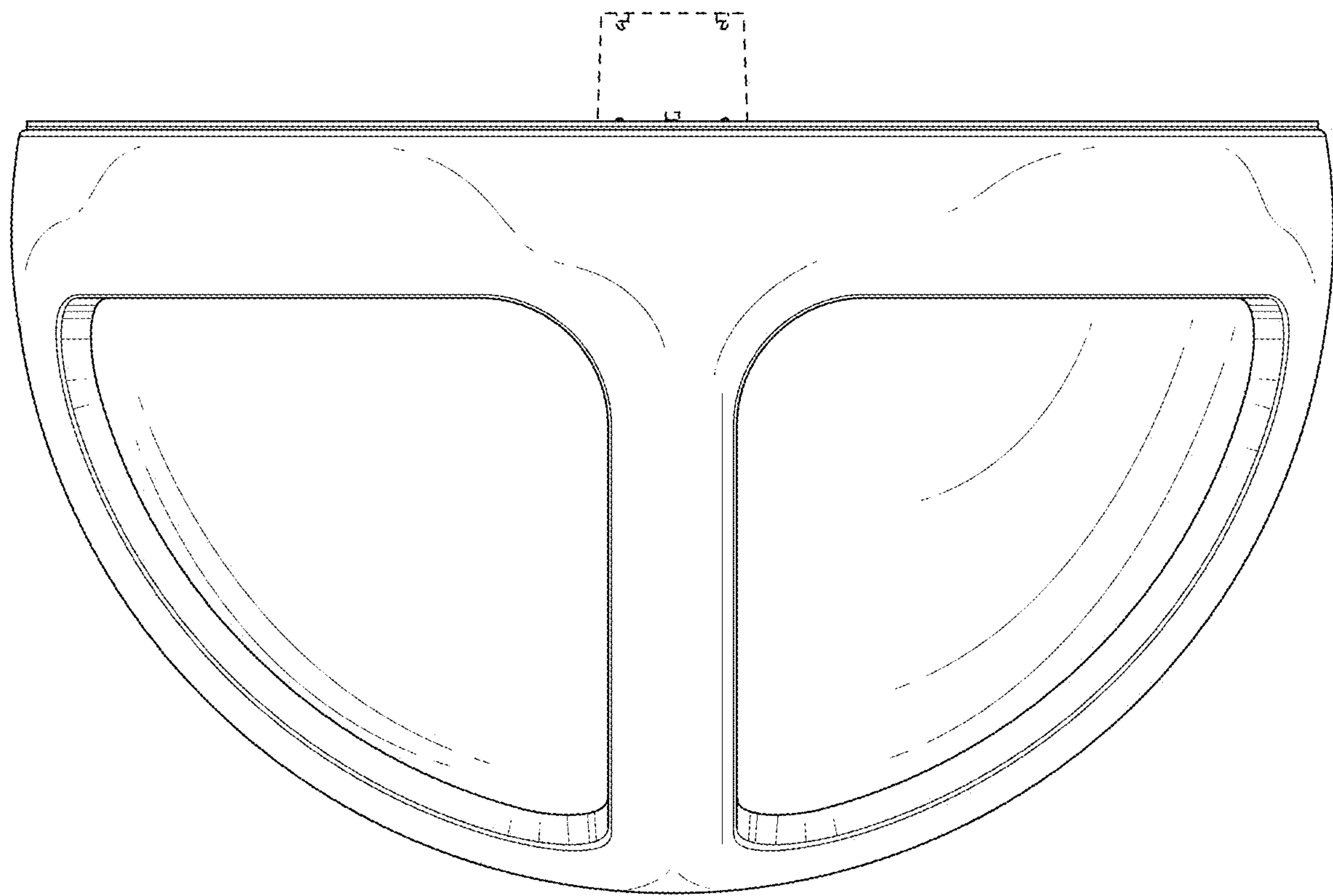


FIG. 4

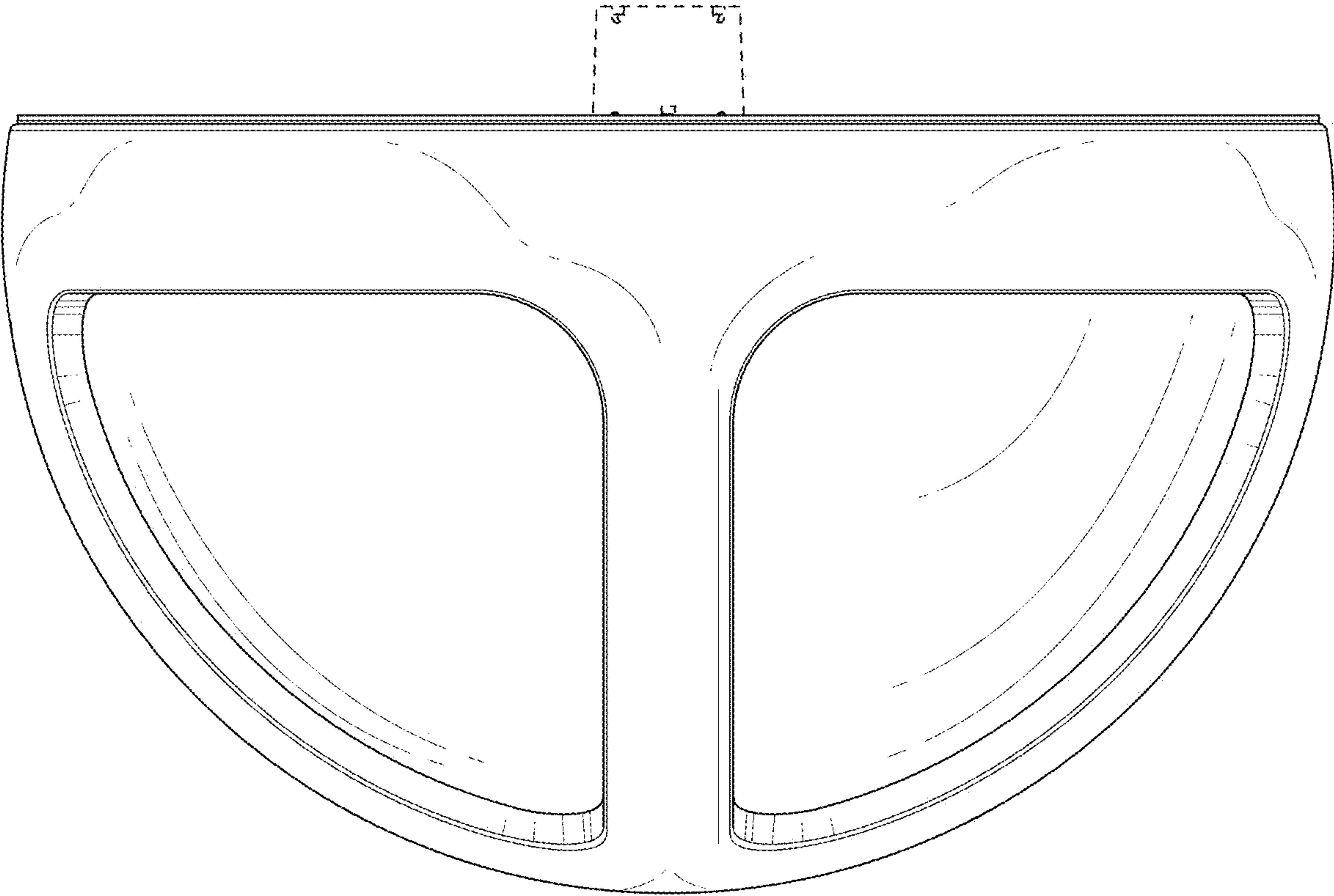


FIG. 5

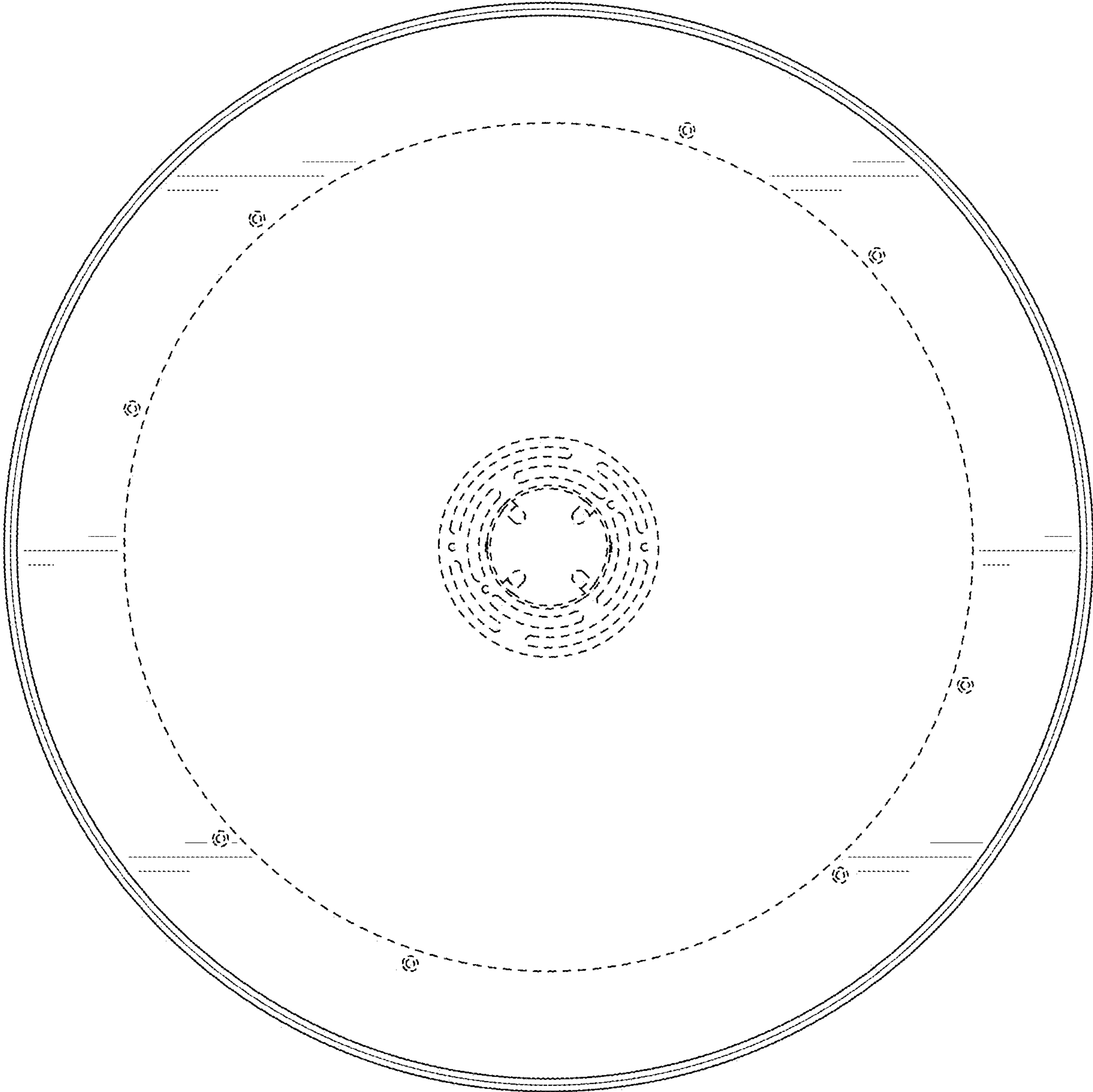


FIG. 6

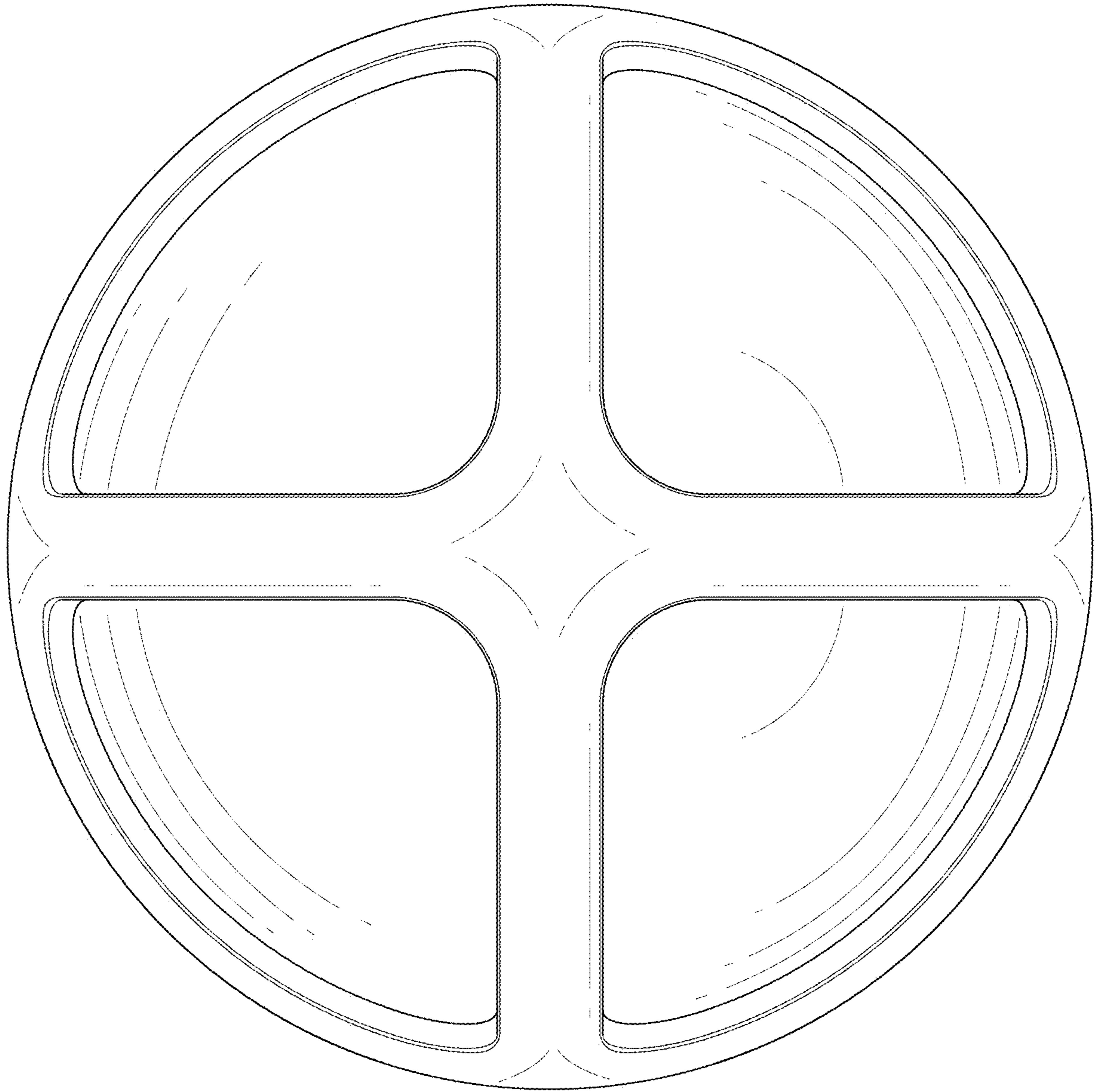


FIG. 7