



US00D963919S

(12) **United States Design Patent**
Hendifar

(10) **Patent No.:** **US D963,919 S**
(45) **Date of Patent:** **** Sep. 13, 2022**

(54) **CEILING LIGHT FIXTURE**

FOREIGN PATENT DOCUMENTS

- (71) Applicant: **Apparatus LLC**, New York, NY (US)
- (72) Inventor: **Gabriel Hendifar**, New York, NY (US)
- (73) Assignee: **APPARATUS LLC**, New York, NY (US)

EM	003789445-0011	*	3/2017
GB	6120603	*	2/2021
JP	D1632884	*	6/2019

(**) Term: **15 Years**

(21) Appl. No.: **29/652,842**

(22) Filed: **Dec. 16, 2020**

(51) **LOC (13) Cl.** **26-05**

(52) **U.S. Cl.**
USPC **D26/88**

(58) **Field of Classification Search**
USPC D26/24, 51, 72, 80, 81, 83, 85, 88, 90
CPC F21S 8/06; F21S 8/061; F21S 8/003; F21S 8/00; F21S 8/065; F21S 8/04; F21S 8/068
See application file for complete search history.

OTHER PUBLICATIONS

Scott Lamp, Model 2338, available in <https://www.scottlamp.com/>, announced 2022 [online], [site visited May 25, 2022], Internet URL: <https://www.scottlamp.com/products/2338/> (Year: 2022).*

(Continued)

Primary Examiner — Samantha Wood

Assistant Examiner — Alex T. Milbrath

(74) *Attorney, Agent, or Firm* — Gottlieb, Rackman & Reisman, P.C.

(56) **References Cited**

U.S. PATENT DOCUMENTS

D42,713 S *	7/1912	Schepmoes	D26/90
D45,539 S *	3/1914	Meyers	D26/90
D48,094 S *	11/1915	Adam	D26/90
D49,302 S *	7/1916	Guth	D26/90
D52,611 S *	10/1918	Guth	D26/90
1,318,757 A *	10/1919	Hotchkin	F21V 7/04 362/453
D81,532 S *	7/1930	Gosling	D26/88
D87,935 S *	10/1932	Muench	D26/88
D347,905 S *	6/1994	Barbour	D26/85
D391,011 S *	2/1998	Kluck	D26/142
D393,093 S *	3/1998	Fiorato	D26/85
D400,277 S *	10/1998	Ewing	D26/85
D487,525 S *	3/2004	Hsu	D26/72
D541,973 S *	5/2007	Dolan	D26/92
D662,645 S *	6/2012	Morgan	D26/90
D767,195 S *	9/2016	Pollack, Jr.	D26/89
D770,666 S *	11/2016	Sonneman	D26/88

(Continued)

DESCRIPTION

(57) **CLAIM**

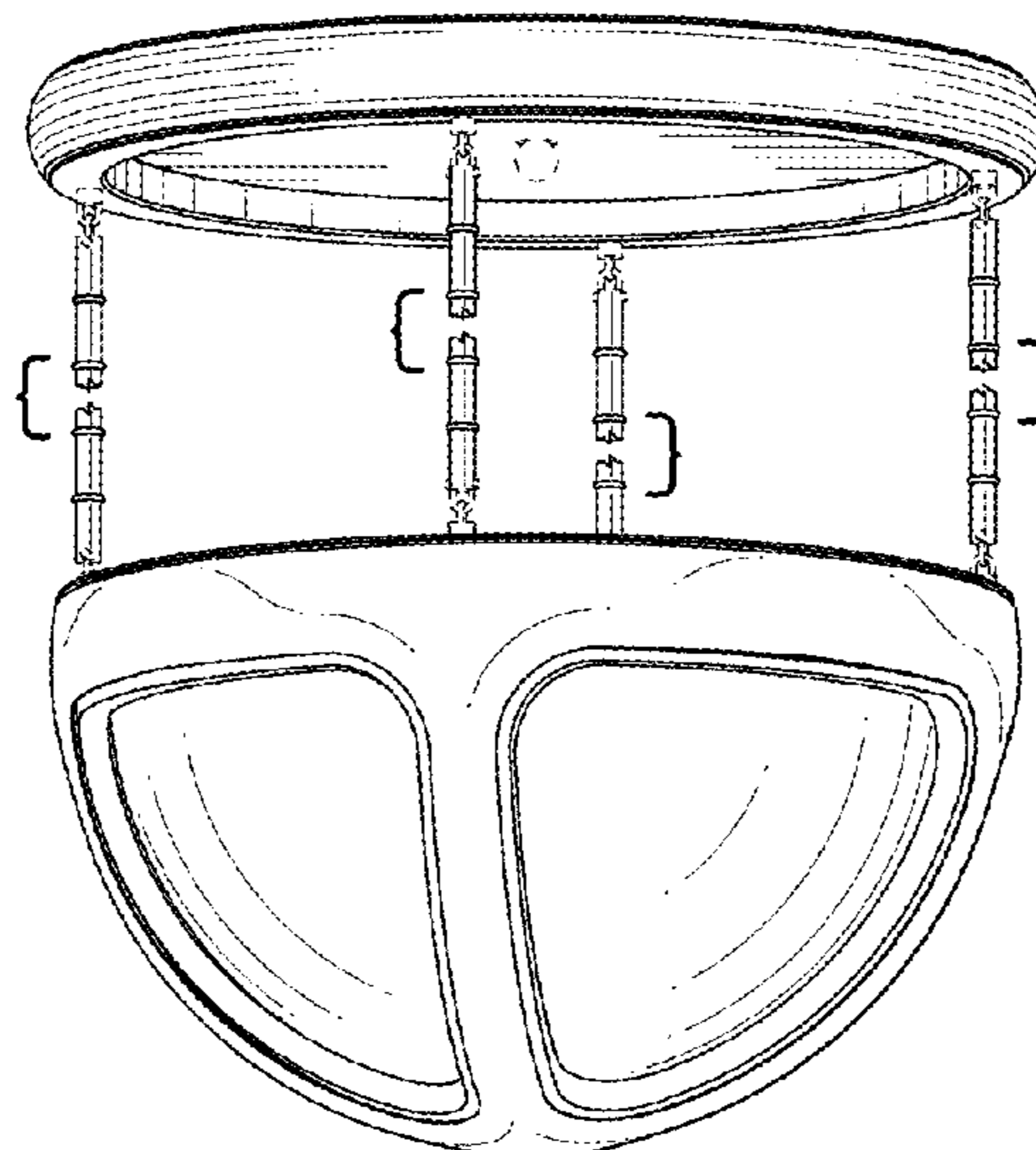
The ornamental design for a ceiling light fixture, as shown and described.

FIG. 1 is a front bottom perspective view of a ceiling light fixture showing my new design; FIG. 2 is a front elevational view thereof; FIG. 3 is a rear elevational view thereof; FIG. 4 is a left side elevational view thereof; FIG. 5 is a right side elevational view thereof; FIG. 6 is a top plan view thereof; and, FIG. 7 is a bottom plan view thereof.

The broken lines are included for the purpose of illustrating portions of the article and form no part of the claimed design.

The ceiling light fixture is shown with a symbolic break in its length. The appearance of any portion of the article between the break lines forms no part of the claimed design.

1 Claim, 4 Drawing Sheets



(56)

References Cited

U.S. PATENT DOCUMENTS

D787,108	S	*	5/2017	Hendifar	D26/88
D805,237	S	*	12/2017	Amato	D26/88
D817,922	S	*	5/2018	Hong	D14/210
D819,870	S	*	6/2018	Gambrel	D26/88
D820,501	S	*	6/2018	Amato	D26/88
D846,178	S	*	4/2019	Gambrel	D26/88
D880,040	S	*	3/2020	Pan	D26/72
D889,726	S	*	7/2020	Gismondi	D26/88
D905,315	S	*	12/2020	Li	D26/81
D939,758	S	*	12/2021	Li	D26/88
2003/0112630	A1	*	6/2003	Strelnieks	F21V 27/00 362/407
2010/0177511	A1	*	7/2010	Yu	F21V 15/01 362/217.05
2015/0226391	A1	*	8/2015	Sellam	F21S 8/068 362/249.02

OTHER PUBLICATIONS

Antoni Arola presents Palma at Punto Luz, available in <https://www.vibia.com/>, announced Year 2018 [online], [site visited May 25, 2022], Internet URL: <https://www.vibia.com/en/antoni-arola-presents-palma-at-punto-luz/> (Year: 2018).*

LED Modern Chandelier 1-Ring Circular Pendant Light, available in <https://www.amazon.com/>, posted Aug. 28, 2019, [online], [site visited May 25, 2022], Internet URL: https://www.amazon.com/Chandelier-Circular-Lighting-ROYAL-PEARL/dp/B09FLTCZMN/ref=sr_1_2_sspa?crid=CYLQAFKLYFFD&keywords=ring%25%E2%80%A6 (Year: 2019).*

* cited by examiner

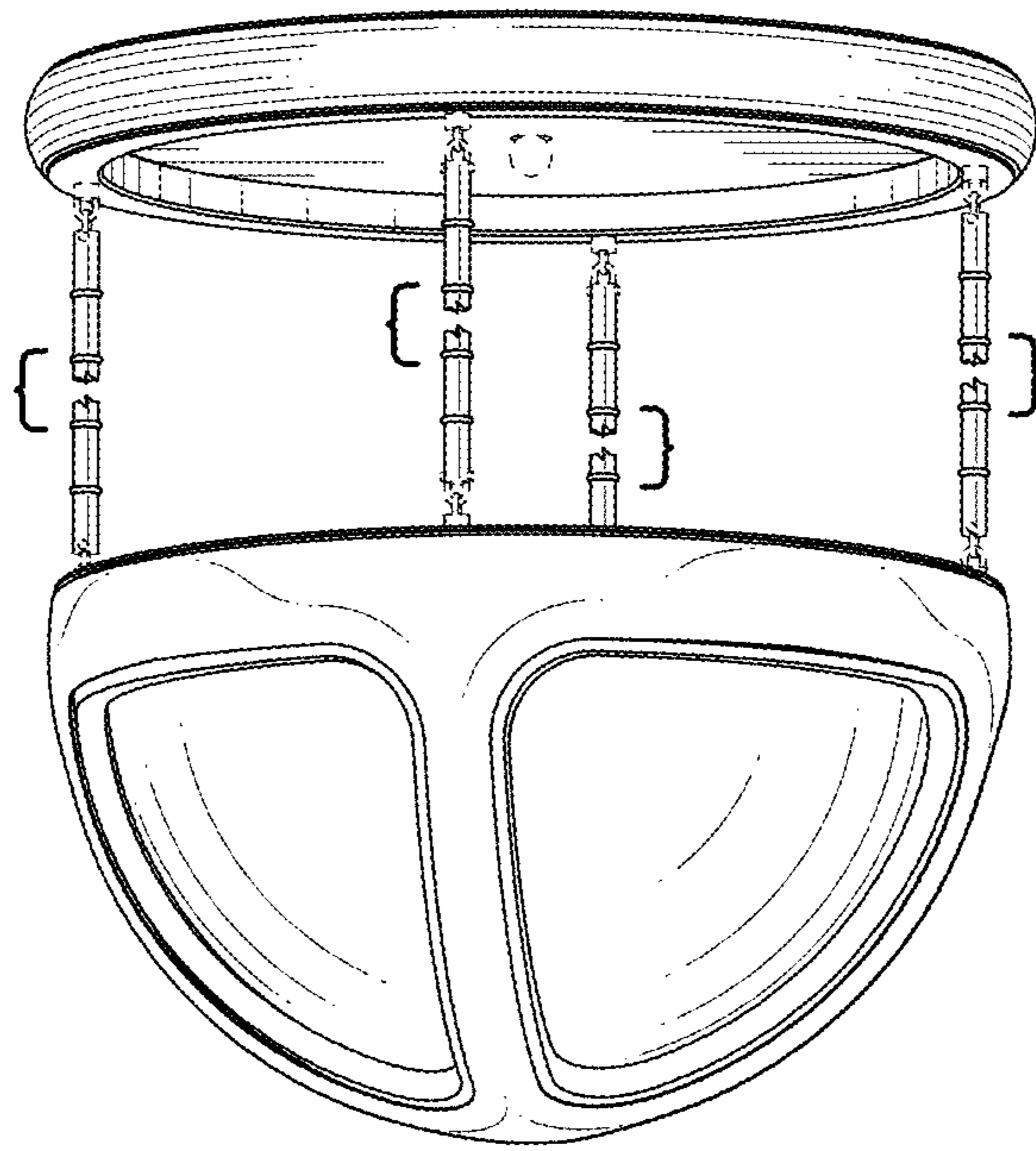


FIG. 1

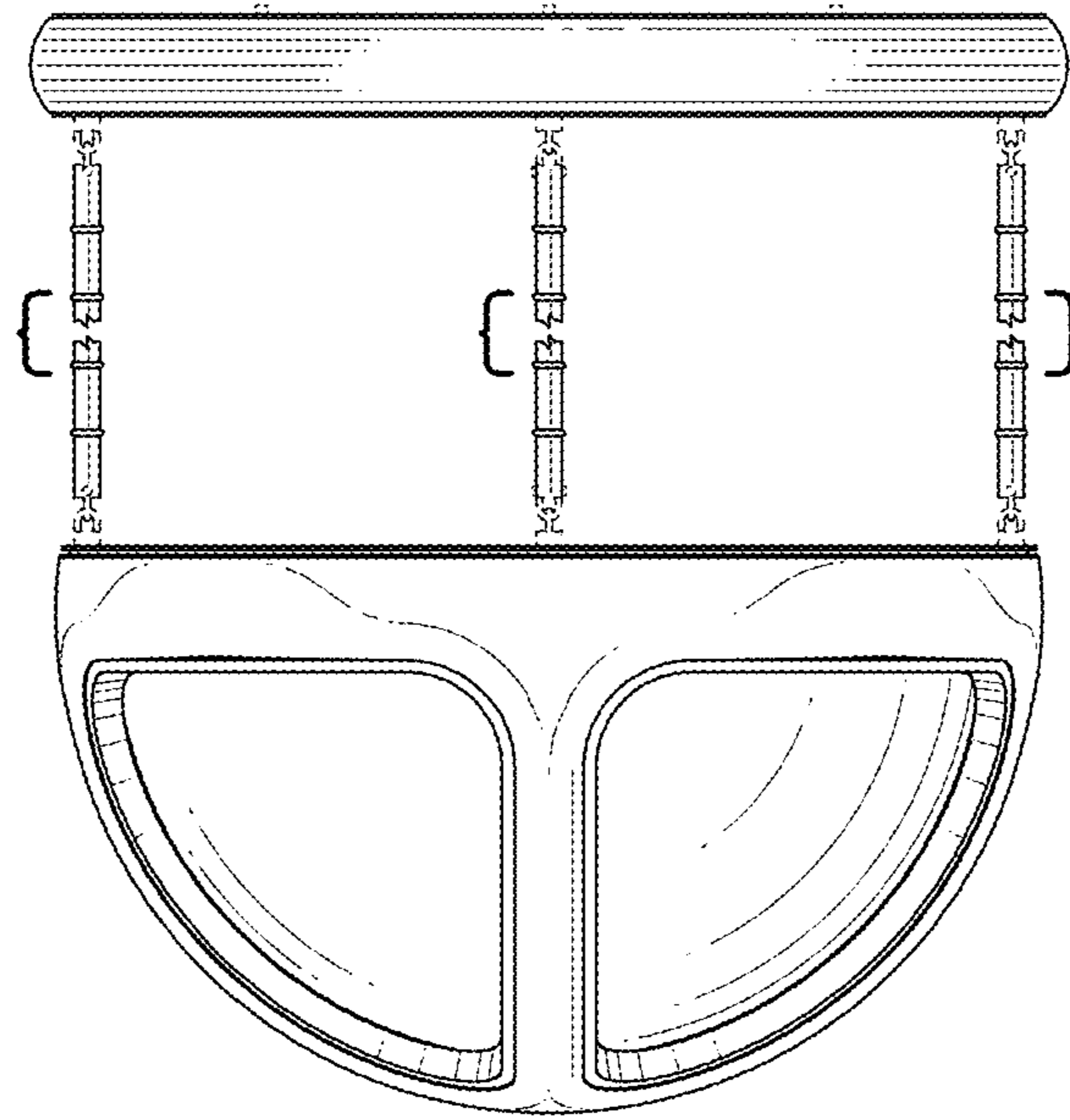


FIG. 2

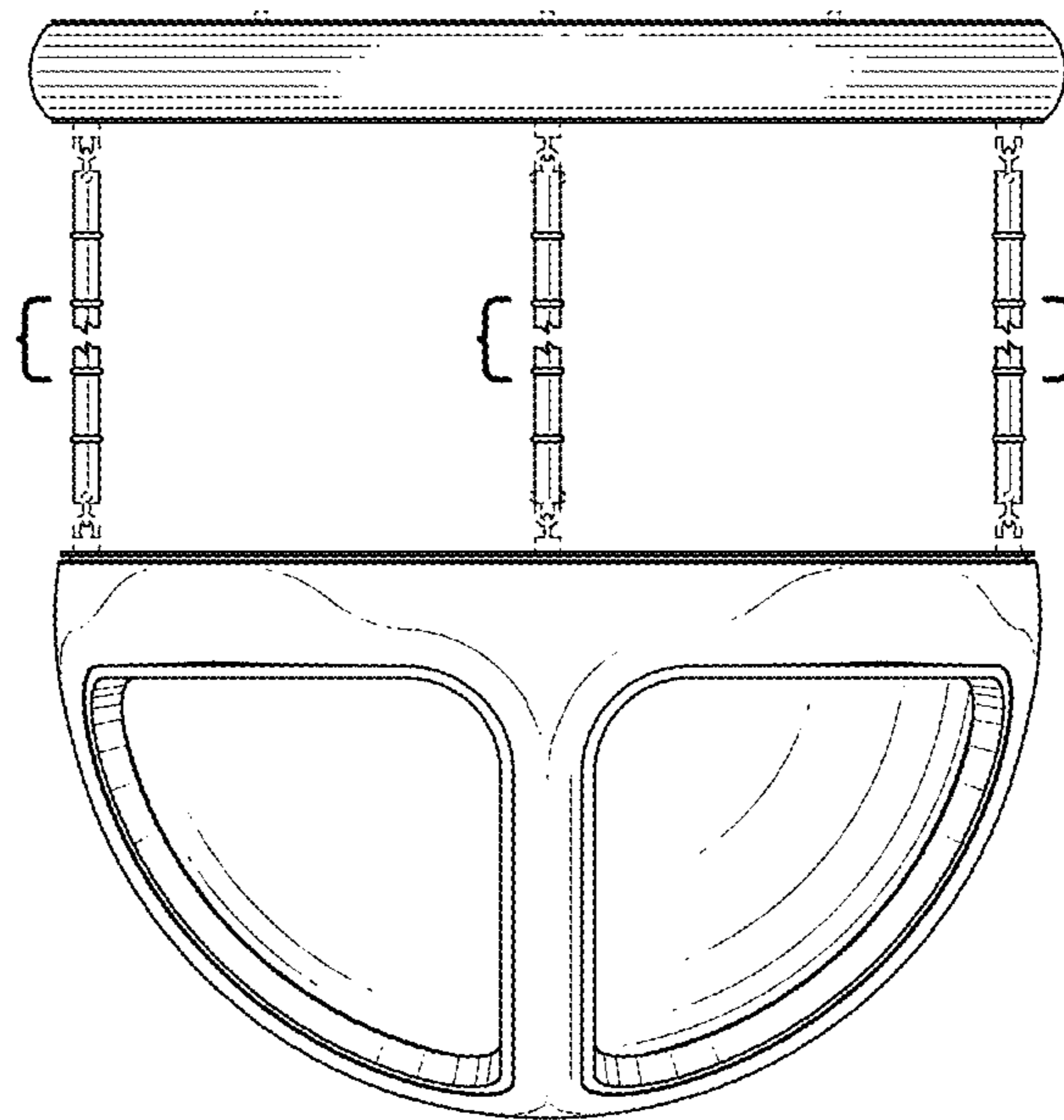


FIG. 3

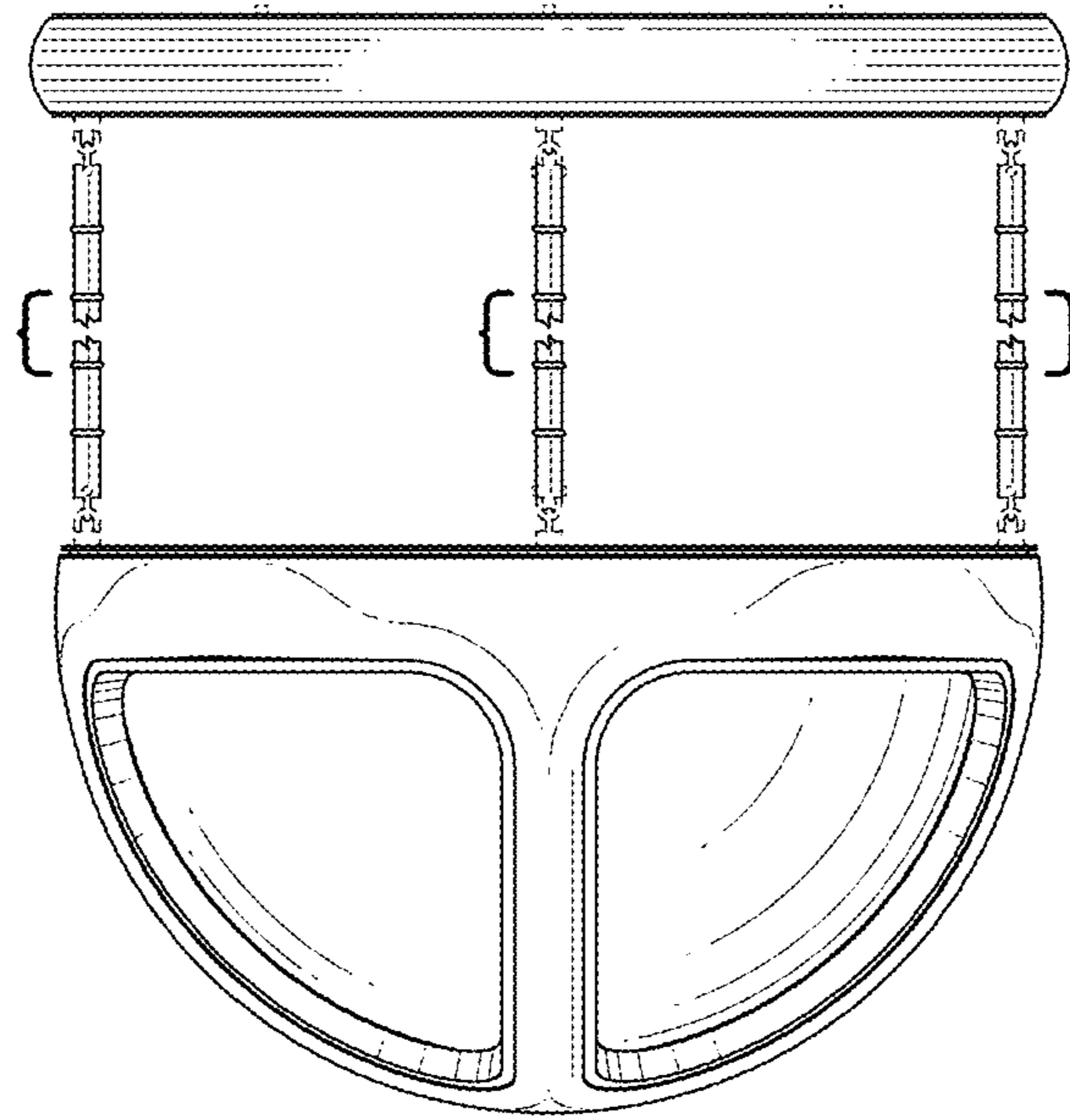


FIG. 4

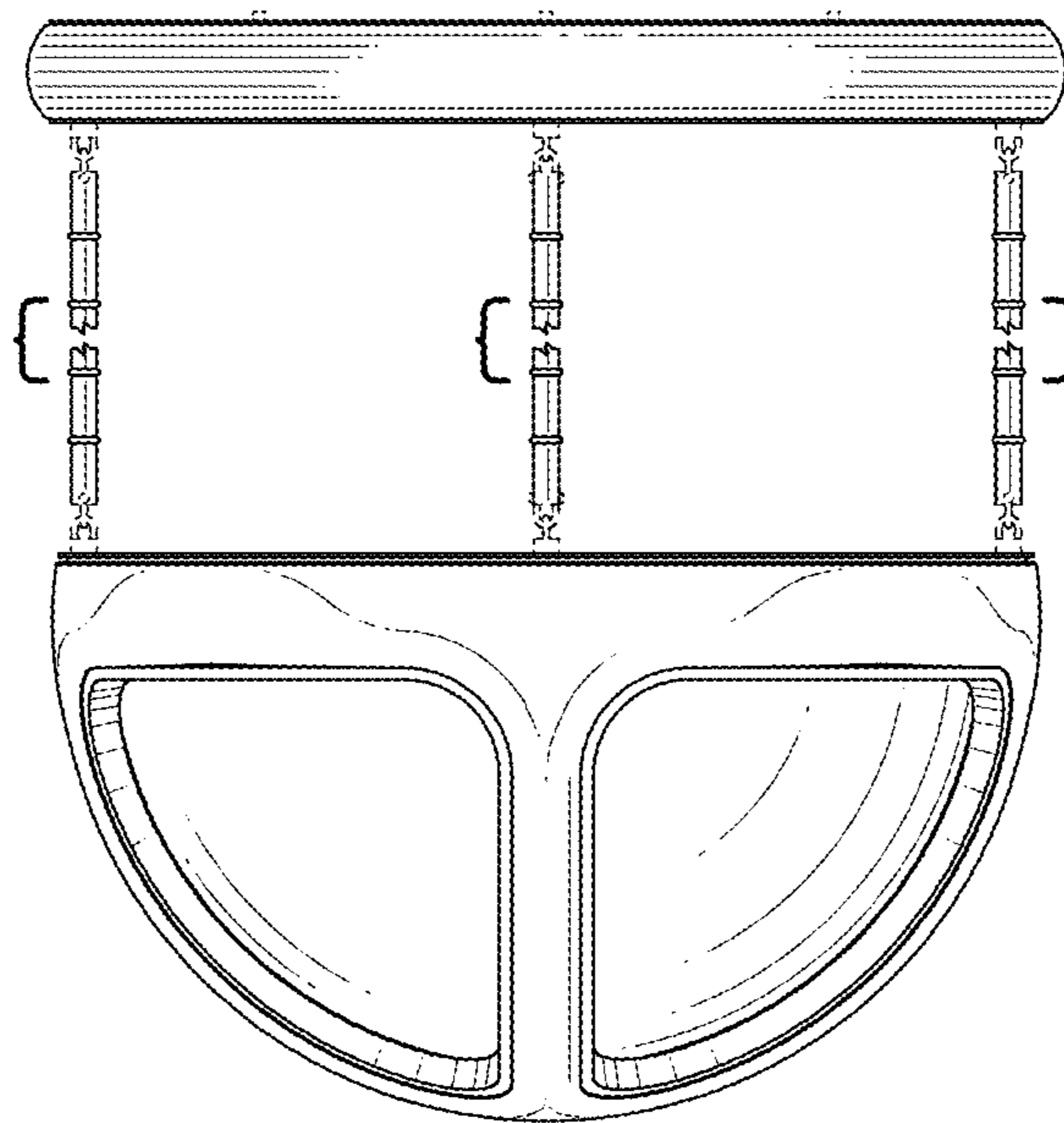


FIG. 5

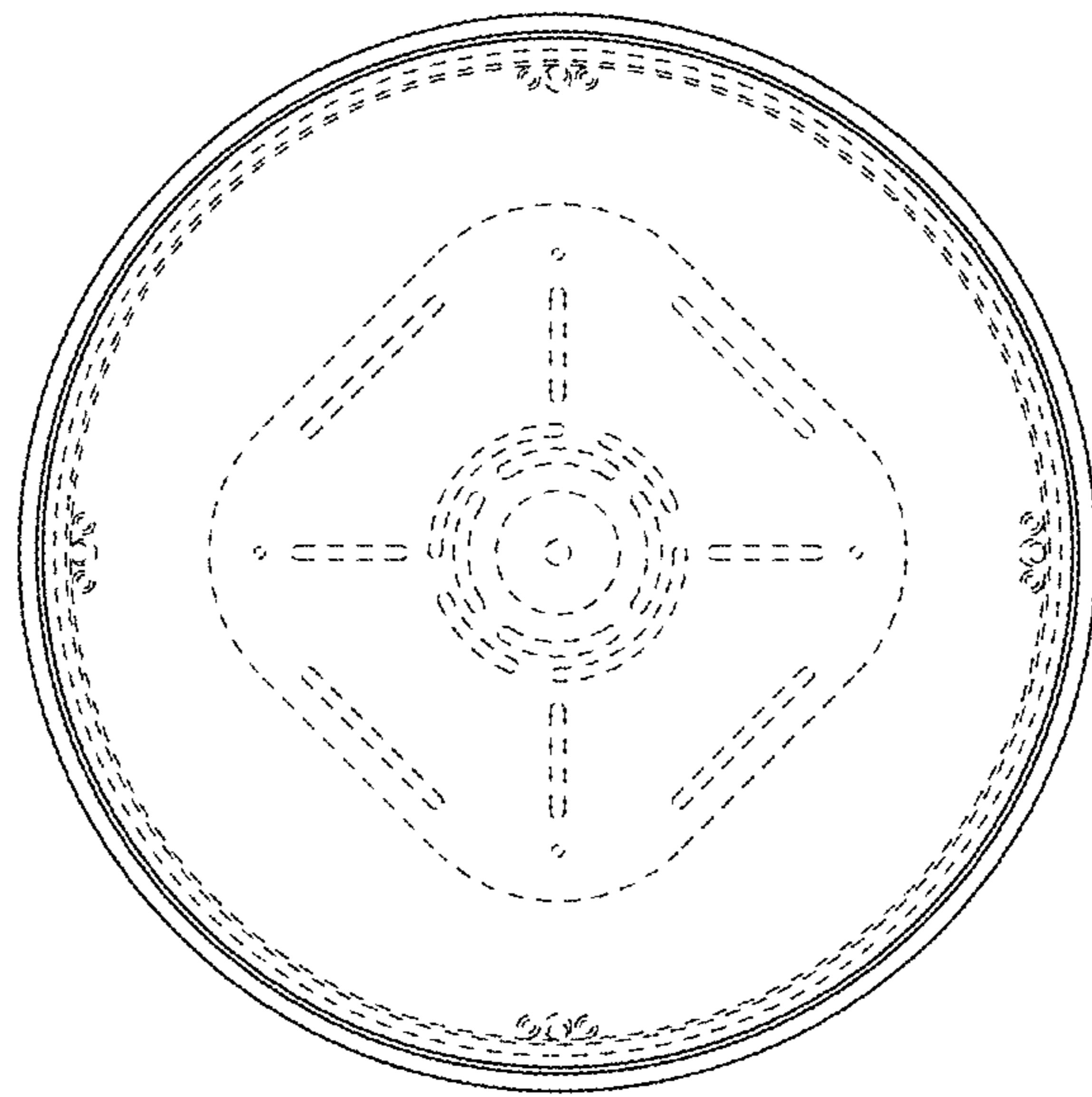


FIG. 6

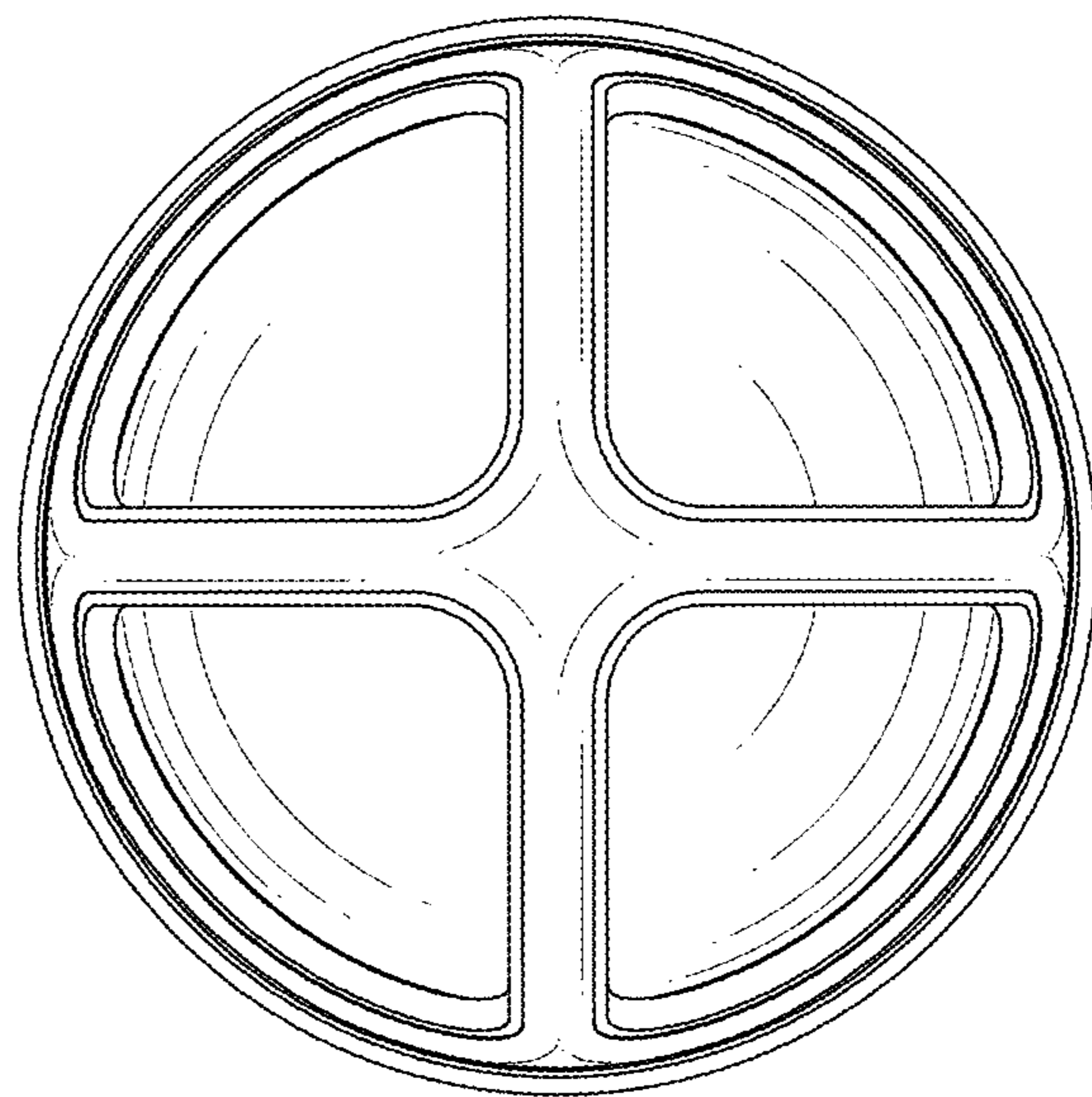


FIG. 7