



US00D963917S

(12) **United States Design Patent**
Zhou

(10) **Patent No.:** **US D963,917 S**
(45) **Date of Patent:** **** Sep. 13, 2022**

(54) **WALL LAMP**

(71) Applicant: **Shenzhen YEATION Supply Chain Management Co., Ltd**, Shenzhen (CN)

(72) Inventor: **Hailiang Zhou**, Shangrao (CN)

(73) Assignee: **Shenzhen YEATION Supply Chain Management Co., Ltd**, Shenzhen (CN)

(**) Term: **15 Years**

(21) Appl. No.: **29/824,385**

(22) Filed: **Jan. 24, 2022**

(51) **LOC (13) Cl.** **26-03**

(52) **U.S. Cl.**
USPC **D26/87; D26/86**

(58) **Field of Classification Search**
USPC **D26/72, 80, 85, 86, 87, 92**
CPC **F21S 8/03; F21S 8/033; F21S 8/036; F21S 8/038**

See application file for complete search history.

(56) **References Cited**

U.S. PATENT DOCUMENTS

D339,652 S *	9/1993	Segill	D26/86
D581,577 S *	11/2008	Baldele	D26/104
D816,881 S *	5/2018	Qiao	D26/86
D863,647 S *	10/2019	Chiu	D26/86
D887,617 S *	6/2020	Wang	D26/86
D888,316 S *	6/2020	Huang	D26/80
D917,767 S *	4/2021	Zheng	D26/86
D922,657 S *	6/2021	Zheng	D26/86
D924,461 S *	7/2021	Hu	D26/86
D924,462 S *	7/2021	Bai	D26/86
D939,128 S *	12/2021	Mei	D26/86
D939,129 S *	12/2021	Mei	D26/86

OTHER PUBLICATIONS

ZHLWIN Modern Chrome Crystal Bathroom Vanity Light ASIN: B09WLJXRBP. Available from amazon.com Mar. 27, 2022. (Year: 2022).*

ZHLWIN Modern Crystal Bathroom Vanity Light ASIN: B09SWP2MQ8. Available from amazon.com Feb. 19, 2022. (Year: 2022).*

LMQNINE Modern Crystal Wall Lamp ASIN: B09DYYP3W9. Available from amazon.com Aug. 30, 2021. (Year: 2021).*

* cited by examiner

Primary Examiner — Clare E Heflin

(74) *Attorney, Agent, or Firm* — Zhihua Han; Wen IP LLC

(57) **CLAIM**

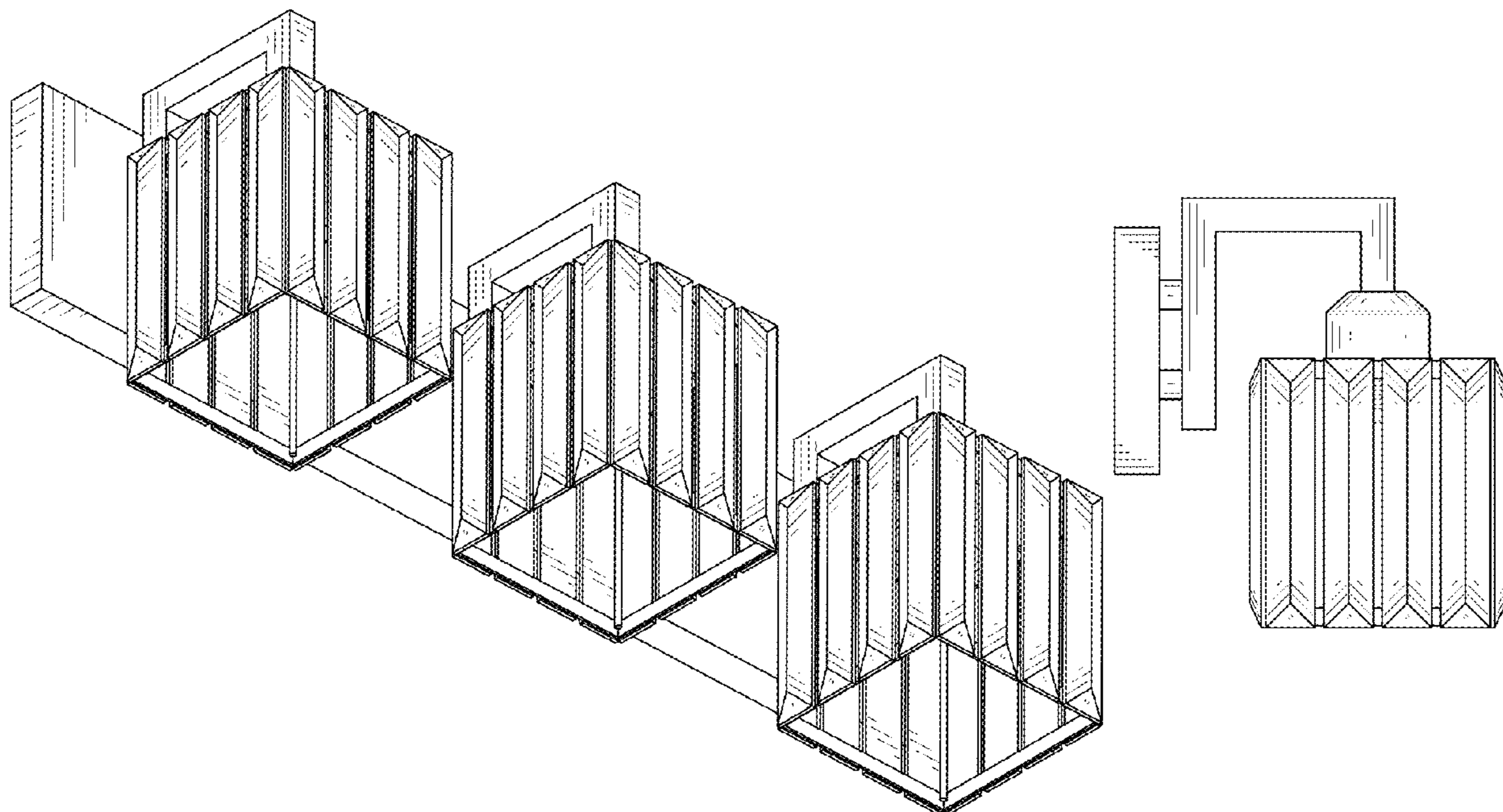
The ornamental design for a wall lamp, as shown and described.

DESCRIPTION

FIG. 1 is a first perspective view of a wall lamp showing my new design;
FIG. 2 is a second perspective view thereof;
FIG. 3 is a front view thereof;
FIG. 4 is a back view thereof;
FIG. 5 is a left side view thereof;
FIG. 6 is a right side view thereof;
FIG. 7 is a top view thereof; and,
FIG. 8 is a bottom view thereof.

The broken lines shown in the drawings depict portions of the wall lamp that form no part of the claimed design.

1 Claim, 8 Drawing Sheets



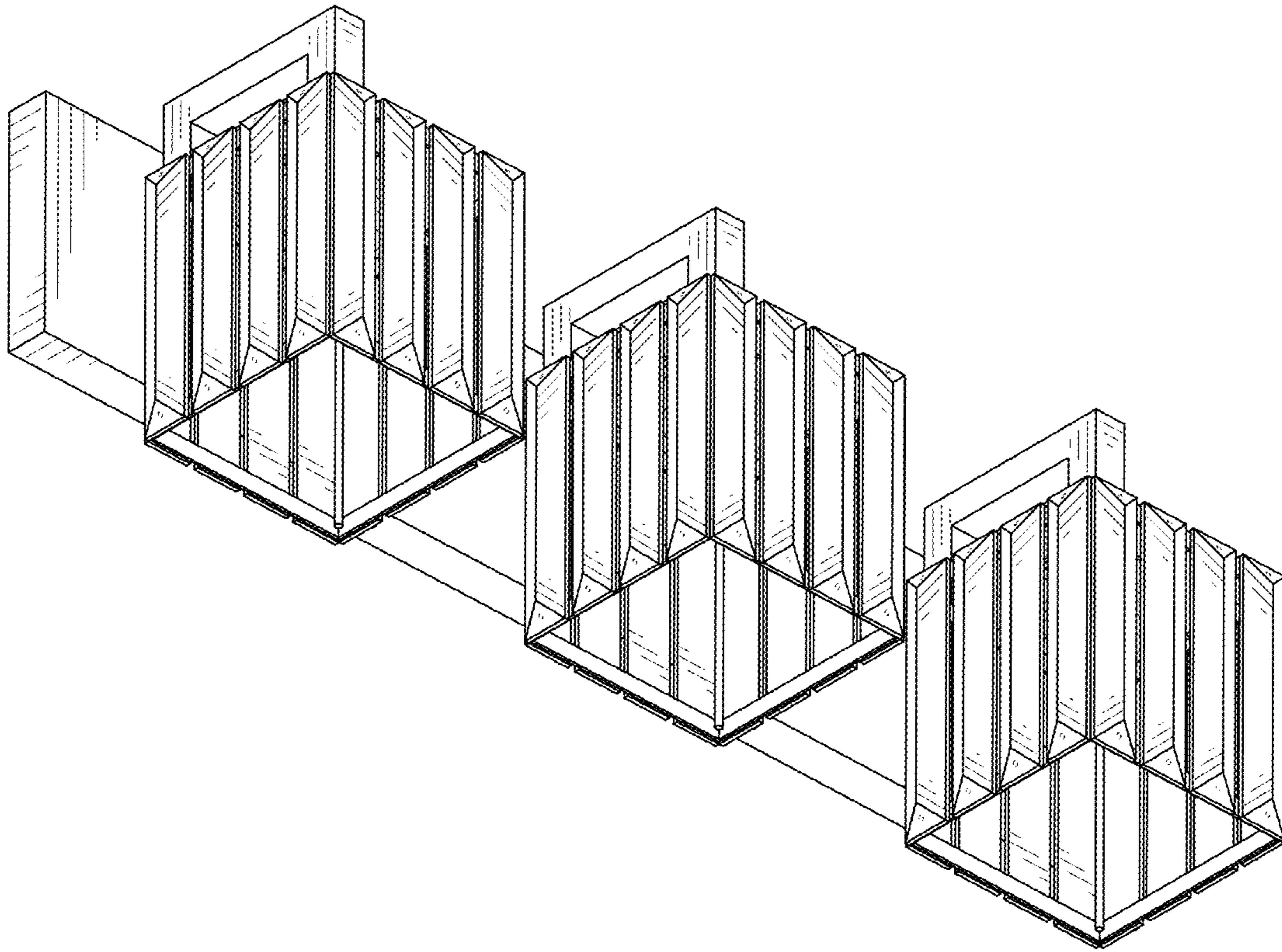


FIG. 1

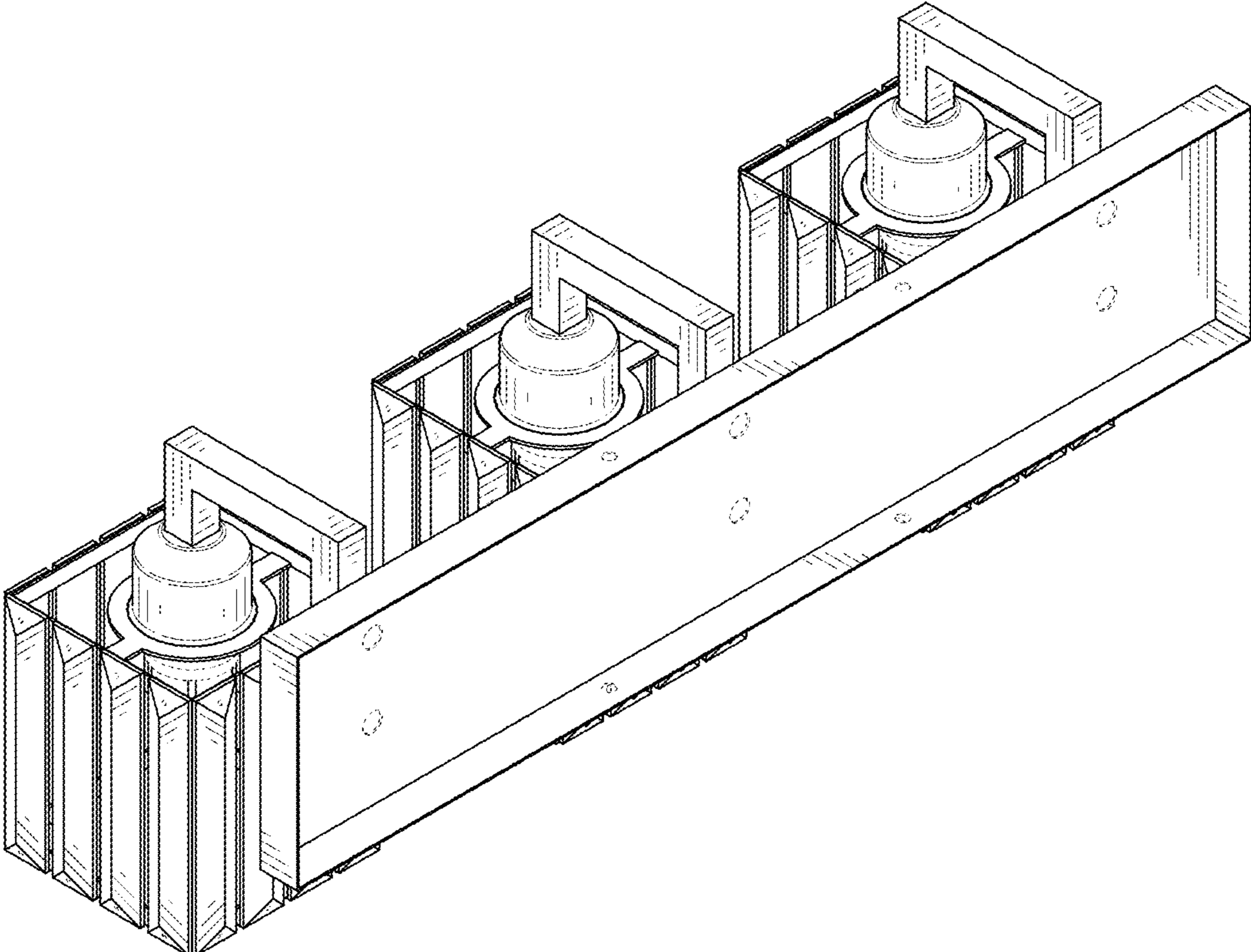


FIG. 2

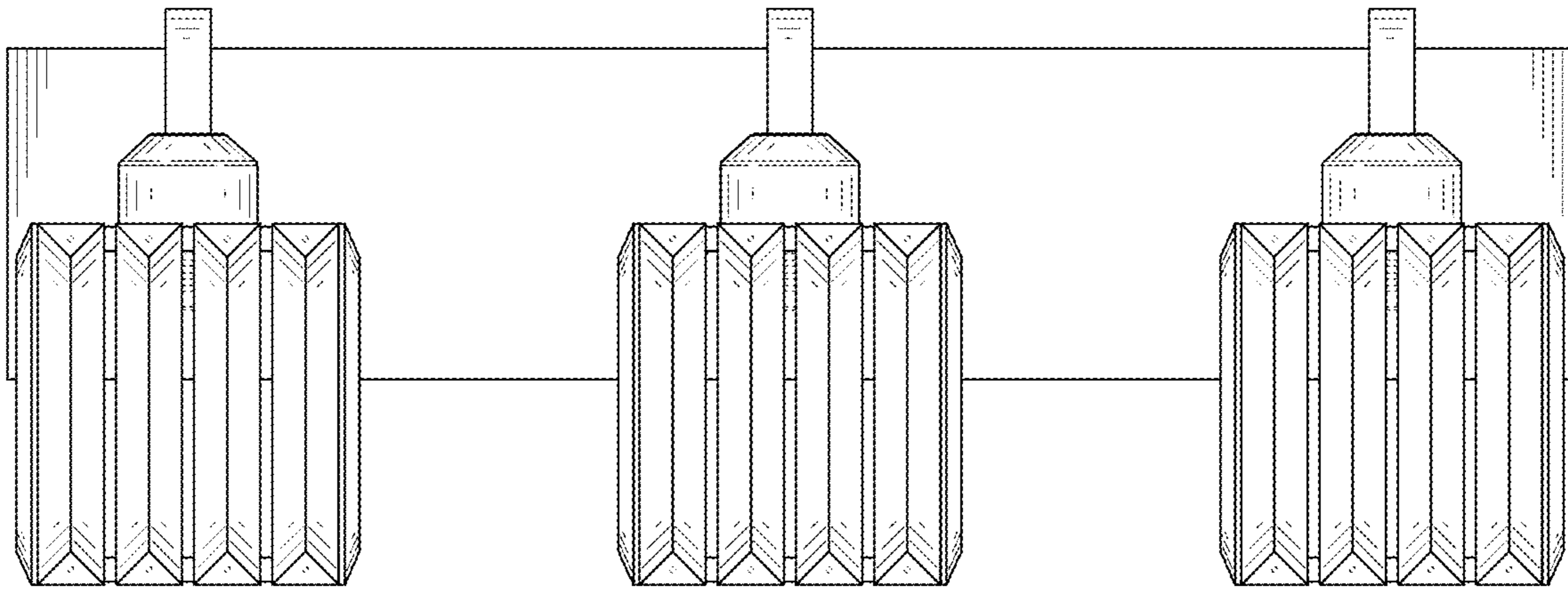


FIG. 3

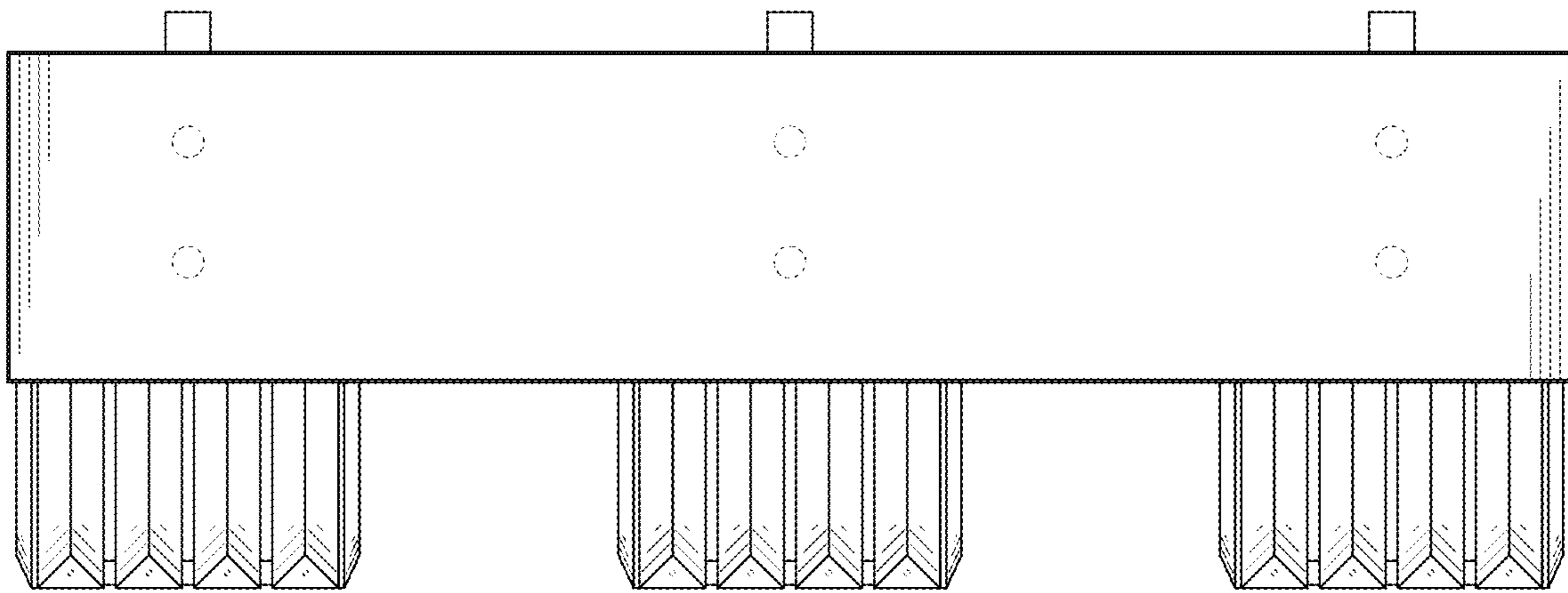


FIG. 4

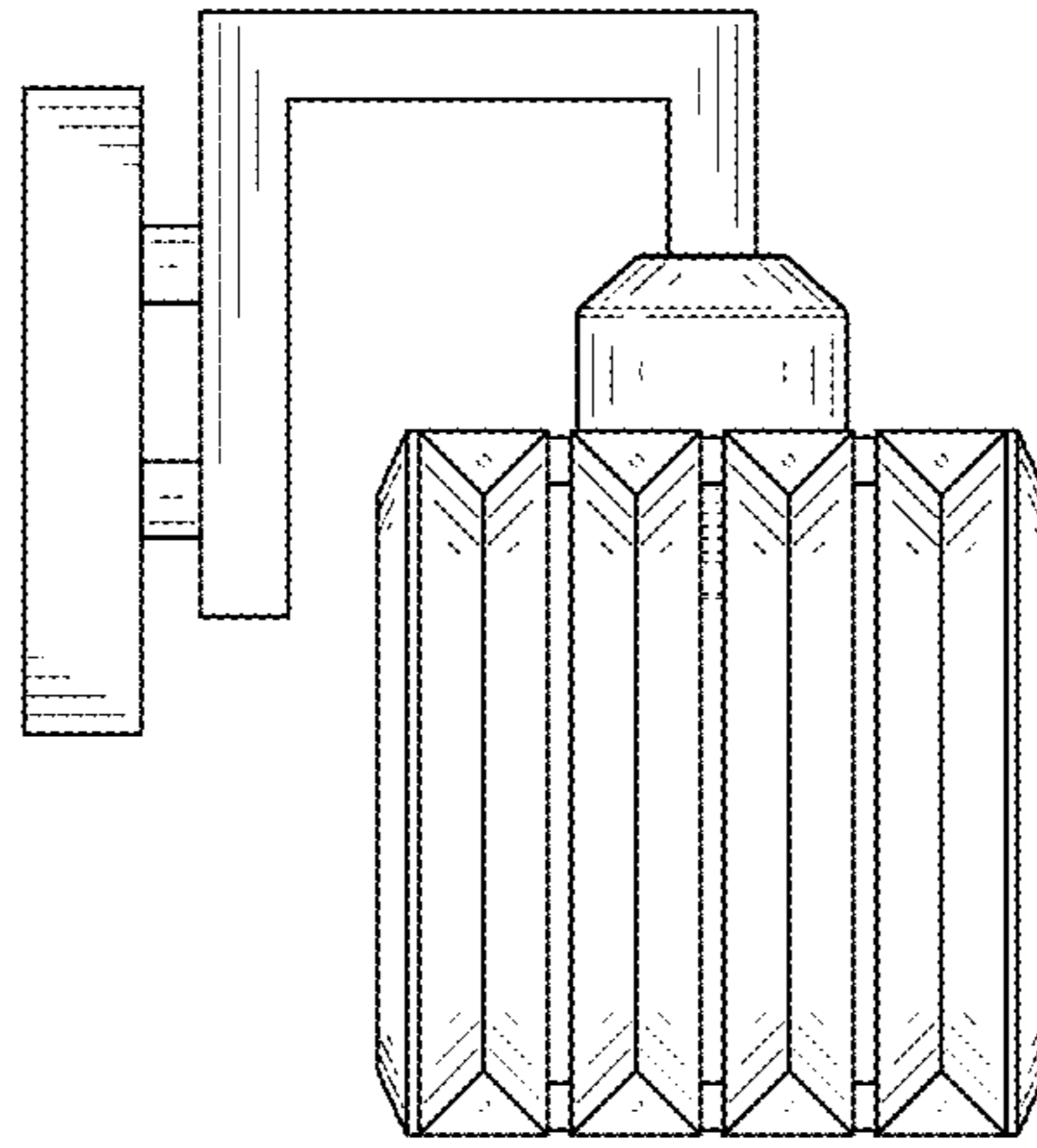


FIG. 5

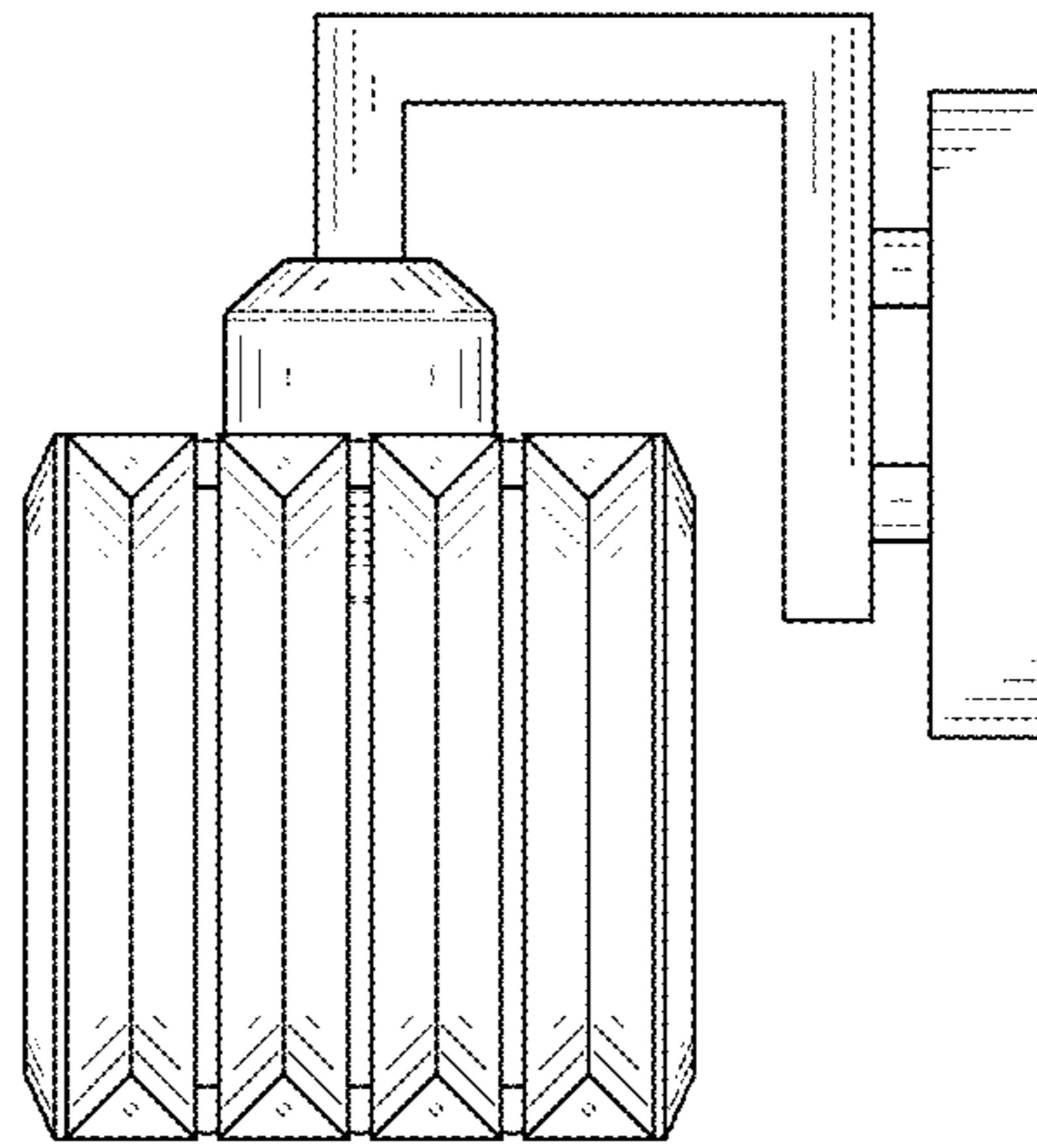


FIG. 6

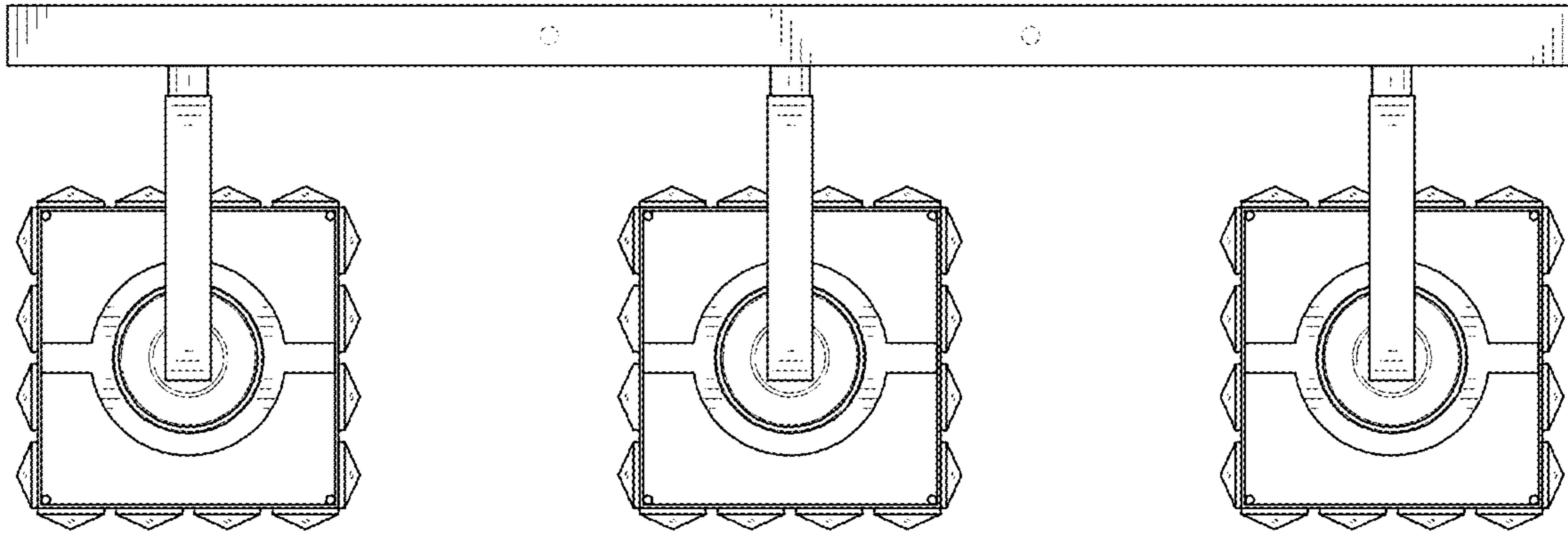


FIG. 7

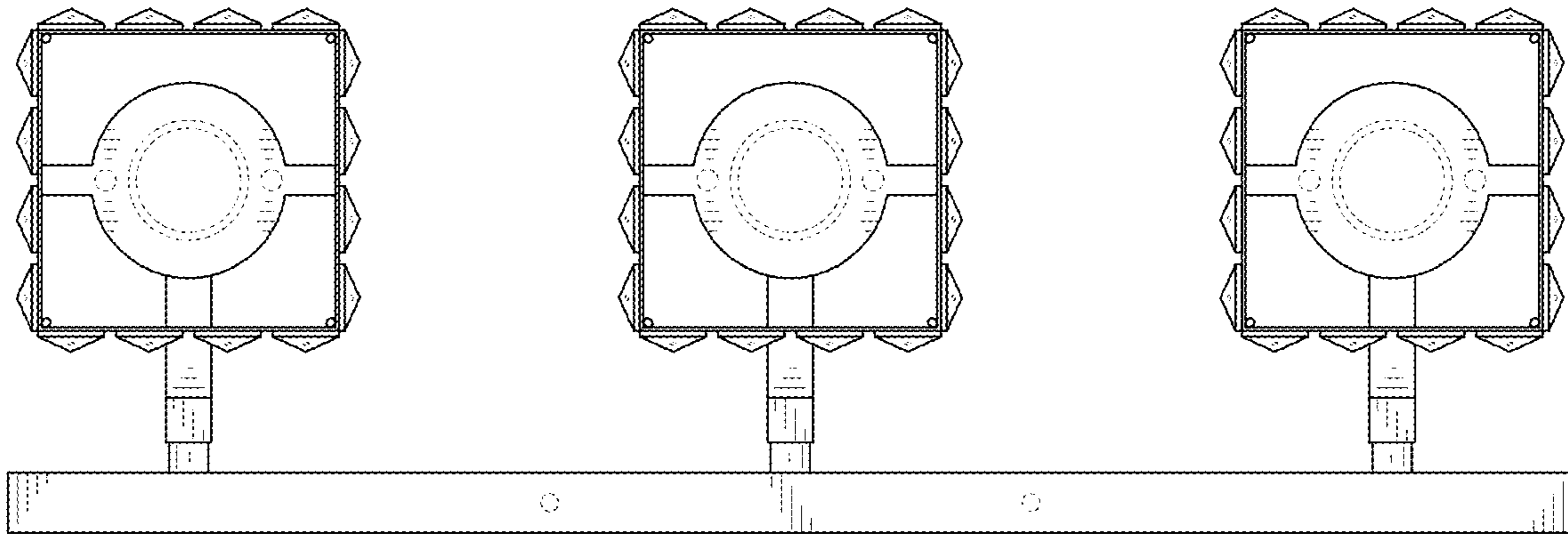


FIG. 8