



US00D963916S

(12) **United States Design Patent**
Gao

(10) **Patent No.:** **US D963,916 S**

(45) **Date of Patent:** **** Sep. 13, 2022**

(54) **LAMP**

(71) Applicant: **Yang Gao**, Xiaogan (CN)

(72) Inventor: **Yang Gao**, Xiaogan (CN)

(**) Term: **15 Years**

(21) Appl. No.: **29/820,628**

(22) Filed: **Dec. 22, 2021**

(51) **LOC (13) Cl.** **D26-03**

(52) **U.S. Cl.**
USPC **D26/86; D26/80**

(58) **Field of Classification Search**
USPC D26/72, 80, 85, 86, 87, 92
CPC .. F21S 8/033; F21S 8/035; F21S 8/036; F21S
8/046
See application file for complete search history.

(56) **References Cited**

U.S. PATENT DOCUMENTS

D850,665 S	6/2019	Pan	
D881,441 S *	4/2020	Van Den Akker	D26/137
D898,269 S *	10/2020	Huang	D26/86
D901,747 S	11/2020	Lin	
D907,275 S *	1/2021	Chen	D26/86
D908,945 S *	1/2021	Zheng	D26/86
D926,349 S *	7/2021	Lin	D26/86
D934,485 S *	10/2021	Ou	D26/80
D934,486 S *	10/2021	Ou	D26/80
D946,809 S *	3/2022	Mei	D26/86
D950,829 S *	5/2022	Lin	D26/86
D953,599 S *	5/2022	Jiang	D26/86
2013/0077295 A1 *	3/2013	Hayashi	H01L 33/00 362/217.05

OTHER PUBLICATIONS

SOLFART Oval Dimmable Vanity Light ASIN: B0956VPFMY. Available from amazon.com May 18, 2021. (Year: 2021).*

SOLFART Square Dimmable Bathroom Vanity Light ASIN: B099ZMVTMF. Available from amazon.com Jul. 21, 2021. (Year: 2021).*

SOLFART Bundle LED Black Modern 4 Light with 5 Light Bathroom Vanity Light fixtures Over Mirror(9551 Series). ASIN: B09P4R4WPB. Available from amazon.com Dec. 24, 2021. (Year: 2021).*

LIGHTINN Bathroom Light Fixture ASIN: B09X19MG2G. Available from amazon.com Apr. 1, 2022. (Year: 2022).*

* cited by examiner

Primary Examiner — Clare E Heflin

(74) *Attorney, Agent, or Firm* — Rumit Ranjit Kanakia

(57) **CLAIM**

The ornamental design for a lamp, as shown and described.

DESCRIPTION

FIG. 1 is a perspective view of a lamp showing my new design;

FIG. 2 is another perspective view thereof;

FIG. 3 is a front elevational view thereof;

FIG. 4 is a rear elevational view thereof;

FIG. 5 is a left side elevational view thereof;

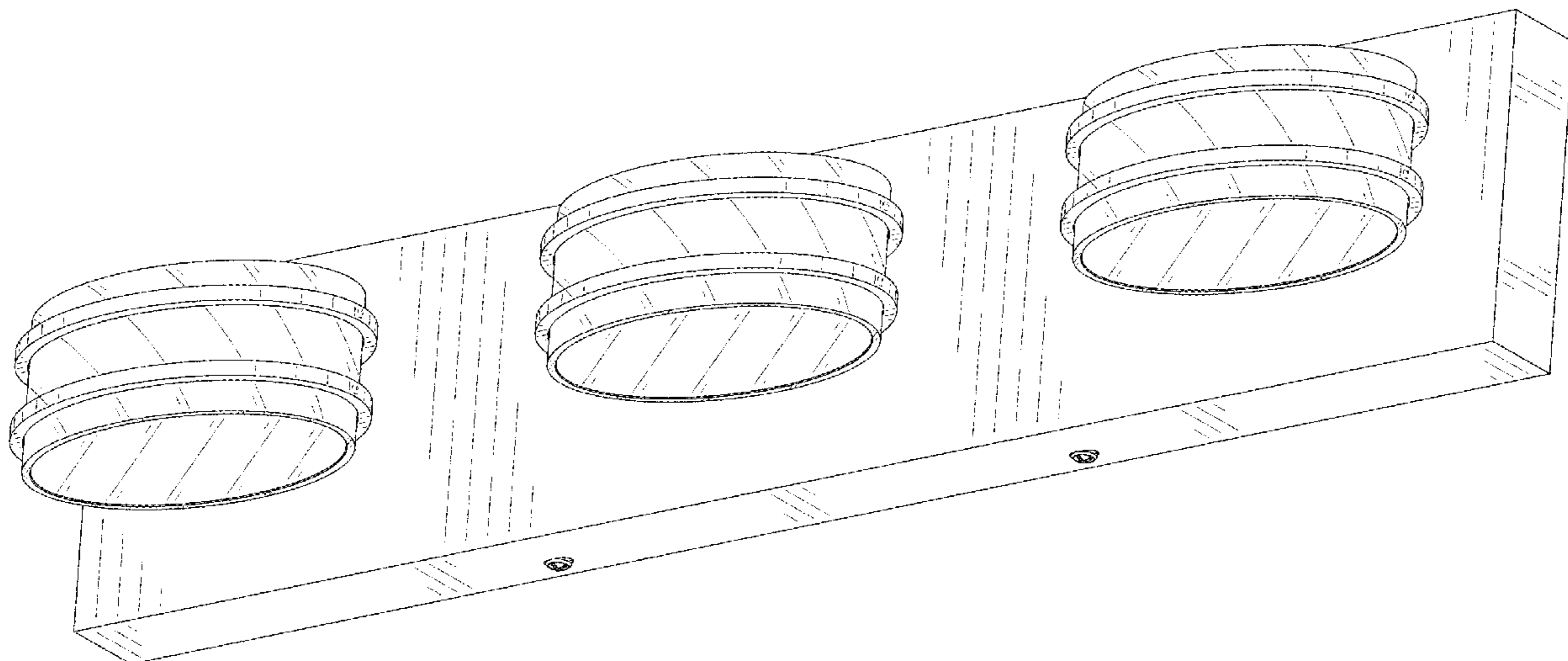
FIG. 6 is a right side elevational view thereof;

FIG. 7 is a top plan view thereof; and,

FIG. 8 is a bottom plan view thereof.

The broken lines in the drawings depict portions of the lamp that form no part of the claimed design.

1 Claim, 8 Drawing Sheets



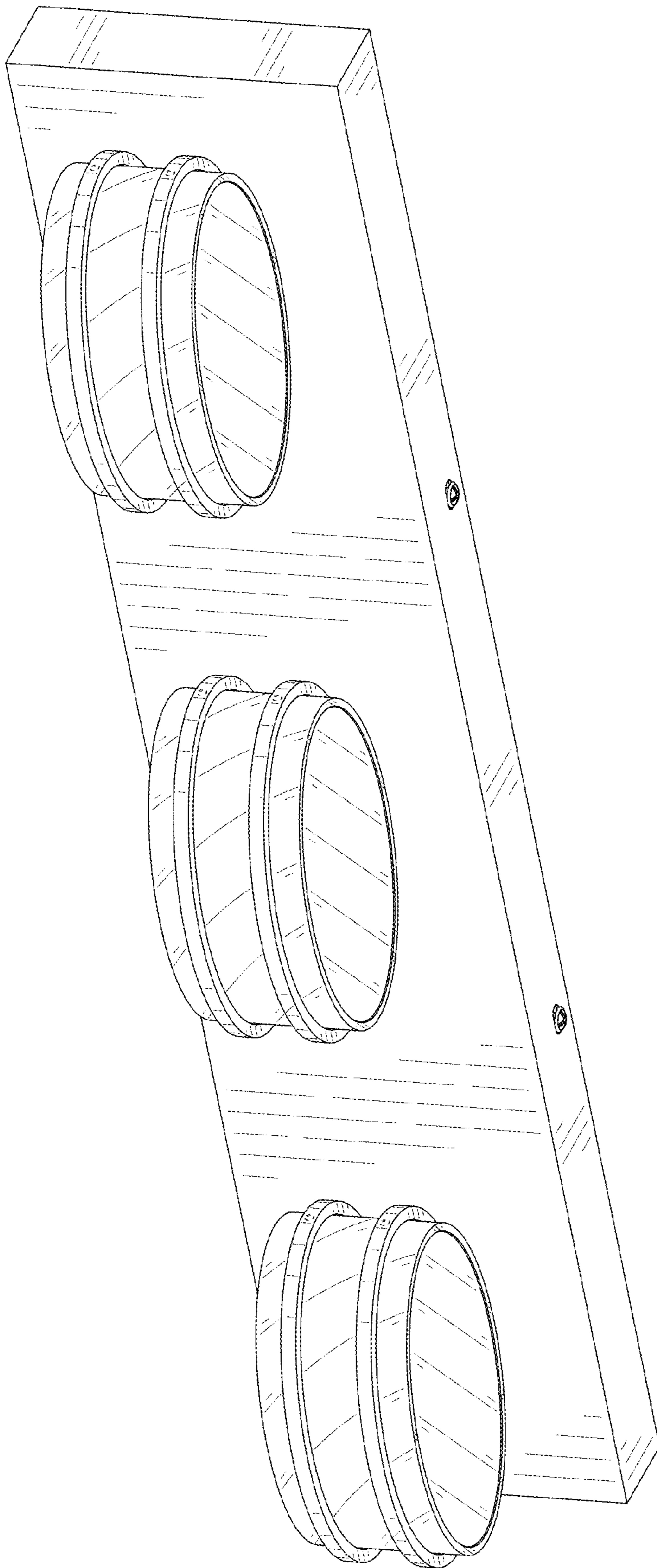


FIG. 1

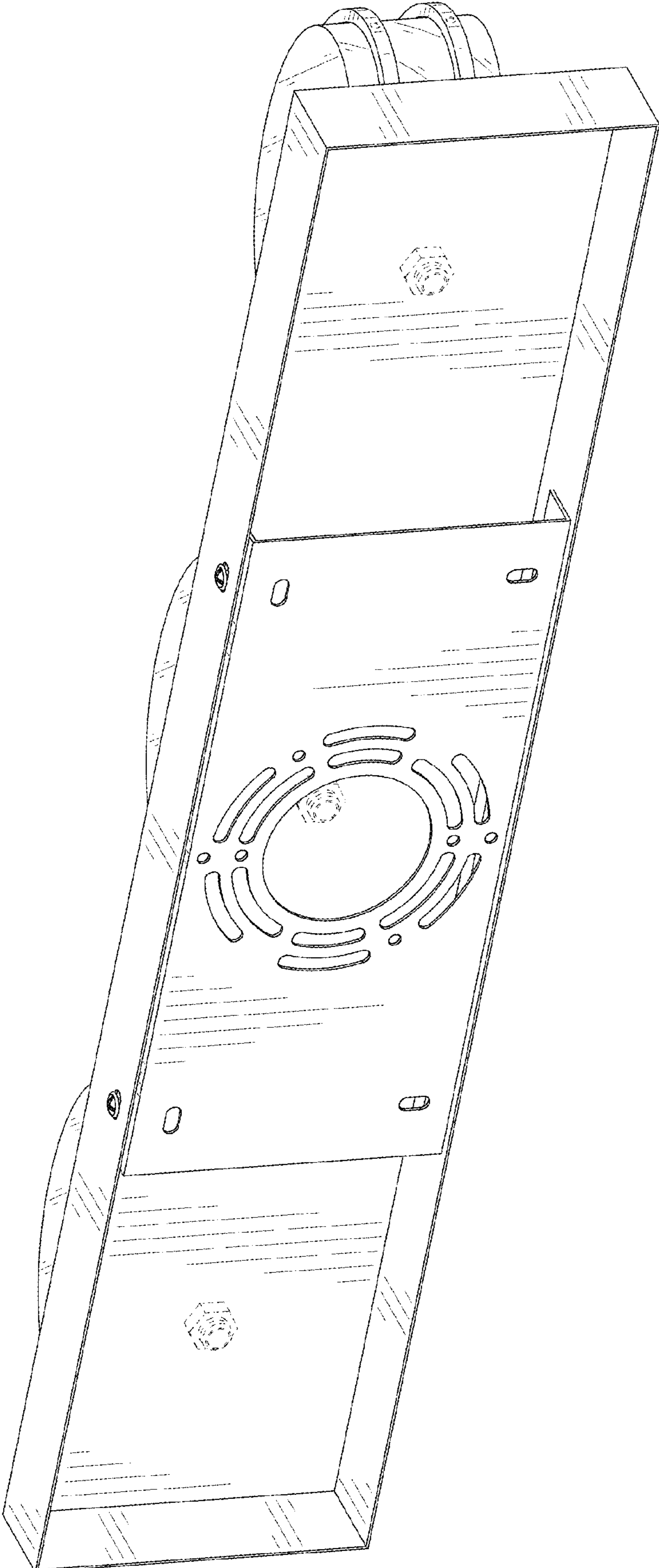


FIG. 2

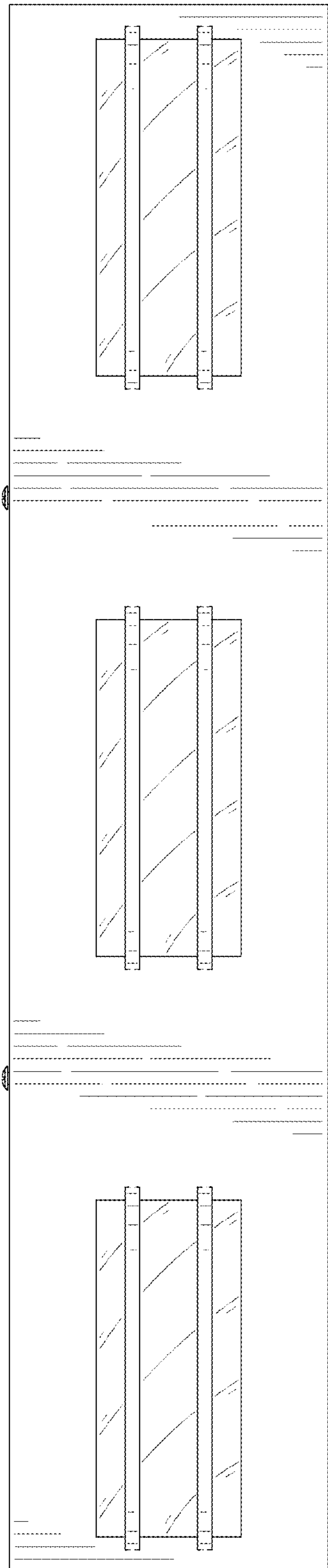


FIG. 3

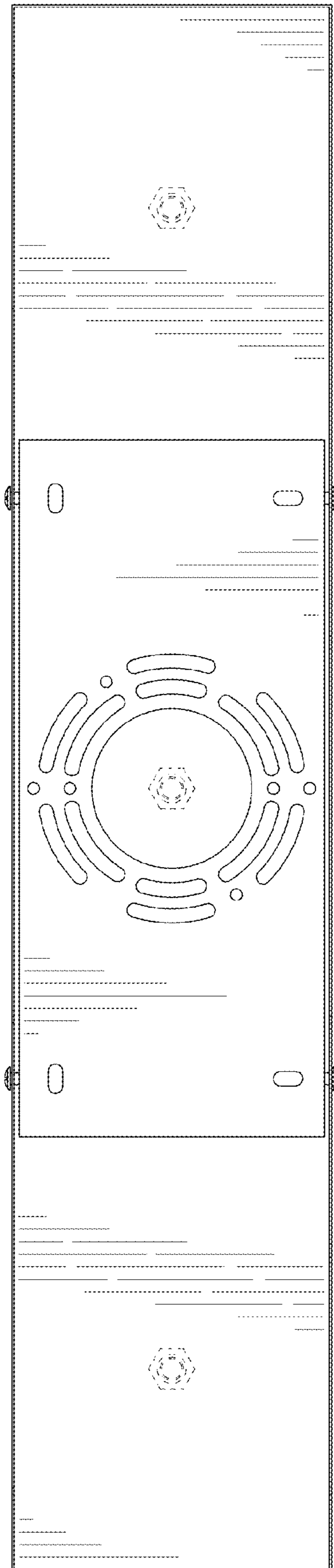


FIG. 4

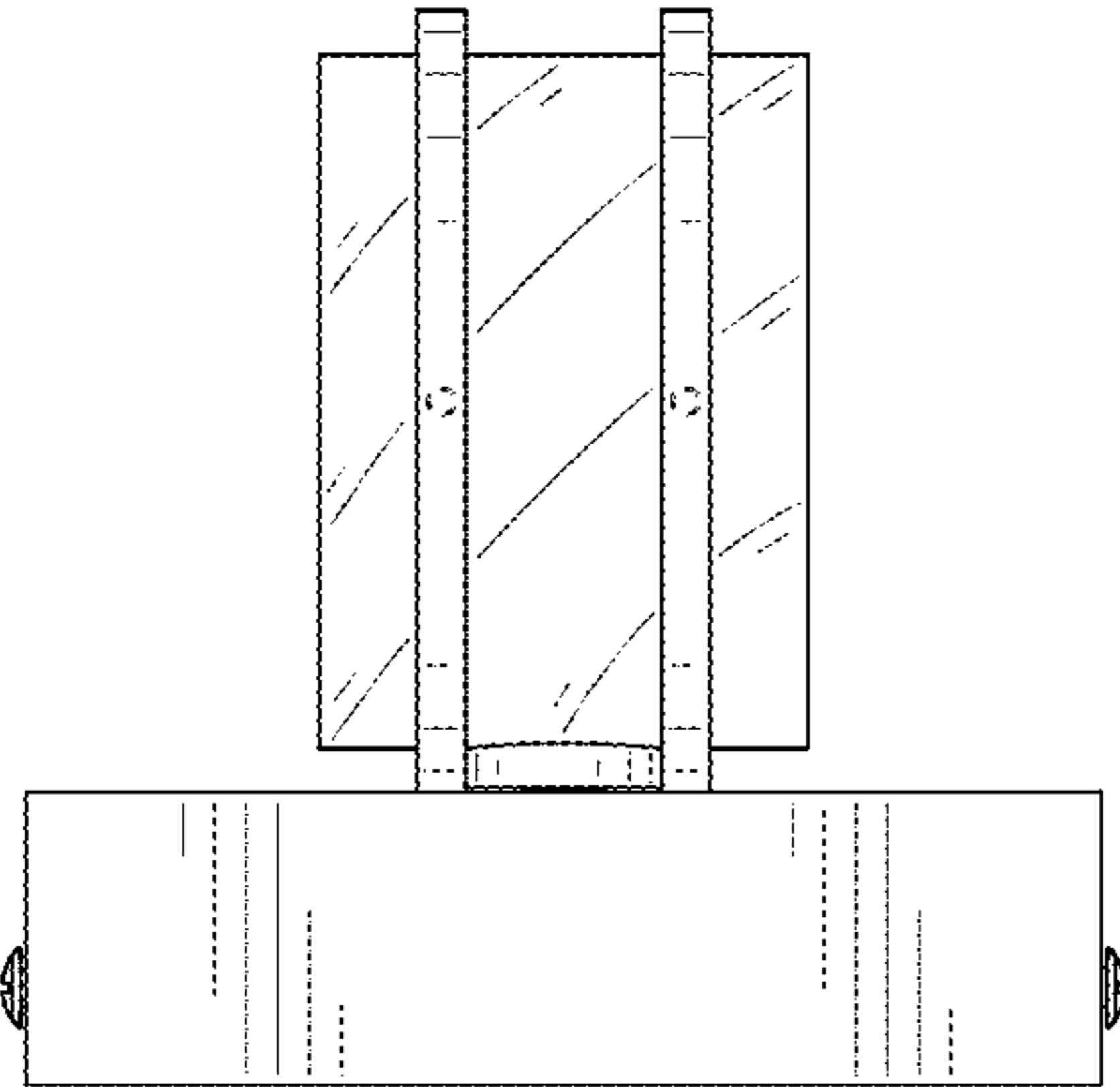


FIG. 5

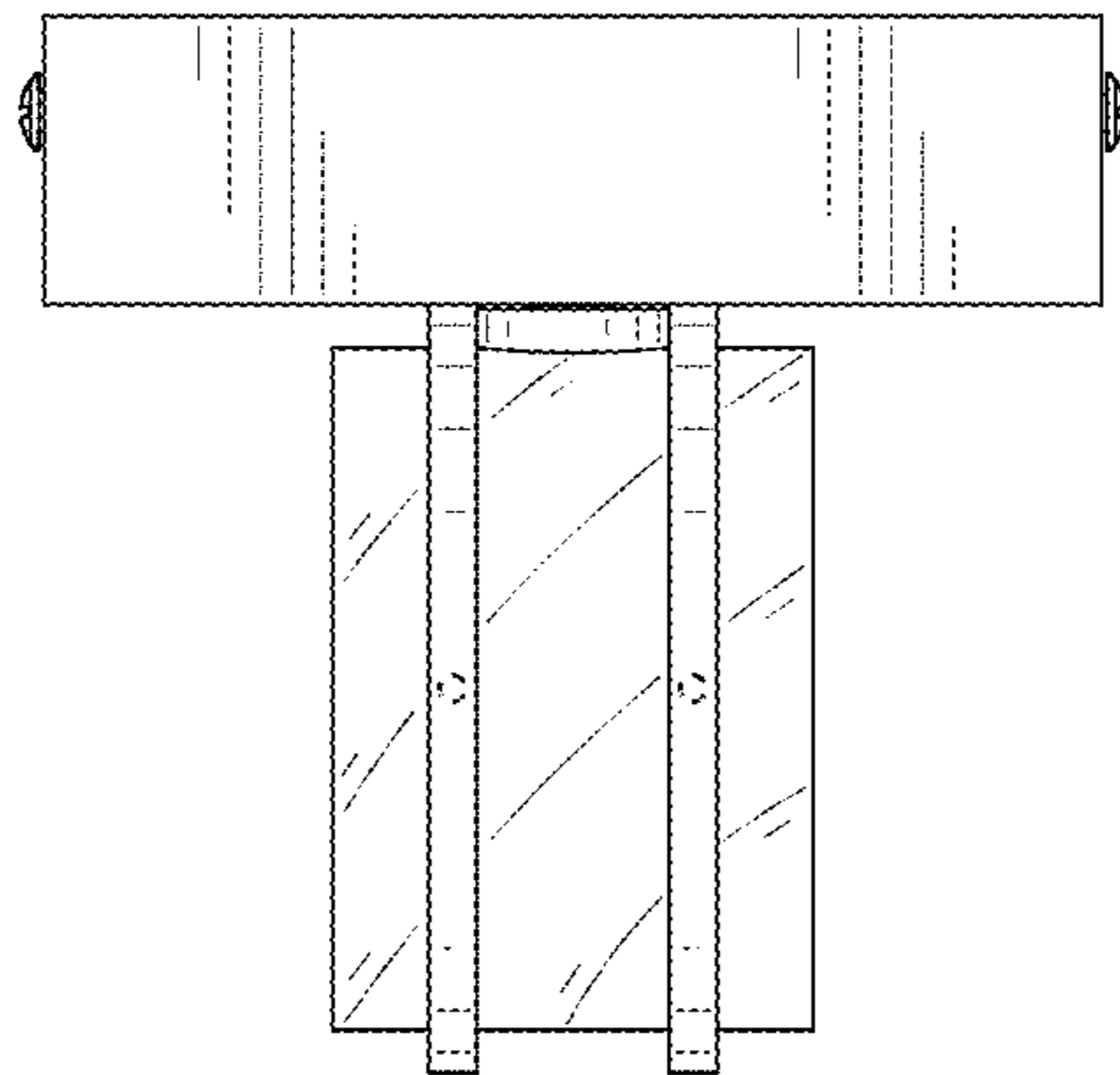


FIG. 6

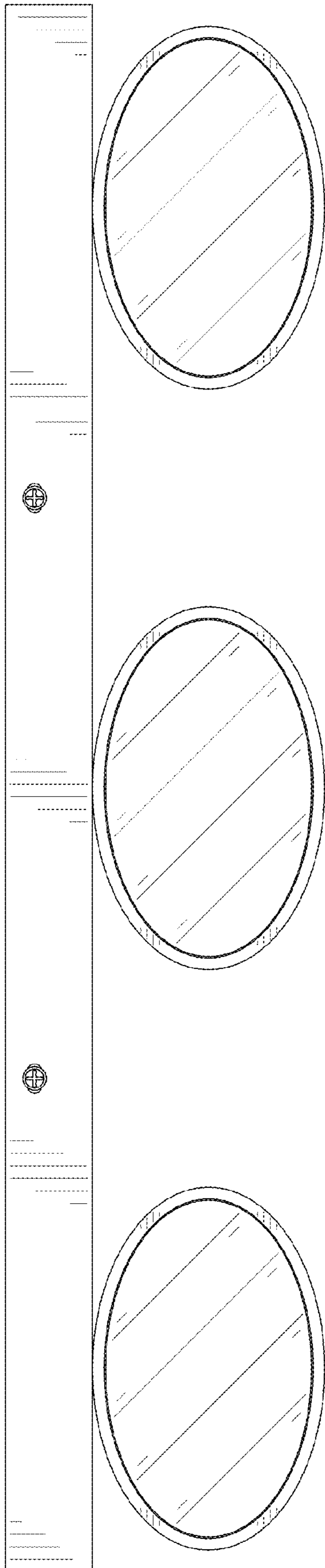


FIG. 7

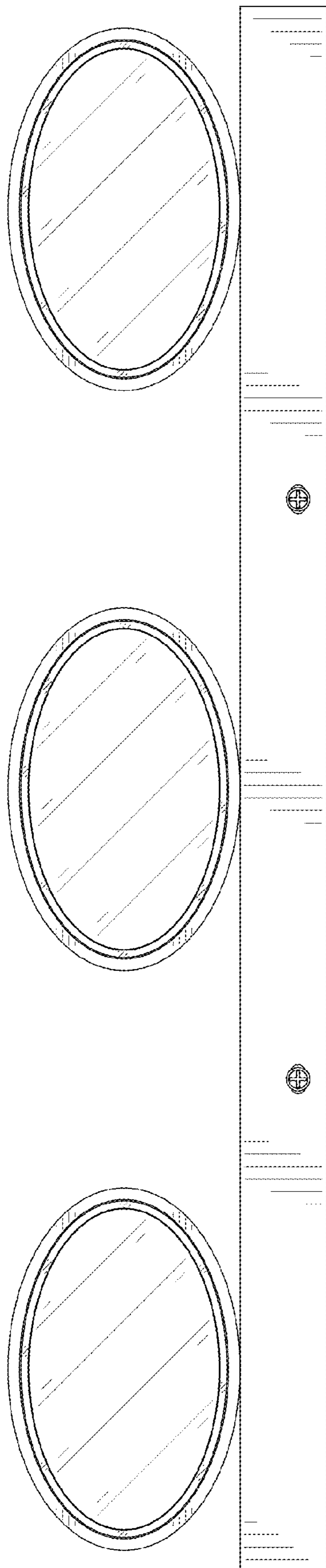


FIG. 8