



US00D963914S

(12) **United States Design Patent** (10) **Patent No.:** **US D963,914 S**
Shen (45) **Date of Patent:** **** Sep. 13, 2022**

(54) **LIGHT FIXTURE**

D921,274 S * 6/2021 Jiang D26/86
D923,235 S * 6/2021 Hu D26/86
D924,461 S * 7/2021 Hu D26/86

(71) Applicant: **Nanningshiguimingxing-shangmaoyouxiangongsi**, Nanningshi (CN)

(72) Inventor: **Wei Shen**, Foshan (CN)

(73) Assignee: **Nanningshiguimingxing-shangmaoyouxiangongsi**, Nanningshi (CN)

(**) Term: **15 Years**

(21) Appl. No.: **29/778,346**

(22) Filed: **Apr. 13, 2021**

(51) **LOC (13) Cl.** **26-03**

(52) **U.S. Cl.**
USPC **D26/86; D26/87**

(58) **Field of Classification Search**
USPC D26/72, 80, 84-88, 92
CPC .. F21S 8/033; F21S 8/035; F21S 8/036; F21S 8/046
See application file for complete search history.

(56) **References Cited**

U.S. PATENT DOCUMENTS

D443,381 S	*	6/2001	Williams	D26/87
D464,758 S	*	10/2002	Lee	D26/80
D575,437 S	*	8/2008	Bickler	D26/86
D580,088 S	*	11/2008	Orozco	D26/81
D721,199 S	*	1/2015	Gilbert	D26/86
D754,906 S	*	4/2016	Smith	D26/80
D770,664 S	*	11/2016	Orozco	D26/86
D833,666 S	*	11/2018	Orozco	D26/86
D838,402 S	*	1/2019	Sonneman	D26/86
D845,533 S	*	4/2019	Tomlinson	D26/87
D882,149 S	*	4/2020	Lin	D26/86
D897,024 S	*	9/2020	Gong	D26/81
D906,577 S	*	12/2020	Gardner	D26/80
D912,877 S	*	3/2021	Reynolds	
D913,565 S	*	3/2021	Yu	D26/87
D916,352 S	*	4/2021	Zeng	D26/86

OTHER PUBLICATIONS

MELUCEE 6-light Black Vanity Light Fixture, ASIN: B0871TH4BV available from amazon.com May 26, 2020. (Year: 2020).*
XINCAN Farmhouse 5-Light Bathroom Vanity Lighting, ASIN: B08ZY8WRGK available from amazon.com May 21, 2021. (Year: 2021).*
Aipsun 4 Lights Black Bathroom Vanity Light, ASIN: B08B3BHV6N available from amazon.com Jun. 12, 2020. (Year: 2020).*
ShineTech 2-Light Bathroom Vanity Light Fixture, ASIN: B08DR6HD3T available from amazon.com Jul. 28, 2020. (Year: 2020).*
https://www.amazon.com/6-Light-Bathroom-Fixtures-Dressing-Cabinets/dp/B08K2LSVY3/ref=sr_1_16?dchild=1&keywords=melucee%2B6%2Blight&qid=1614253392&s=hi&sr=1-16&th=1.

* cited by examiner

Primary Examiner — Clare E Heflin

(74) *Attorney, Agent, or Firm* — ScienBiziP, P.C.

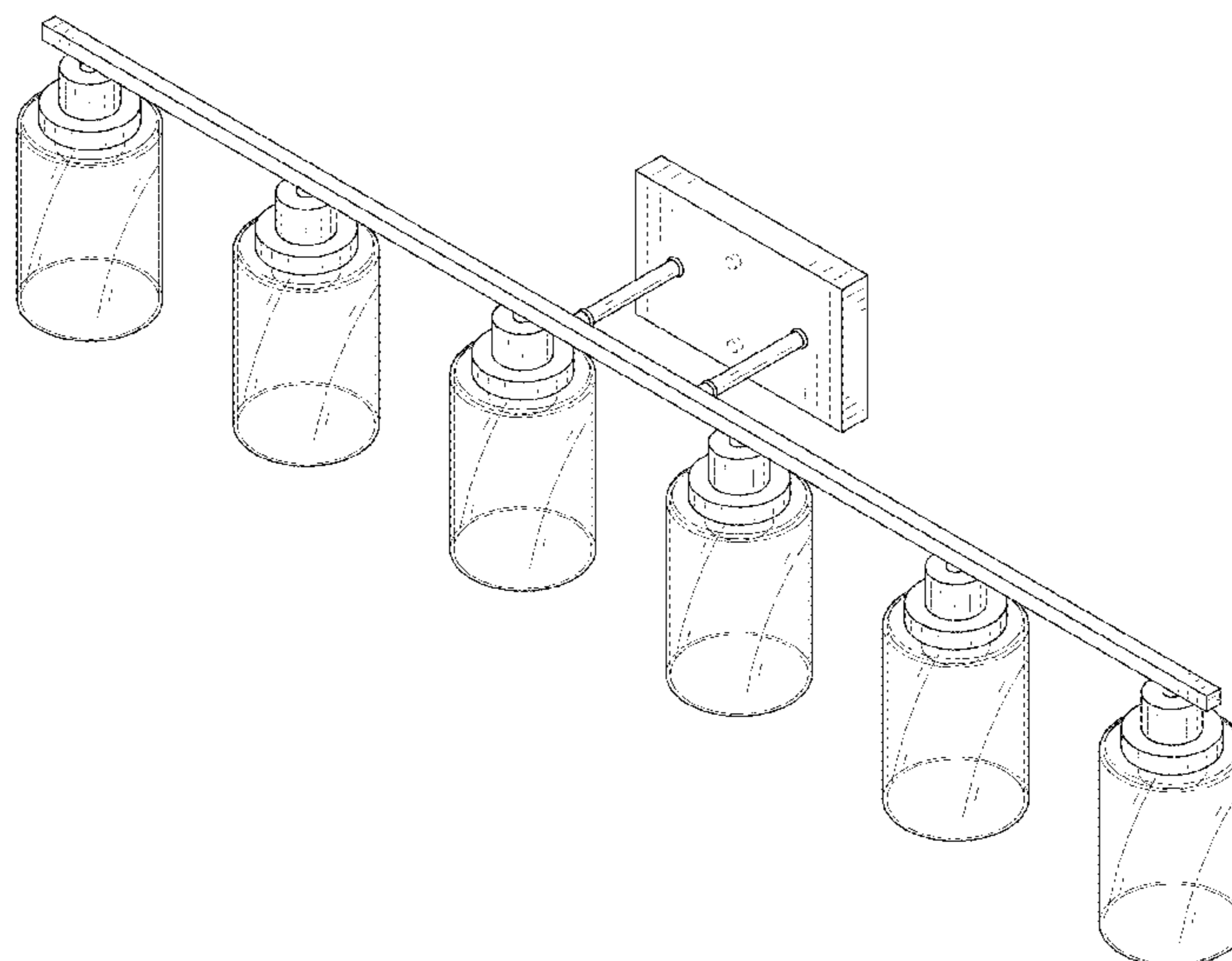
(57) **CLAIM**

The ornamental design for a light fixture, as shown and described.

DESCRIPTION

FIG. 1 is a front and top perspective view of a light fixture, showing my new design;
FIG. 2 is a rear and bottom perspective view thereof;
FIG. 3 is a front elevation view thereof;
FIG. 4 is a rear elevation view thereof;
FIG. 5 is a left side elevation view thereof;
FIG. 6 is a right side elevation view thereof;
FIG. 7 is a top plan view thereof; and,
FIG. 8 is a bottom plan view thereof.
The broken lines in the figures illustrate portions of the light fixture that form no part of the claimed design.

1 Claim, 8 Drawing Sheets



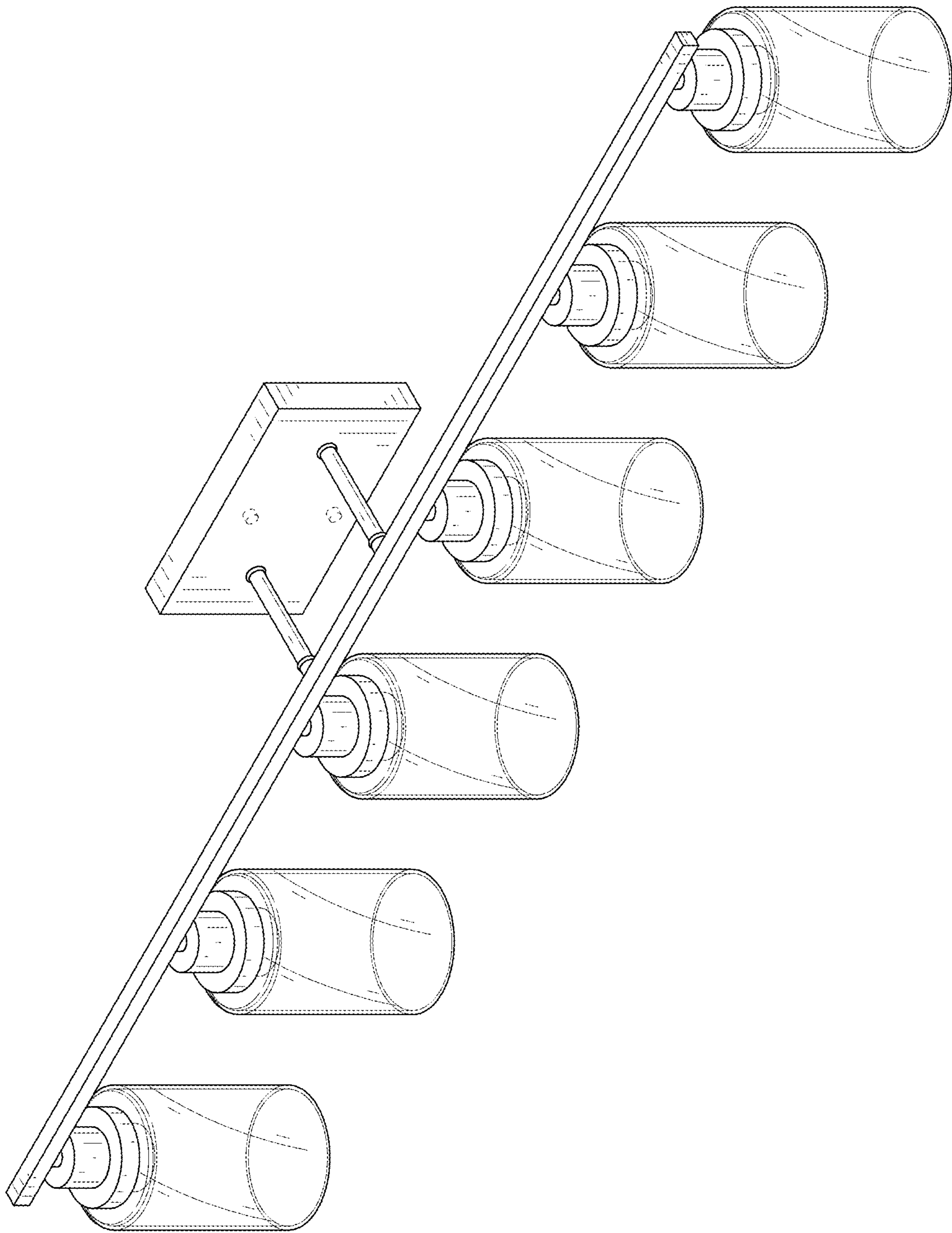


FIG. 1

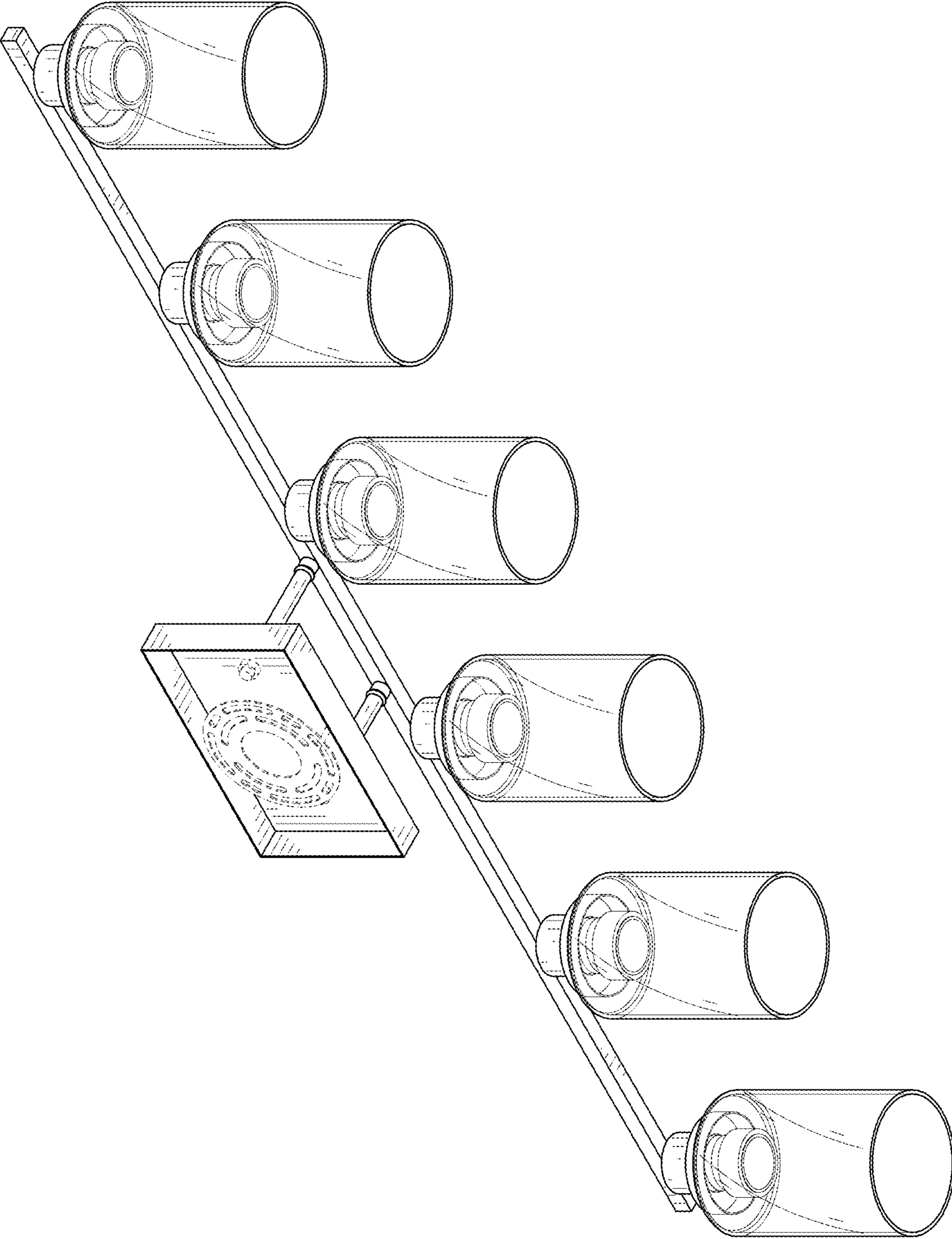


FIG. 2

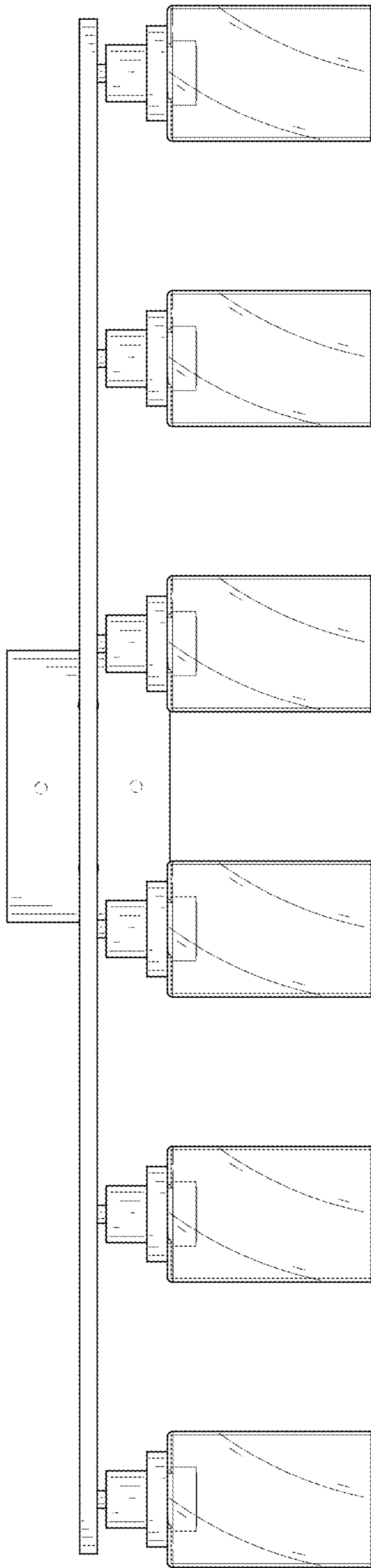


FIG. 3

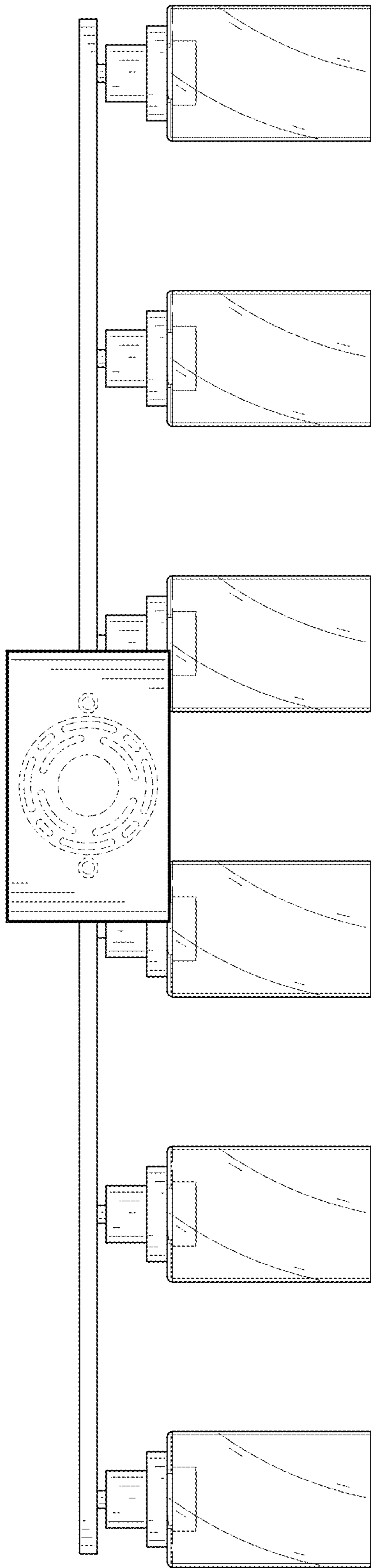


FIG. 4

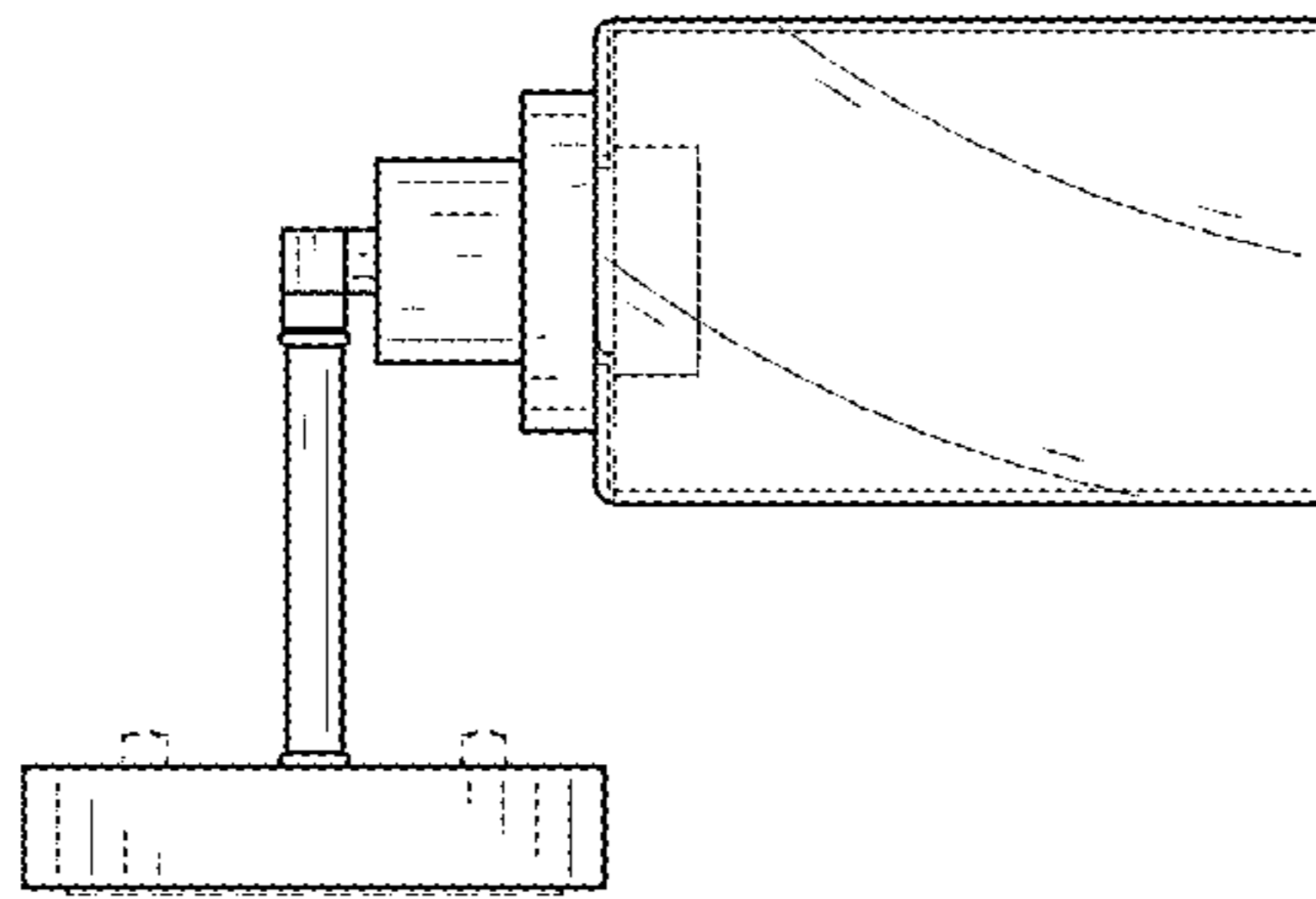


FIG. 5

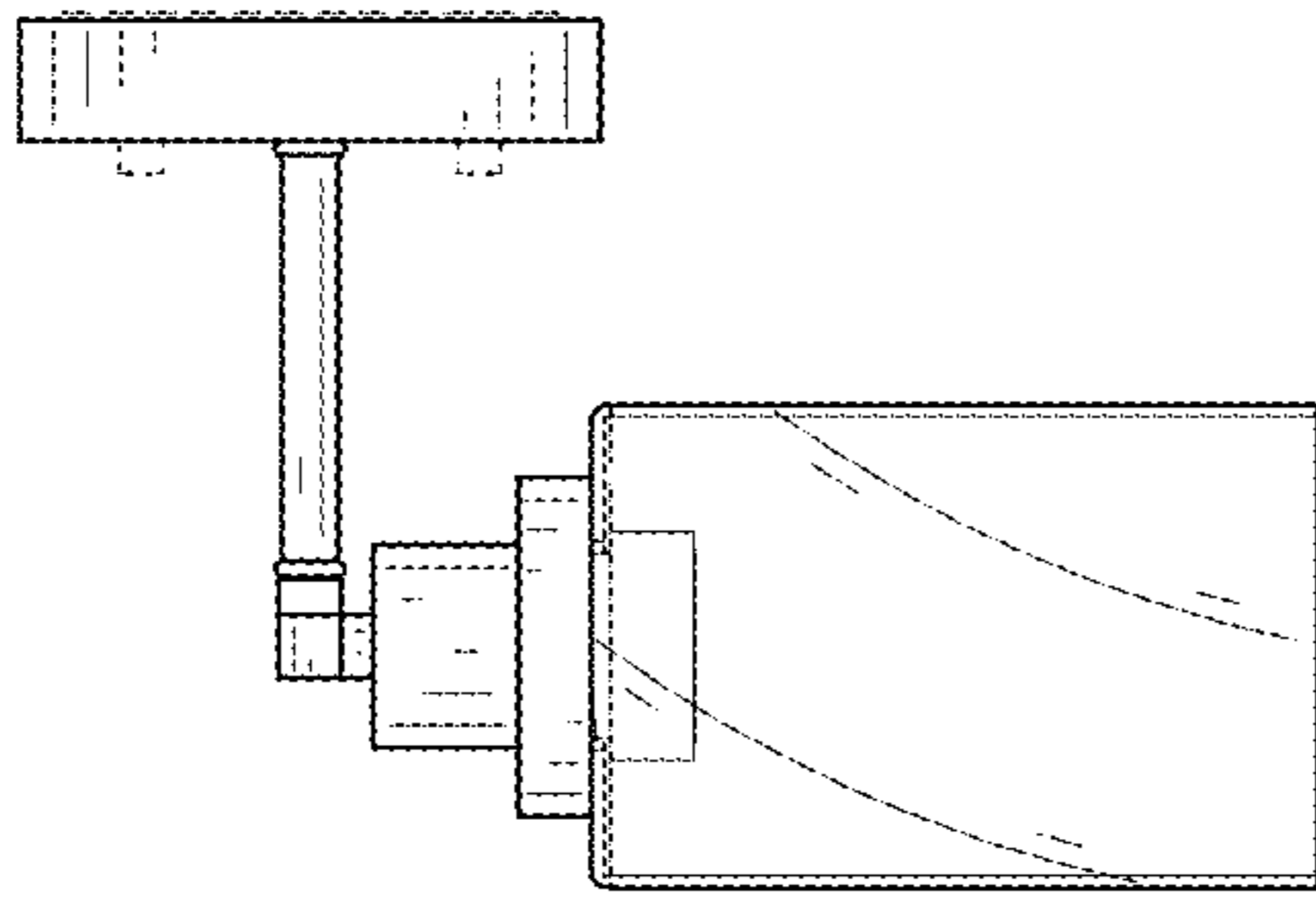


FIG. 6

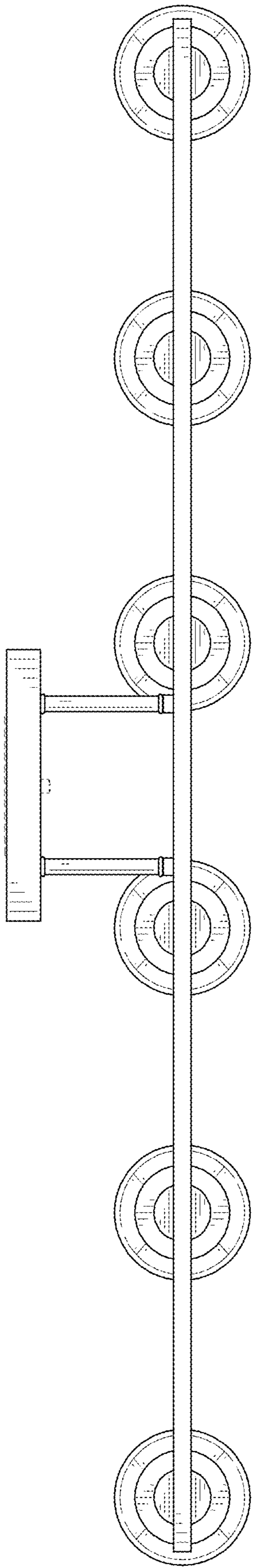


FIG. 7

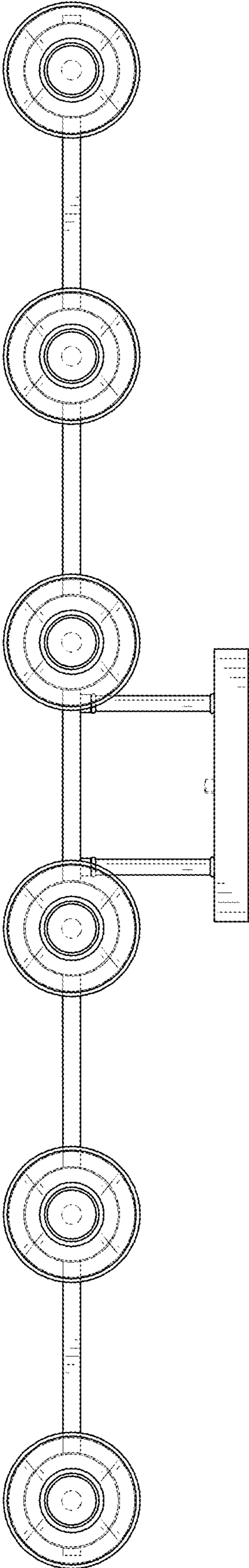


FIG. 8