



US00D963913S

(12) **United States Design Patent** (10) **Patent No.:** **US D963,913 S**
Wang (45) **Date of Patent:** **** Sep. 13, 2022**

(54) **FENCE LAMP**
(71) Applicant: **SHENZHEN HUA EN XING TECHNOLOGY CO., LTD.**, Shenzhen (CN)
(72) Inventor: **Kai Wang**, Shenzhen (CN)
(73) Assignee: **SHENZHEN HUA EN XING TECHNOLOGY CO., LTD.**, Shenzhen (CN)

D699,388 S * 2/2014 Park D26/129
D742,816 S * 11/2015 Anker D13/102
D825,813 S * 8/2018 Xiang D26/85
D827,184 S * 8/2018 Brennenstuhl D26/85
D834,736 S * 11/2018 Liu 26/85
D847,398 S * 4/2019 Chen D26/85
D917,759 S * 4/2021 Zhou D26/72
D927,757 S * 8/2021 Liang D26/72
D927,765 S * 8/2021 Li D26/106
D930,879 S * 9/2021 Nobes D26/72
D939,753 S * 12/2021 Chen D16/203
D942,662 S * 2/2022 Wang D10/113.1

(Continued)

(**) Term: **15 Years**

OTHER PUBLICATIONS

(21) Appl. No.: **29/763,230**

ZFWDSY, Solar Deck Light. First available Mar. 17, 2021. Searched May 2, 2022. [https://www.amazon.com/dp/B08Z7WBV3S/] (Year: 2021).*

(22) Filed: **Dec. 22, 2020**

(Continued)

(30) **Foreign Application Priority Data**

Nov. 24, 2020 (CN) 202030713697.3

Primary Examiner — Samantha Q Lawrence
Assistant Examiner — Melissa Adriane Santos

(51) **LOC (13) Cl.** **26-05**

(52) **U.S. Cl.**
USPC **D26/72**

(57) **CLAIM**

(58) **Field of Classification Search**
USPC D26/67, 72, 85–90, 92
CPC F21S 8/03; F21S 8/033; F21S 8/036; F21S 9/03; F21S 9/037; F21W 2131/107; F21W 2131/109; F21W 2111/027
See application file for complete search history.

The ornamental design for a fence lamp, as shown and described.

DESCRIPTION

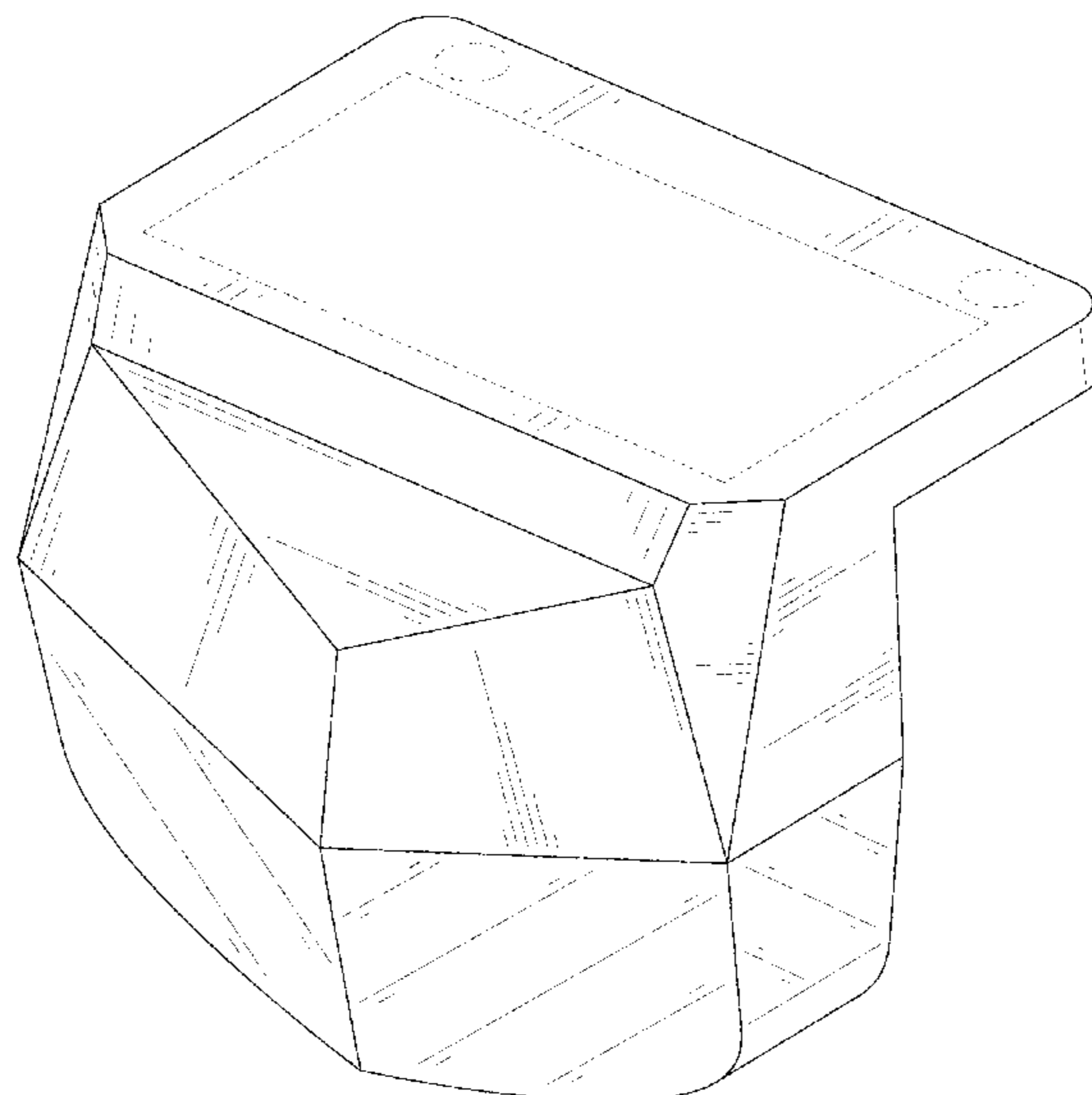
(56) **References Cited**

U.S. PATENT DOCUMENTS

D189,054 S * 10/1960 Jaffe, Jr. D26/85
D217,197 S * 4/1970 Phillips D6/678
D250,937 S * 1/1979 Schueler D10/111
D290,294 S * 6/1987 Sano D26/63
D309,504 S * 7/1990 Hanson D26/68
D380,853 S * 7/1997 Johnson D26/128
D563,589 S * 3/2008 Hariri D26/88
D580,579 S * 11/2008 Love D26/67
D627,916 S * 11/2010 Butteris D26/85

FIG. 1 is a perspective view of a fence lamp showing my new design;
FIG. 2 is another perspective view thereof;
FIG. 3 is a front elevational view thereof;
FIG. 4 is a rear elevational view thereof;
FIG. 5 is a left side elevational view thereof;
FIG. 6 is a right side elevational view thereof;
FIG. 7 is a top plan view thereof; and,
FIG. 8 is a bottom plan view thereof.
The broken lines in the drawings depict portions of the fence lamp that form no part of the claimed design.

1 Claim, 8 Drawing Sheets



(56)

References Cited

U.S. PATENT DOCUMENTS

2008/0062679 A1* 3/2008 Hartman F21V 15/01
362/370
2017/0241627 A1* 8/2017 Stuart F21V 23/002

OTHER PUBLICATIONS

Lacoco, Solar Deck Light. First available Aug. 24, 2021. Searched May 2, 2022. [<https://www.amazon.com/Waterproof-Charging-Backyard-Railings-Decorative/dp/B096XL1Y46/>] (Year: 2021).*

DenicMic, Solar Diamond Fence Light. First available Jan. 1, 2022. Searched May 2, 2022. [<https://www.amazon.com/dp/B09PFWFWX6>] (Year: 2022).*

Kuzco Lighting, Lio Step Light. First available Jul. 16, 2021. Searched May 2, 2022. [<https://www.amazon.com/Kuzco-Lighting-ER30203-BZ-Lio-Bronze/dp/B099P1QBV7/>] (Year: 2021).*

* cited by examiner

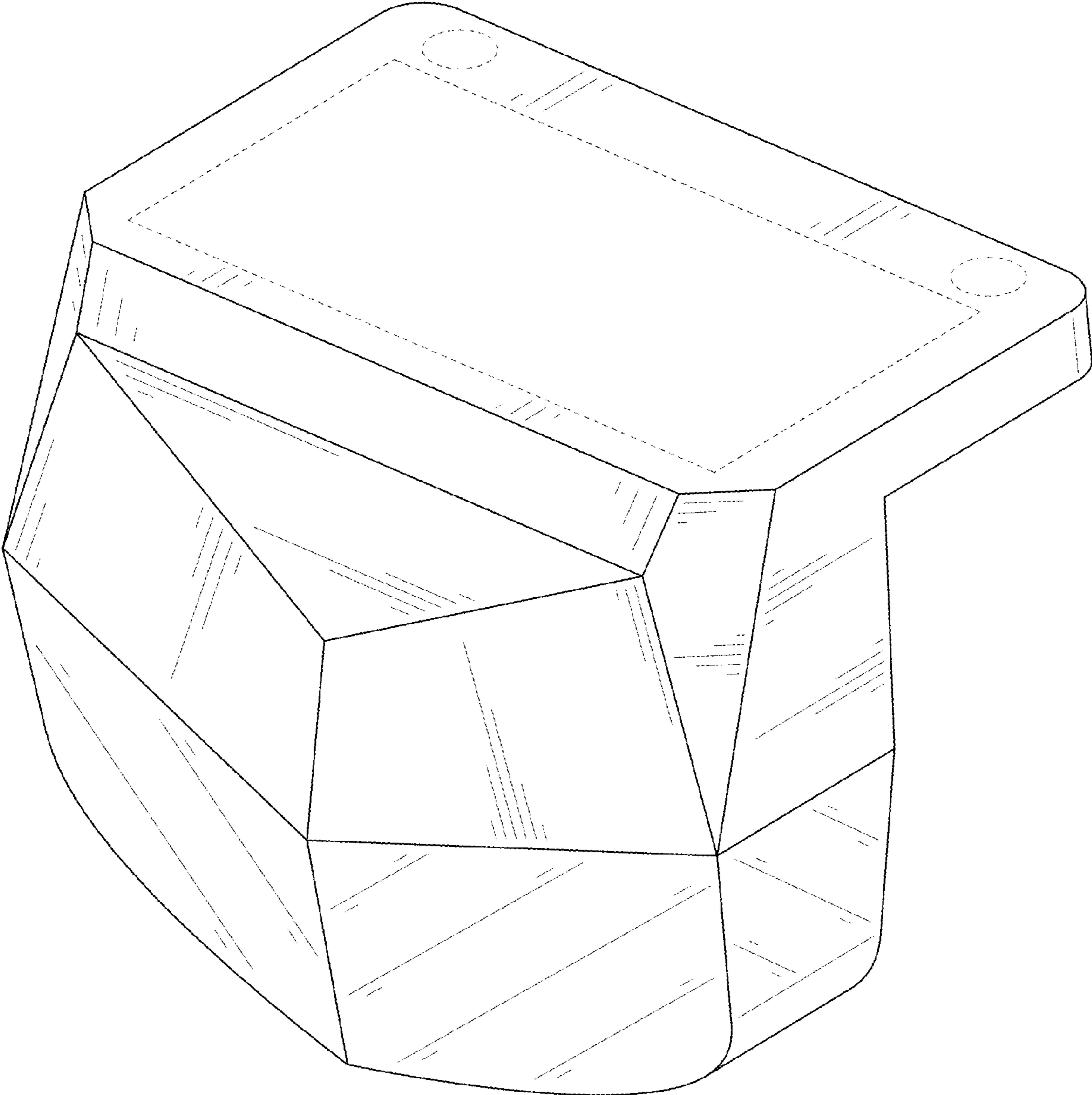


FIG. 1

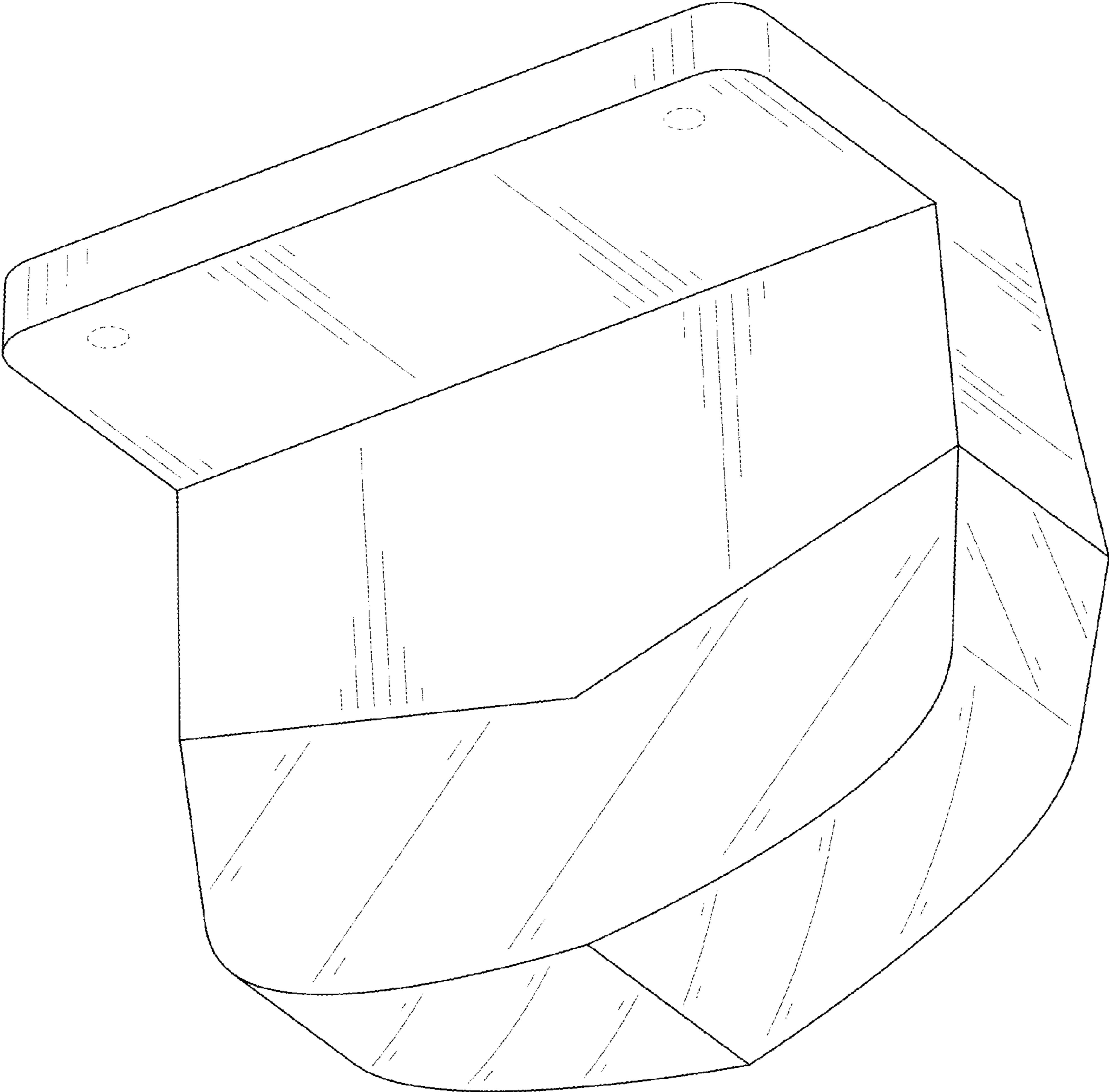


FIG. 2

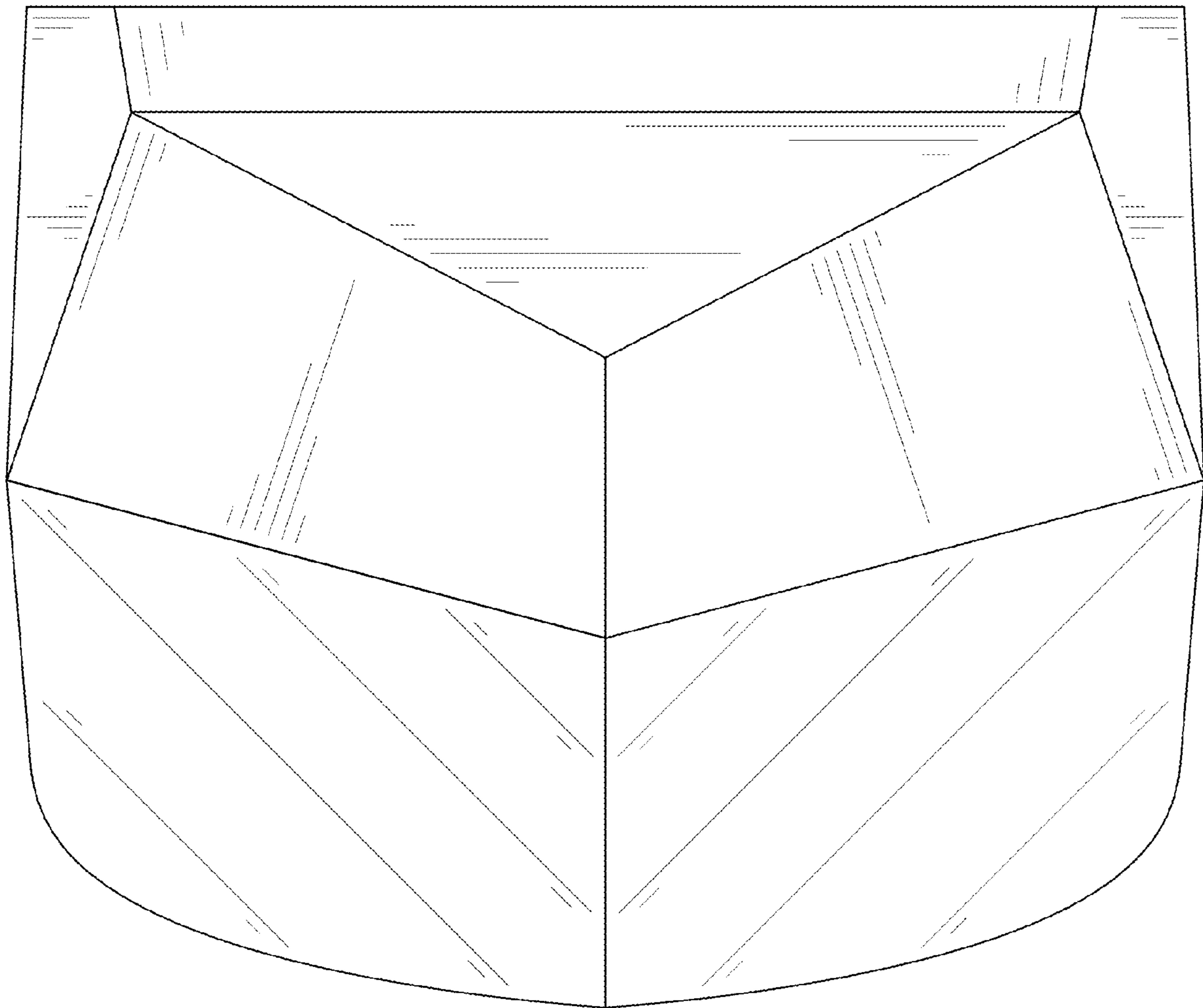


FIG. 3

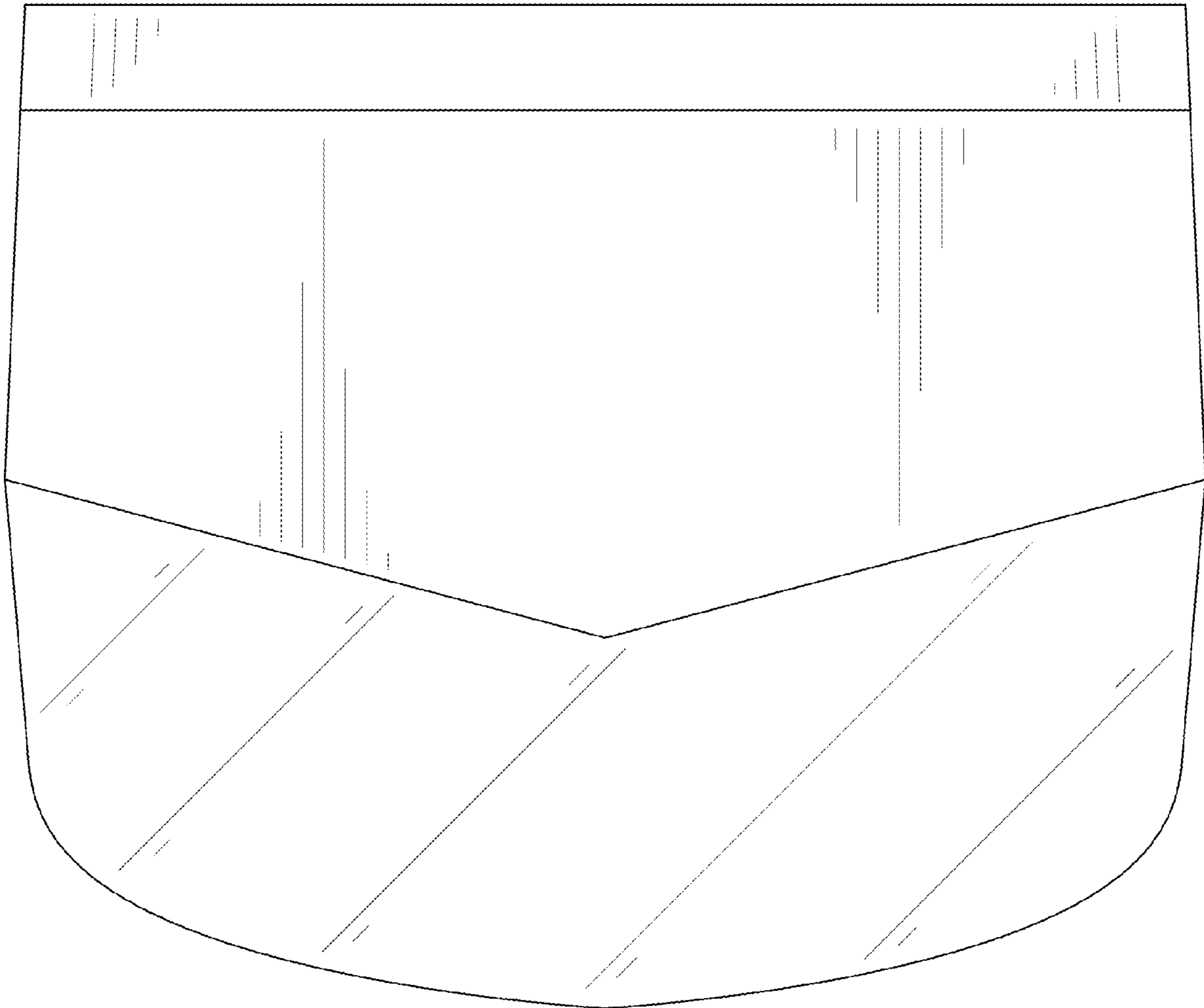


FIG. 4

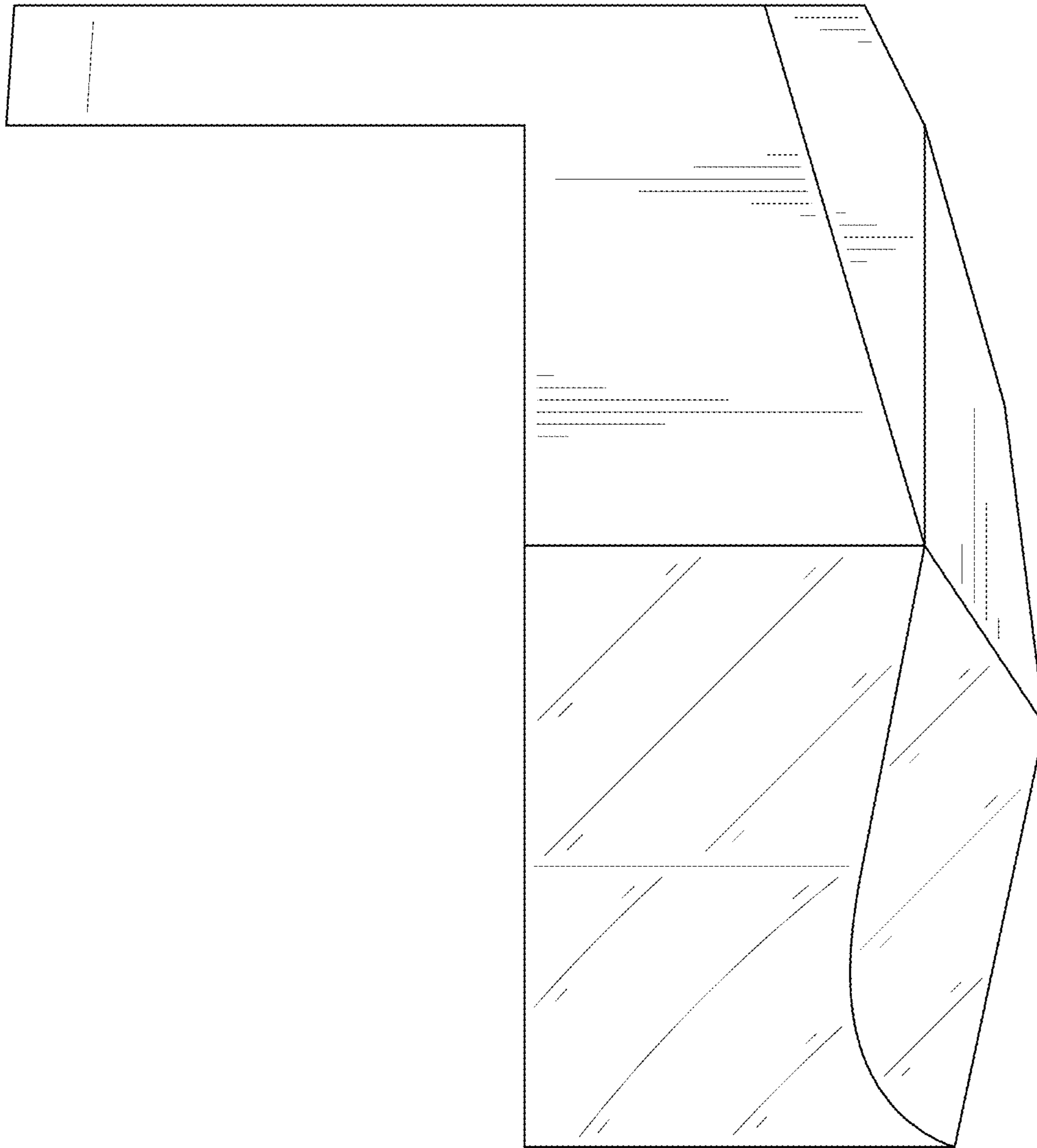


FIG. 5

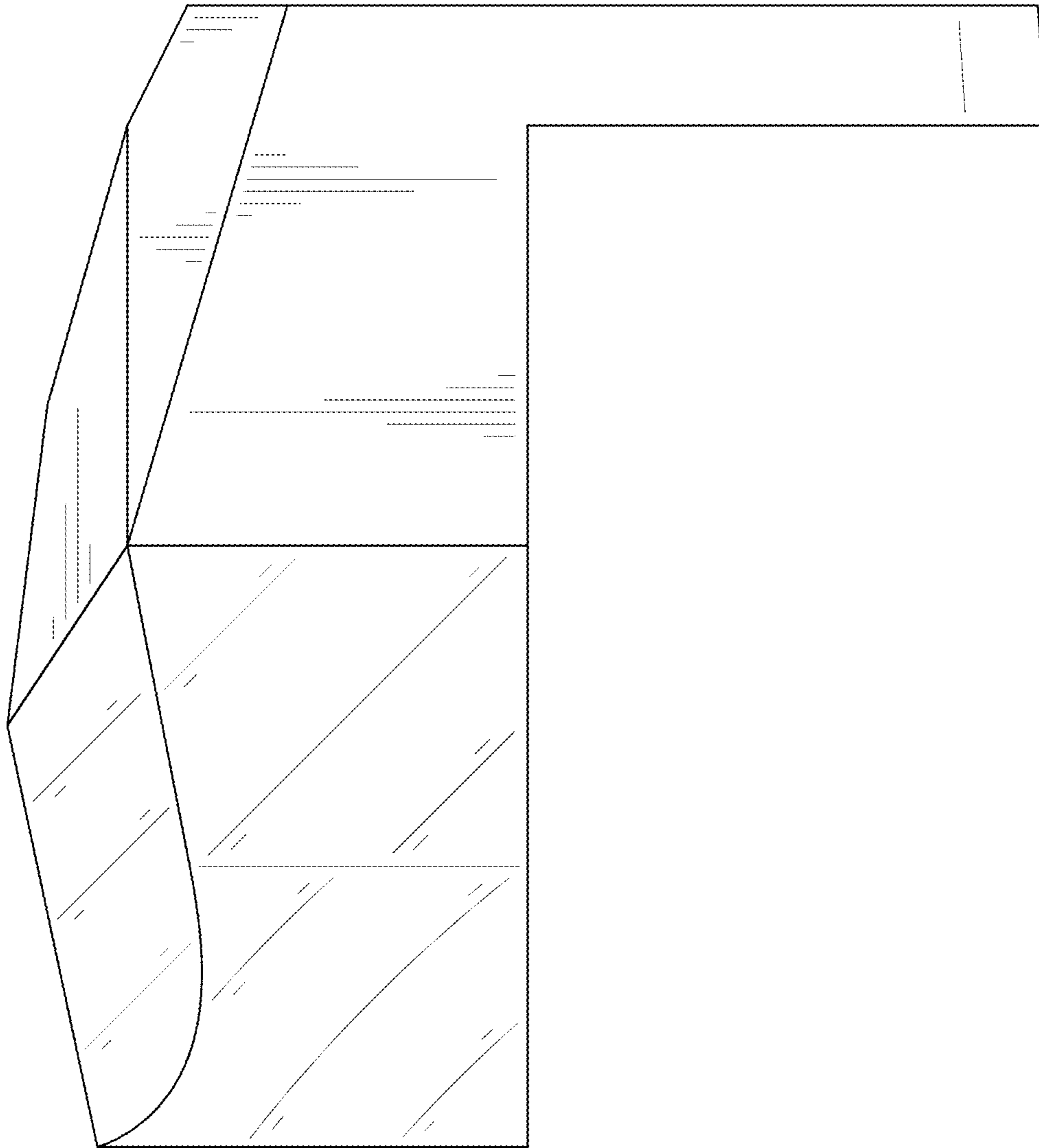


FIG. 6

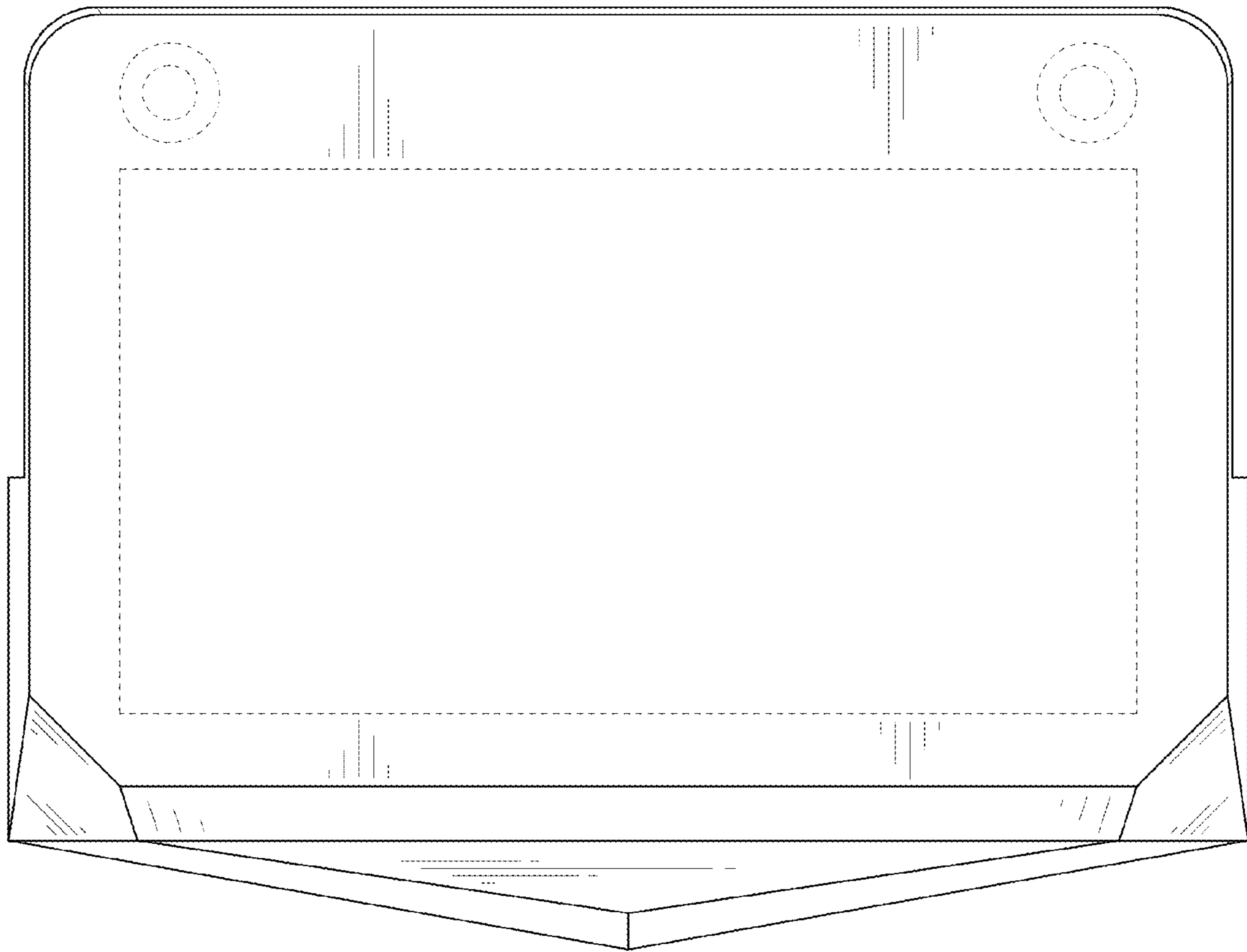


FIG. 7

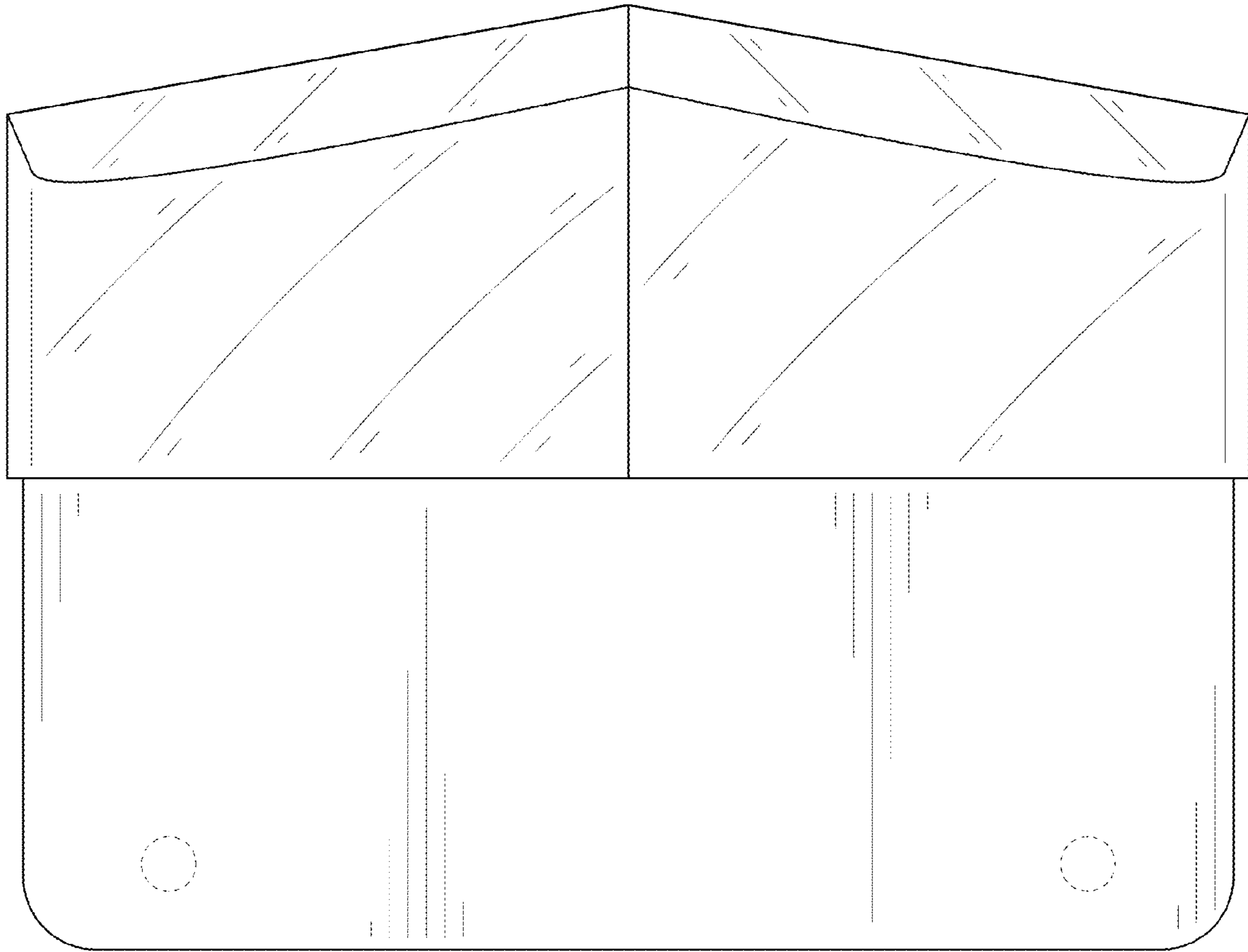


FIG. 8