



US00D963910S

(12) **United States Design Patent** (10) **Patent No.:** **US D963,910 S**
Qiu (45) **Date of Patent:** **** Sep. 13, 2022**

(54) **COMBINED NIGHT LIGHT WITH DIGITAL CLOCK**

(71) Applicant: **Shenzhen AOLAN electronics co., LTD**, Shenzhen (CN)

(72) Inventor: **Shifeng Qiu**, Ganzhou (CN)

(**) Term: **15 Years**

(21) Appl. No.: **29/775,313**

(22) Filed: **Mar. 23, 2021**

(30) **Foreign Application Priority Data**

Feb. 3, 2021 (CN) 202130079627.1

(51) **LOC (13) Cl.** **26-05**

(52) **U.S. Cl.**
USPC **D26/54; D10/2; D10/15; D14/171**

(58) **Field of Classification Search**
USPC D26/24, 26, 37-52, 54, 93-94, 104-108, D26/113; D10/2, 5, 15; D14/171
CPC . F21V 33/0056; F21V 33/0004; G04C 17/02; G04C 17/0091; F21L 4/00; F21L 4/08
See application file for complete search history.

(56) **References Cited**

U.S. PATENT DOCUMENTS

D368,227 S *	3/1996	Danko	D10/2
D453,687 S *	2/2002	Harris	D26/54
D485,190 S *	1/2004	Blaylock	D10/2
D779,341 S *	2/2017	Poandl	D10/2
D875,554 S *	2/2020	Bai	D10/15
D885,203 S *	5/2020	Chen	D10/15
D912,533 S *	3/2021	Yu	D10/15

OTHER PUBLICATIONS

Guidea Digital Alarm Clock with Adjustable Wireless Charger Holder. By Guidea. Dated Mar. 23, 2021. Found online [Jun. 15, 2022]. <https://www.amazon.com/Guidea-Adjustable-Wireless-Imitation-Appearance/dp/B08ZSB41PK> (Year: 2021).*

* cited by examiner

Primary Examiner — Marissa J Cash
Assistant Examiner — William B Melliar

(57) **CLAIM**

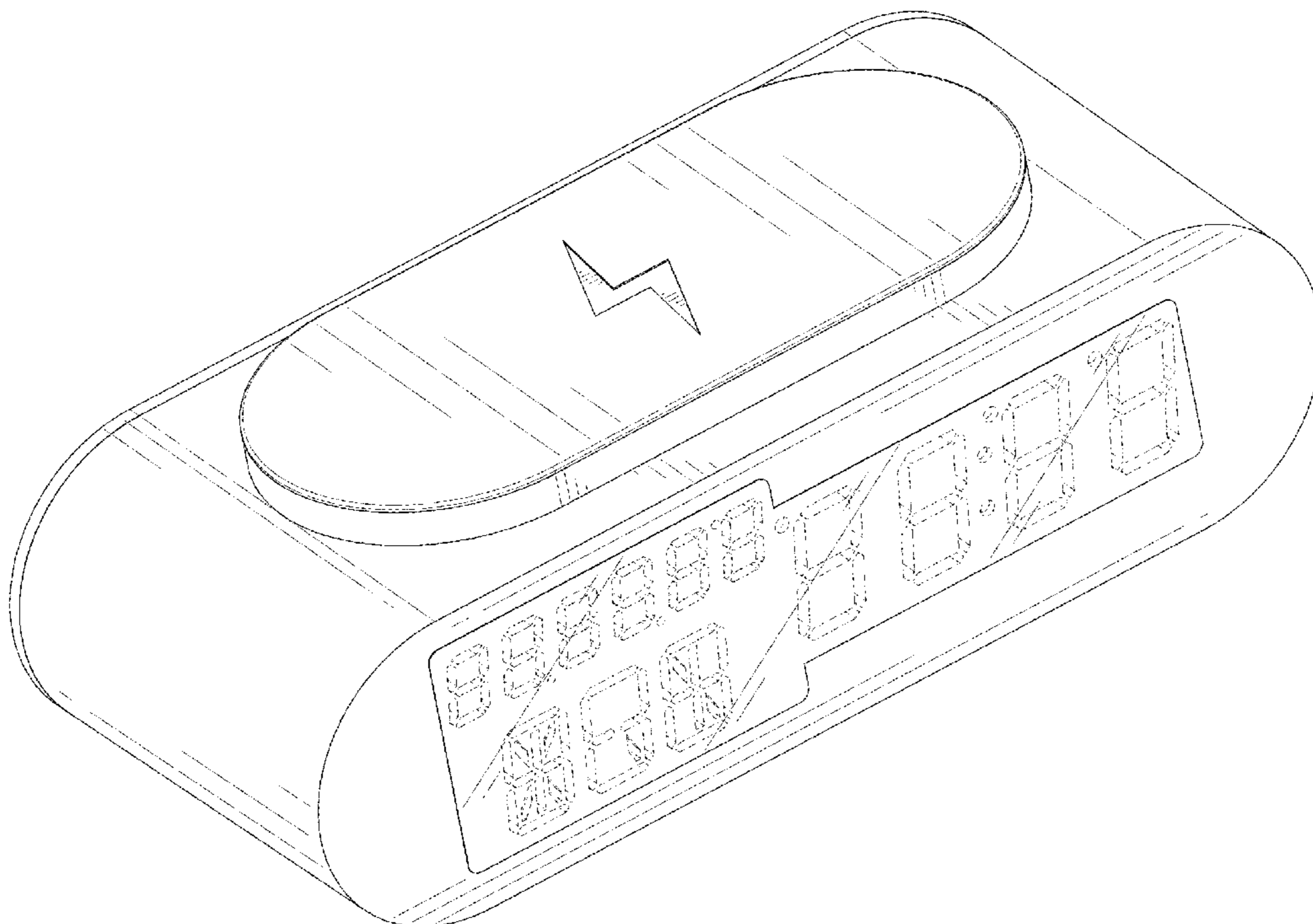
The ornamental design for a combined night light with digital clock, as shown and described.

DESCRIPTION

FIG. 1 is a front and top perspective view of a combined night light with digital clock, showing my new design; FIG. 2 is a rear and bottom perspective view thereof; FIG. 3 is a front elevation view thereof; FIG. 4 is a rear elevation view thereof; FIG. 5 is a left side elevation view thereof; FIG. 6 is a right side elevation view thereof; FIG. 7 is a top plan view thereof; FIG. 8 is a bottom plan view thereof; and, FIG. 9 is an enlarged view of a portion labeled, 'FIG. 9' in FIG. 2.

The broken lines in the figures illustrate portions of the combined night light with digital clock that form no part of the claimed design. The dash dot dash lines in FIGS. 2 and 9 are for the purpose of depicting the cut line of the enlarged view and form no part of the claim.

1 Claim, 9 Drawing Sheets



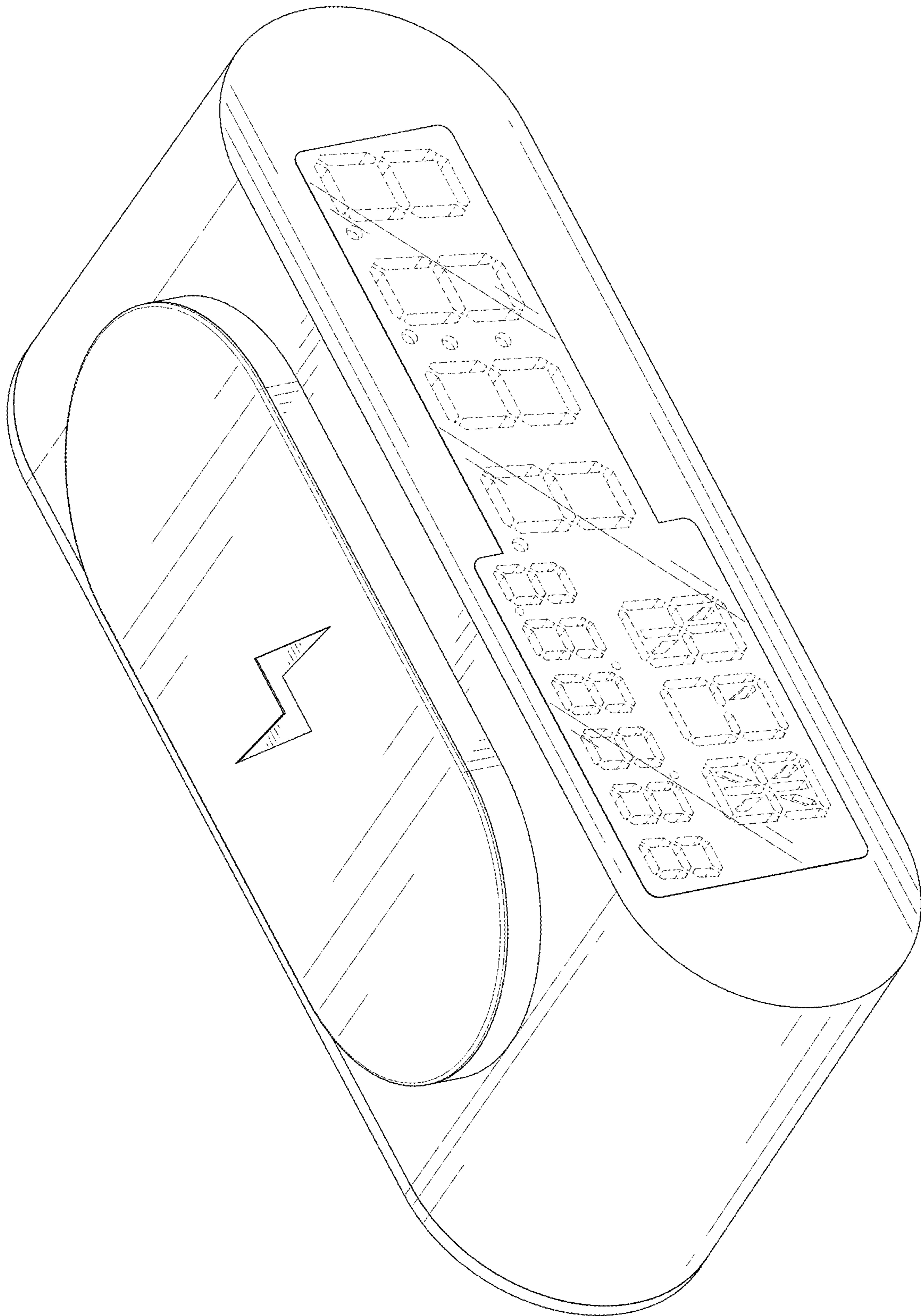


FIG. 1

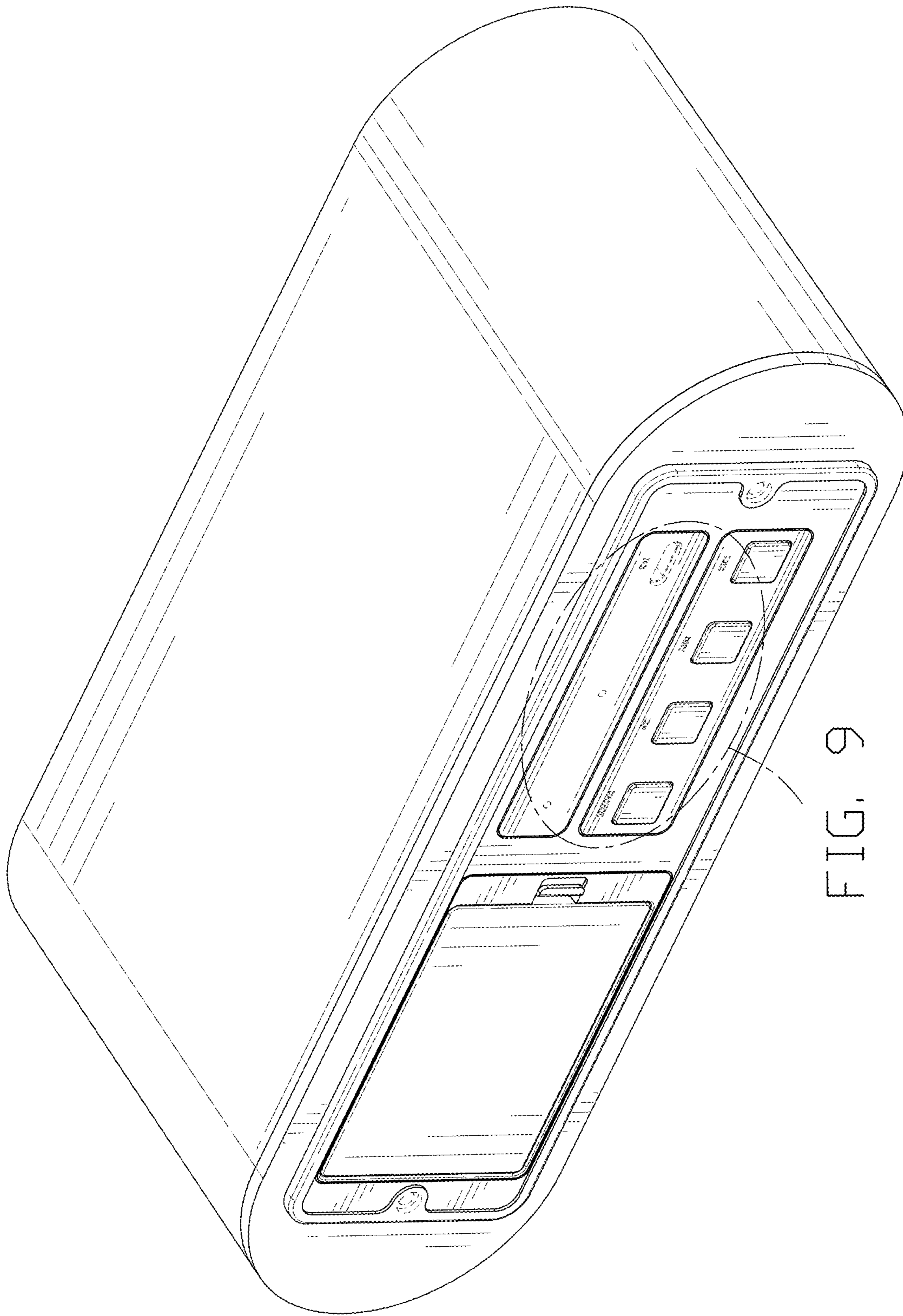


FIG. 9

FIG. 2

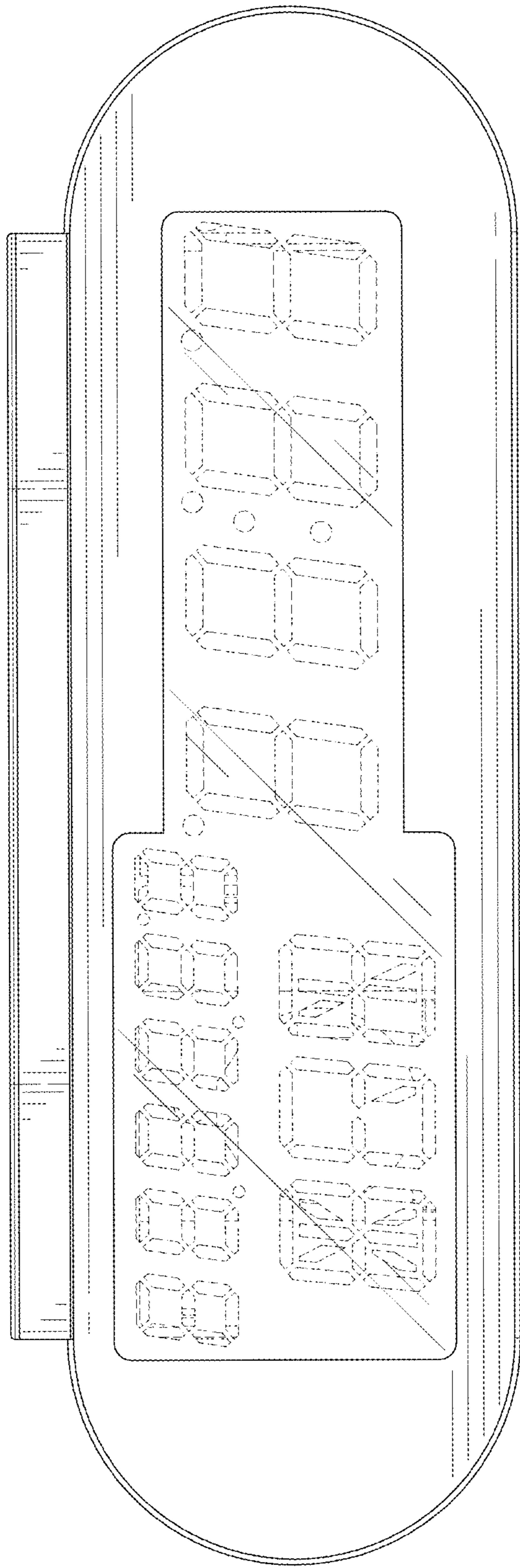


FIG. 3

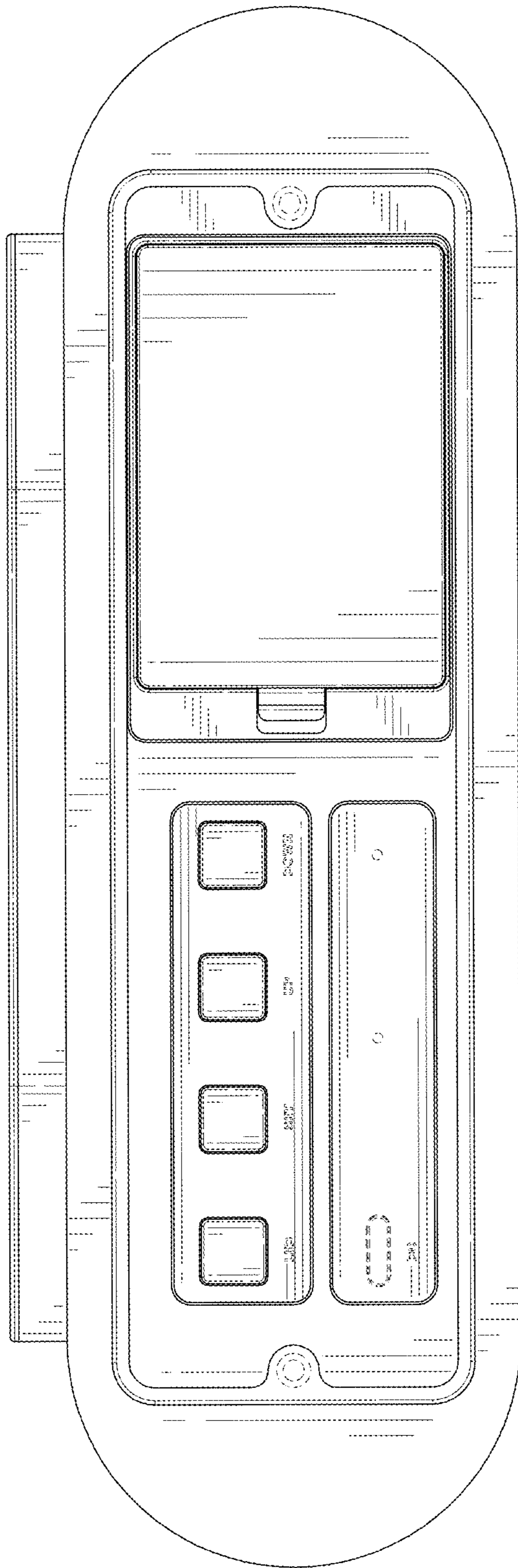


FIG. 4

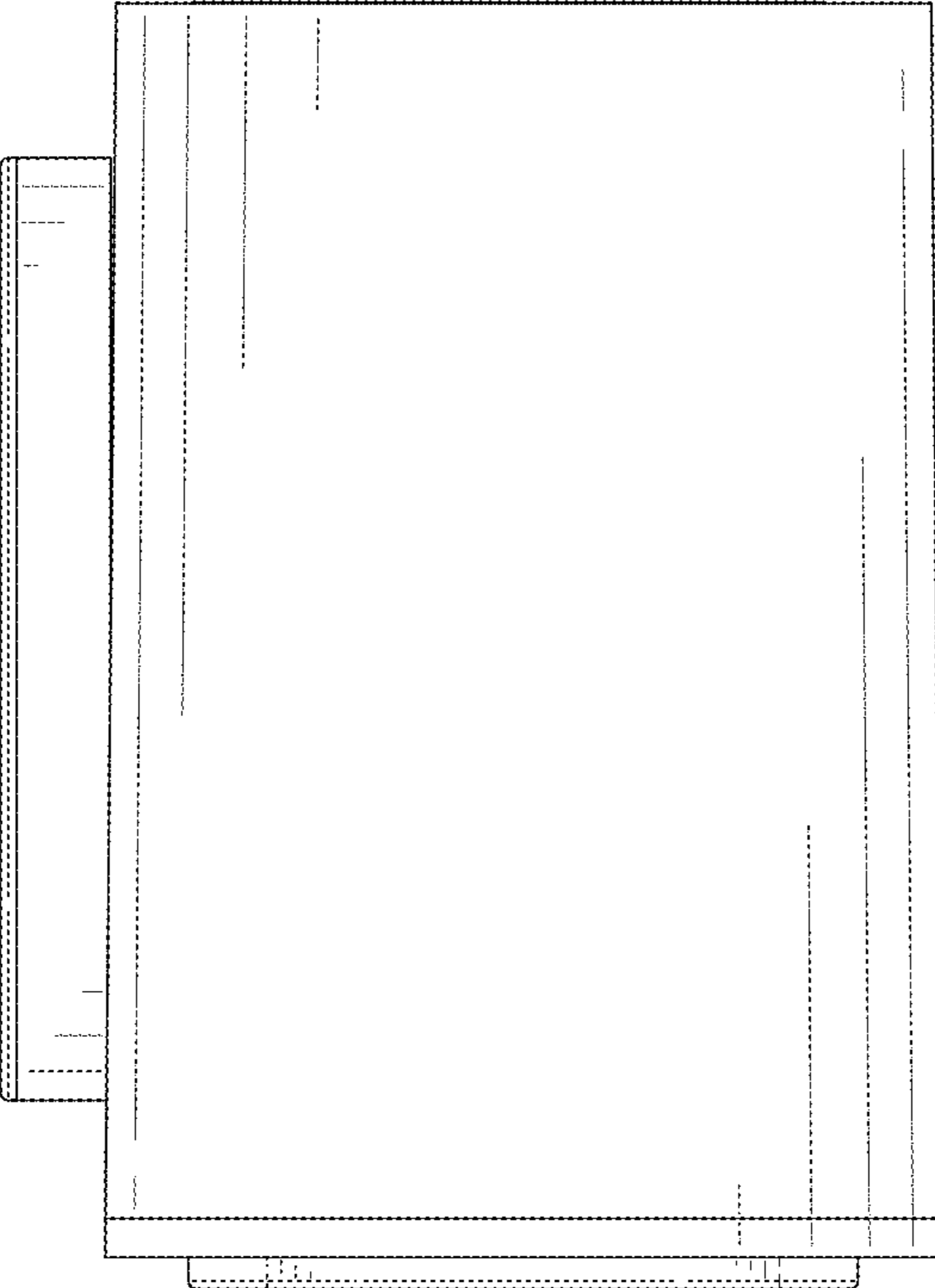


FIG. 5

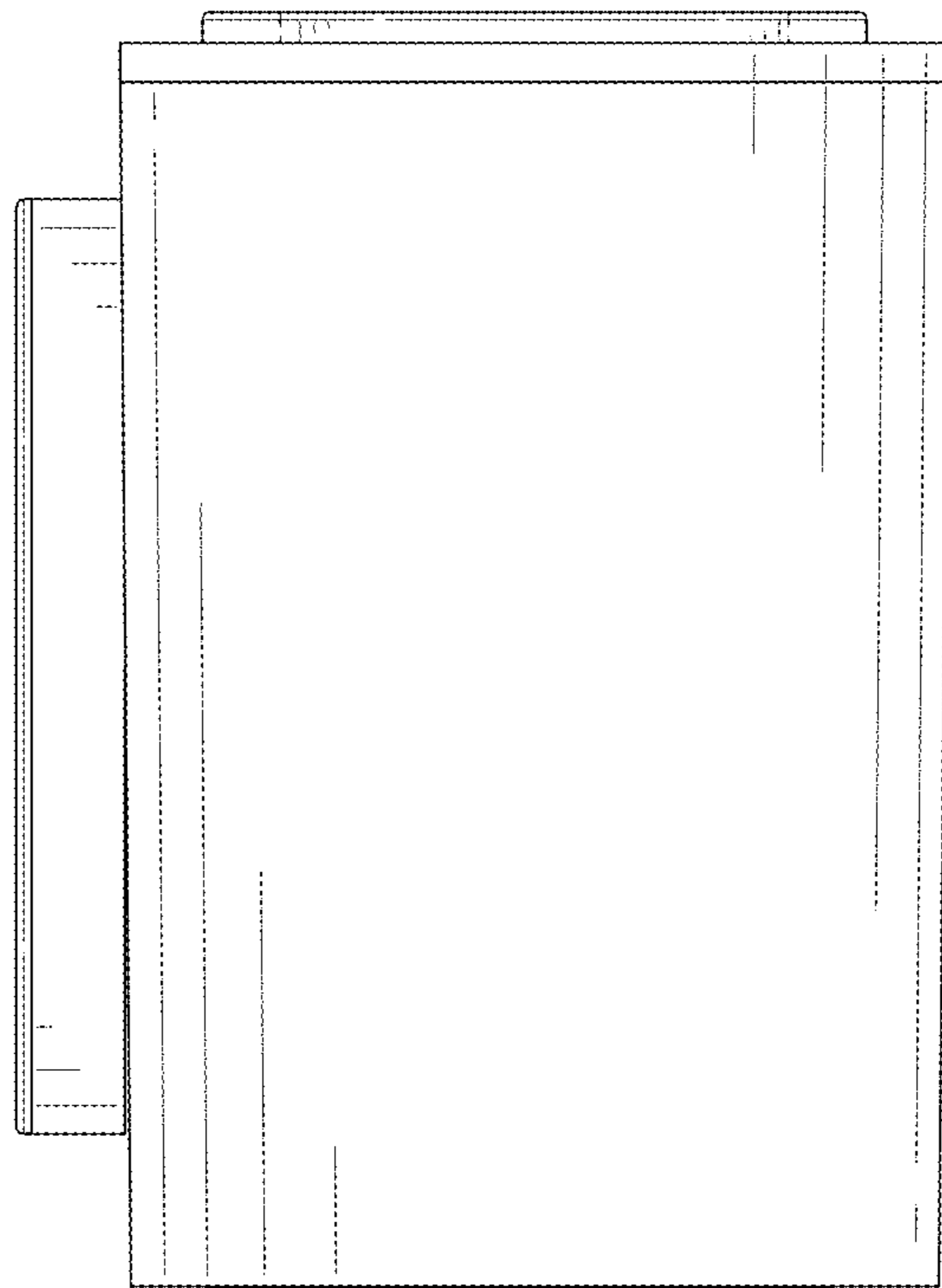


FIG. 6

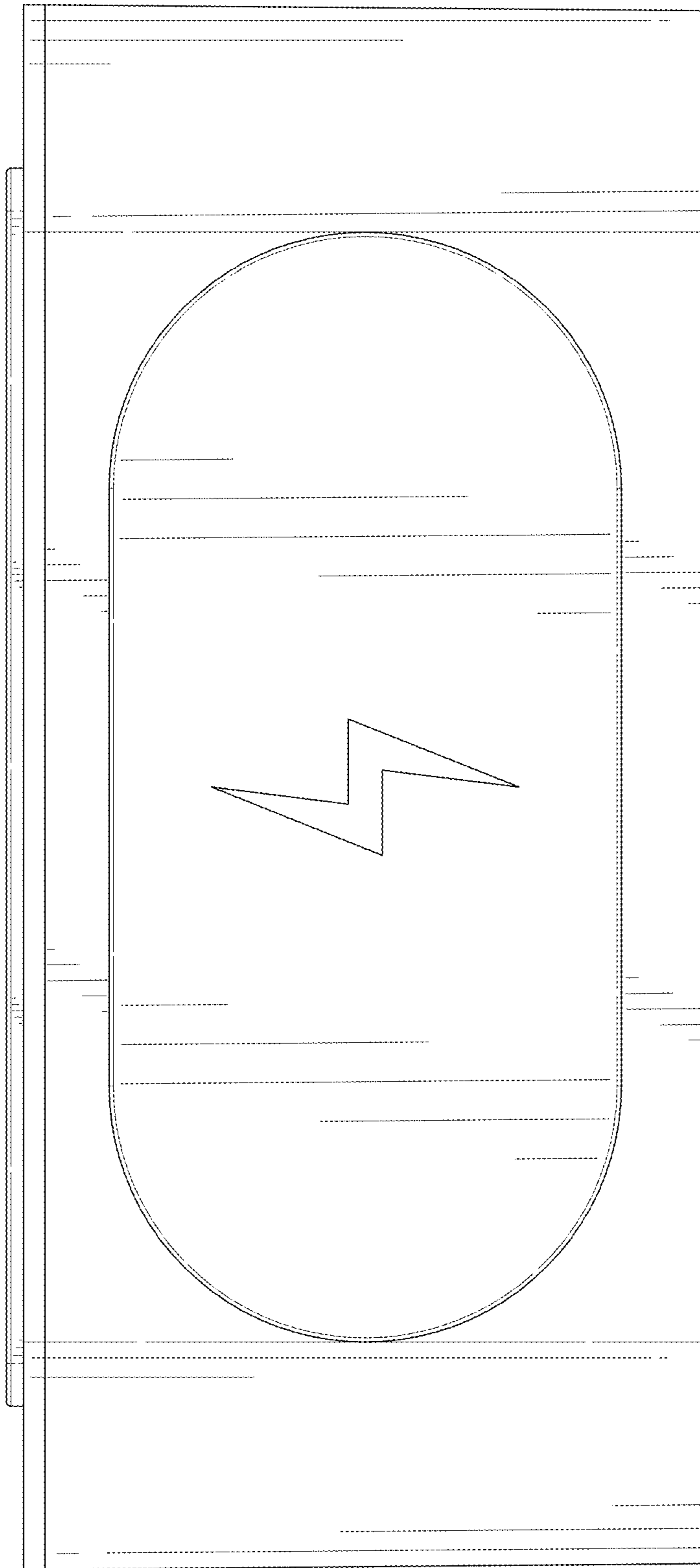


FIG. 7

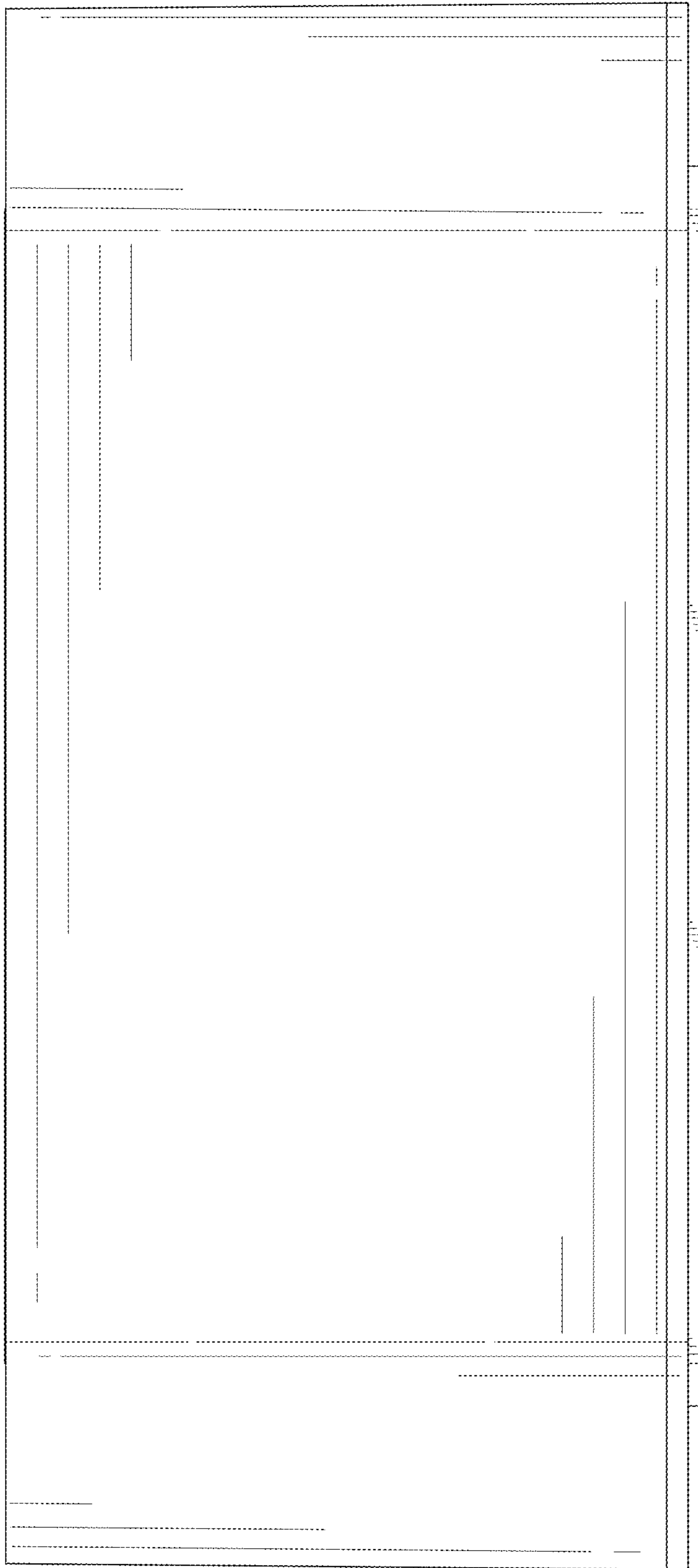


FIG. 8

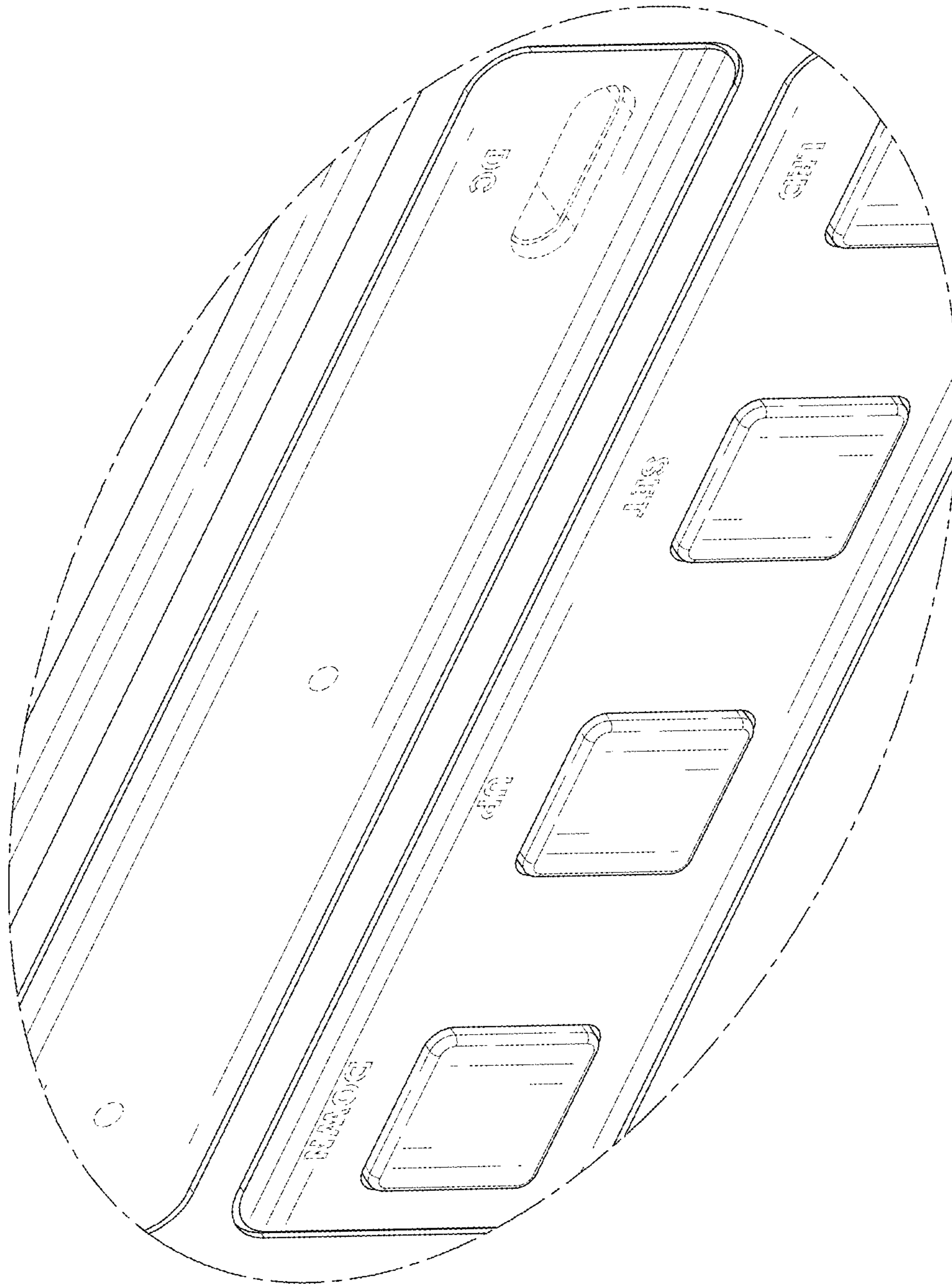


FIG. 9