



US00D963909S

(12) **United States Design Patent** (10) **Patent No.:** **US D963,909 S**
Lu (45) **Date of Patent:** **** Sep. 13, 2022**

(54) **HEADLAMP**

(56) **References Cited**

(71) Applicant: **Xun Lu**, Ningbo (CN)

U.S. PATENT DOCUMENTS

(72) Inventor: **Xun Lu**, Ningbo (CN)

(**) Term: **15 Years**

D693,040	S	*	11/2013	Svensson	D26/39
D812,793	S	*	3/2018	Huang	D26/39
D814,676	S	*	4/2018	Windom	D26/39
D845,526	S	*	4/2019	Windom	D26/39
D861,212	S	*	9/2019	Windom	D26/39
D884,234	S	*	5/2020	Bao	D26/39
D919,145	S	*	5/2021	Gao	D26/39
D929,006	S	*	8/2021	Yan	D26/39
D932,671	S	*	10/2021	Bertken	D26/39
2009/0323317	A1	*	12/2009	Spartano	F21V 23/0414 362/105

(21) Appl. No.: **29/763,544**

(22) Filed: **Dec. 23, 2020**

(51) **LOC (13) Cl.** **26-02**

(52) **U.S. Cl.**
USPC **D26/39**

(58) **Field of Classification Search**
USPC D26/24, 37-52, 113, 118-119, 138
CPC F21Y 2115/10; F21Y 2113/13; F21Y 2115/30; F21Y 2113/10; F21Y 2105/12; F21Y 2107/00; F21Y 2113/00; F21Y 2113/17; F21Y 2113/20; F21Y 2115/00; F21V 21/084; F21V 23/0414; F21V 23/0492; F21V 23/002; F21V 21/0816; F21V 21/30; F21V 23/003; F21V 23/0471; F21V 14/06; F21V 15/01; F21V 17/02; F21V 21/096; F21V 21/0965; F21V 21/145; F21V 23/023; F21V 23/0442; F21V 14/02; F21V 14/025; F21V 14/04; F21V 17/007; F21V 17/06; F21V 17/12; F21V 21/002; F21V 21/0885; F21V 21/10; F21V 23/007; F21V 23/02; F21V 23/0464; F21V 23/0478; F21V 23/0485; F21V 29/15; F21V 29/70; F21V 33/0008; F21V 5/004; F21V 5/006; F21V 5/008; F21V 5/08; F21V 7/00; F21V 7/09; F21V 9/30

See application file for complete search history.

* cited by examiner

Primary Examiner — Marissa J Cash
Assistant Examiner — William B Melliar
(74) *Attorney, Agent, or Firm* — Georgi Korobanov

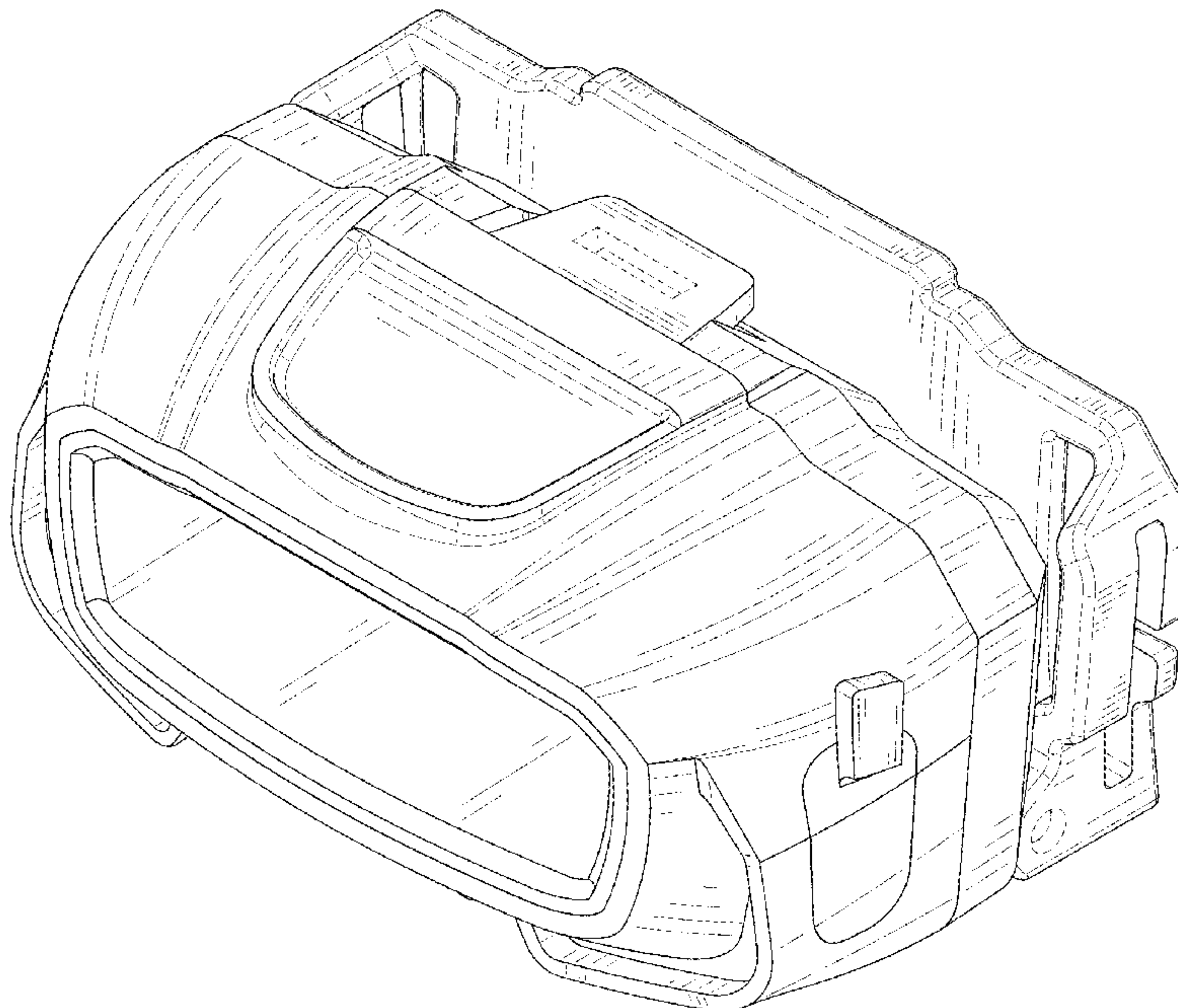
(57) **CLAIM**

The ornamental design for a headlamp, as shown and described.

DESCRIPTION

FIG. 1 is a first perspective view of a headlamp showing my new design;
FIG. 2 is a second perspective view thereof;
FIG. 3 is a front view thereof;
FIG. 4 is a back view thereof;
FIG. 5 is a left side view thereof;
FIG. 6 is a right side view thereof;
FIG. 7 is a top view thereof; and,
FIG. 8 is a bottom view thereof.
The broken lines shown in the drawings depict portions of the headlamp in which the design is embodied that form no part of the claimed design.

1 Claim, 8 Drawing Sheets



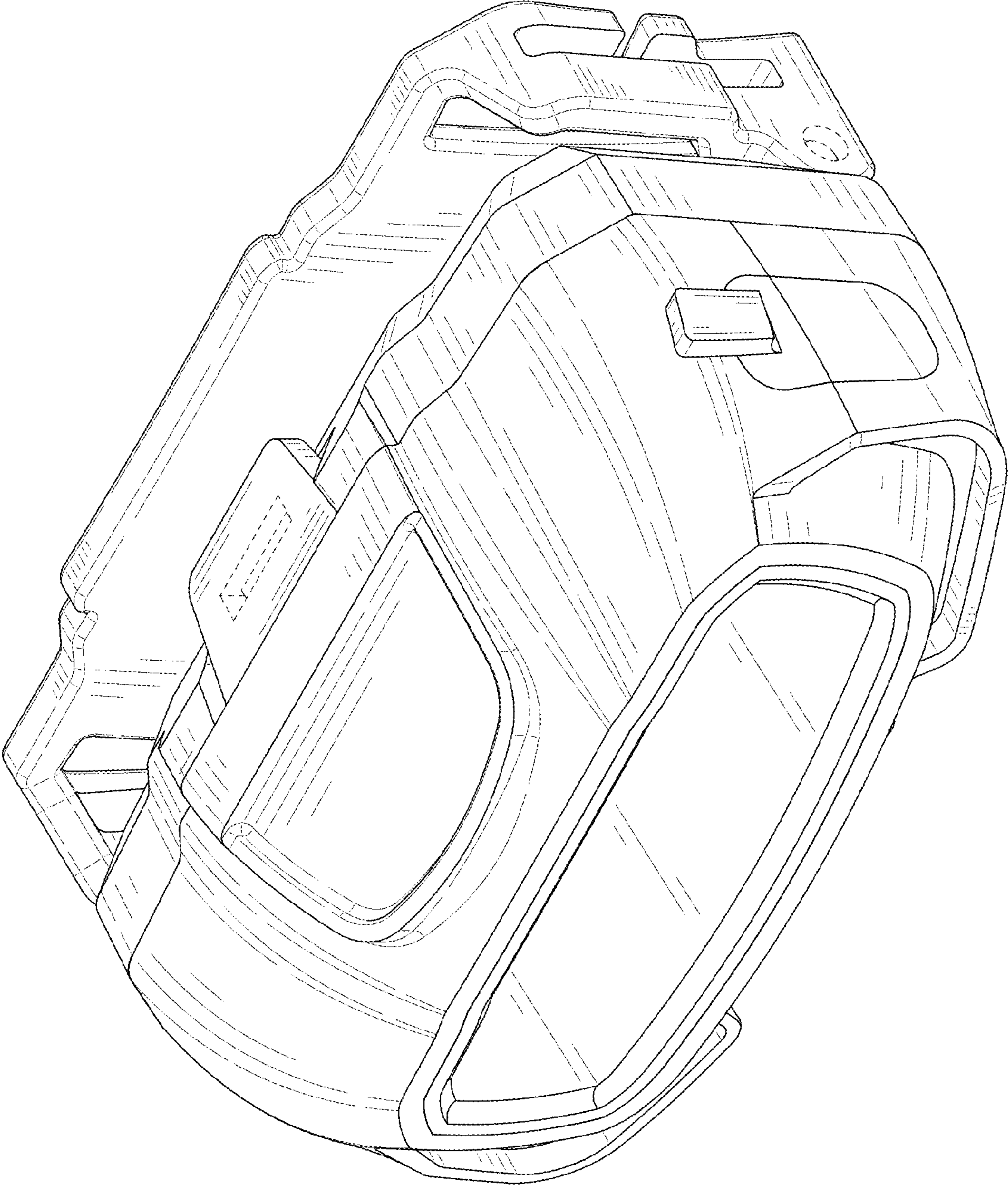


FIG. 1

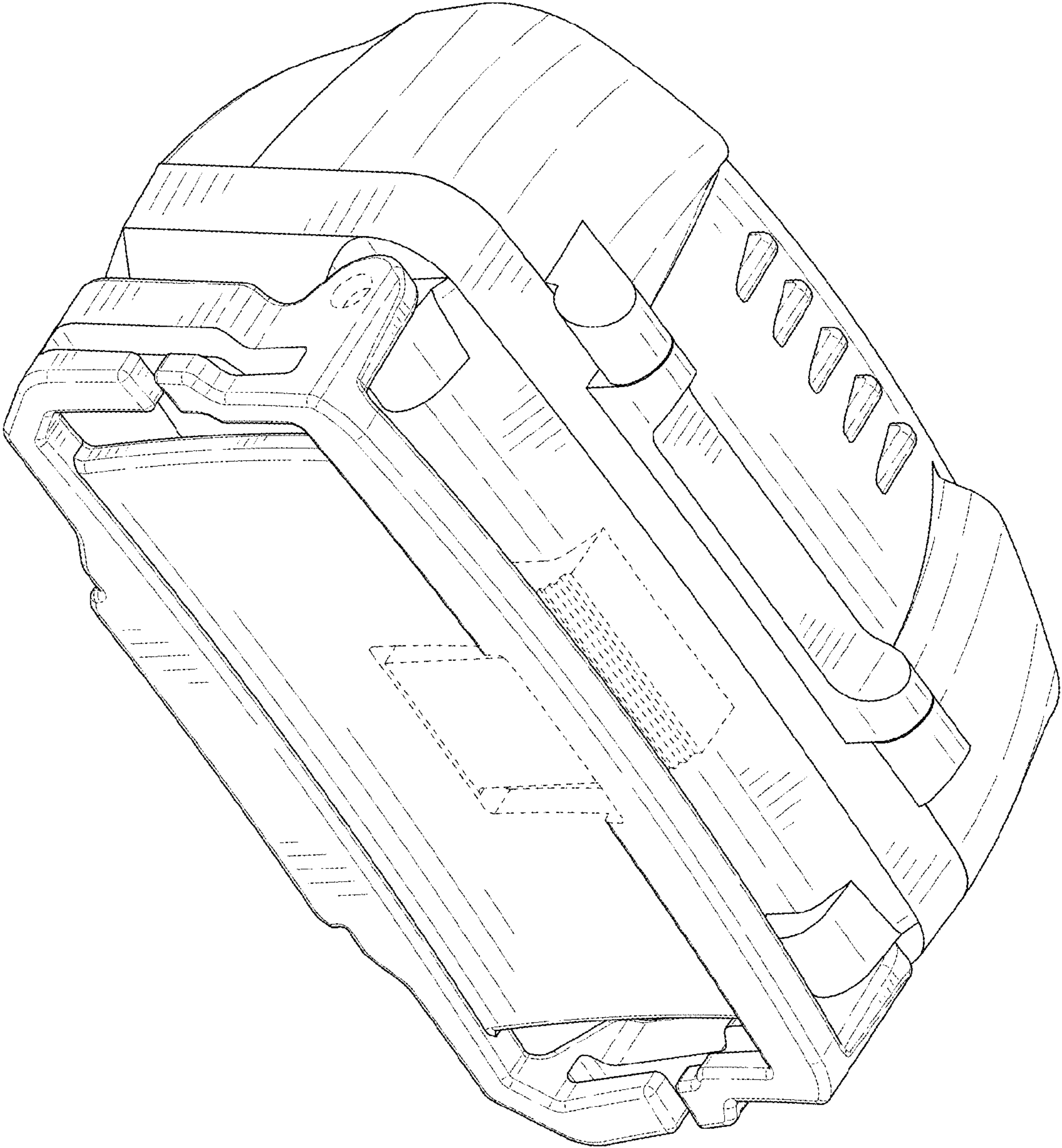


FIG. 2

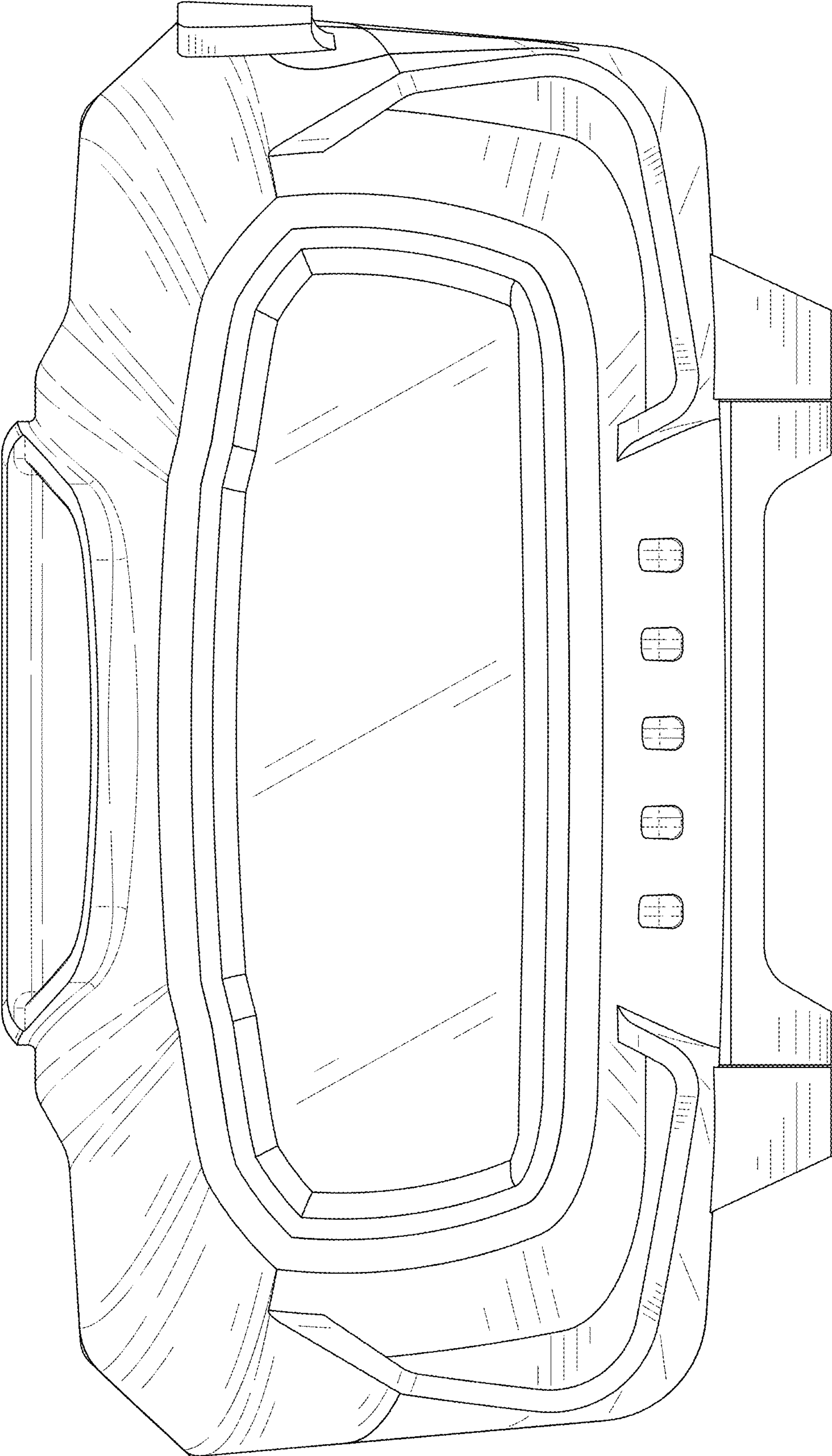


FIG. 3

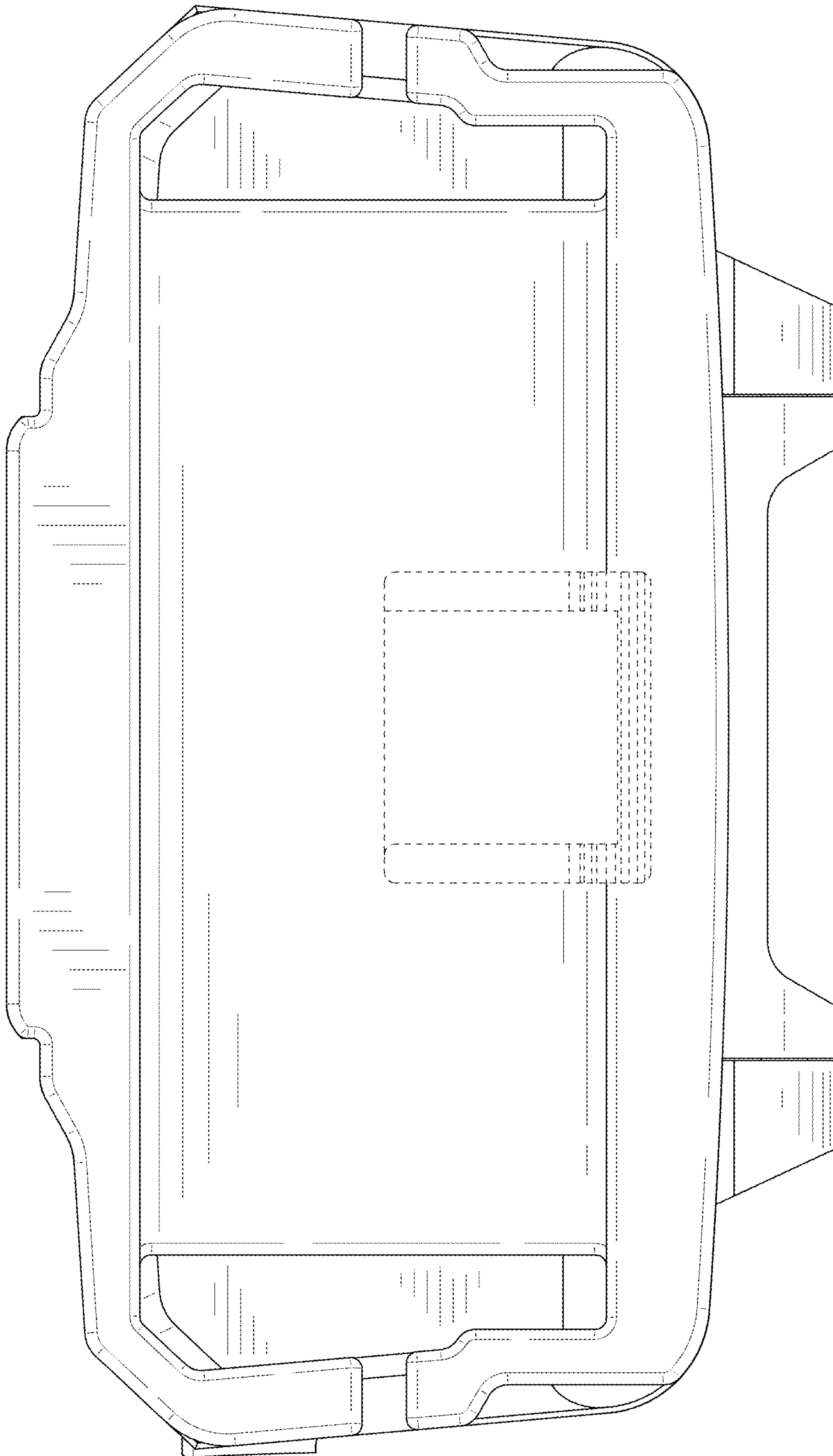


FIG. 4

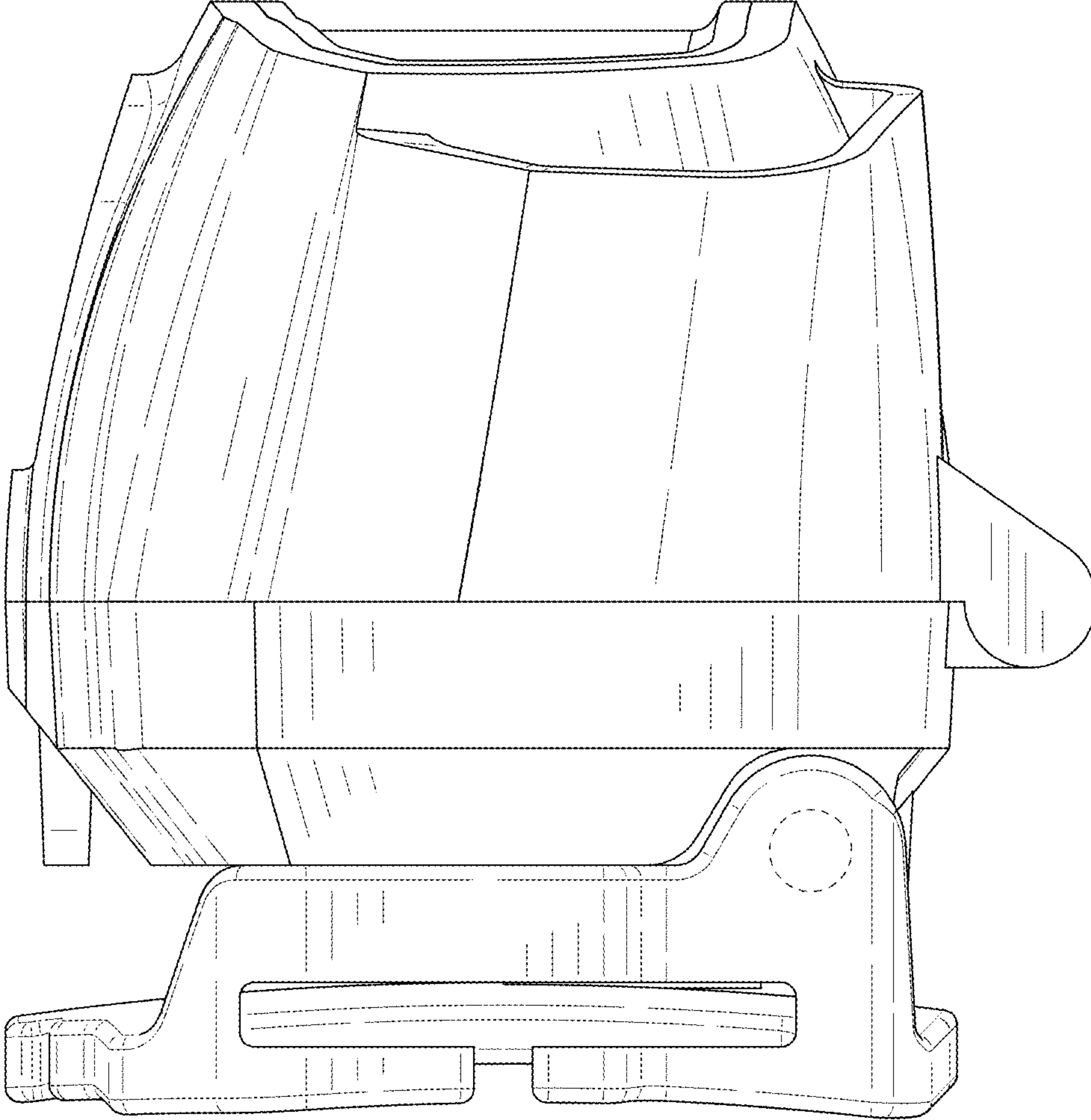


FIG. 5

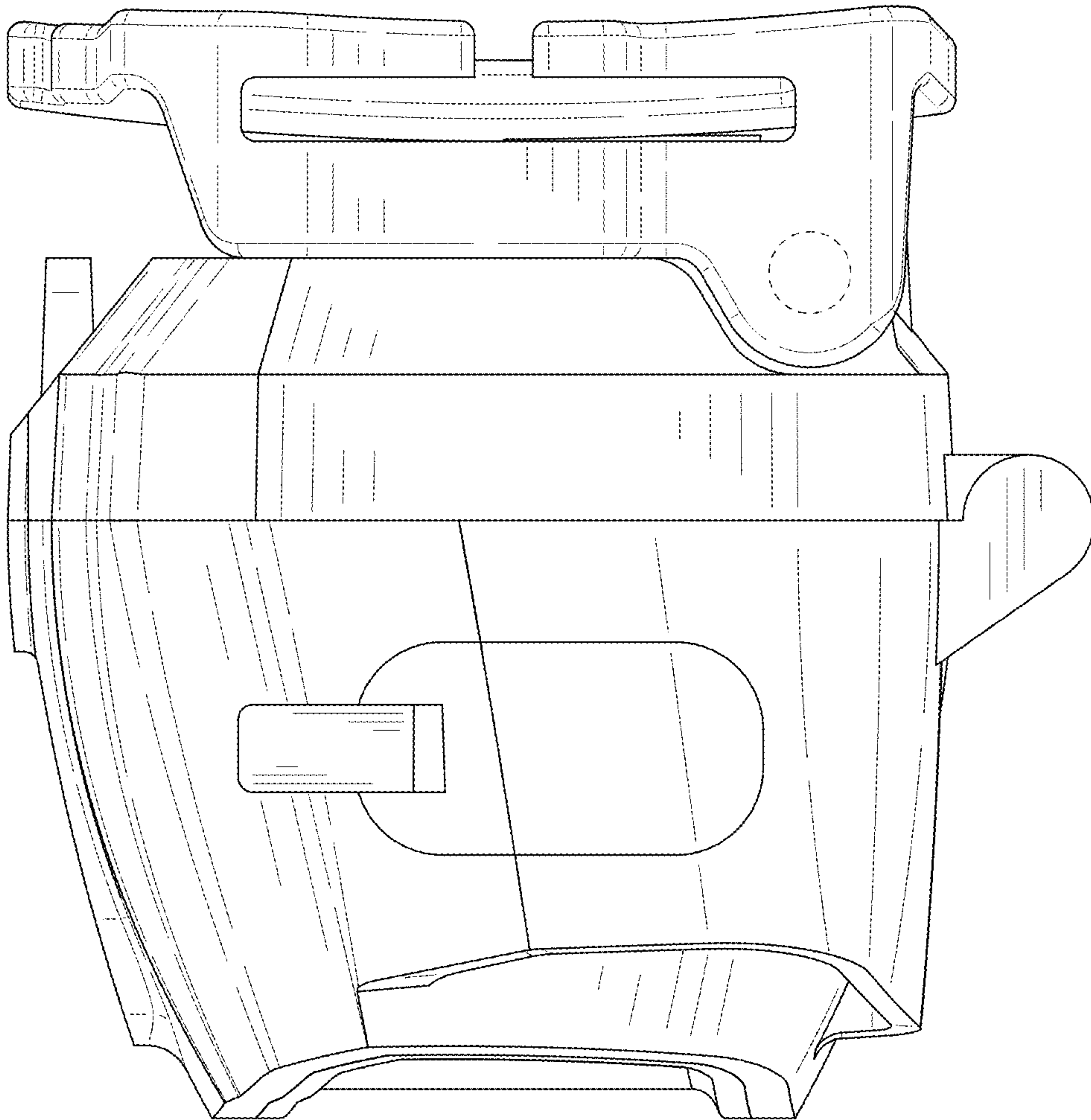


FIG. 6

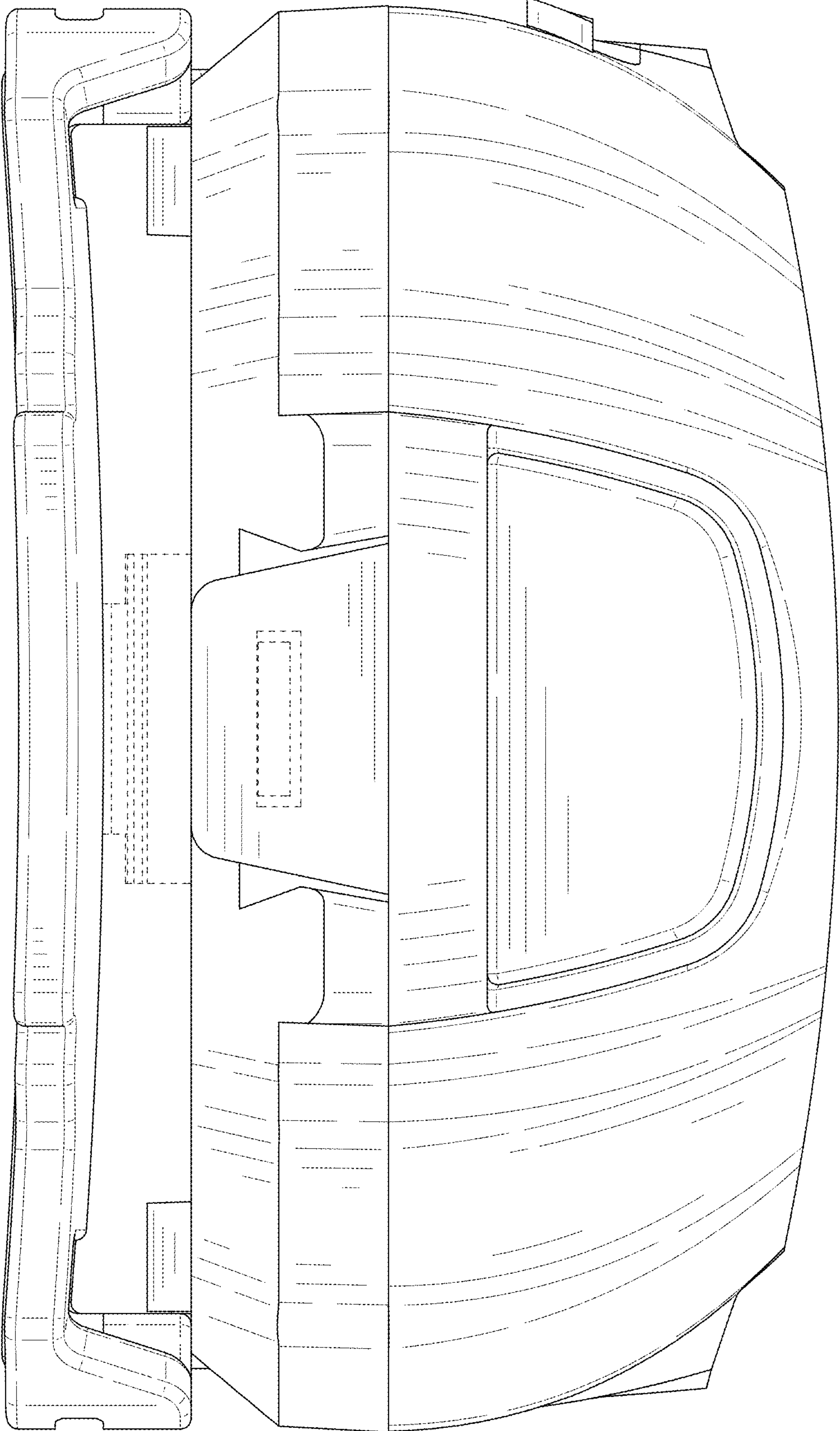


FIG. 7

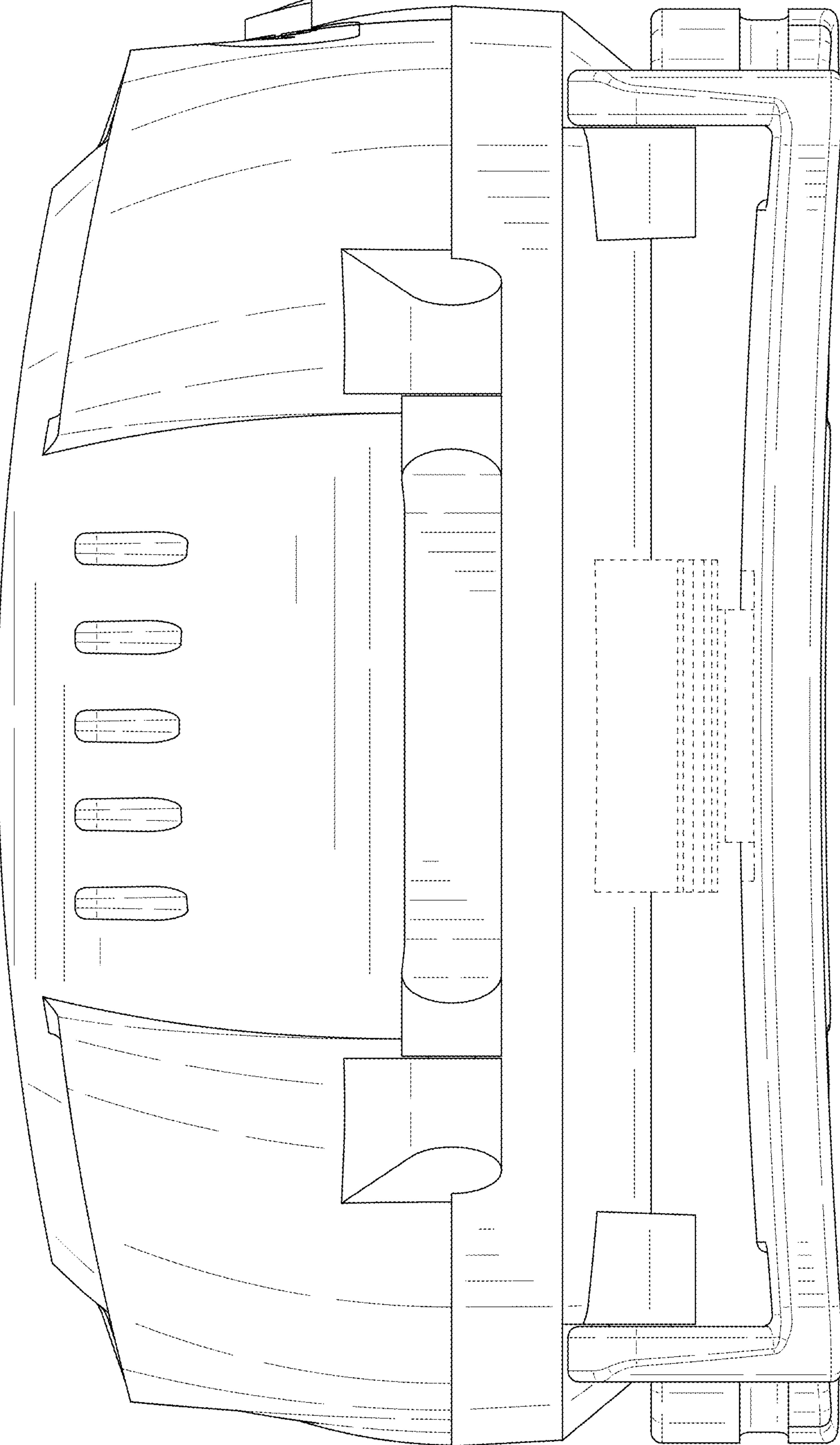


FIG. 8