



US00D963908S

(12) **United States Design Patent**
Lalli et al.

(10) **Patent No.:** **US D963,908 S**
(45) **Date of Patent:** **** Sep. 13, 2022**

(54) **MEDICAL DEVICE LIGHTING MODULE**

(71) Applicant: **CEEK Women’s Health, Inc.,**
Portland, OR (US)

(72) Inventors: **Maria Lalli, Portland, OR (US);**
Wesley Hare, Portland, OR (US); Katie
Lee, Portland, OR (US); Christian
Freissler, Portland, OR (US); Chase
Thompson, Portland, OR (US); Jia Lu
Ni, Portland, OR (US)

(73) Assignee: **CEEK Women’s Health, Inc.,**
Portland, OR (US)

(**) Term: **15 Years**

(21) Appl. No.: **29/690,667**

(22) Filed: **May 9, 2019**

Related U.S. Application Data

(63) Continuation-in-part of application No. 15/468,934,
filed on Mar. 24, 2017, now Pat. No. 10,687,699.

(51) **LOC (13) Cl.** **26-02**

(52) **U.S. Cl.**
USPC **D26/37**

(58) **Field of Classification Search**
USPC D26/24, 37–51, 60–66, 113, 118–120,
D26/138; D24/111, 127, 133, 137, 141,
D24/152, 156, 176, 135
CPC A61B 1/32; A61B 1/0669; A61B 1/00105;
A61B 1/0676; A61B 1/07; A61B 1/31;
A61B 17/14; A61B 1/00142; A61B 1/06;
A61B 1/227; A61B 1/303; Y10S 362/804;
F21W 2131/20
See application file for complete search history.

(56) **References Cited**

U.S. PATENT DOCUMENTS

2,524,881 A 10/1950 Chambers
3,592,199 A 7/1971 Ostensen

3,675,641 A 7/1972 Fiore
3,716,047 A 2/1973 Moore
3,789,835 A 2/1974 Whitman
3,851,642 A 12/1974 McDonald
4,006,738 A 2/1977 Moore
4,067,323 A 1/1978 Troutner
4,156,424 A 5/1979 Burgin

(Continued)

FOREIGN PATENT DOCUMENTS

WO WO-1998/025512 6/1998

OTHER PUBLICATIONS

Nella VuSleeve and VuLight. By Notable Commercial Equipment Award. Dated Jun. 12, 2019. Found online [Dec. 23, 2021]. <https://designawards.core77.com/Commercial-Equipment/85825/Nella-VuSleeve-and-VuLight> (Year: 2019).*

Primary Examiner — Marissa J Cash
Assistant Examiner — William B Melliar

(74) *Attorney, Agent, or Firm* — Mintz, Levin, Cohn,
Ferris, Glovsky and Popeo, P.C.

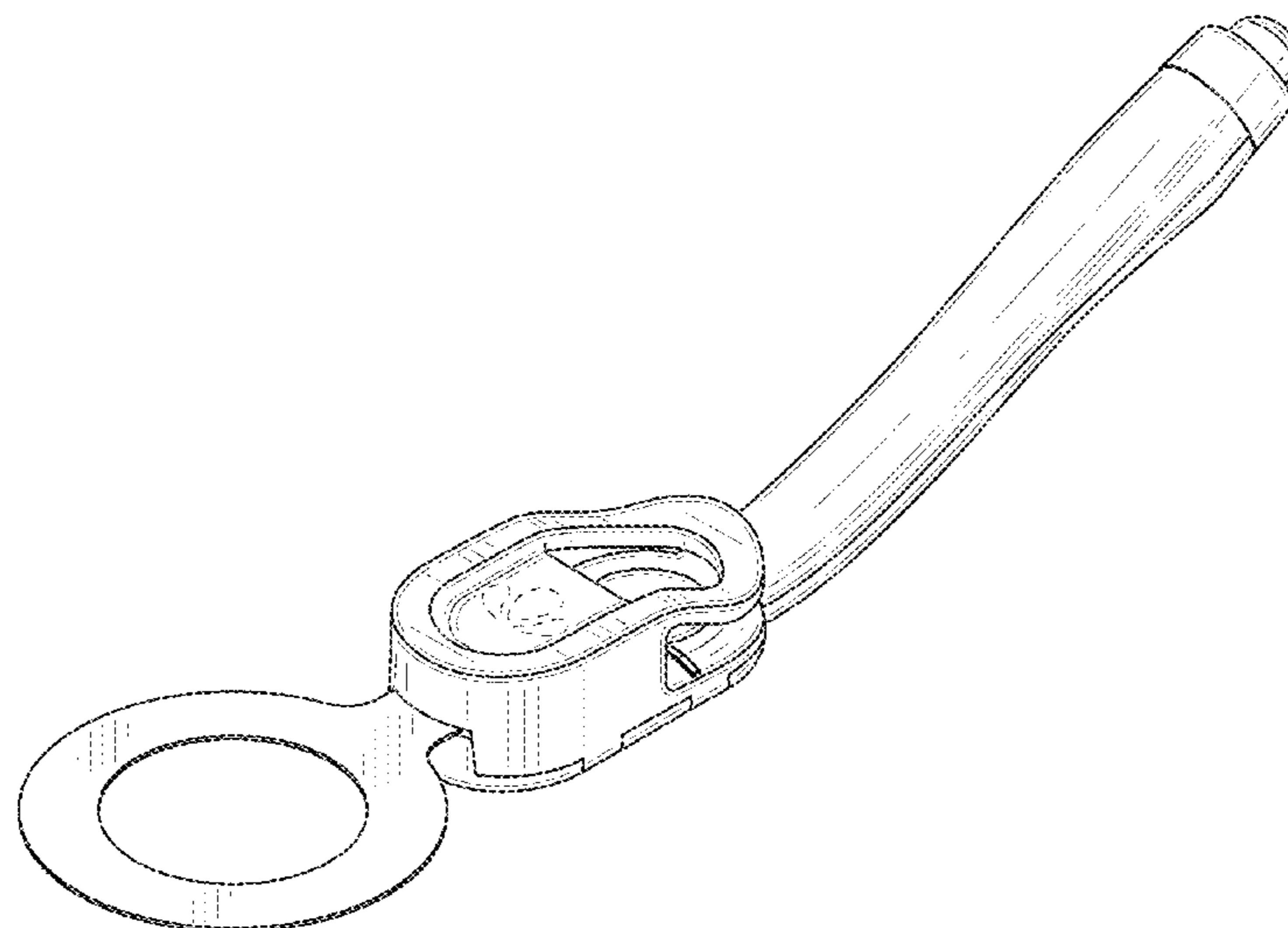
(57) **CLAIM**

The ornamental design for a medical device lighting module, as shown and described.

DESCRIPTION

FIG. 1 is a front, right side, and top perspective view a medical device lighting module of our design;
FIG. 2 is a top view thereof;
FIG. 3 is a bottom view thereof;
FIG. 4 is a right side view thereof;
FIG. 5 is a left side view thereof;
FIG. 6 is a front view thereof; and,
FIG. 7 is a rear view thereof.
The dash-dash broken lines form portions of the medical device lighting module that form no part of the claimed design.

1 Claim, 4 Drawing Sheets



(56)

References Cited

U.S. PATENT DOCUMENTS

4,300,541	A	11/1981	Burgin		7,758,206	B2	7/2010	Kim	
4,337,763	A	7/1982	Petrassevich		D634,014	S *	3/2011	Noui	D24/176
4,344,419	A	8/1982	Burgin		8,083,673	B2	12/2011	Rosen	
4,380,998	A	4/1983	Kieffer		8,096,945	B2	1/2012	Buchok	
4,502,468	A	3/1985	Burgin		8,142,352	B2	3/2012	Vivenzio	
4,562,832	A	1/1986	Wilder		8,157,728	B2	4/2012	Danna	
4,566,439	A	1/1986	Burgin		8,267,855	B2	9/2012	Barker	
4,597,383	A	7/1986	Vanderbel		8,376,942	B2	2/2013	Krauter	
4,619,248	A	10/1986	Walsh		8,388,523	B2	3/2013	Vivenzio	
4,638,792	A	1/1987	Burgin		8,435,175	B2	5/2013	McMahon	
4,905,670	A	3/1990	Adair		D712,035	S *	8/2014	Ting	D24/152
D309,663	S *	7/1990	Robinson	D24/111	8,808,175	B2	8/2014	Deitch	
5,026,368	A	6/1991	Adair		8,821,395	B2	9/2014	McMahon	
D329,899	S *	9/1992	Rihani	D24/139	8,876,711	B2	11/2014	Lin	
5,143,054	A	9/1992	Adair		9,301,673	B2	4/2016	Sun	
5,179,938	A	1/1993	Lonky		9,314,149	B2	4/2016	Vivenzio	
D345,796	S *	4/1994	Pernicka	D24/133	9,332,898	B2	5/2016	McMahon	
5,329,938	A	7/1994	Lonky		9,532,706	B2	1/2017	McMahon	
5,465,709	A *	11/1995	Dickie	A61B 1/32 600/223	D812,746	S *	3/2018	Umemura	D24/133
5,499,964	A	3/1996	Beck		D838,022	S *	1/2019	Leegate	D26/39
5,716,329	A	2/1998	Dieter		D864,450	S *	10/2019	Chen	D26/42
5,785,648	A	7/1998	Min		D879,291	S *	3/2020	Elazar	D24/139
5,846,249	A	12/1998	Thompson		D933,208	S *	10/2021	Wirth	D24/133
5,865,729	A	2/1999	Meehan		2003/0176772	A1	9/2003	Yang	
5,873,820	A	2/1999	Norell		2005/0085699	A1	4/2005	Weiss	
6,004,265	A	12/1999	Hsu		2007/0156022	A1	7/2007	Patel	
6,048,308	A	4/2000	Strong		2007/0255110	A1	11/2007	Wax	
6,176,824	B1	1/2001	Davis		2008/0228038	A1	9/2008	McMahon	
6,379,296	B1	4/2002	Baggett		2008/0306345	A1	12/2008	Balas	
6,394,950	B1	5/2002	Weiss		2009/0076334	A1	3/2009	Chen	
6,432,049	B1	8/2002	Banta		2009/0198108	A1	8/2009	Chen	
6,450,952	B1	9/2002	Rioux		2010/0094092	A1	4/2010	Barker	
6,589,168	B2	7/2003	Thompson		2010/0191067	A1	7/2010	Chen	
6,595,917	B2	7/2003	Nieto		2010/0305406	A1	12/2010	Braun	
6,830,547	B2	12/2004	Weiss		2011/0237902	A1	9/2011	Rosen	
7,014,340	B2	3/2006	Bettis		2012/0078060	A1	3/2012	Swift	
7,311,663	B2	12/2007	Marcotte		2012/0108907	A1	5/2012	Fitipaldi	
7,553,020	B2	6/2009	Goldfain		2014/0039266	A1	2/2014	Porat	
7,631,981	B2	12/2009	Miller		2014/0309499	A1	10/2014	Swift	
7,749,162	B2	7/2010	Balas		2015/0238070	A1	8/2015	Lia	
7,758,203	B2	7/2010	McMahon		2016/0038012	A1 *	2/2016	McMahon	A61B 1/0669 600/210
					2018/0263480	A1 *	9/2018	Lalli	A61B 1/303

* cited by examiner

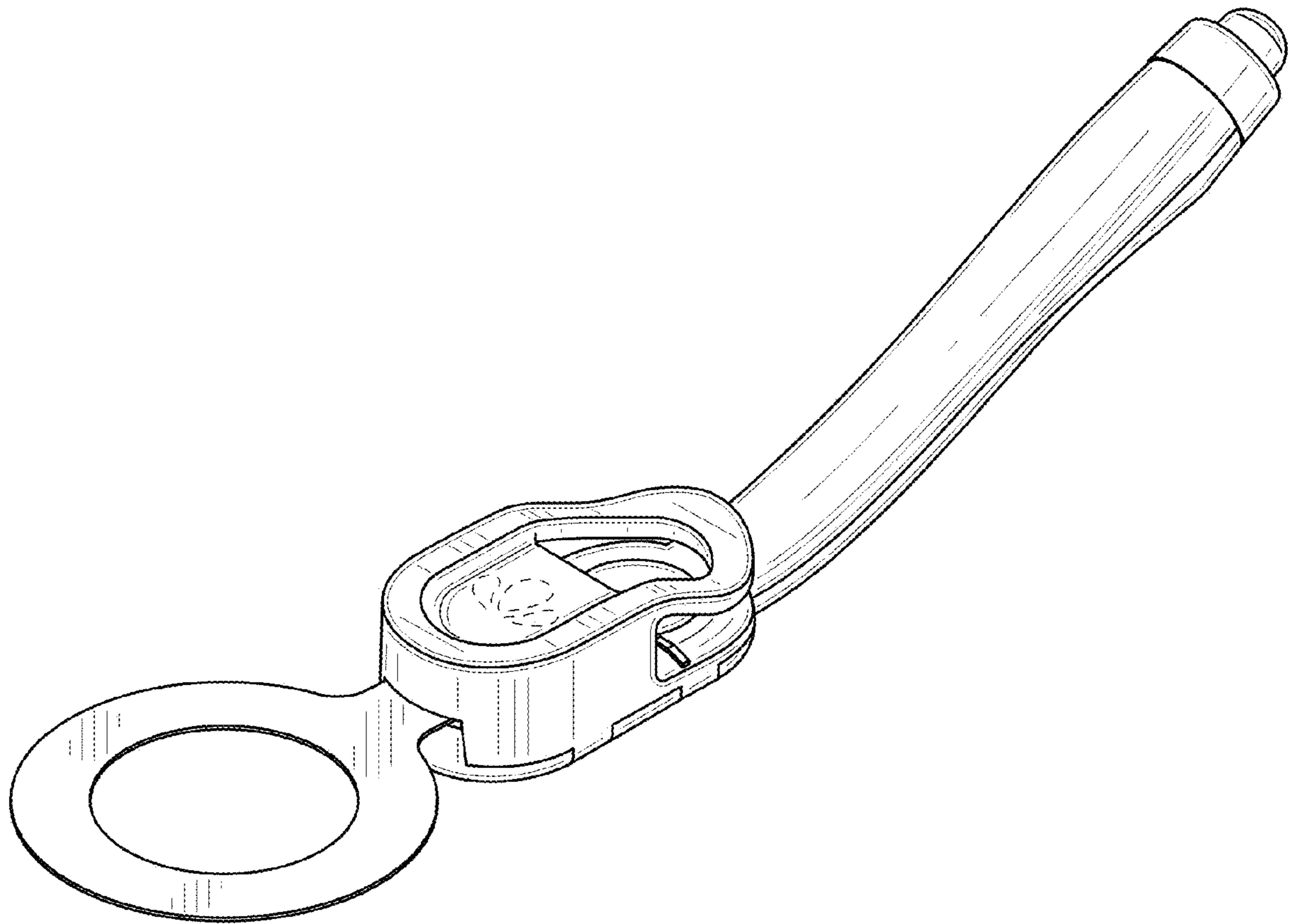


FIG. 1

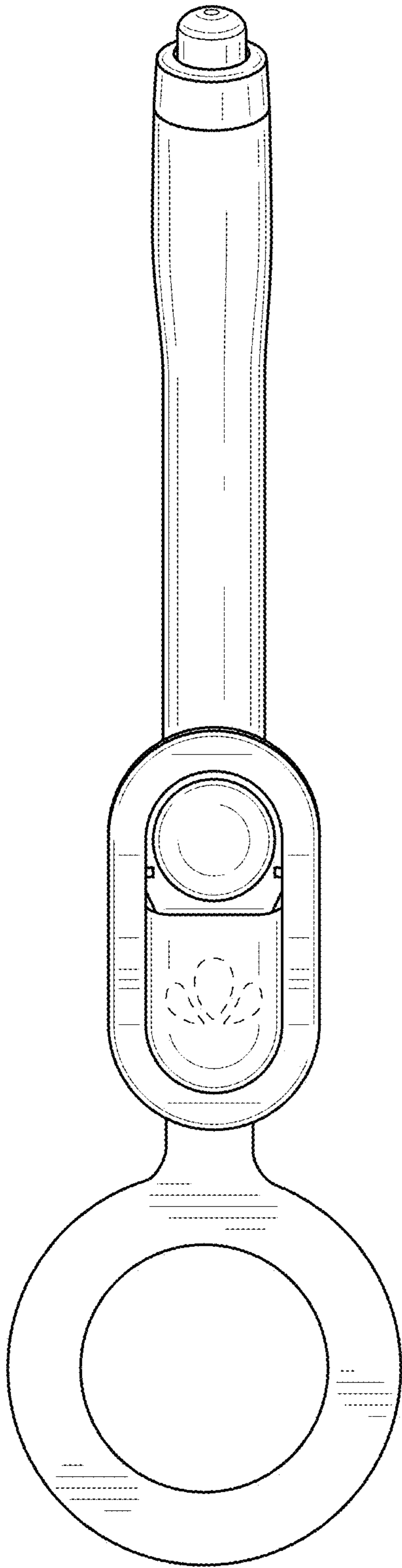


FIG. 2

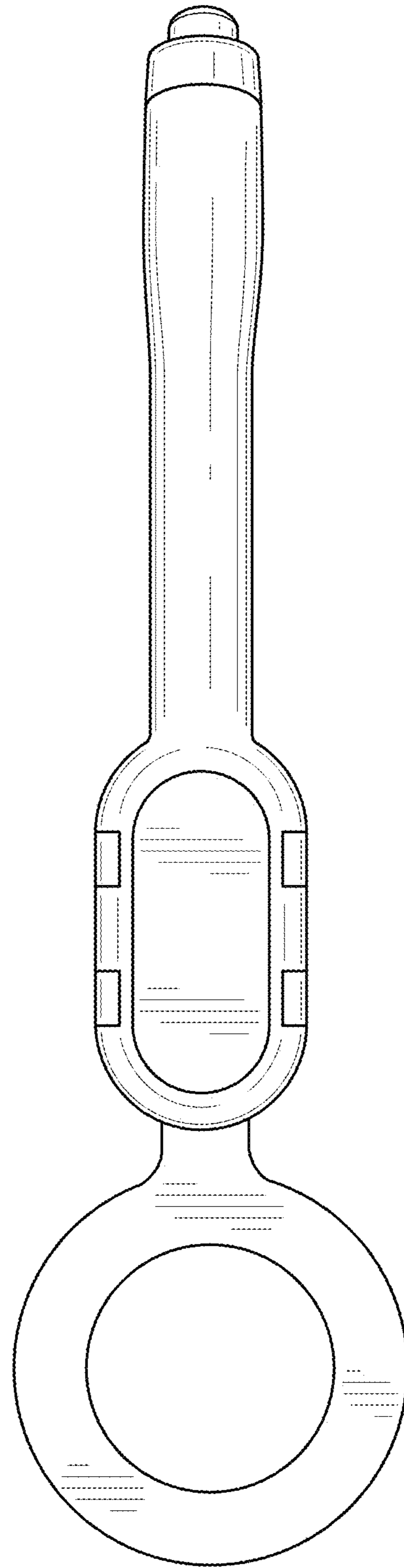


FIG. 3

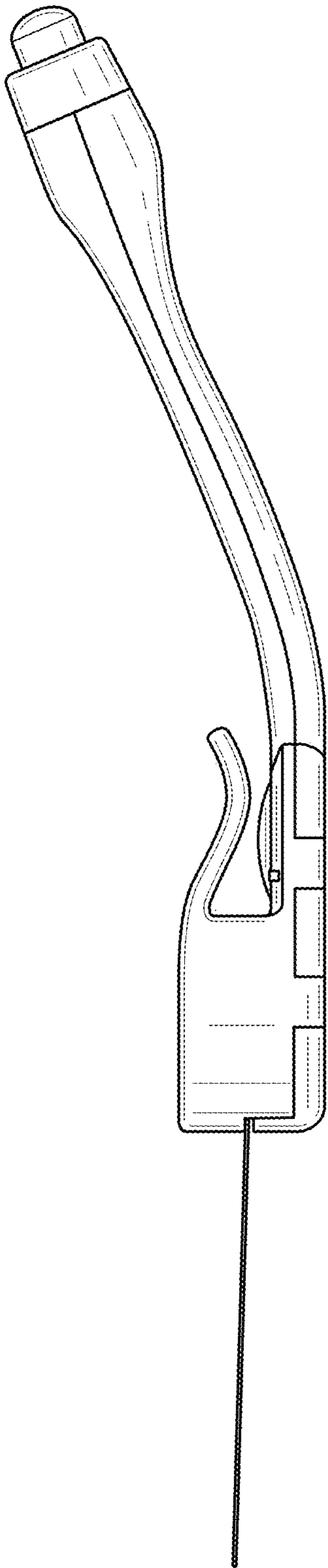


FIG. 4

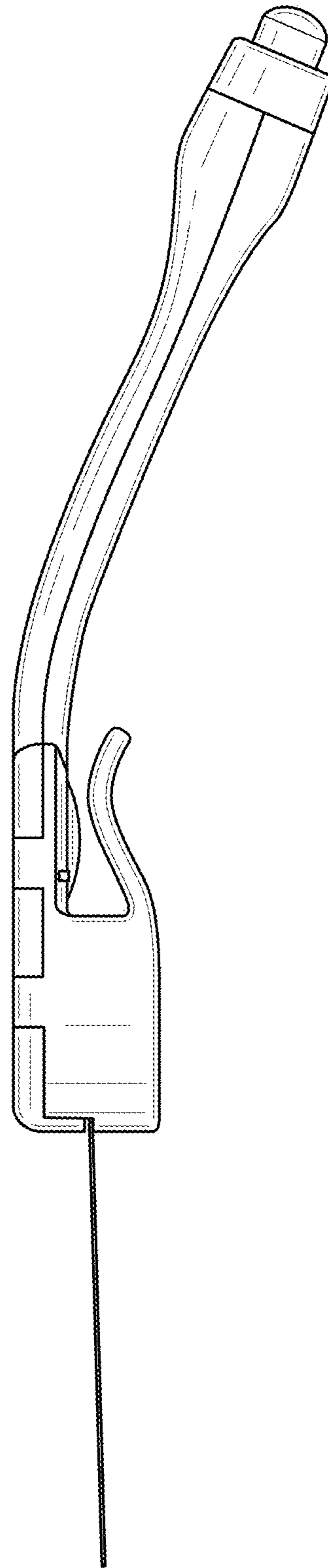


FIG. 5

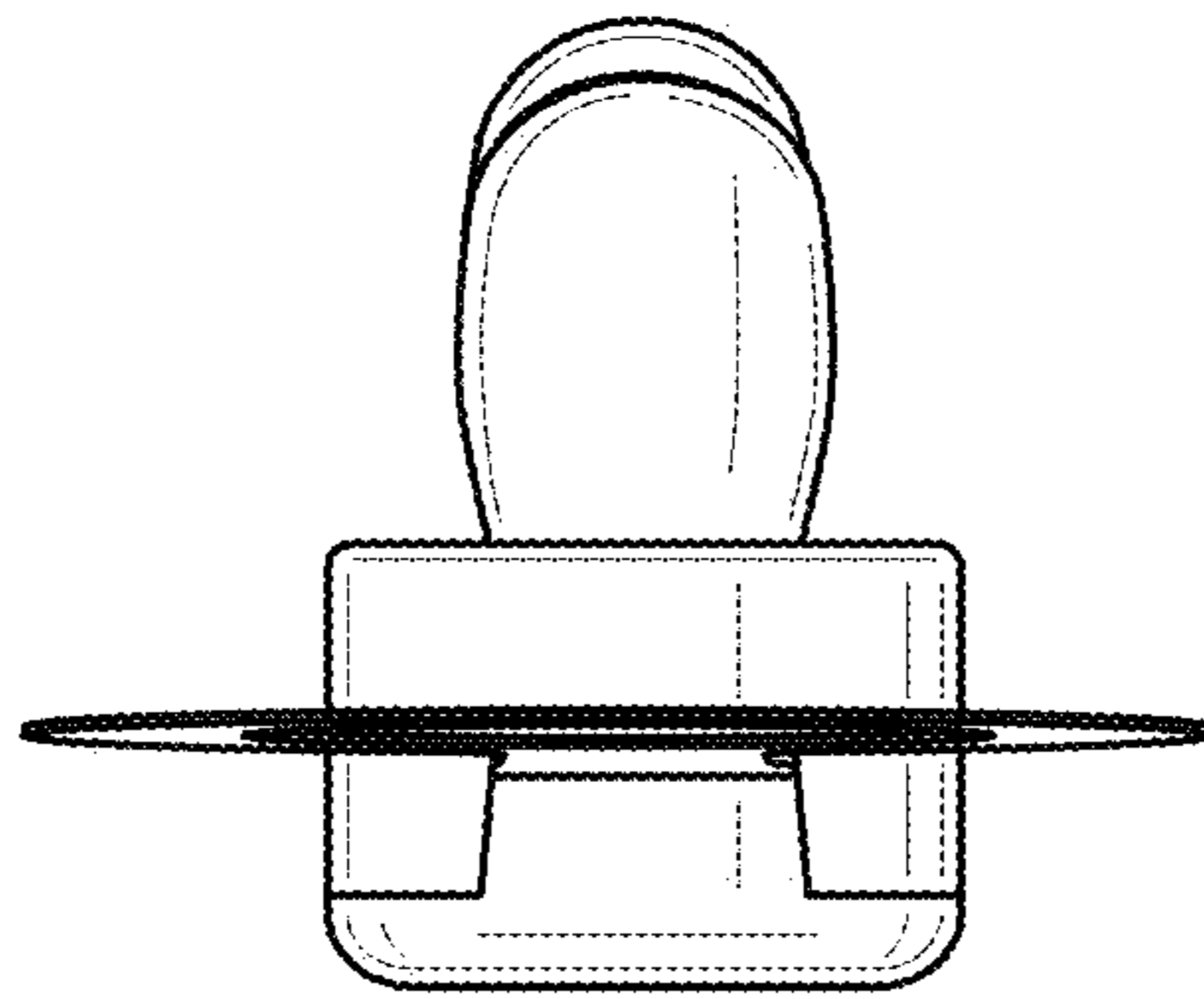


FIG. 6

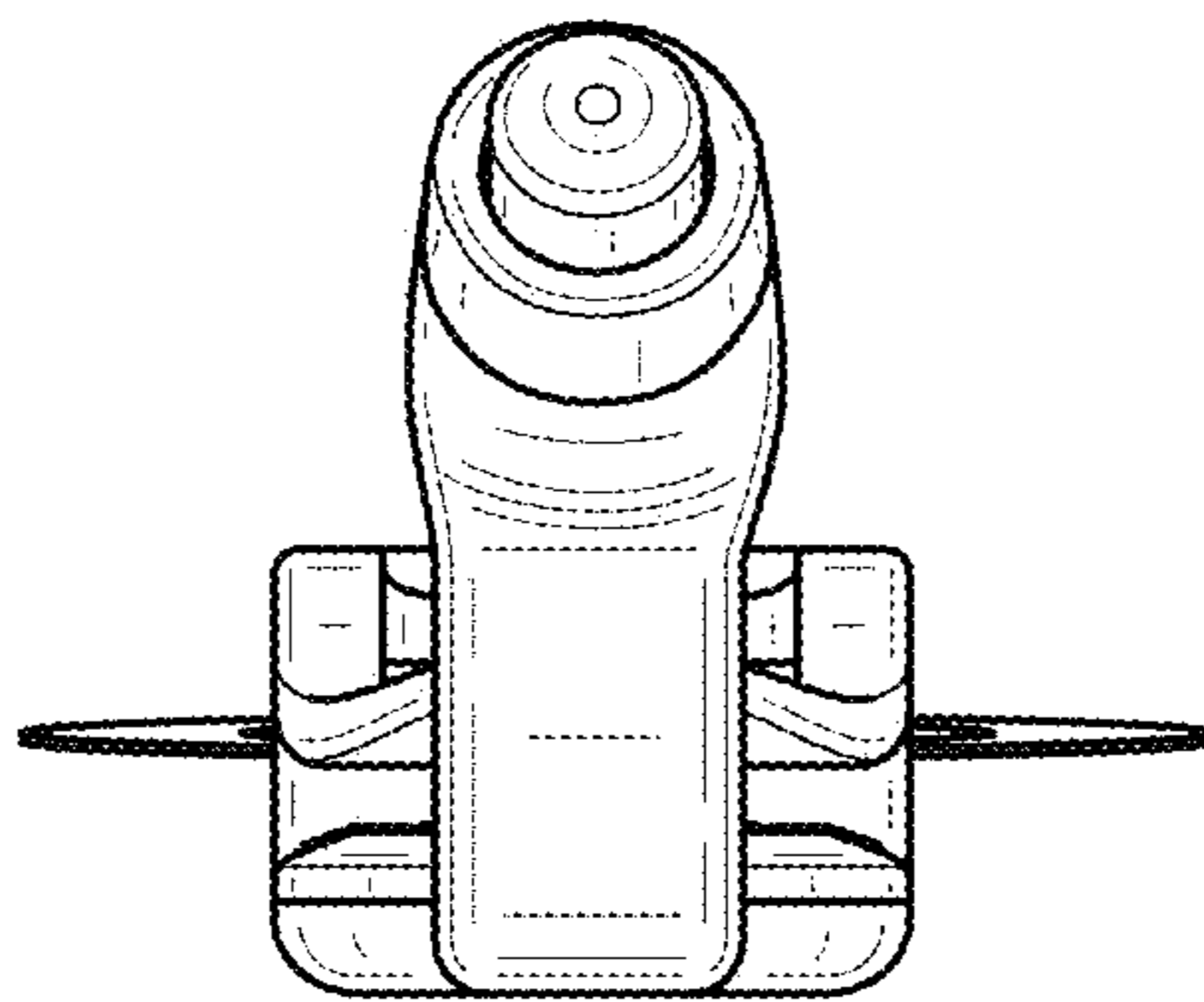


FIG. 7