



US00D963901S

(12) **United States Design Patent** (10) **Patent No.:** **US D963,901 S**
Liu (45) **Date of Patent:** **** Sep. 13, 2022**

(54) **CANDLE HOLDER**

(71) Applicant: **Tao Liu**, Tianjin (CN)

(72) Inventor: **Tao Liu**, Tianjin (CN)

(**) Term: **15 Years**

(21) Appl. No.: **29/824,778**

(22) Filed: **Jan. 27, 2022**

(51) **LOC (13) Cl.** **26-01**

(52) **U.S. Cl.**
USPC **D26/11**

(58) **Field of Classification Search**
USPC D26/1, 6, 7, 9, 11, 16, 93, 104, 106, 107
CPC F21L 2/00; F21L 4/00; F21L 4/02; F21L 4/025; F21L 4/027; F21L 14/00; F21S 2/00; F21S 8/03; F21S 8/033; F21S 8/035; F21S 6/002; F21S 6/004; F21S 8/036; F21S 8/037; F21S 9/00; F21S 9/02; F21V 21/10; F21V 21/108; F21W 2121/008

See application file for complete search history.

(56) **References Cited**

U.S. PATENT DOCUMENTS

- D68,044 S * 8/1925 Hellvik D26/104
- D77,239 S * 12/1928 Kaim F21V 37/0095
- 1,975,496 A * 10/1934 Barrett, Jr. F21V 35/00
- 2,050,151 A * 8/1936 Baumer F21V 37/0095
- D132,214 S * 4/1942 Swanson D26/104
- 2,439,467 A * 4/1948 Guilfoil, Jr. F21V 37/0095
- D184,290 S * 1/1959 Rettman D26/104
- D206,950 S * 2/1967 Colletti D26/11
- D208,065 S * 7/1967 Colletti D26/11
- D388,197 S * 12/1997 Cardoso D26/9

- 5,980,064 A * 11/1999 Metroyanis F21S 9/02
- D437,965 S * 2/2001 Diviak, Sr. F21V 37/0095
- D489,840 S * 5/2004 Liao F21V 35/00

(Continued)

FOREIGN PATENT DOCUMENTS

JP D1479943 * 9/2013

OTHER PUBLICATIONS

Amazon, "Red Cemetery Light with Gold Plastic Dome", first available Jun. 11, 2014. (<https://www.amazon.ca/dp/B0043GRFG4/>) (Year: 2014).*

(Continued)

Primary Examiner — Lauren D McVey

Assistant Examiner — Justin A Johnson

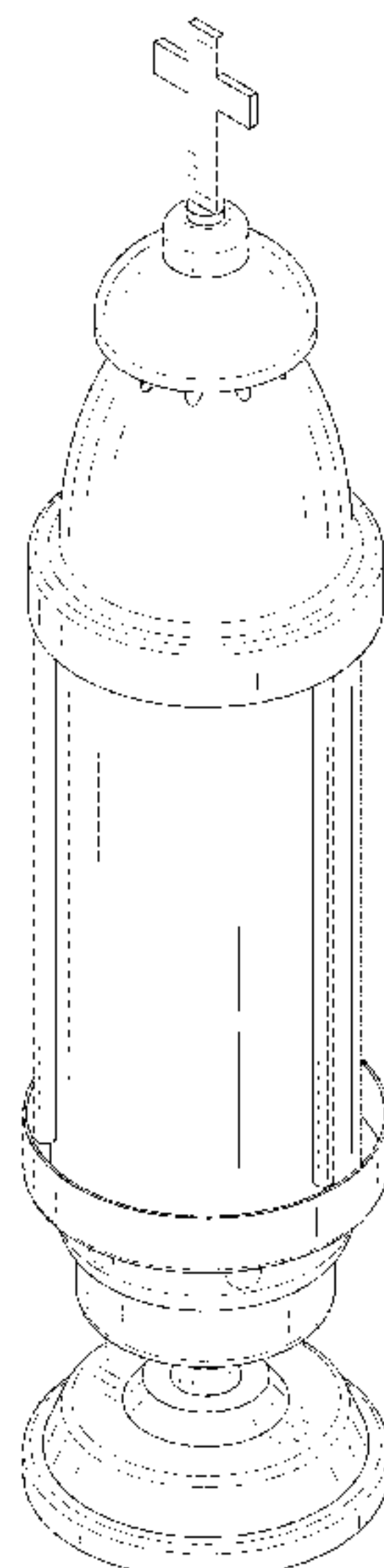
(57) **CLAIM**

The ornamental design for a candle holder, as shown and described.

DESCRIPTION

FIG. 1 is a perspective view of a candle holder showing my new design;
FIG. 2 is another perspective view thereof;
FIG. 3 is a front elevational view thereof;
FIG. 4 is a rear elevational view thereof;
FIG. 5 is a left side elevational view thereof;
FIG. 6 is a right side elevational view thereof;
FIG. 7 is a top plan view thereof;
FIG. 8 is a bottom plan view thereof; and,
FIG. 9 is an enlarged view of portion 9 shown in FIG. 2.
The dash-dash broken lines in the drawings depict portions of the candle holder that form no part of the claimed design. The dot-dash broken lines represent the boundary of the enlarged portion and form no part of the claimed design.

1 Claim, 9 Drawing Sheets



(56)

References Cited

U.S. PATENT DOCUMENTS

D810,968 S 2/2018 Redzinski
D831,242 S 10/2018 Fantasma

OTHER PUBLICATIONS

Amazon, "Stratford Chapel Brass Ornate Sanctuary Lamp", first available Nov. 19, 2016. (<https://www.amazon.ca/dp/B01FUVZWRO/>) (Year: 2016).*

Amazon, "Cemetery Light by Eternal Light Dome Memorial Light", first available Jan. 1, 2020. (<https://www.amazon.ca/Cemetery-Eternal-Memorial-Anodized-Aluminum/dp/B082W1VBHY>) (Year: 2020).*

Amazon, "Cemetery Light Candle Holder", first available Apr. 5, 2022. (<https://www.amazon.com/dp/B09X6W5C4S/>) (Year: 2022).*

* cited by examiner

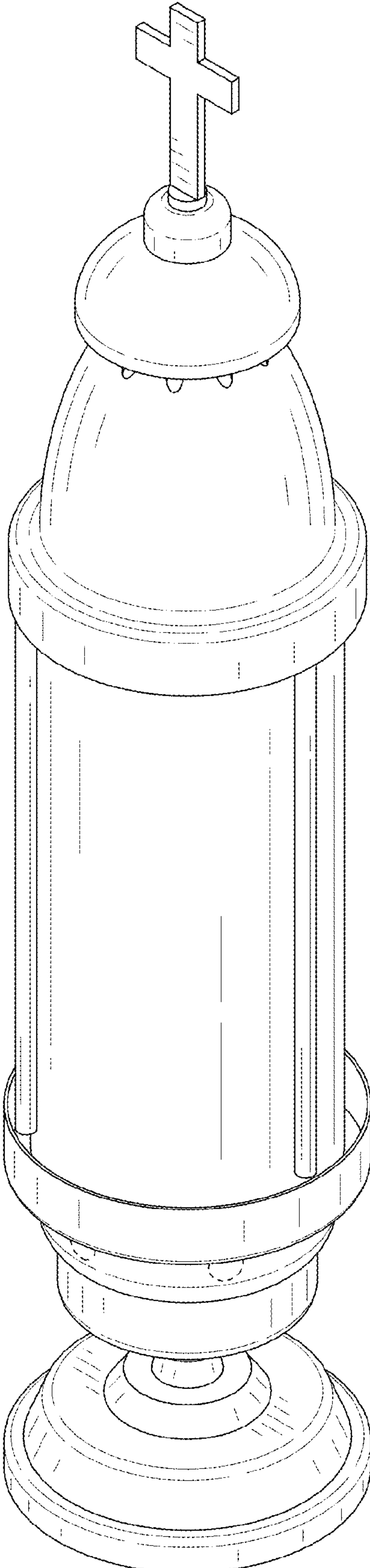


FIG. 1

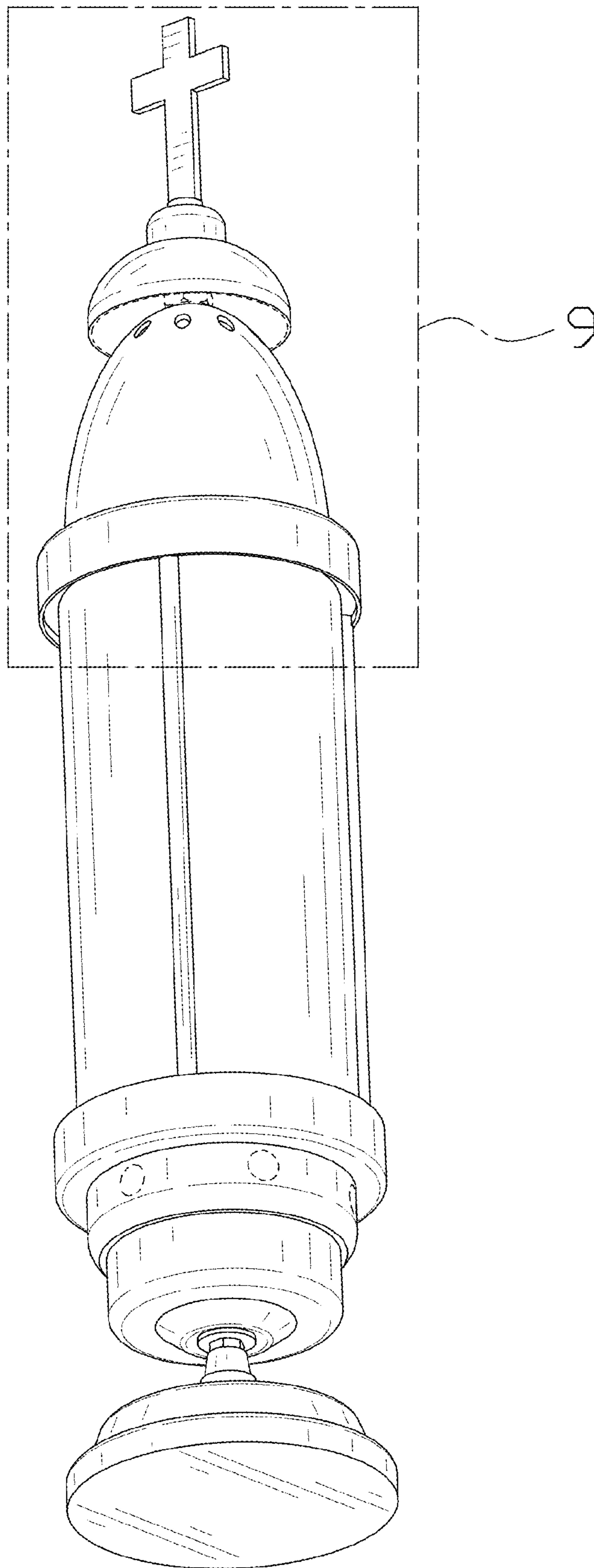


FIG. 2

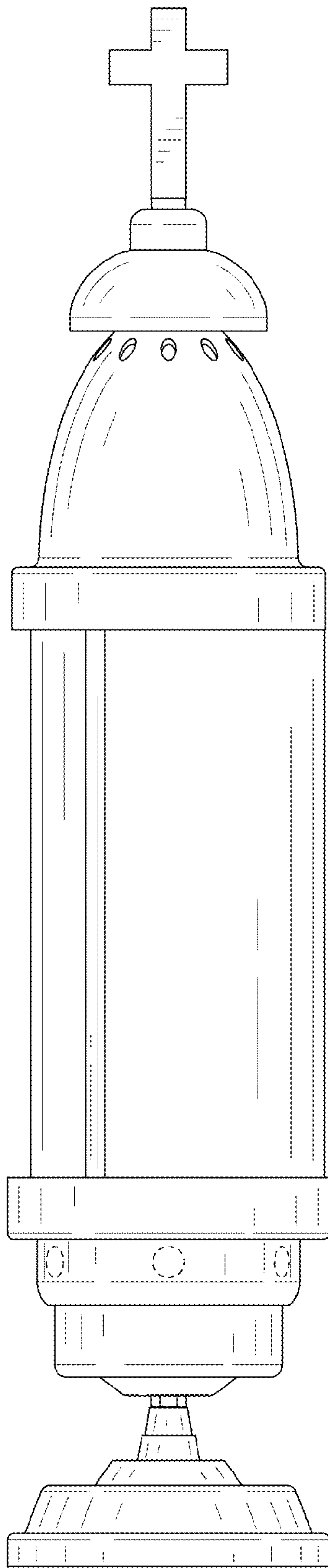


FIG. 3

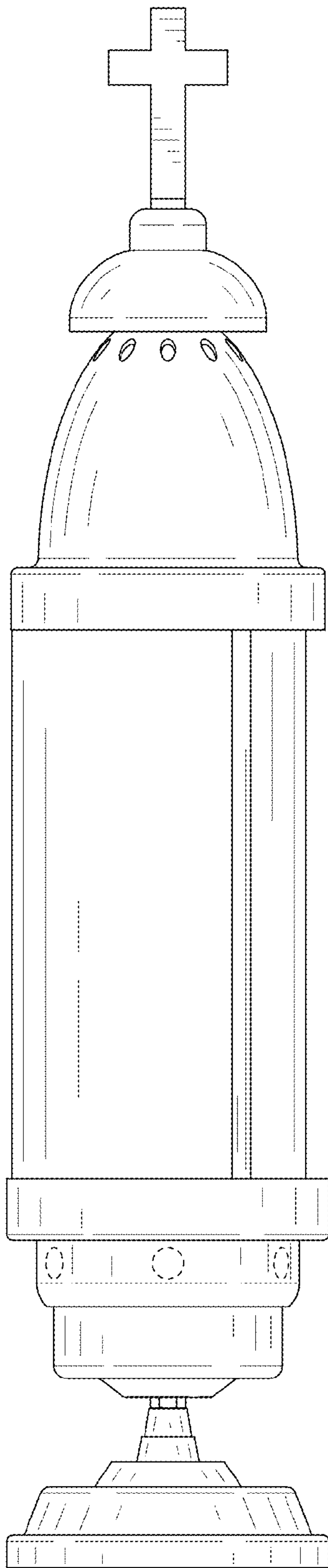


FIG. 4

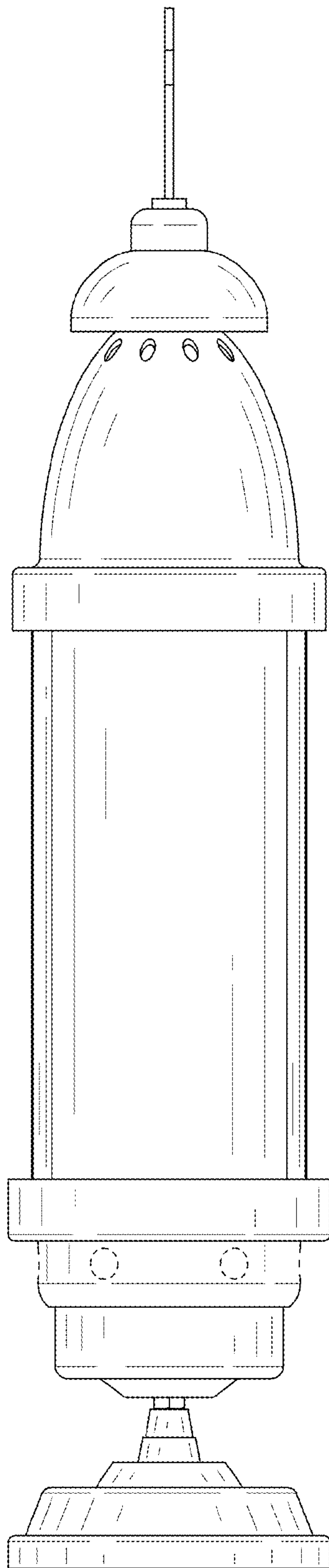


FIG. 5

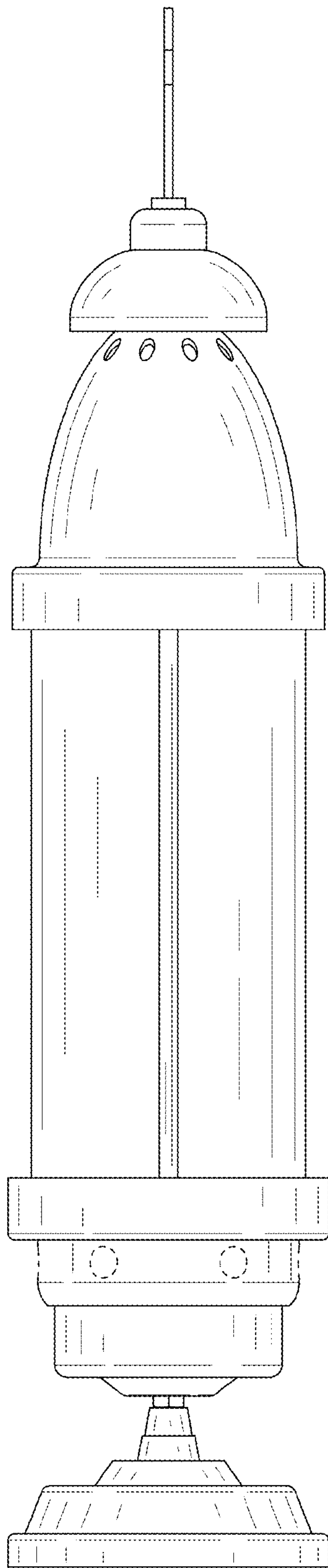


FIG. 6

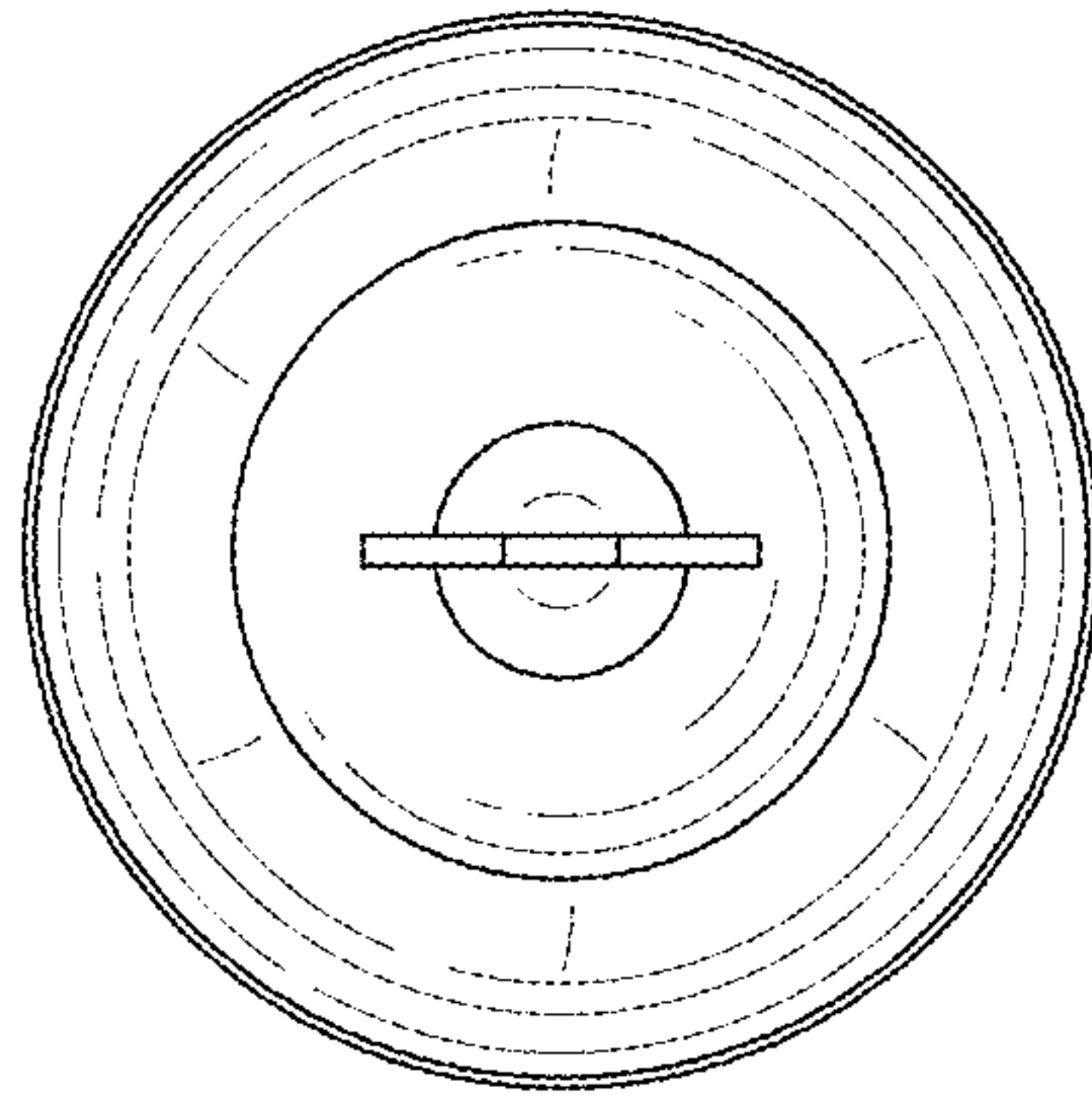


FIG. 7

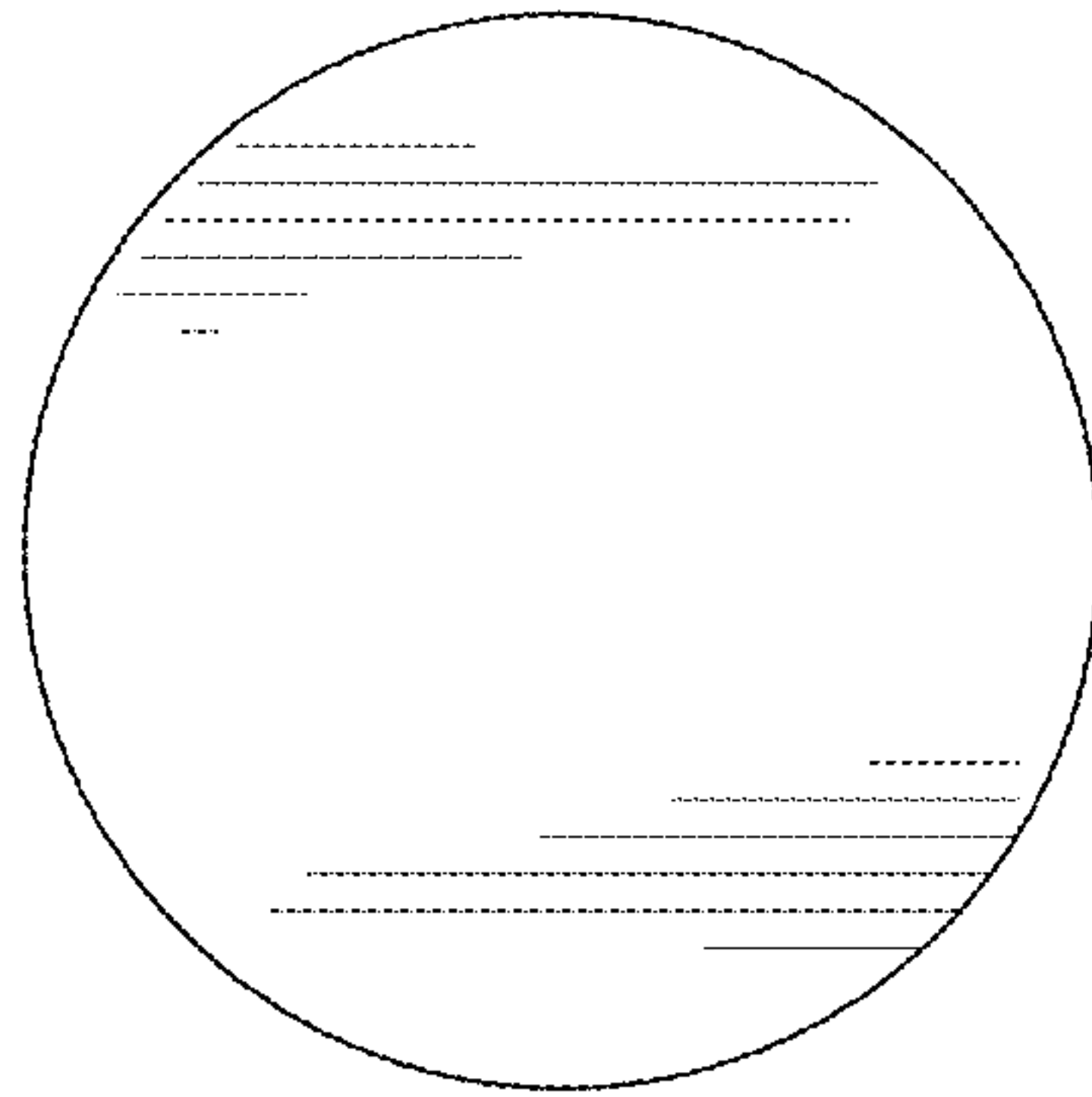


FIG. 8

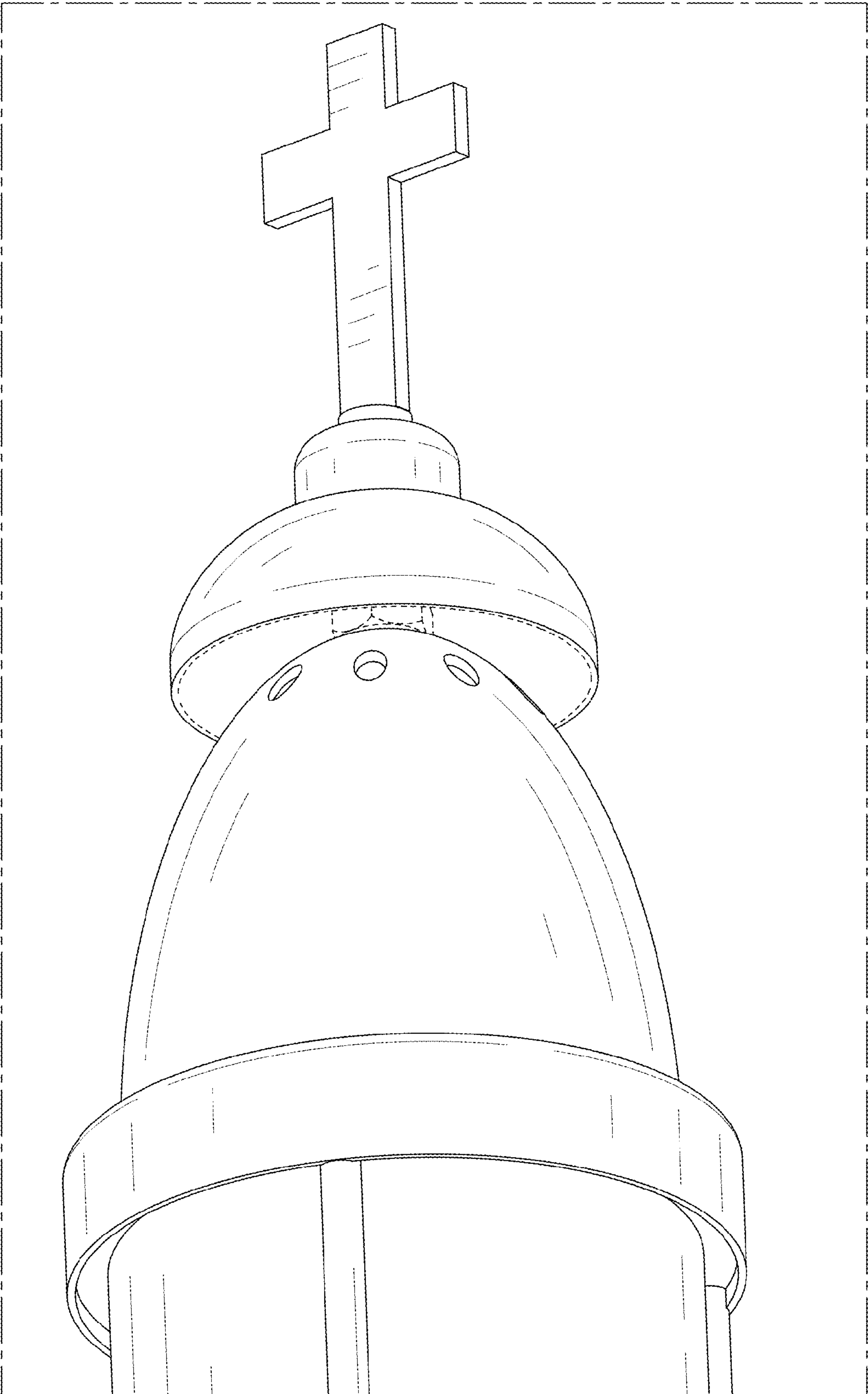


FIG. 9