



(12) **United States Design Patent** (10) **Patent No.:** **US D963,900 S**
Nelson et al. (45) **Date of Patent:** **** Sep. 13, 2022**

(54) **WINDOW COMPONENT**

(71) Applicant: **JELD-WEN, Inc.**, Charlotte, NC (US)

(72) Inventors: **Jacob Nelson**, Klamath Falls, OR (US);
Yoshua Gombo, Seattle, WA (US);
David Belau, Klamath Falls, OR (US);
Ryan Schroeder, Klamath Falls, OR (US);
Jerry Jones, Klamath Falls, OR (US)

(73) Assignee: **JELD-WEN, INC.**, Charlotte, NC (US)

(**) Term: **15 Years**

(21) Appl. No.: **29/710,182**

(22) Filed: **Oct. 21, 2019**

(51) **LOC (13) Cl.** **25-99**

(52) **U.S. Cl.**
USPC **D25/199**

(58) **Field of Classification Search**

USPC D25/35, 47.1, 48.2, 60, 119–124, 199;
D8/330, 331, 338, 342, 343, 382, 394,
D8/499

CPC E05C 17/00; E05C 19/02; E05C 19/022;
E05D 13/00; E05D 13/04; E05D 13/06;
E05D 13/08; E06B 3/96; E06B 3/9616;
E06B 3/9632; E06B 3/9636; E06B 3/99;
E06B 7/12; E06B 7/14; E06B 7/26

See application file for complete search history.

(56) **References Cited**

U.S. PATENT DOCUMENTS

7,003,917	B2 *	2/2006	Hetherington	E04F 21/0015 294/15
10,844,654	B1 *	11/2020	Smith	E06B 7/14
10,876,334	B2 *	12/2020	Santiago	E04G 23/0277
2015/0040492	A1 *	2/2015	Rafter	E06B 3/96 52/204.62
2020/0190896	A1 *	6/2020	Kindt	E06B 7/14
2021/0010321	A1 *	1/2021	Gombo	E06B 7/14

* cited by examiner

Primary Examiner — Llorelys Martinez

(74) *Attorney, Agent, or Firm* — Lorenz & Kopf, LLP

(57) **CLAIM**

The ornamental design for a window component, as shown and described.

DESCRIPTION

FIG. 1 is a front isometric view of a window component showing our new design.

FIG. 2 is a rear isometric view thereof.

FIG. 3 is a front elevation view thereof.

FIG. 4 is a rear elevation view thereof.

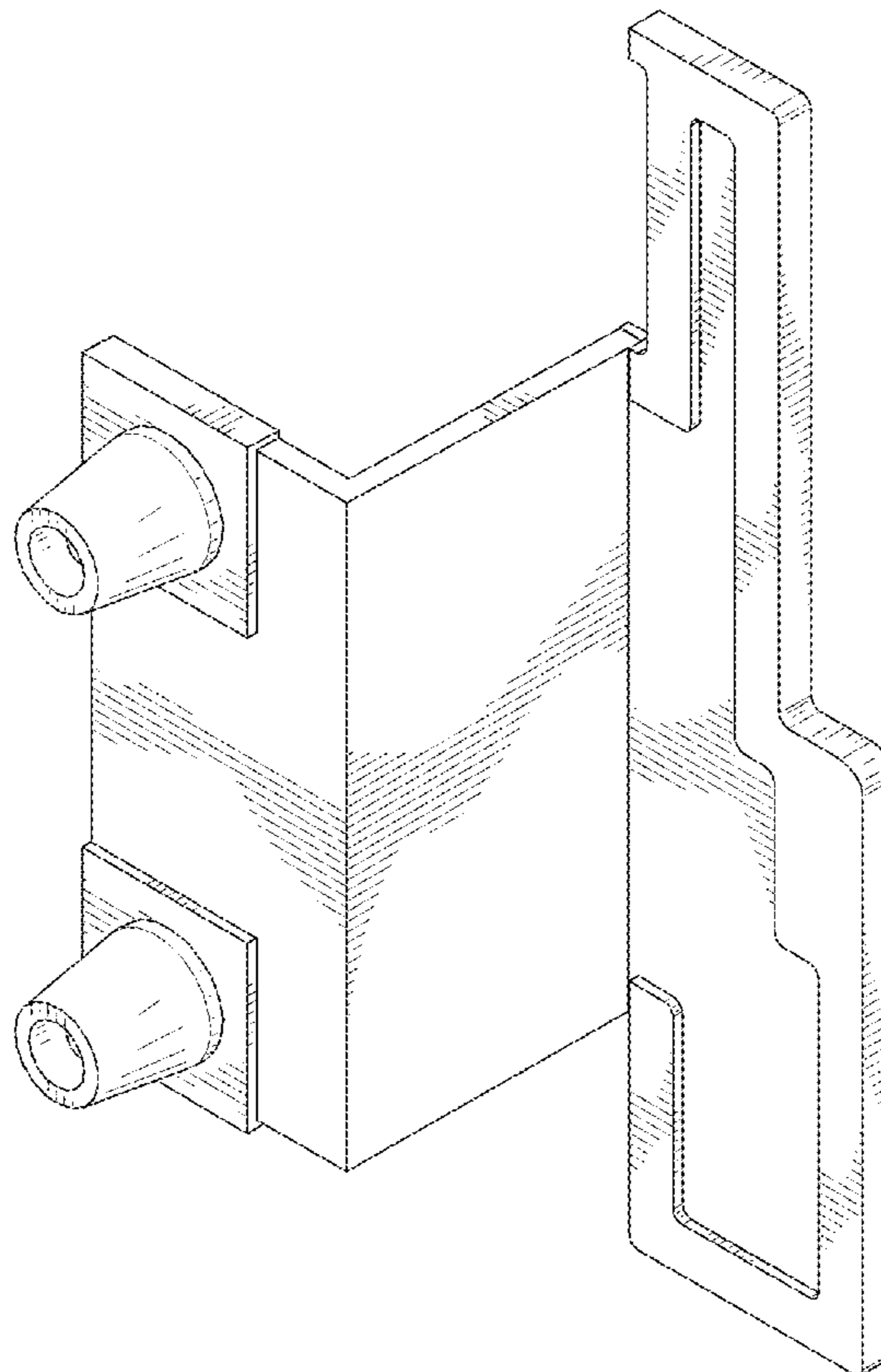
FIG. 5 is a right side elevation view thereof.

FIG. 6 is a left side elevation view thereof.

FIG. 7 is a top plan view thereof; and,

FIG. 8 is a bottom plan view thereof.

1 Claim, 7 Drawing Sheets



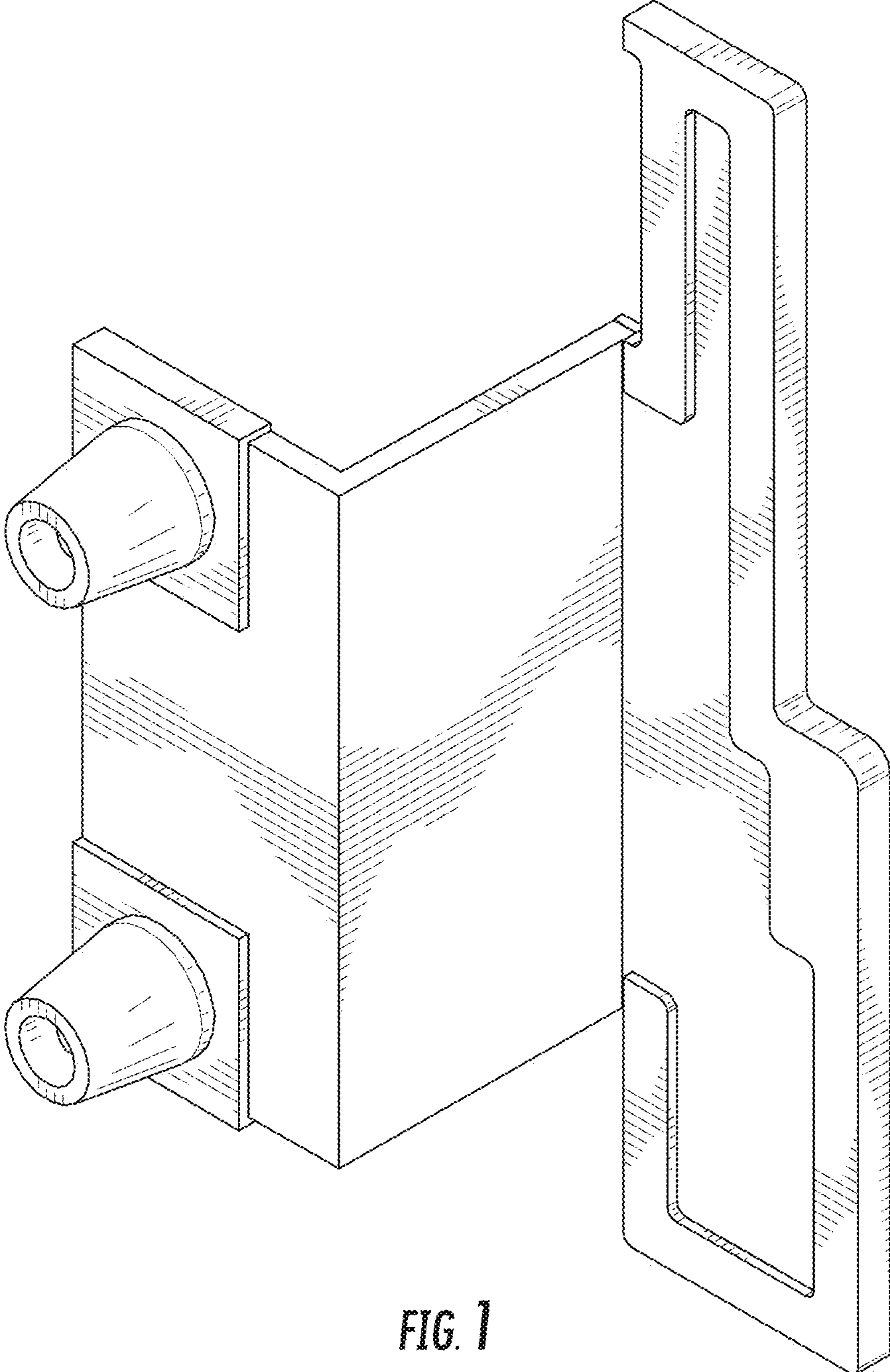


FIG. 1

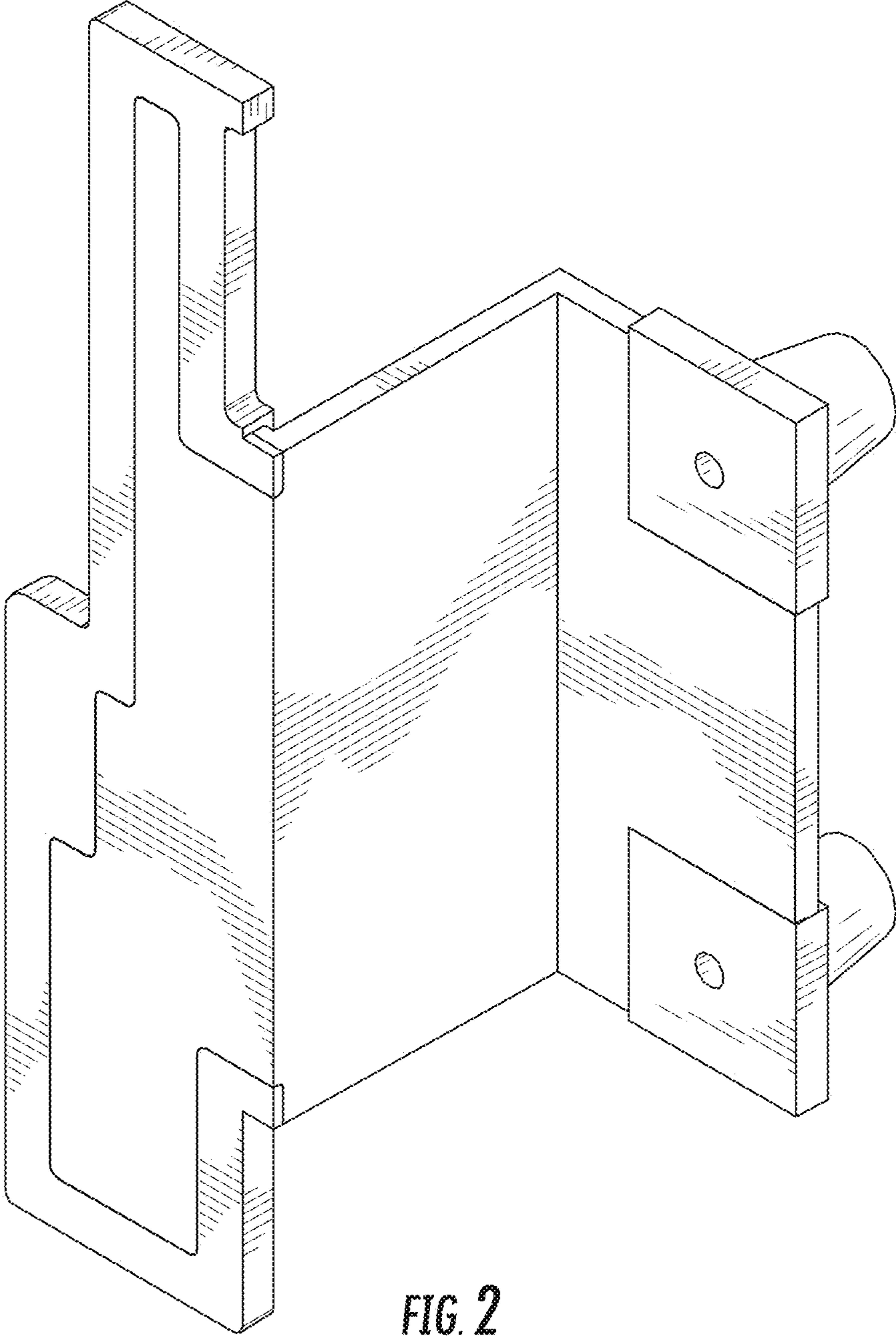


FIG. 2

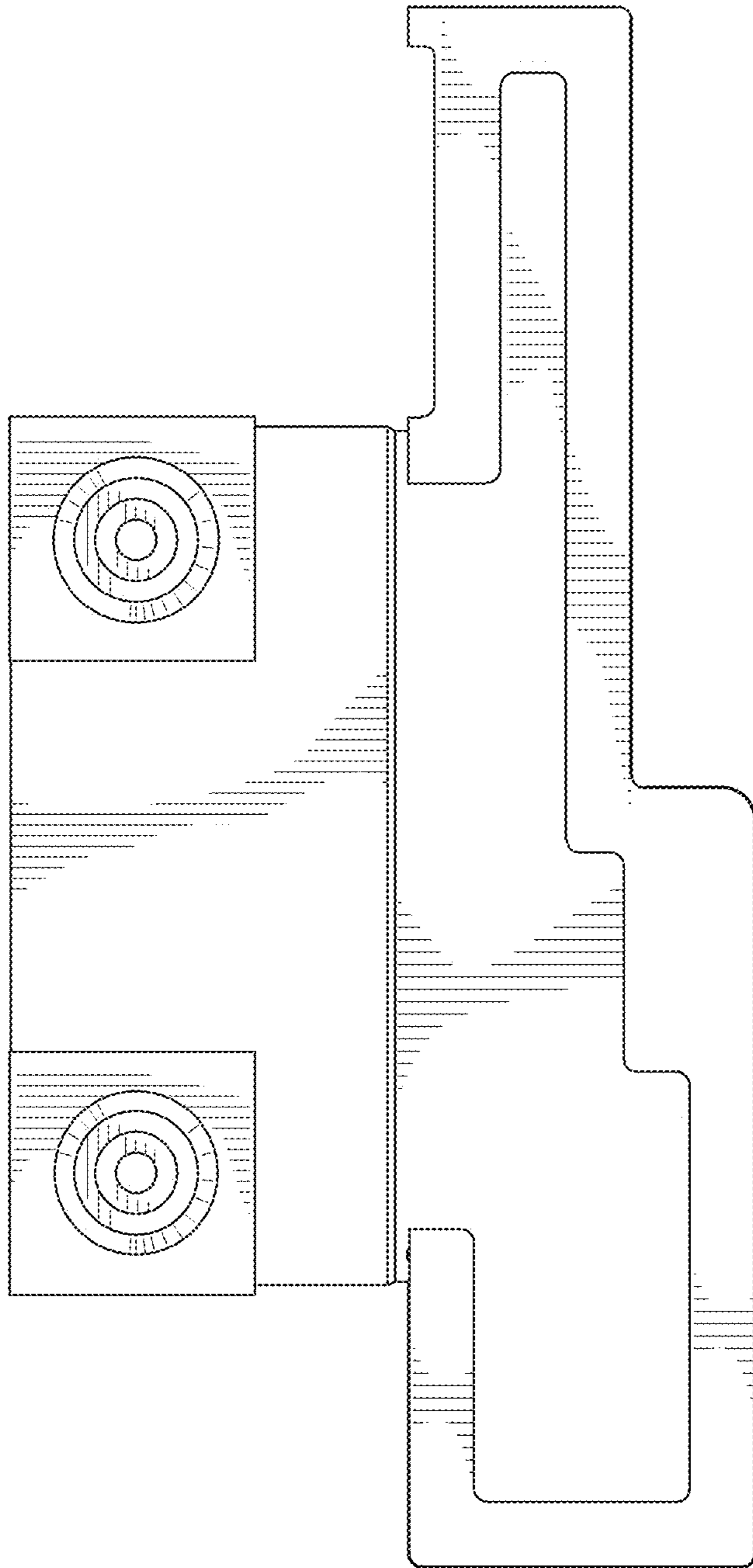


FIG. 3

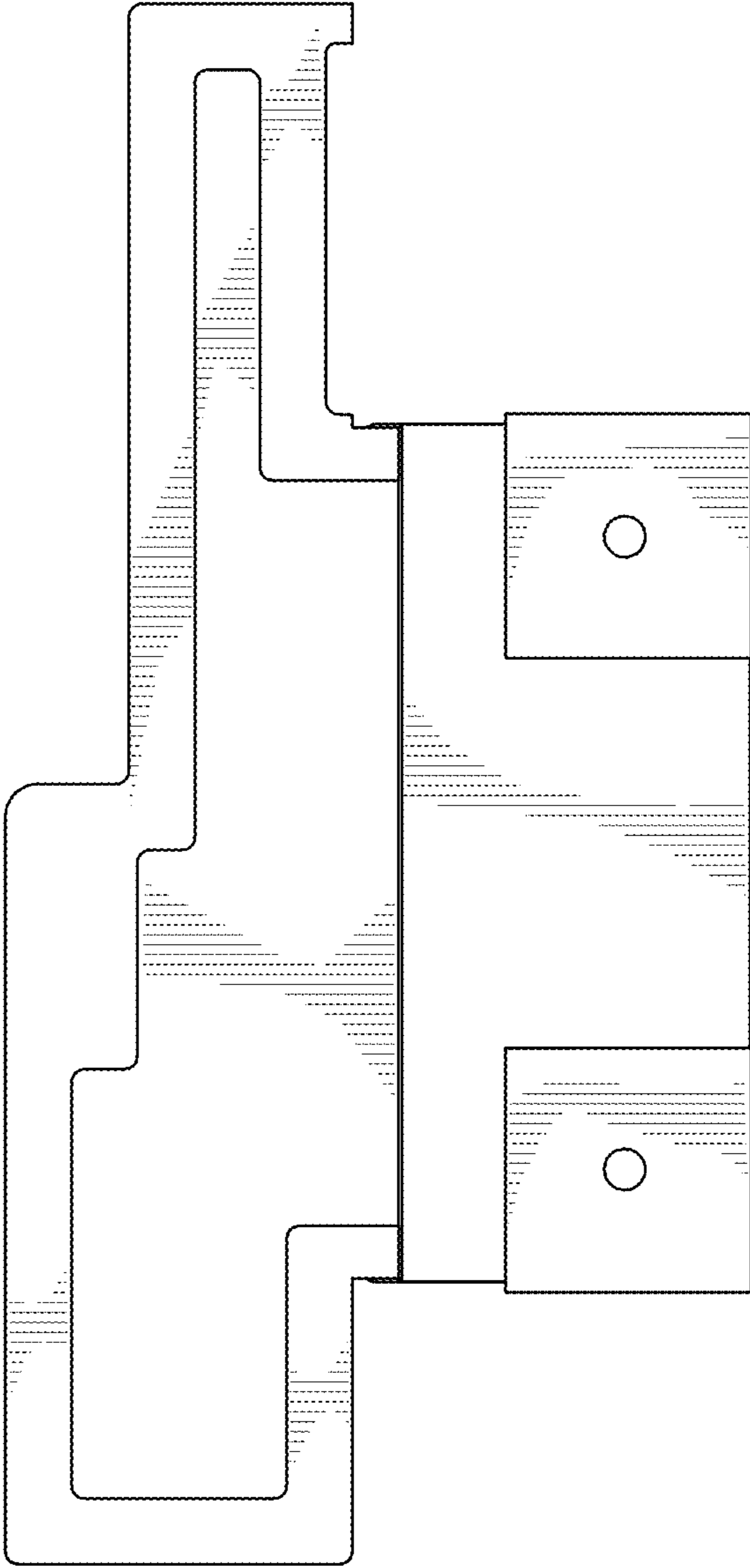


FIG. 4

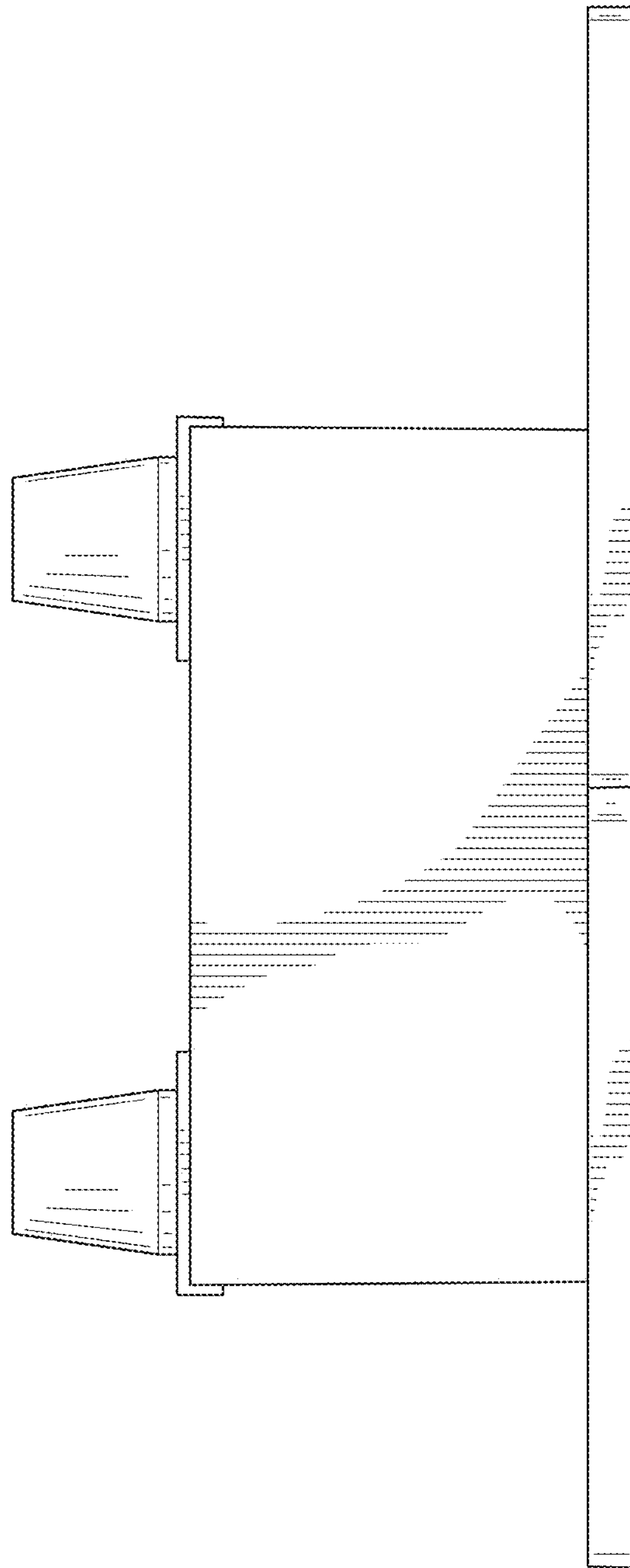


FIG. 5

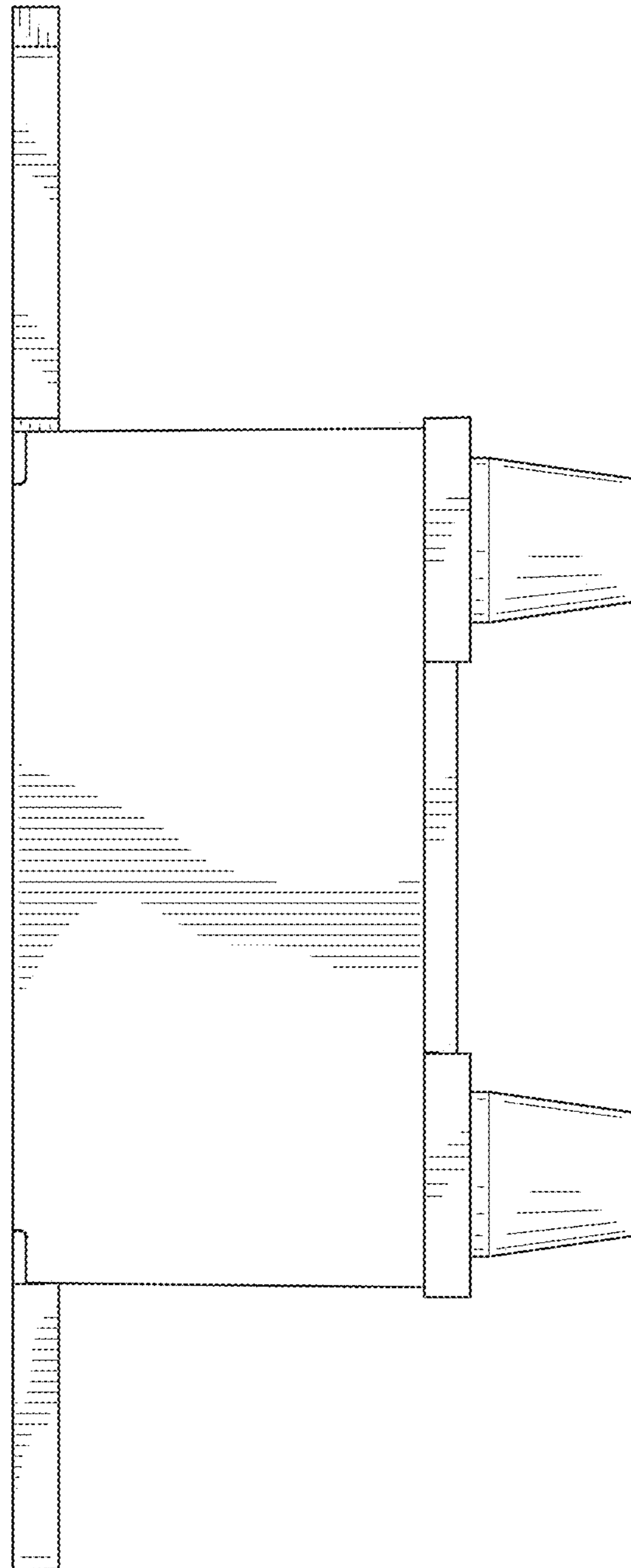


FIG. 6

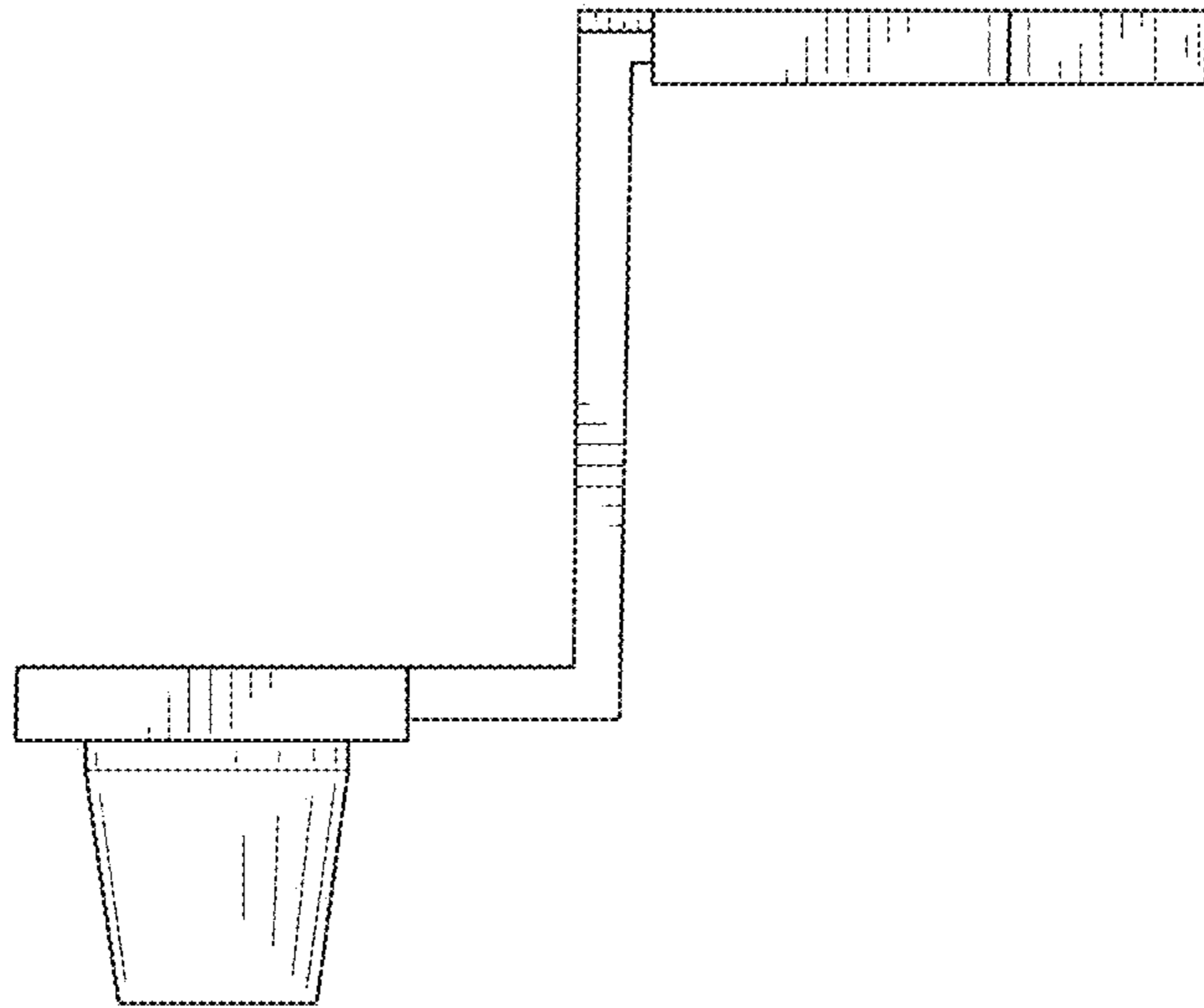


FIG. 7

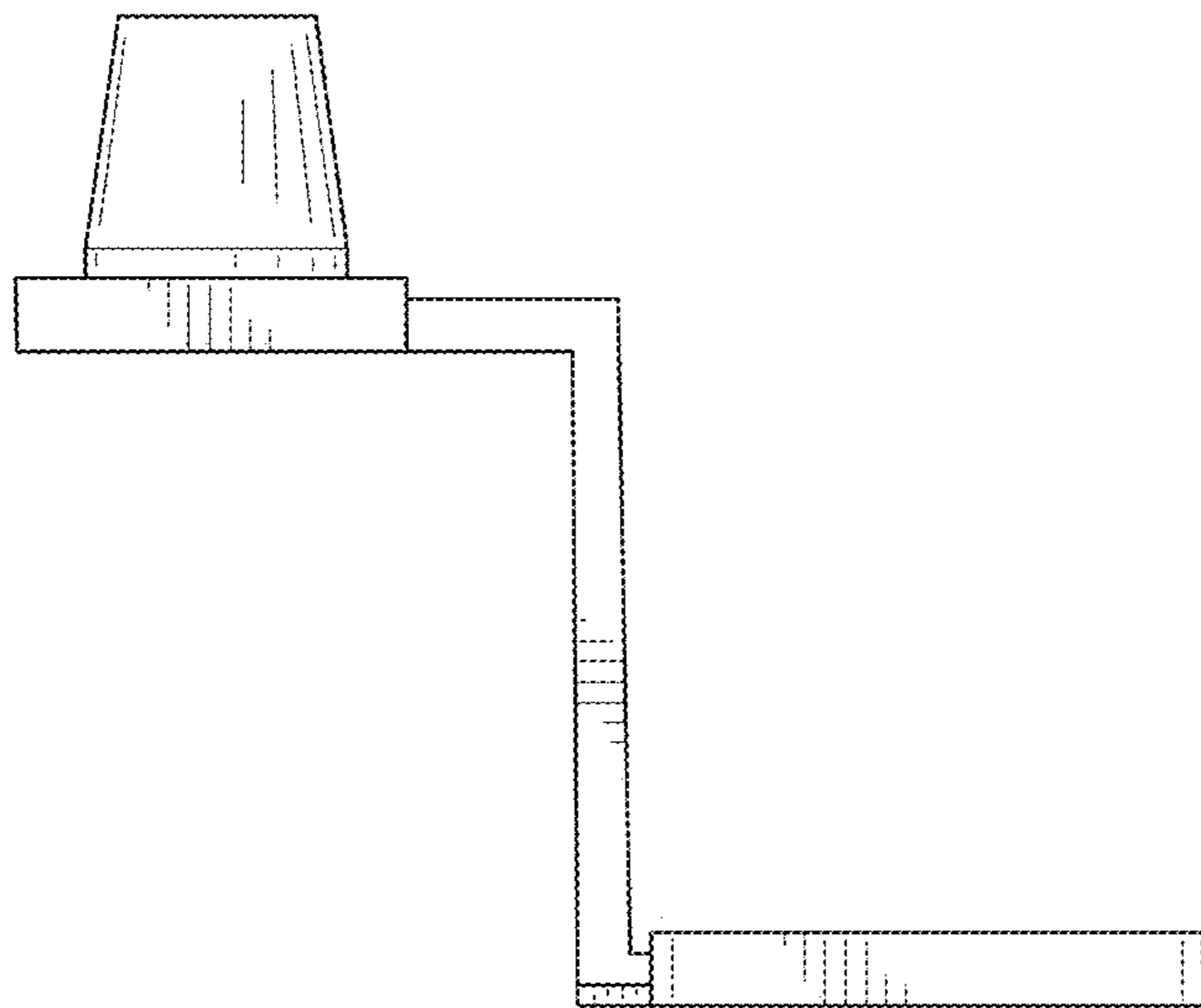


FIG. 8