



US00D963897S

(12) **United States Design Patent** (10) **Patent No.:** **US D963,897 S**
Miller (45) **Date of Patent:** **** Sep. 13, 2022**

(54) **FOLDING COLUMN ENCLOSURE**

(71) Applicant: **Galen Miller**, Goshen, IN (US)

(72) Inventor: **Galen Miller**, Goshen, IN (US)

(**) Term: **15 Years**

(21) Appl. No.: **29/744,269**

(22) Filed: **Jul. 28, 2020**

(51) **LOC (13) Cl.** **25-01**

(52) **U.S. Cl.**
USPC **D25/133**

(58) **Field of Classification Search**

USPC D25/1, 2, 3, 4, 5, 6, 7, 8, 9, 10, 11, 12, D25/13, 14, 15, 16, 17, 18, 19, 20, 21, D25/22, 23, 24, 25, 26, 27, 28, 29, 30, D25/31, 32, 33, 34, 35, 55, 56, 57, 58, D25/59, 60, 61, 119, 120, 121, 122, 123, D25/124, 125, 126, 127, 128, 129, 130, D25/131, 132, 133, 134, 135
CPC ... E04B 2/96; E04B 9/32; E04H 1/125; E04H 1/12; E04H 1/1244; E04H 1/0006; E06B 1/325; E06B 1/38; F16M 1/00; A47F 9/00; A47F 10/00; A47F 11/00; F21V 13/02; F21V 5/04; B05B 7/0408; E04C 3/30; E04C 3/36; E04F 13/0733; E04F 13/0736; E04F 2290/044; Y10T 29/49631; Y10T 29/49826; Y10T 428/24628

See application file for complete search history.

(56) **References Cited**

U.S. PATENT DOCUMENTS

D671,659 S * 11/2012 Clayton D25/126
D747,127 S * 1/2016 Chang D25/120
9,482,023 B1 * 11/2016 Carmody E04H 12/2292

D854,710 S * 7/2019 Hendry D25/126
10,450,759 B1 * 10/2019 Carmody E01F 15/141
D879,326 S * 3/2020 Hendry D25/61
D909,622 S * 2/2021 Carmody A47G 29/1216
D25/133
D937,441 S * 11/2021 Noe D25/56
D943,775 S * 2/2022 DeJong D25/126
2002/0185640 A1 * 12/2002 Heins E04H 17/168
256/65.01
2005/0229531 A1 * 10/2005 Green F16B 12/46
52/834
2008/0196343 A1 * 8/2008 Roth E04C 3/36
52/311.1

OTHER PUBLICATIONS

Versawrap Versatex Trimboard <https://pennfence.com/p/versawrap-4x4x86-white> Date First Available Unknown. Date Accessed May 7, 2022 (Year: 2022).*
Azek Column Post Wraps <https://www.vintagewoodworks.com/column-wrap-1.html> Oct. 24, 2014 (Year: 2014).*

* cited by examiner

Primary Examiner — Samantha Q Lawrence
(74) *Attorney, Agent, or Firm* — Taylor IP, P.C.

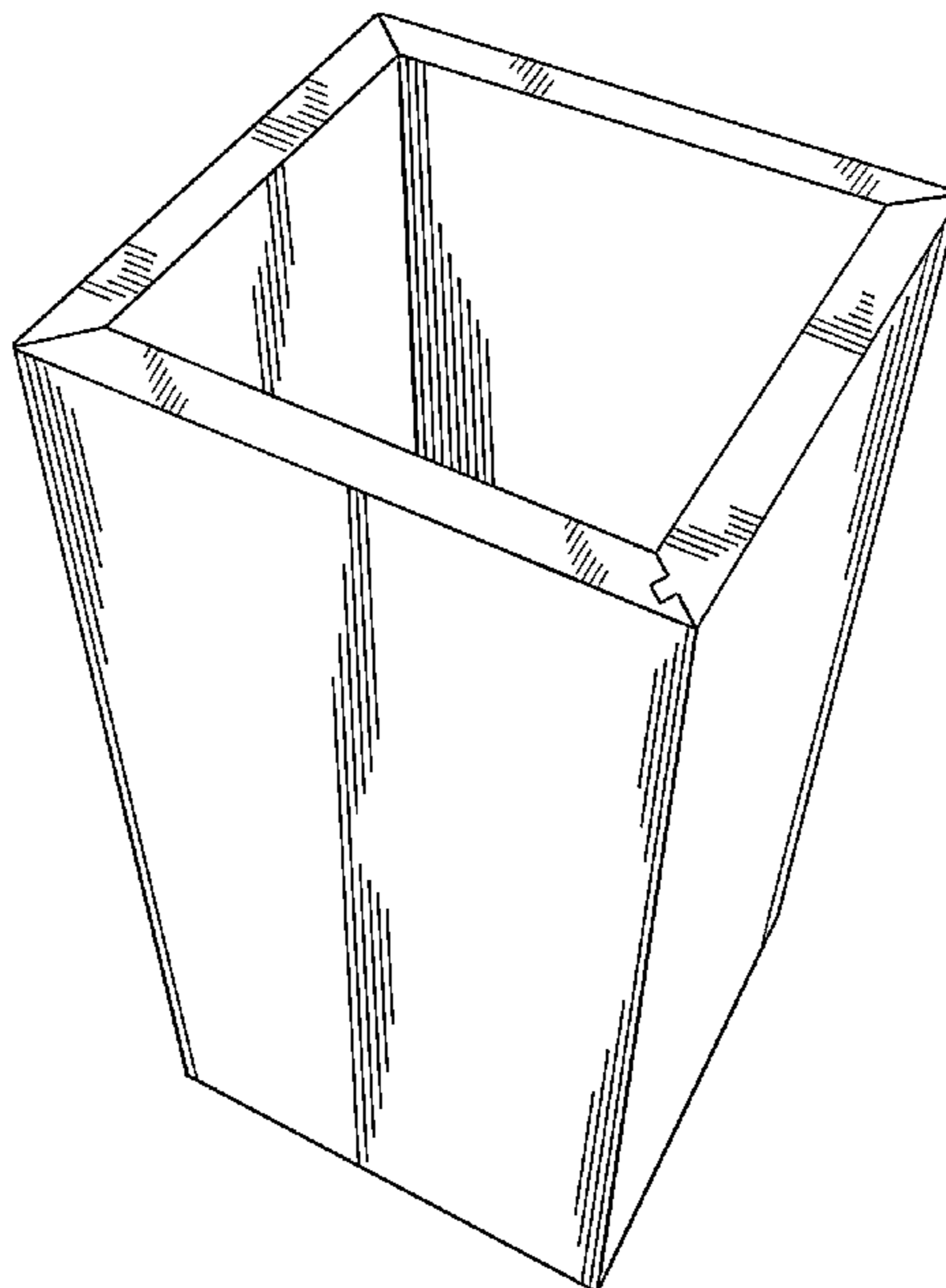
(57) **CLAIM**

The ornamental design for a folding column enclosure, as shown and described.

DESCRIPTION

FIG. 1 is a perspective view of a folding column enclosure in a folded position showing my new design;
FIG. 2 is a top view thereof, the bottom view being the same;
FIG. 3 is a side view thereof, the opposite side view being the same; and,
FIG. 4 is a top view the folding column enclosure in an unfolded position.

1 Claim, 2 Drawing Sheets



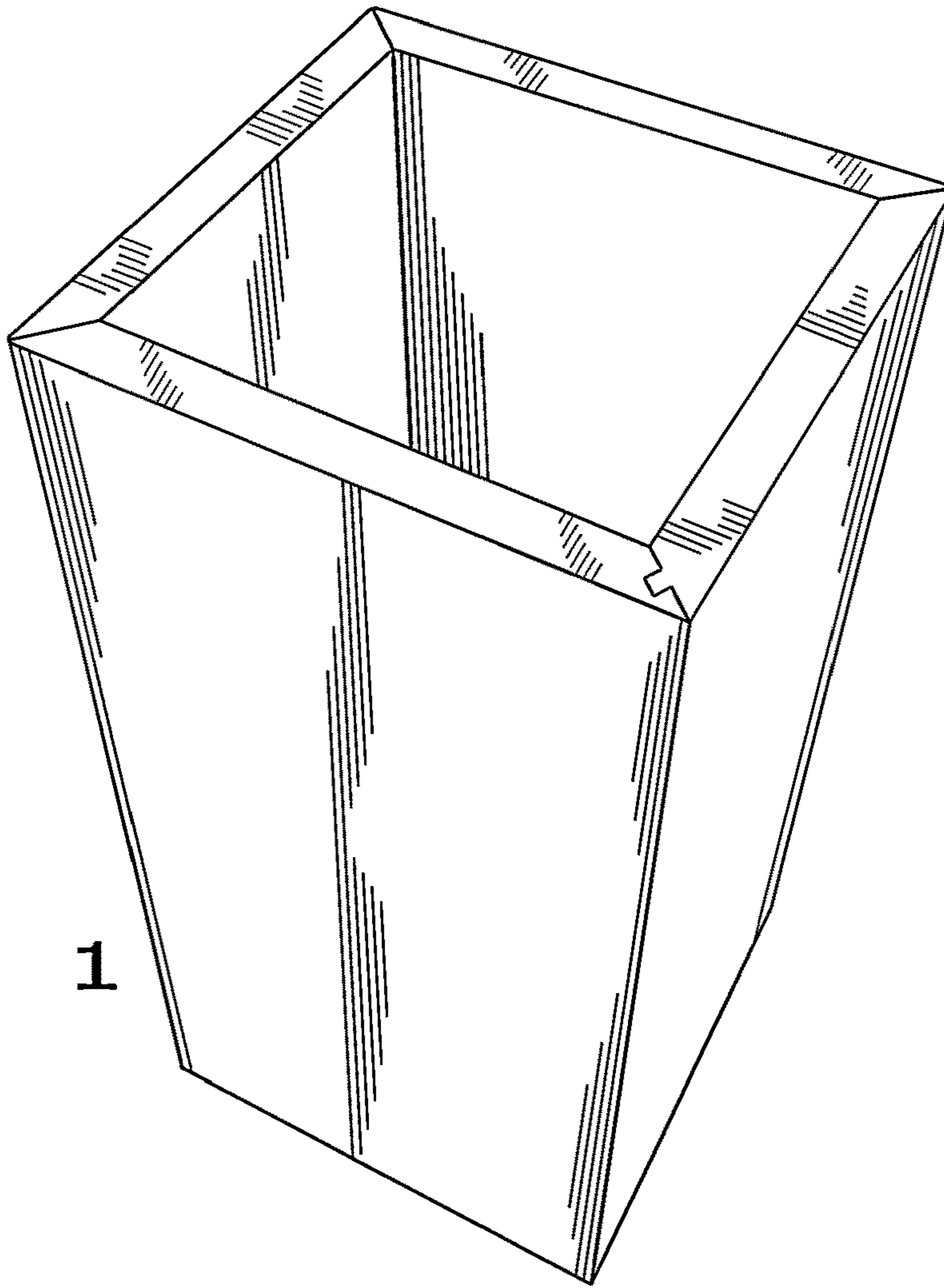


FIG. 1

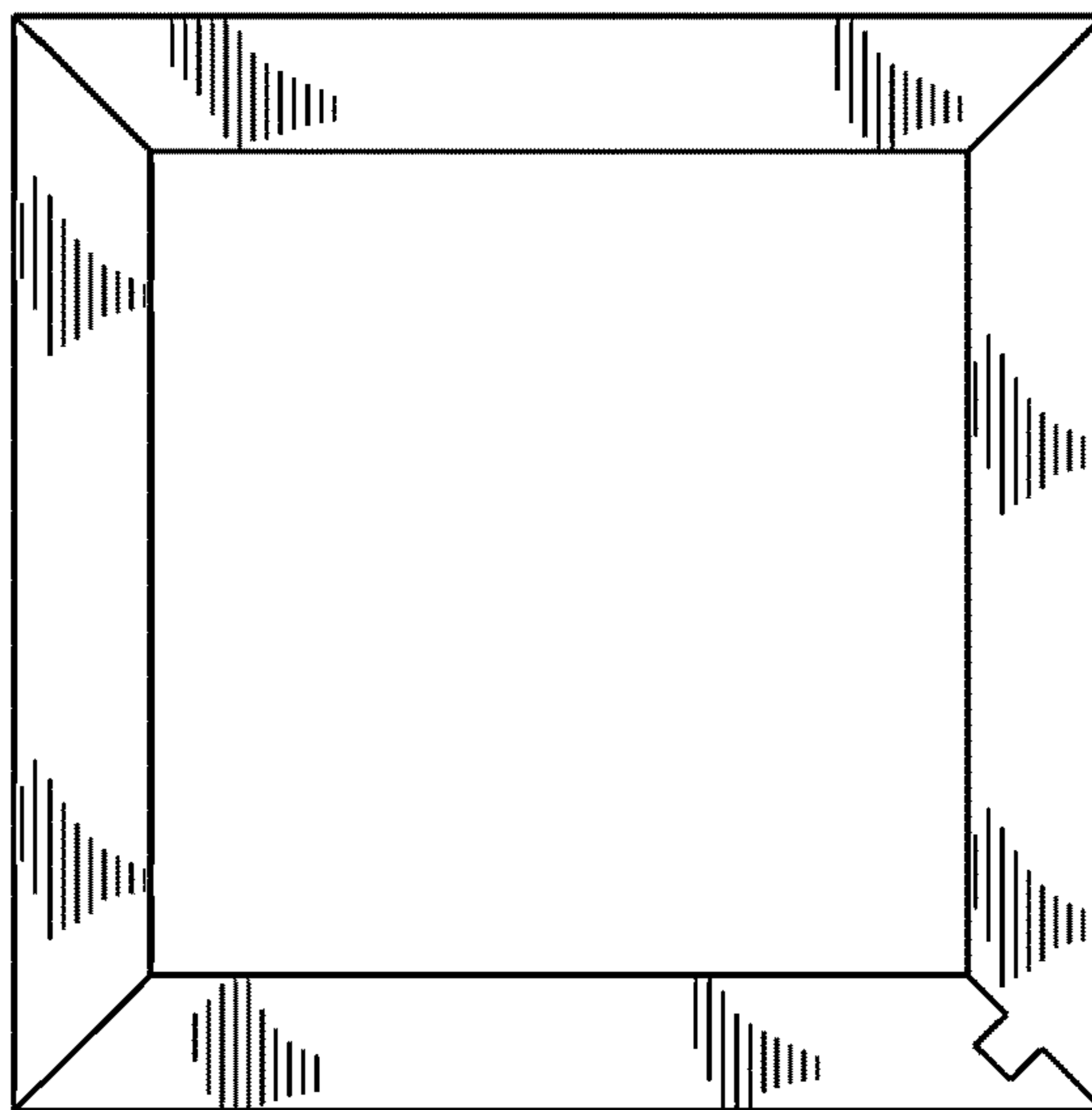


FIG. 2

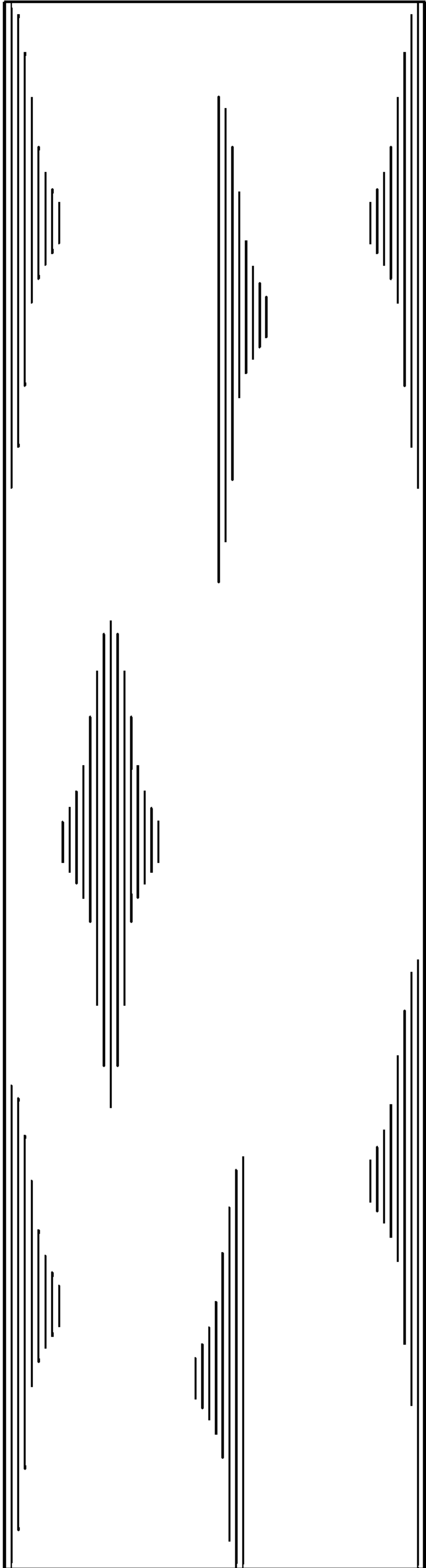


FIG. 3

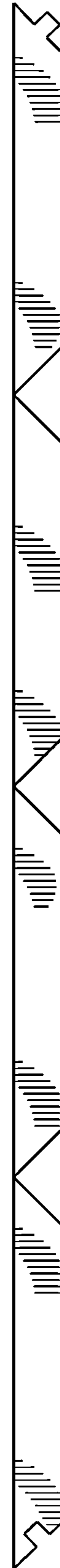


FIG. 4