

US00D963895S

(12) **United States Design Patent** (10) **Patent No.:** **US D963,895 S**  
**Goff** (45) **Date of Patent:** **\*\* Sep. 13, 2022**

(54) **FENCE POST** 7,500,653 B1 \* 3/2009 Hartman ..... E04H 17/24  
256/22  
(71) Applicant: **Richard Goff**, Knoxville, IA (US) D621,072 S \* 8/2010 Fickbohm ..... D25/119  
D687,170 S \* 7/2013 Kovalchick ..... D25/126  
(72) Inventor: **Richard Goff**, Knoxville, IA (US) D725,296 S \* 3/2015 Taylor ..... D25/126  
D725,297 S \* 3/2015 Taylor ..... D25/126  
D743,577 S \* 11/2015 Thornburg, II ..... D25/126  
D783,181 S \* 4/2017 Coulston ..... D25/126  
(\*\*) Term: **15 Years**  
(21) Appl. No.: **29/816,404**  
(22) Filed: **Nov. 22, 2021**

(Continued)

FOREIGN PATENT DOCUMENTS

CN 304935234 \* 12/2018

**Related U.S. Application Data**

(63) Continuation-in-part of application No. 15/944,187,  
filed on Apr. 3, 2018, now abandoned.  
(51) **LOC (13) Cl.** ..... **25-01**  
(52) **U.S. Cl.**  
USPC ..... **D25/126**  
(58) **Field of Classification Search**  
USPC ..... D25/43, 126, 128, 131, 164  
CPC ..... E04H 17/06; E04H 17/08; E04H 17/10;  
E04H 17/12; E04H 17/1426; E04H 17/24;  
E04H 12/2215; H01B 17/145  
See application file for complete search history.

OTHER PUBLICATIONS

Franklin Industries Studded T-Post, 8 ft. \_ 1.25 lb. per foot at Tractor  
Supply Co\_ <https://www.tractorsupply.com/tsc/product/franklin-industries-studded-t-post-8-ft125-lb-per-foot> Dec. 27, 2020 (Year:  
2020).\*

*Primary Examiner* — Leanne Was-Englehart  
(74) *Attorney, Agent, or Firm* — Zarley Law Firm P.L.C.

(57) **CLAIM**

The ornamental design for a fence post, as shown and described.

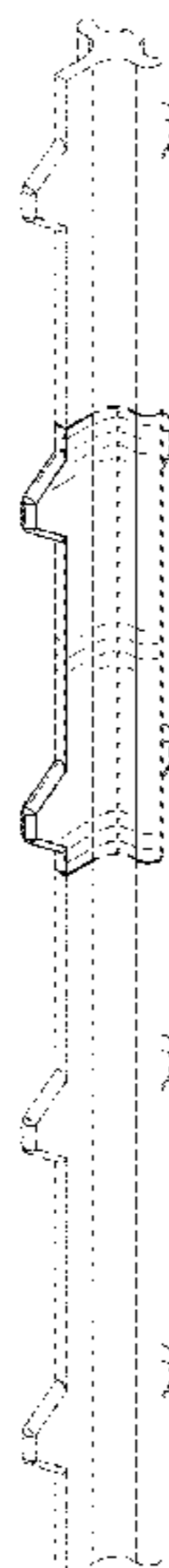
**DESCRIPTION**

FIG. 1 is a front perspective view of a fence post;  
FIG. 2 is a rear perspective view of a fence post;  
FIG. 3 is a front view of a fence post;  
FIG. 4 is a rear view of a fence post;  
FIG. 5 is a left view of a fence post;  
FIG. 6 is a right view of a fence post;  
FIG. 7 is a top view of a fence post; and,  
FIG. 8 is a bottom view of a fence post.  
The dash-dash broken lines depict portions of the fence post that form no part of the claimed design. The dot-dash broken lines depict the bounds of the claim and form no part of the claimed design.

**1 Claim, 7 Drawing Sheets**

(56) **References Cited**  
U.S. PATENT DOCUMENTS

967,754 A \* 8/1910 Gifford ..... E06B 11/04  
256/73  
1,452,766 A \* 4/1923 Stefan, Jr. .... E04H 17/10  
256/48  
1,454,649 A \* 5/1923 Murton ..... E04H 12/2215  
52/153  
1,964,404 A \* 6/1934 Lynch ..... E04H 17/10  
256/48  
2,000,232 A \* 5/1935 Hyde ..... E04H 17/06  
52/153  
D204,763 S \* 5/1966 Fullbright ..... D25/45  
4,595,176 A \* 6/1986 Crabtree ..... E04H 17/10  
256/52  
6,543,750 B1 \* 4/2003 Calzone ..... E04H 17/20  
256/19



(56)

**References Cited**

U.S. PATENT DOCUMENTS

D929,610 S \* 8/2021 Xue ..... D25/126  
D945,015 S \* 3/2022 Saltijeral ..... D25/38.1  
2002/0000542 A1\* 1/2002 Gerst ..... H01B 17/145  
256/1  
2003/0038281 A1\* 2/2003 Roark ..... E04H 17/08  
256/63  
2003/0071254 A1\* 4/2003 Kamarad ..... E04H 17/003  
256/65.1  
2004/0026678 A1\* 2/2004 Vandergriff ..... E04H 17/10  
256/47  
2005/0211968 A1\* 9/2005 Egan ..... E04H 17/20  
256/32  
2009/0184300 A1\* 7/2009 Wilson, Jr. .... E04H 17/20  
256/1  
2012/0261634 A1\* 10/2012 Graves ..... E04H 17/20  
256/65.03  
2014/0312288 A1\* 10/2014 Houston ..... A01K 3/005  
256/10  
2016/0145893 A1\* 5/2016 Coulston ..... E04H 17/20  
29/428  
2019/0352927 A1\* 11/2019 Xue ..... E04H 17/20  
2020/0256085 A1\* 8/2020 Hiner ..... E04H 17/10  
2022/0081929 A1\* 3/2022 Schaefer ..... E04H 17/124

\* cited by examiner

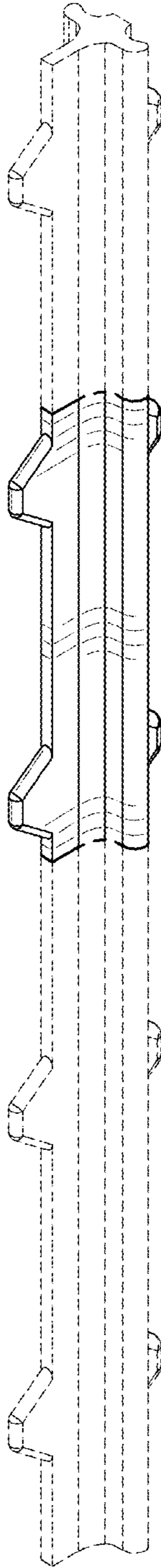


FIG. 1

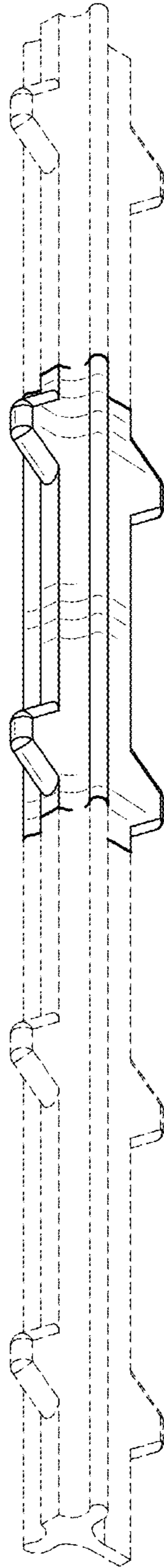


FIG. 2

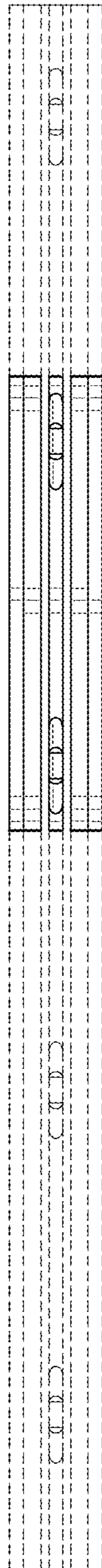


FIG. 3

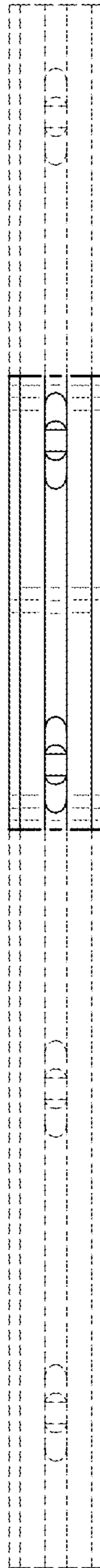


FIG. 4

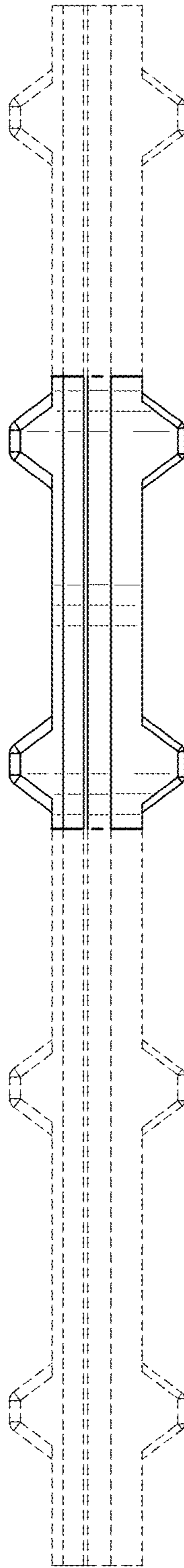


FIG. 5

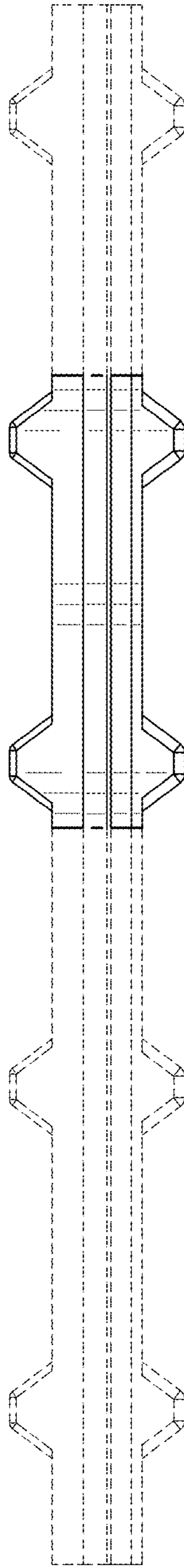


FIG. 6



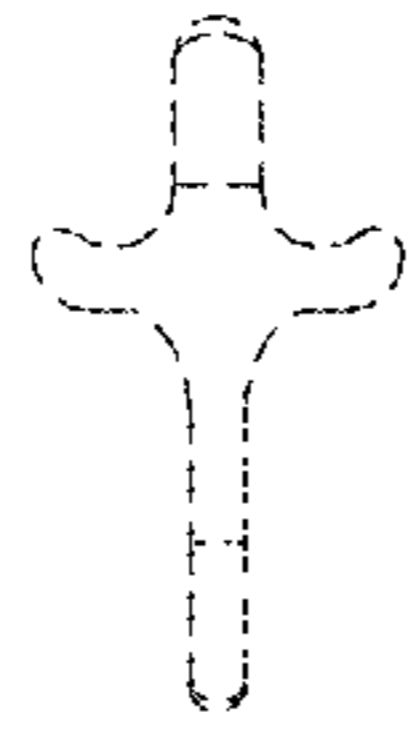


FIG. 7

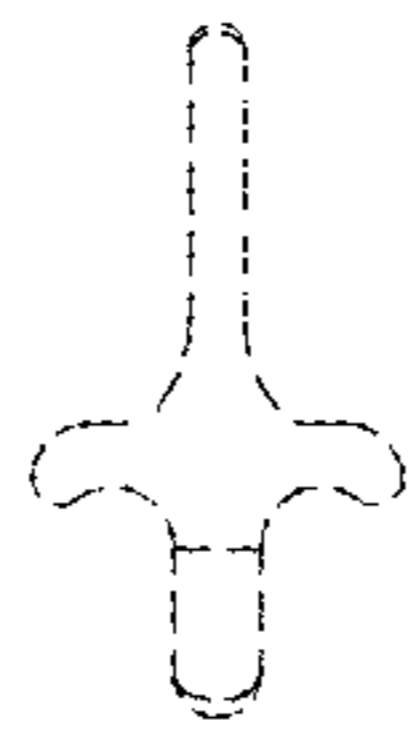


FIG. 8