



US00D963893S

(12) **United States Design Patent** (10) **Patent No.:** **US D963,893 S**  
**Suga** (45) **Date of Patent:** **\*\* Sep. 13, 2022**

- (54) **CONCRETE BUILDING BLOCK**
- (71) Applicant: **ASURO Co., LTD.**, Shiraoka (JP)
- (72) Inventor: **Masaaki Suga**, Shiraoka (JP)
- (73) Assignee: **ASURO Co., LTD.**, Shiraoka (JP)
- (\*\*) Term: **15 Years**
- (21) Appl. No.: **29/819,522**
- (22) Filed: **Dec. 15, 2021**

D225,846 S	1/1973	Cruzen, Jr.	
3,855,752 A	12/1974	Aylon	
D245,999 S	10/1977	Strigle, Jr.	
4,094,380 A	6/1978	Kobayashi et al.	
4,473,985 A	10/1984	Hunt	
5,048,250 A	9/1991	Elias	
5,729,943 A	3/1998	Cambiuzzi	
D409,313 S	5/1999	Behunin	
D542,405 S	5/2007	Esjunin	
D633,630 S	3/2011	Jacot et al.	
D655,021 S	2/2012	Oetlinger	
D893,053 S	8/2020	Bott	
D902,444 S	11/2020	Suga	
D915,627 S	4/2021	Phan et al.	
D945,643 S *	3/2022	Suga .....	D25/115
D953,580 S *	5/2022	Suga .....	D25/115

(Continued)

**Related U.S. Application Data**

- (62) Division of application No. 35/510,618, filed on Apr. 23, 2020 (U.S. filing date under 35 U.S.C. 384), and having an international filing date of Apr. 23, 2020, now Pat. No. Des. 953,580.

**Foreign Application Priority Data**

- Dec. 6, 2019 (JP) ..... 2019-027111 D
- (51) **LOC (13) Cl.** ..... **25-01**
- (52) **U.S. Cl.**  
USPC ..... **D25/115**
- (58) **Field of Classification Search**  
USPC ..... D8/373; D10/113.3; D21/484, 485, 486, D21/489, 491, 494, 499; D25/38.1, 48.2, D25/48.4, 60, 112-116, 118, 119, 136, D25/138, 140, 141, 134, 156, 163, 199  
CPC ..... E04B 2/18; E04B 2/46; E04B 2/54; E04B 2002/0208; E04C 1/41  
See application file for complete search history.

**References Cited**

**U.S. PATENT DOCUMENTS**

308,577 A	11/1884	Richards
D138,256 S	7/1944	McCammon
2,498,276 A	2/1950	Kany

**FOREIGN PATENT DOCUMENTS**

CN 306013840 8/2020

*Primary Examiner* — Richard Kearney

(74) *Attorney, Agent, or Firm* — Saidman DesignLaw Group, LLC

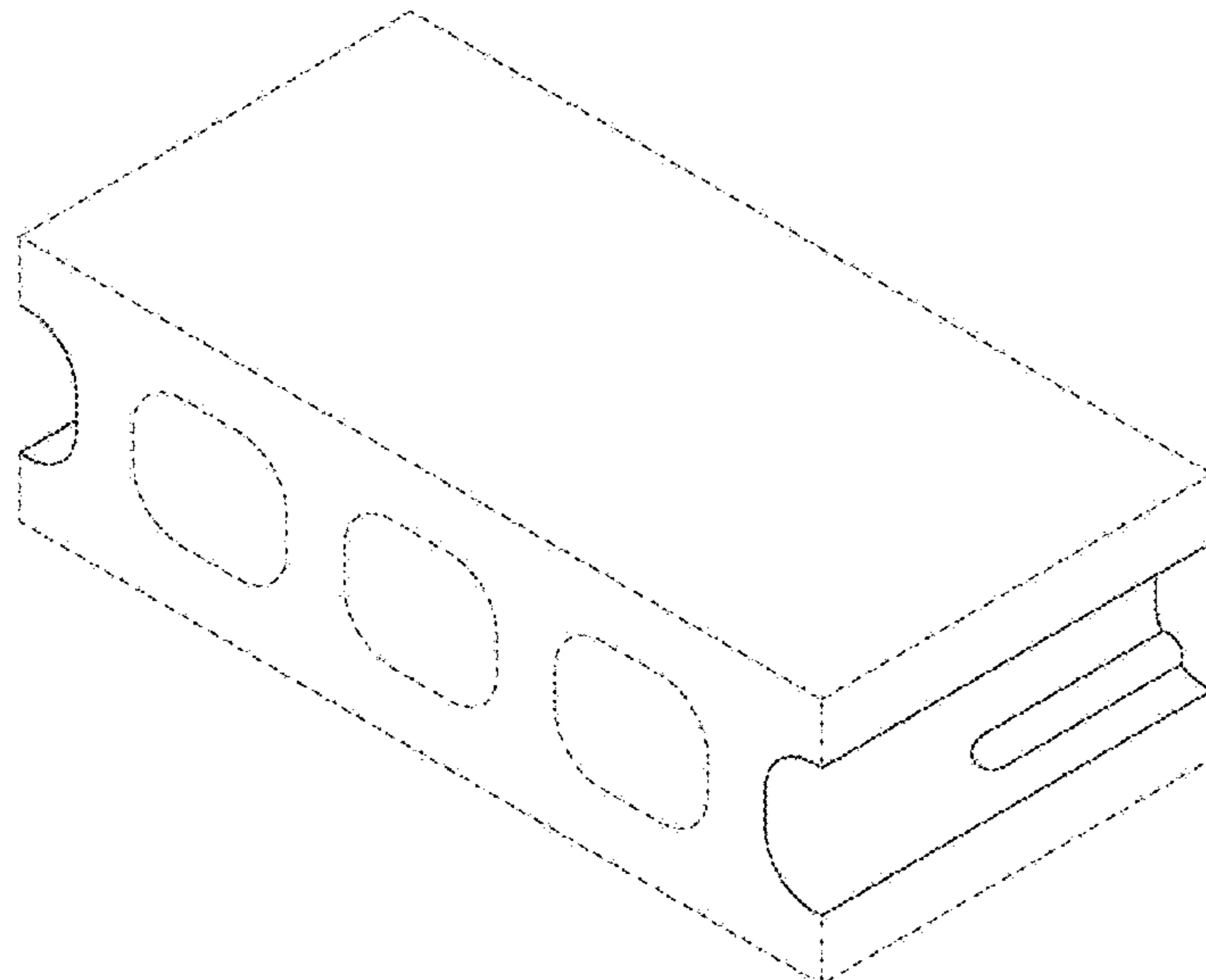
(57) **CLAIM**

The ornamental design for a concrete building block, as shown and described.

**DESCRIPTION**

FIG. 1 is a perspective view of a concrete building block showing my new design;  
 FIG. 2 is a front view thereof;  
 FIG. 3 is a rear view thereof;  
 FIG. 4 is a top view thereof;  
 FIG. 5 is a bottom view thereof;  
 FIG. 6 is a left side view thereof;  
 FIG. 7 is a right side view thereof; and,  
 FIG. 8 is a cross-sectional view of FIG. 2 thereof.  
 The broken lines depict portions of the concrete building block which form no of the claimed design.

**1 Claim, 8 Drawing Sheets**



(56)

**References Cited**

U.S. PATENT DOCUMENTS

2015/0218805 A1 8/2015 Jensen  
2020/0032513 A1 1/2020 Devito

\* cited by examiner

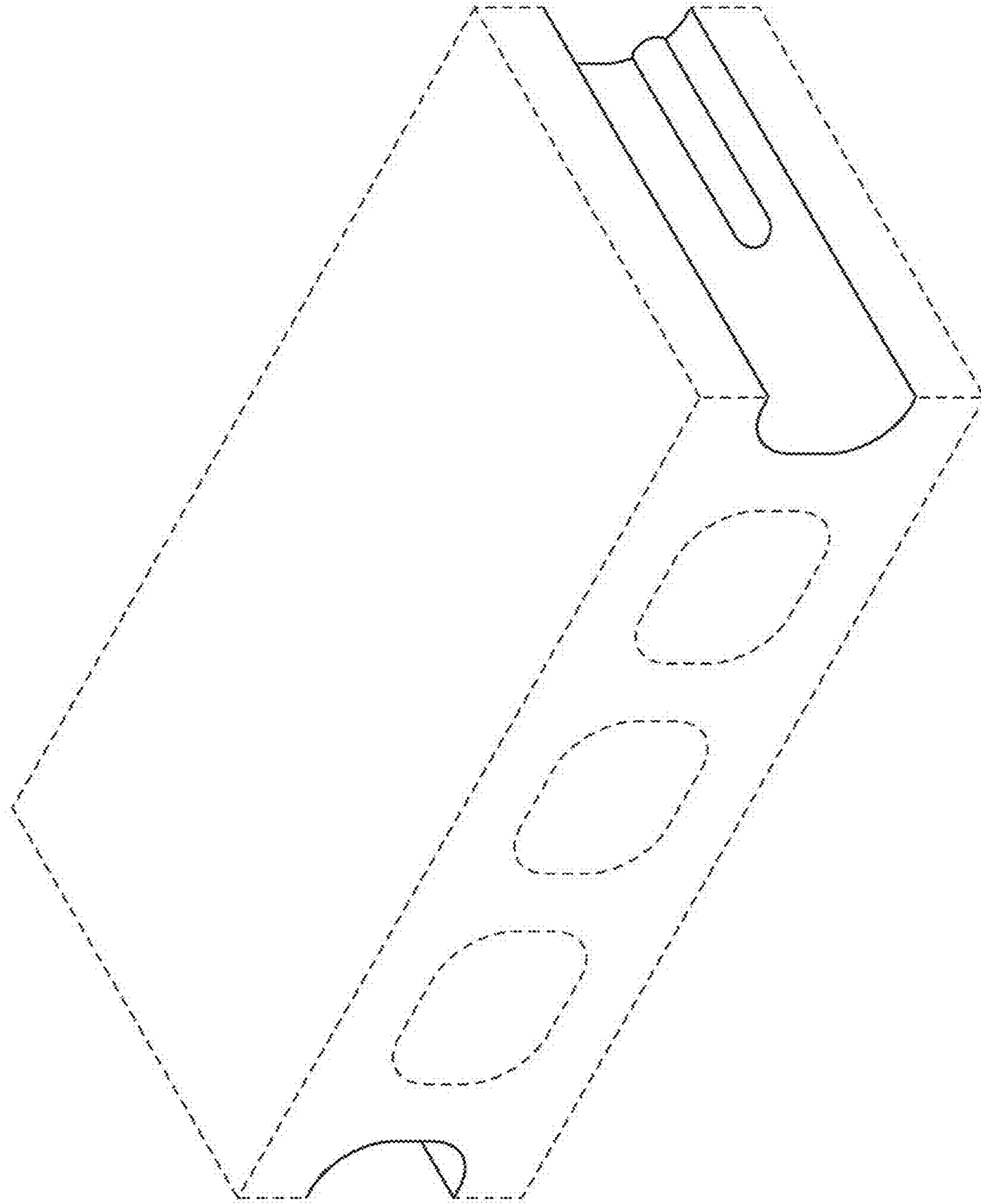


FIG. 1

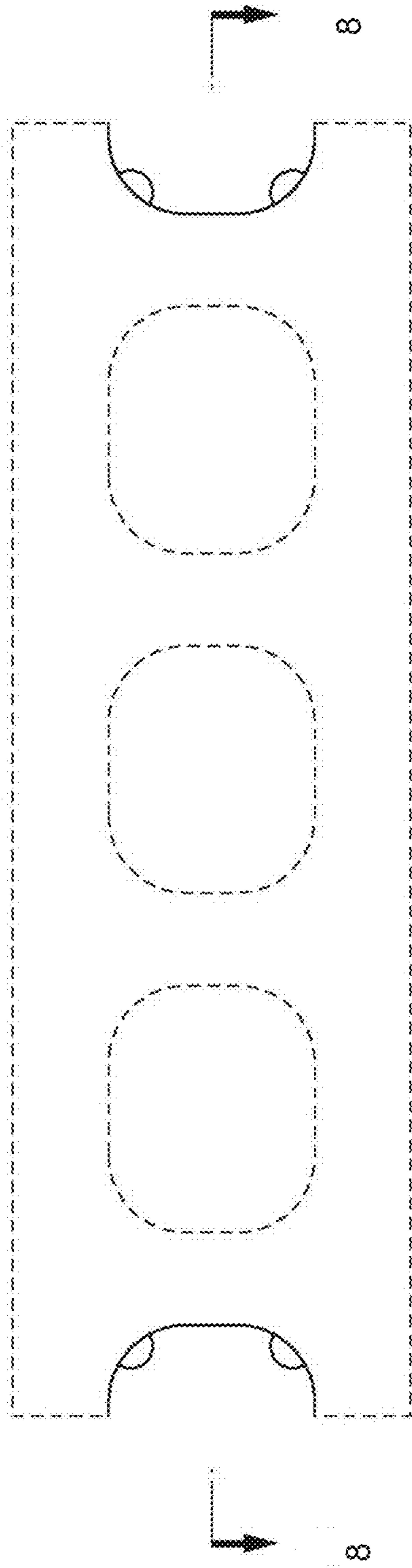


FIG. 2

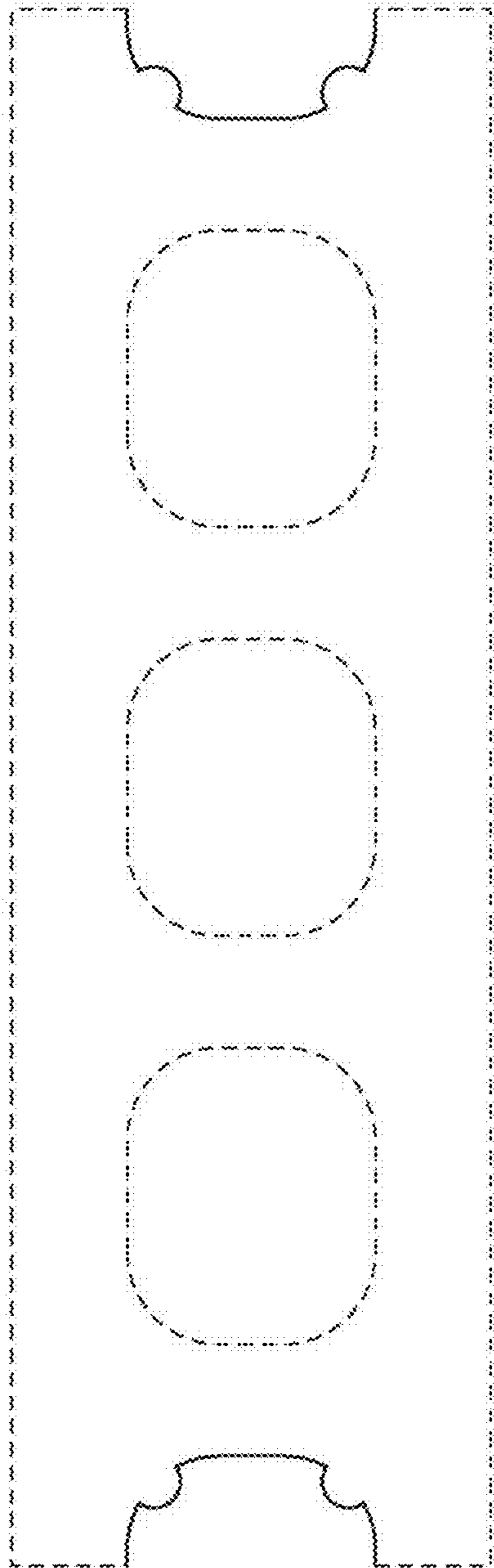


FIG. 3

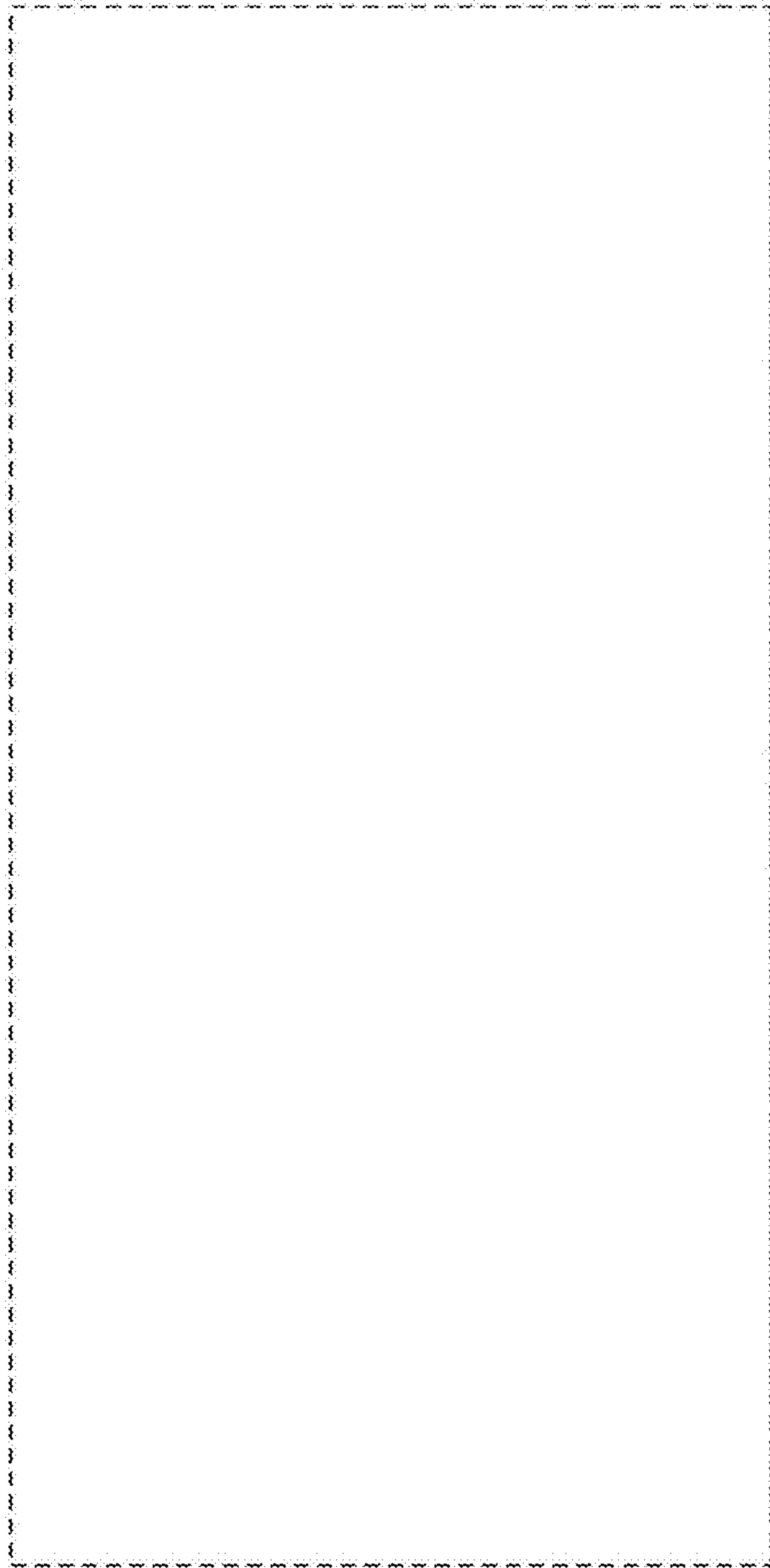


FIG. 4

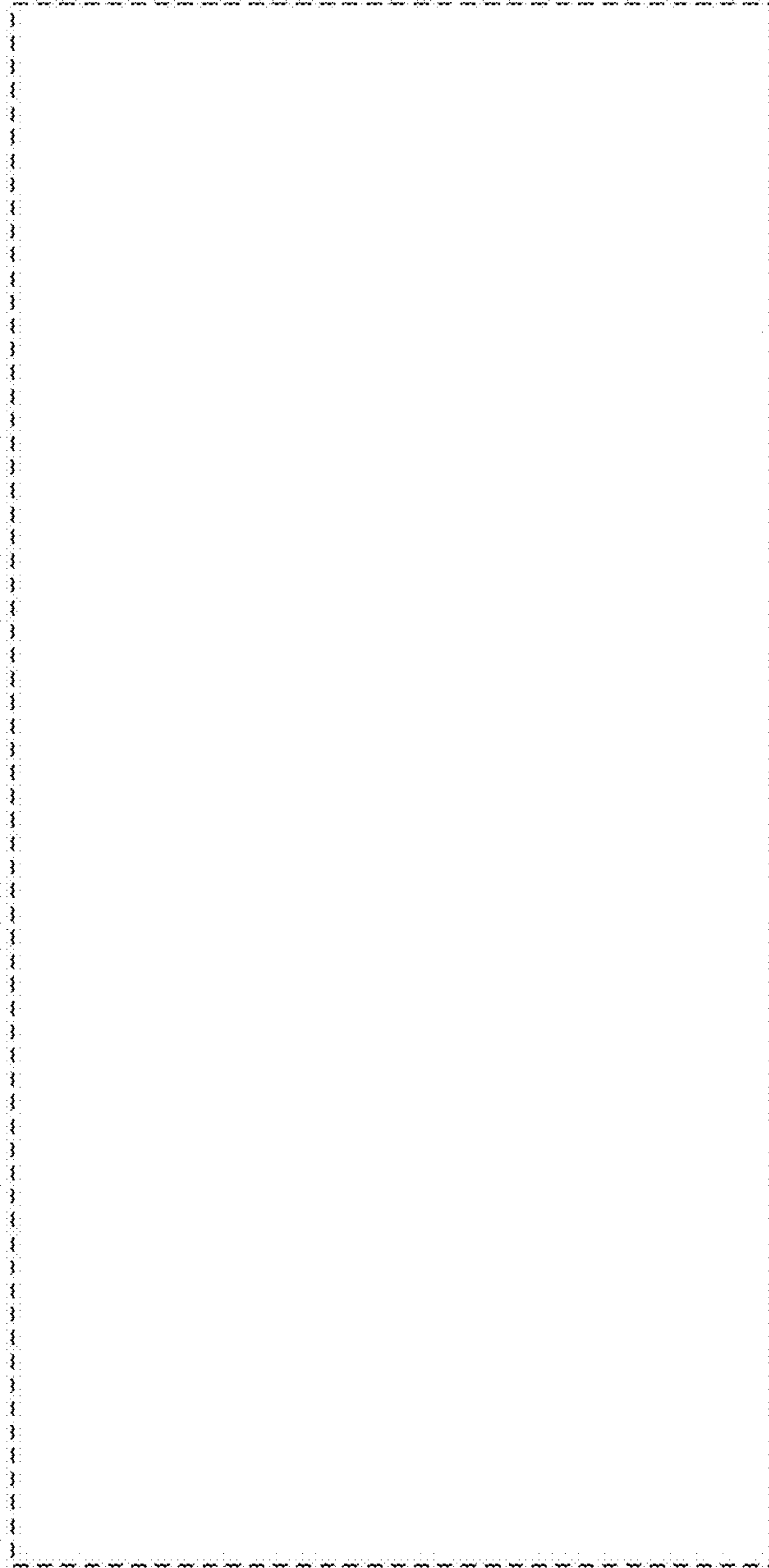


FIG. 5

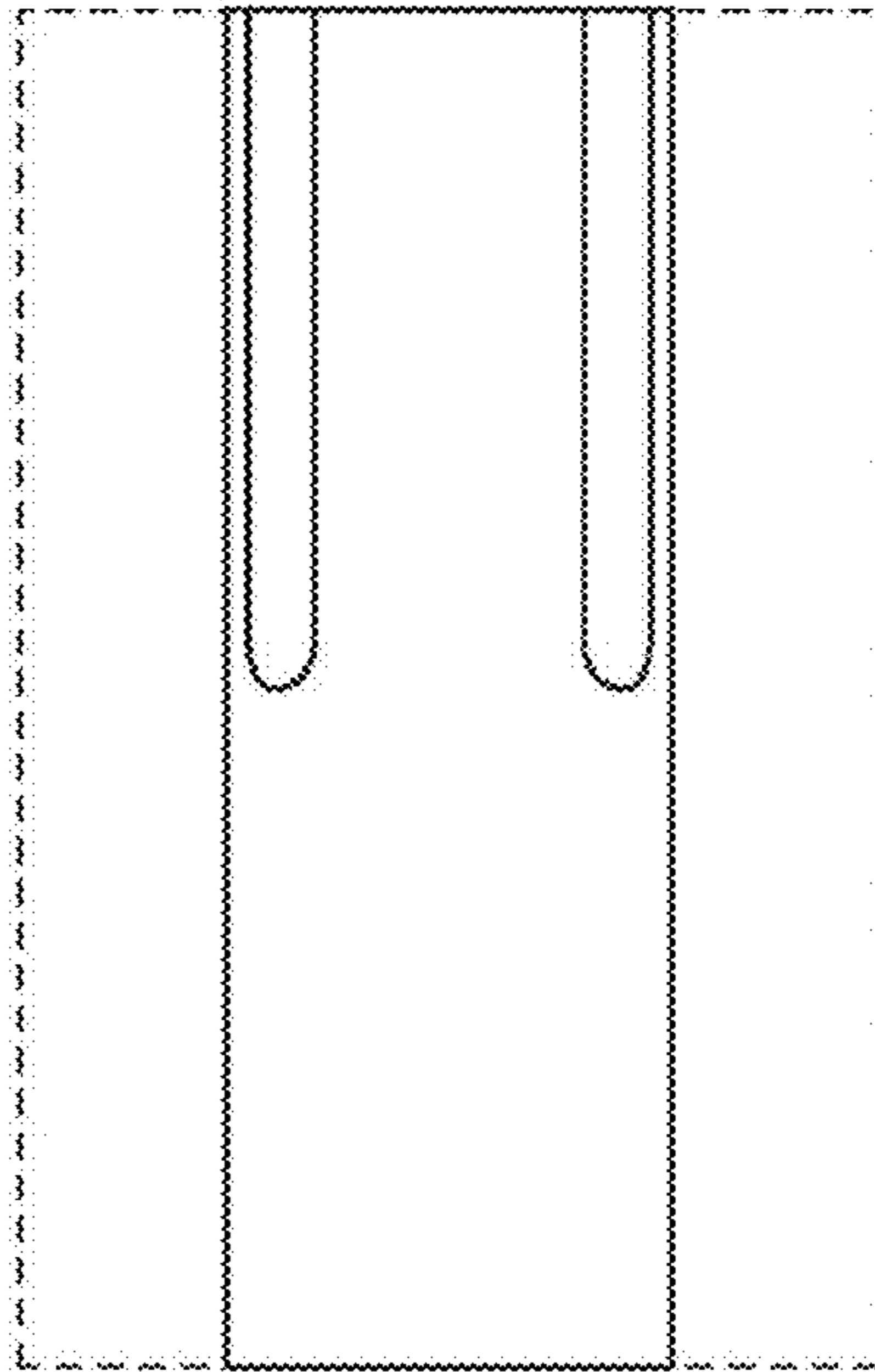


FIG. 6



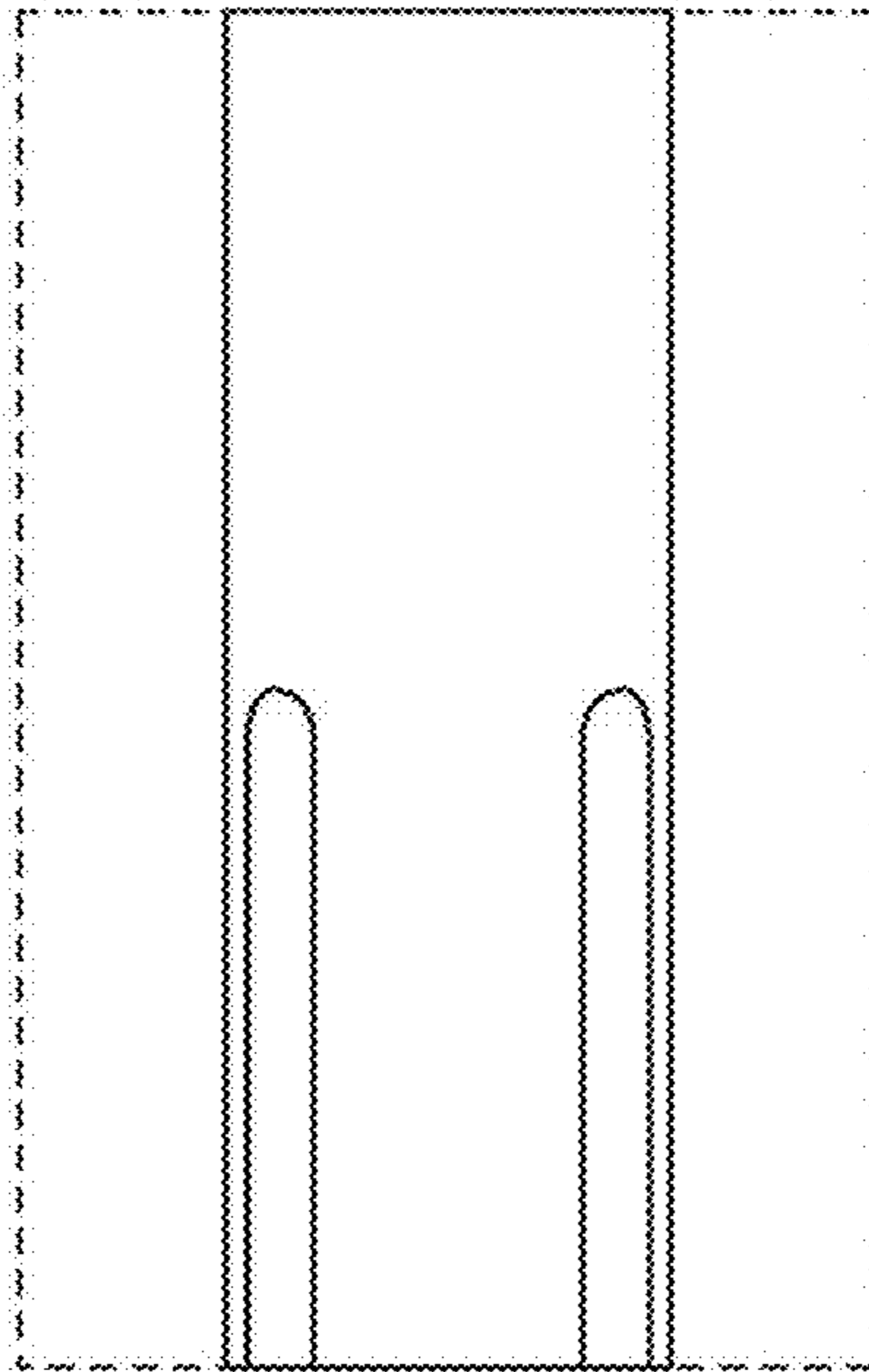


FIG. 7

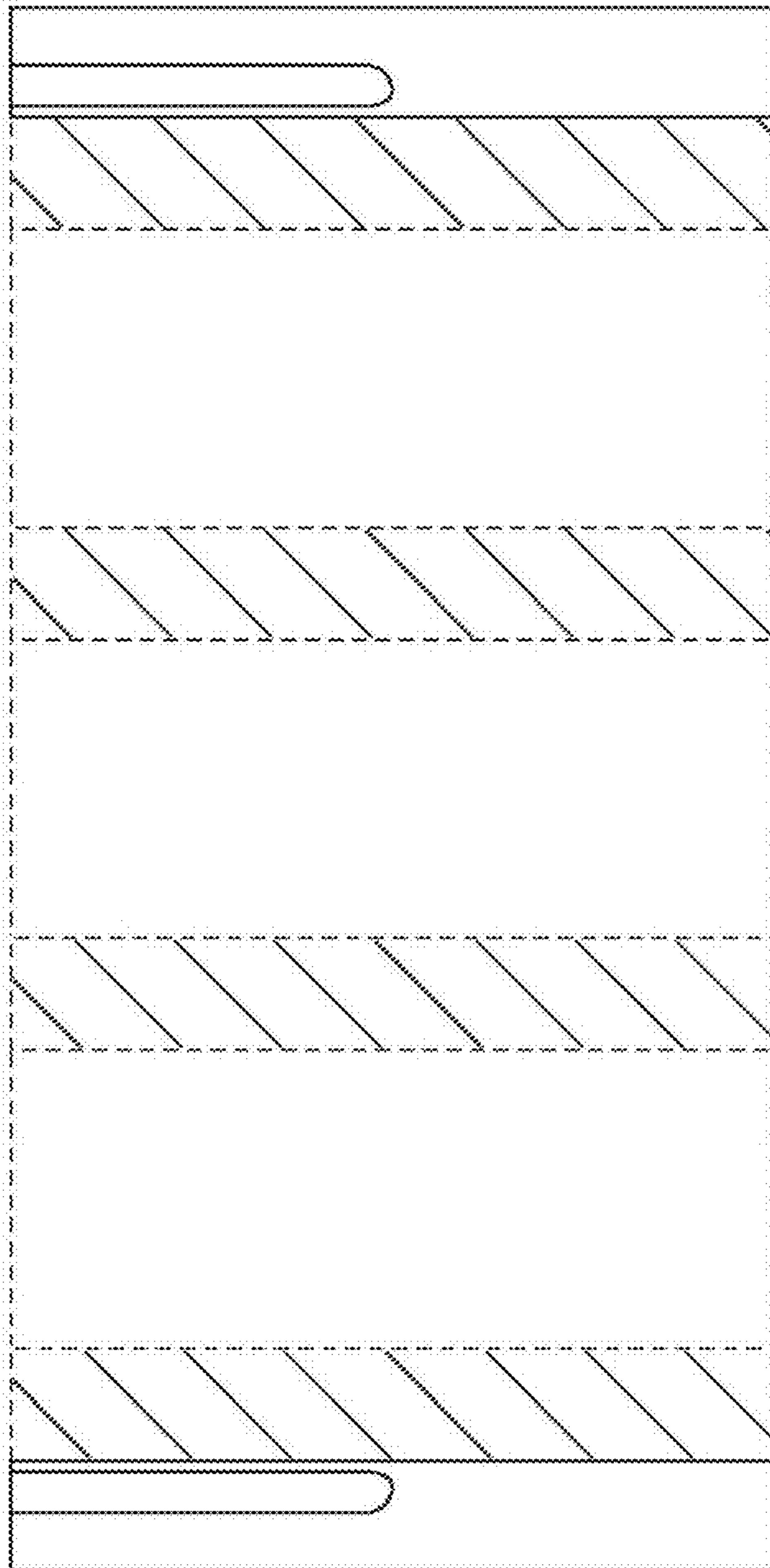


FIG. 8

UNITED STATES PATENT AND TRADEMARK OFFICE  
**CERTIFICATE OF CORRECTION**

PATENT NO. : D963,893 S  
APPLICATION NO. : 29/819522  
DATED : September 13, 2022  
INVENTOR(S) : Masaaki Suga

Page 1 of 1

It is certified that error appears in the above-identified patent and that said Letters Patent is hereby corrected as shown below:

On the Title Page

(57) DESCRIPTION

Column 2 Line 11:

-no of-

Should read:

--no part of--

Signed and Sealed this  
Seventh Day of February, 2023  
*Katherine Kelly Vidal*

Katherine Kelly Vidal  
*Director of the United States Patent and Trademark Office*