



US00D963888S

(12) **United States Design Patent**  
**Santek**

(10) **Patent No.:** **US D963,888 S**

(45) **Date of Patent:** **\*\* Sep. 13, 2022**

(54) **STERILE COVER FOR AN OCULAR PORTION OF A MEDICAL DEVICE**

(71) Applicant: **BHS Technologies GmbH, Innsbruck (AT)**

(72) Inventor: **Michael Santek, Götzens (AT)**

(73) Assignee: **BHS Technologies GmbH, Innsbruck (AT)**

(\*\*) Term: **15 Years**

(21) Appl. No.: **29/756,764**

(22) Filed: **Oct. 30, 2020**

(30) **Foreign Application Priority Data**

Apr. 30, 2020 (EM) ..... 7847355

(51) **LOC (13) Cl.** ..... **24-01**

(52) **U.S. Cl.**  
USPC ..... **D24/231; D24/172**

(58) **Field of Classification Search**  
USPC ..... D24/107, 209, 210, 216, 217, 218, 231, D24/232, 234, 137, 157, 172, 127, 132; D32/1, 25; D9/444, 445, 454  
CPC ..... A61B 3/165; A61B 3/16; A61L 2/18  
See application file for complete search history.

(56) **References Cited**

**U.S. PATENT DOCUMENTS**

5,002,057 A \* 3/1991 Brady ..... A61B 3/16  
206/69  
D495,060 S \* 8/2004 Hellstrom ..... D9/454

D554,503 S \* 11/2007 Kerman ..... D9/438  
D616,090 S \* 5/2010 Kawamura ..... D24/127  
D669,354 S \* 10/2012 Davis ..... D9/454  
D822,208 S \* 7/2018 Shikayama ..... D24/158  
D868,266 S \* 11/2019 McCafferty ..... D24/172  
D940,875 S \* 1/2022 Gulani ..... D24/172  
2019/0282795 A1 \* 9/2019 Fangrow ..... A61L 2/18

\* cited by examiner

*Primary Examiner* — Anhdao Doan

(74) *Attorney, Agent, or Firm* — Intrinsic Law Corp.

(57) **CLAIM**

The ornamental design for a sterile cover for an ocular portion of a medical device, as shown and described.

**DESCRIPTION**

FIG. 1 is an isometric view of a sterile cover for an ocular portion of a medical device;

FIG. 2 is another isometric view thereof;

FIG. 3 is a top view thereof; and,

FIG. 4 is a bottom view thereof.

The broken lines illustrate portions of the sterile cover for an ocular portion of a medical device that form no part of the claimed design.

**1 Claim, 4 Drawing Sheets**

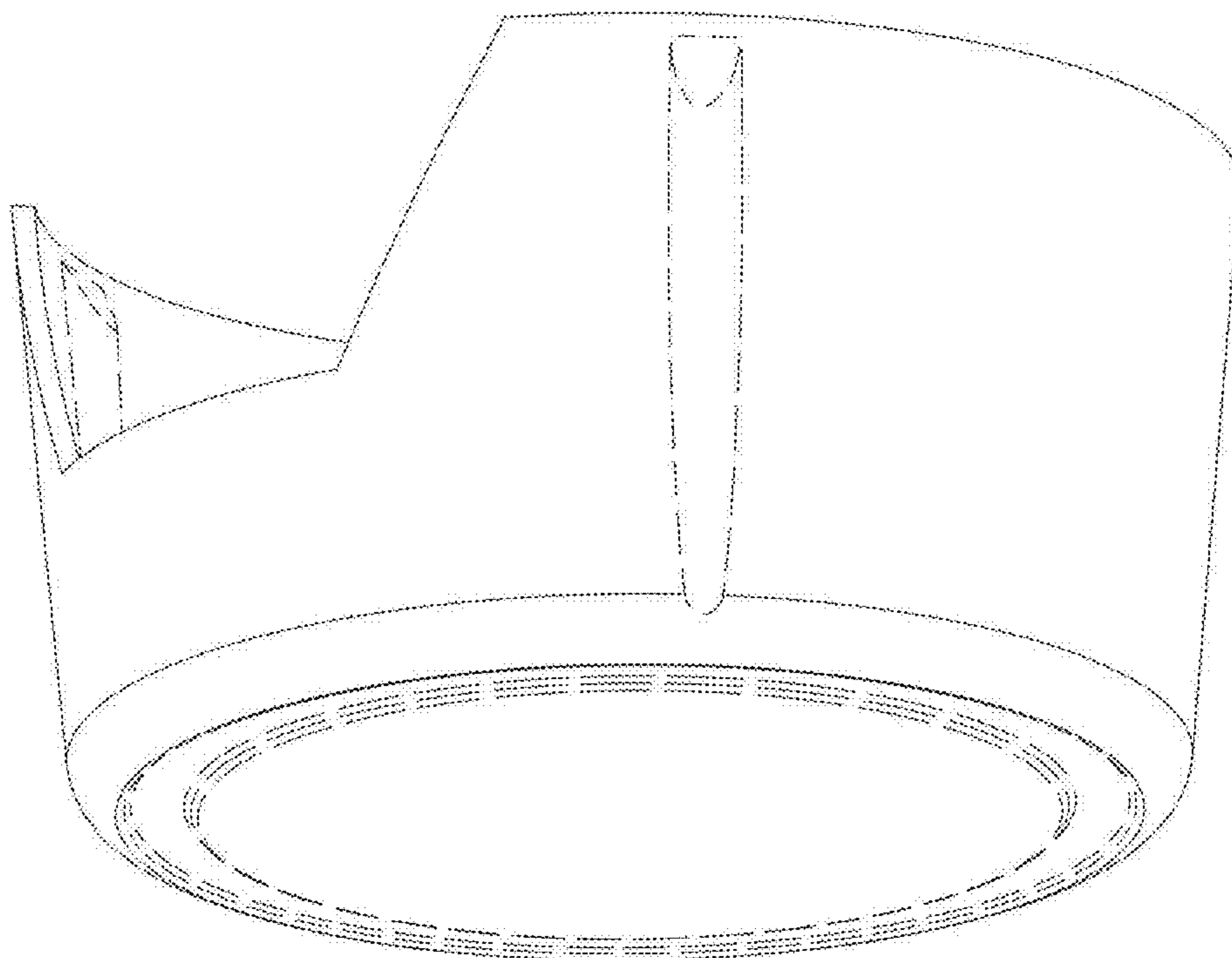


FIG. 1

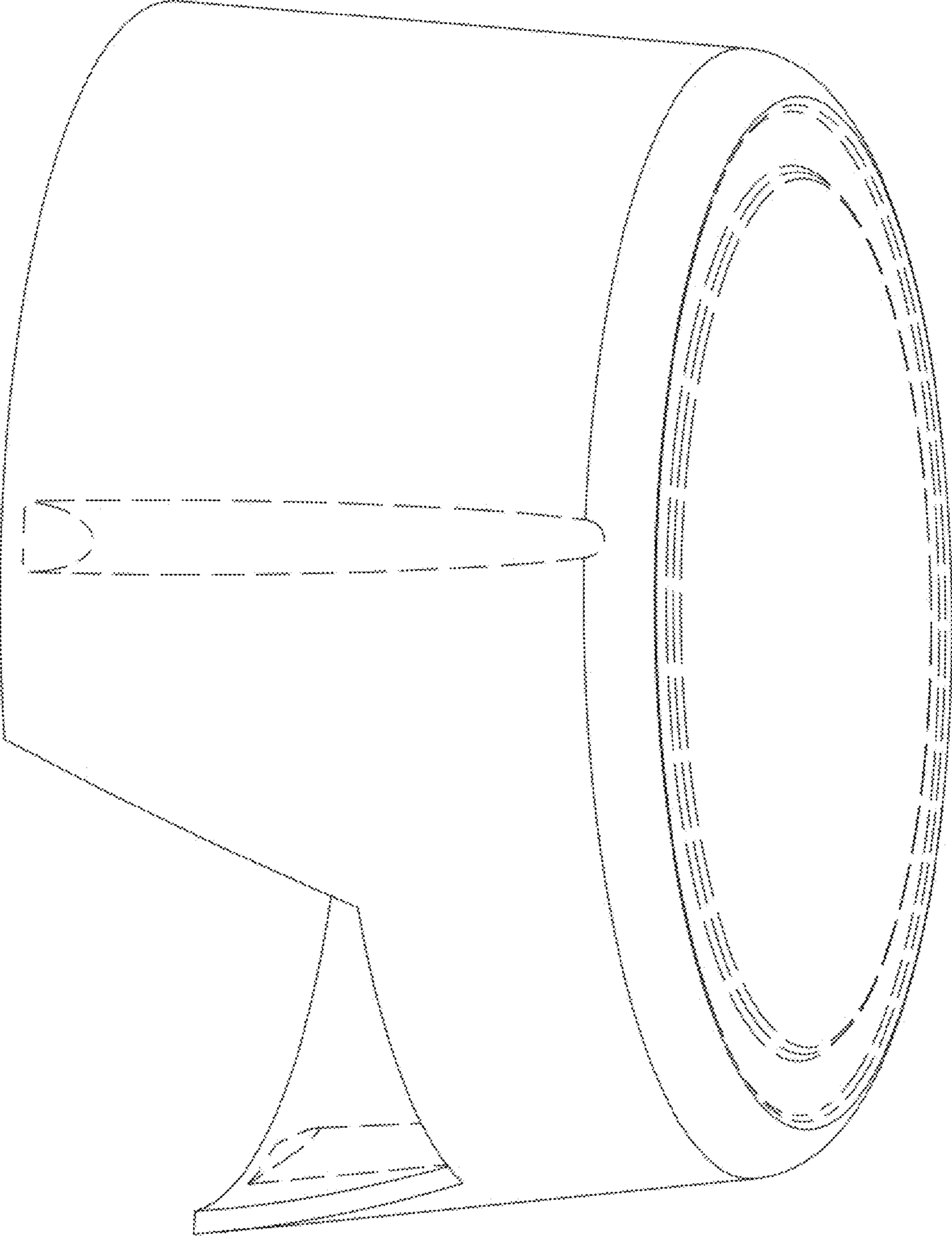


FIG. 2

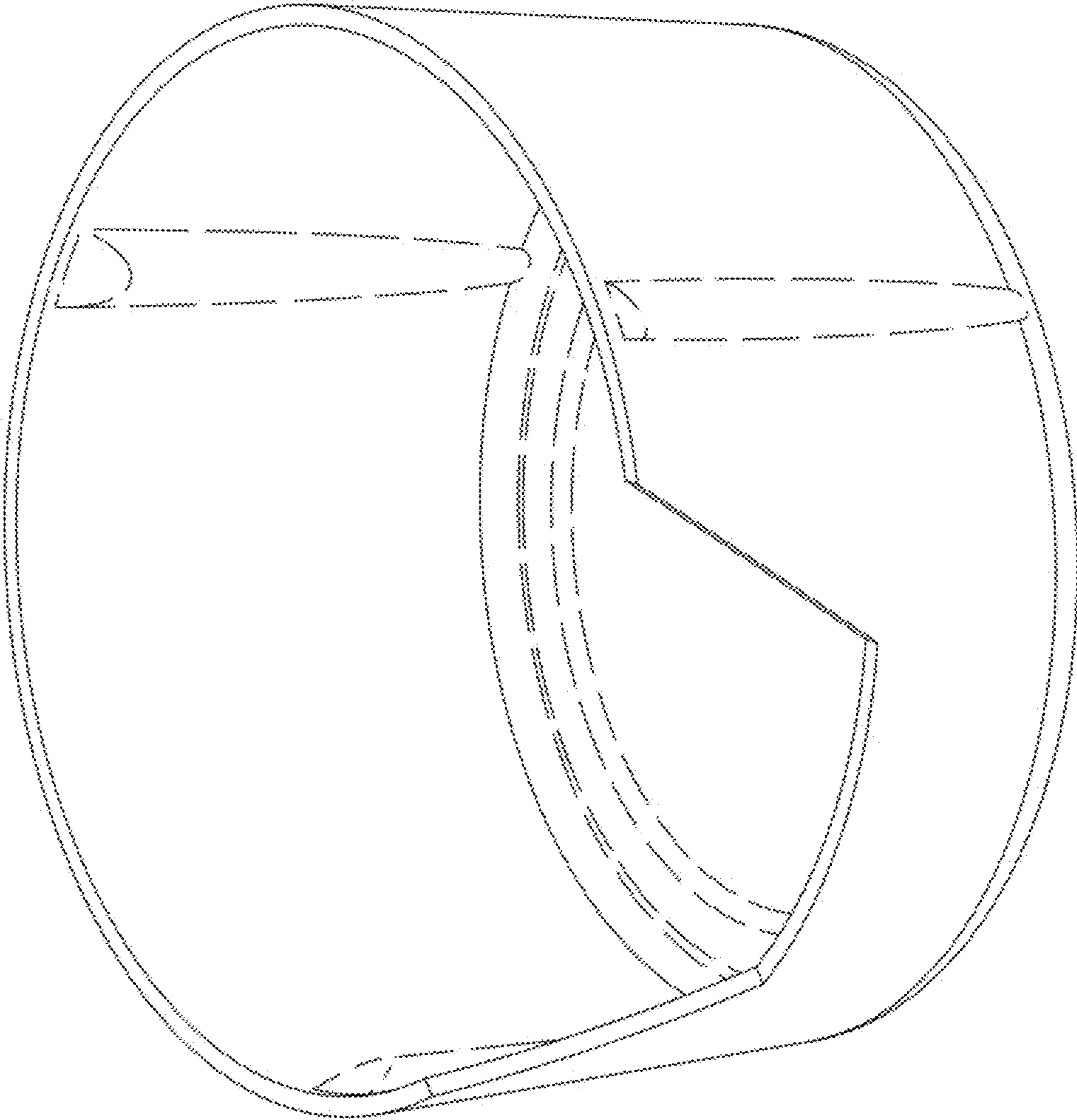


FIG. 3

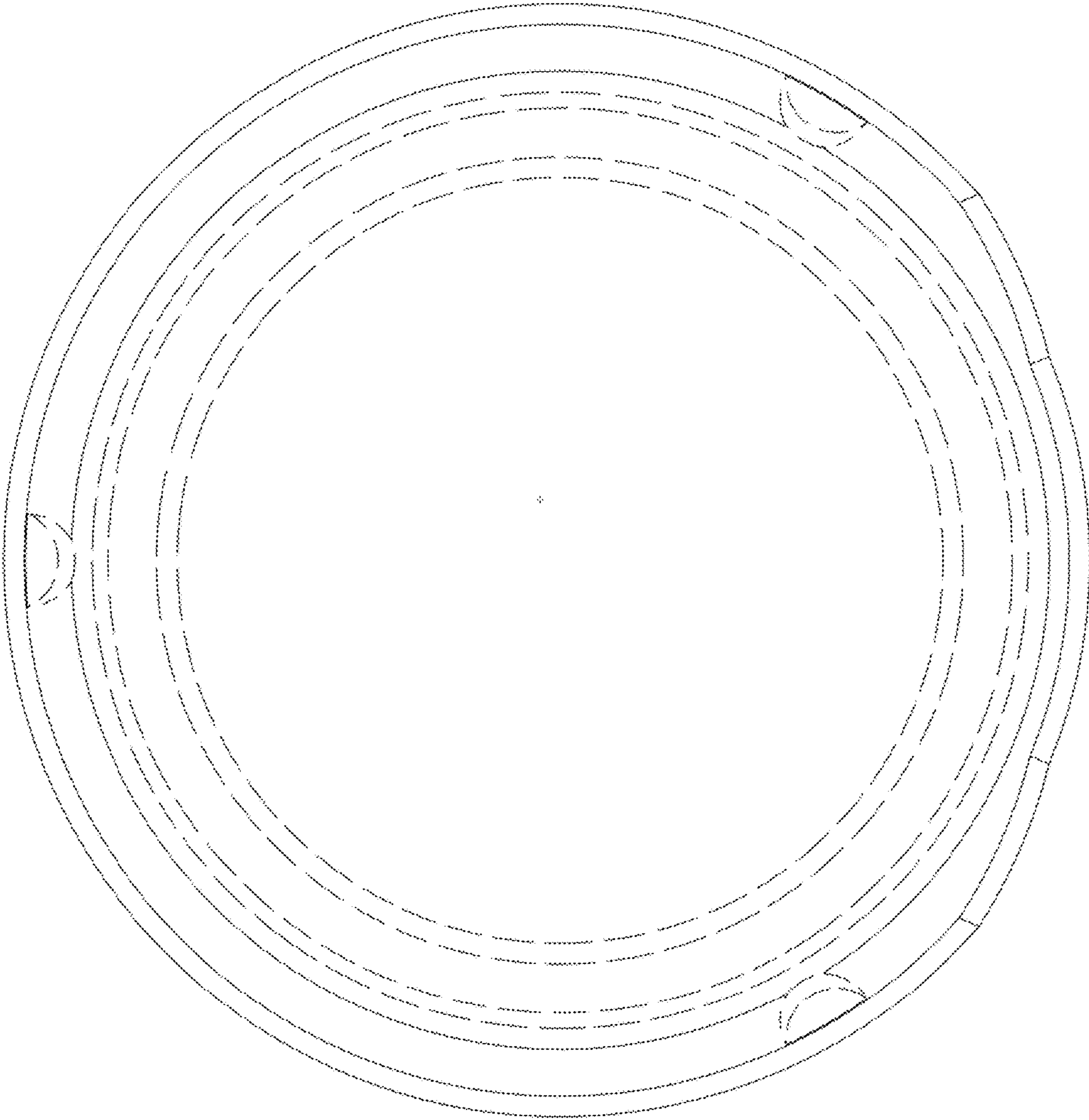


FIG. 4

