



US00D963886S

(12) **United States Design Patent** (10) **Patent No.:** **US D963,886 S**  
**Hogrebe et al.** (45) **Date of Patent:** **\*\* Sep. 13, 2022**

(54) **PIPETTE BODY**  
(71) Applicant: **Mettler-Toledo Rainin, LLC**, Oakland, CA (US)  
(72) Inventors: **Thilo Hogrebe**, Hamburg (DE); **Roland Hopp**, Hamburg (DE); **Fred Held**, Hamburg (DE)

D871,606 S \* 12/2019 Hummel ..... D24/222  
D876,664 S \* 2/2020 Malvoisin ..... D24/222  
2009/0074622 A1 \* 3/2009 Kalamakis ..... G06F 1/1626  
422/400  
2009/0104079 A1 \* 4/2009 O'Connell ..... B01L 3/0217  
422/400  
2018/0225887 A1 8/2018 Keller et al.  
(Continued)

(73) Assignee: **Mettler-Toledo Rainin, LLC**, Oakland, CA (US)  
(\*\*) Term: **15 Years**

**FOREIGN PATENT DOCUMENTS**

EM 002714915-0001 \* 6/2015

(21) Appl. No.: **29/773,994**  
(22) Filed: **Mar. 12, 2021**  
(51) **LOC (13) Cl.** ..... **24-02**  
(52) **U.S. Cl.**  
USPC ..... **D24/224**  
(58) **Field of Classification Search**  
USPC ..... D24/216, 222-226, 231, 232; D14/426  
CPC ..... B65D 25/108; B01L 9/543; B01L 3/0217;  
B01L 3/0279; B01L 3/0244  
See application file for complete search history.

**OTHER PUBLICATIONS**

First Repetitive Pipette with Touchscreen Operation Announced. Online, published date unknown. Retrieved on Jun. 15, 2022 from URL: <https://trends.medicaexpo.com/project-430569.html>.  
(Continued)

*Primary Examiner* — Omeed Agilee  
(74) *Attorney, Agent, or Firm* — Standley Law Group LLP; Jeffrey S. Standley; Eric M. Gayan

(57) **CLAIM**

The ornamental design for a pipette body, as shown and described.

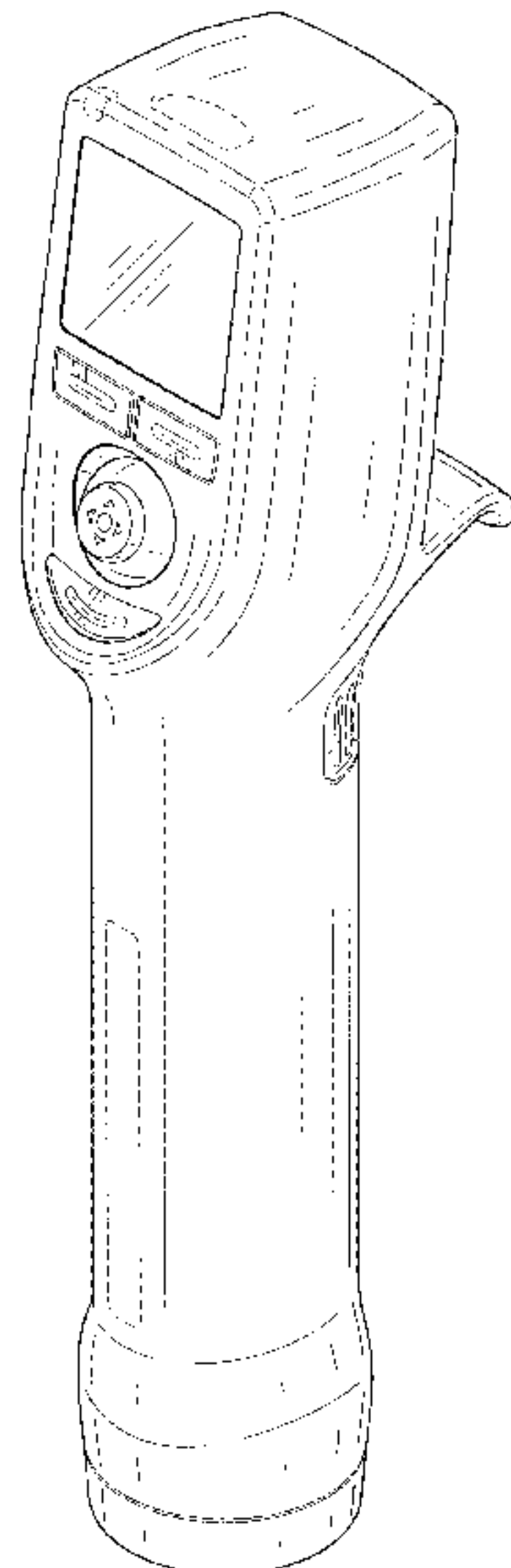
(56) **References Cited**  
U.S. PATENT DOCUMENTS

**DESCRIPTION**

D426,642 S \* 6/2000 Rainin ..... D24/222  
D438,630 S \* 3/2001 Honore ..... D24/222  
6,299,841 B1 \* 10/2001 Rainin ..... B01L 3/0227  
73/864.18  
D450,125 S \* 11/2001 Dingier ..... D24/165  
6,833,114 B1 \* 12/2004 Christen ..... B01L 3/0279  
73/864.18  
D561,346 S \* 2/2008 Alejos ..... D24/222  
D595,419 S \* 6/2009 Alejos ..... D24/222  
D596,756 S \* 7/2009 Ayliffe ..... D24/222  
D750,301 S \* 2/2016 Marzynski ..... D26/37  
D770,056 S \* 10/2016 LaCroix ..... D24/222  
D807,525 S \* 1/2018 Sanchez ..... D24/222  
D826,439 S \* 8/2018 Ma ..... D26/49

FIG. 1 is a top-front perspective view of a pipette body;  
FIG. 2 is a front view thereof;  
FIG. 3 is a rear view thereof;  
FIG. 4 is a right side view thereof;  
FIG. 5 is a left side view thereof;  
FIG. 6 is a top view thereof;  
FIG. 7 is a bottom view thereof; and,  
FIG. 8 is a bottom-rear perspective view thereof.  
In the drawing figures, features shown in broken lines indicate environmental subject matter only, and form no part of the claimed design.

**1 Claim, 5 Drawing Sheets**



(56)

**References Cited**

U.S. PATENT DOCUMENTS

2021/0121869 A1\* 4/2021 McNaul ..... B01L 3/0279  
2021/0121885 A1\* 4/2021 Hill ..... B01L 3/0237

OTHER PUBLICATIONS

Brand Handystep Electronic Repetitive Pipette With Charging Base.  
Online, published date unknown. Retrieved on Jun. 15, 2022 from  
URL: <https://expresslabwerks.com/products/brand-handystep-electronic-repetitive-pipette-with-charging-base>.\*

Eppendorf AG, Multipette E3/E3x, accessed online at <https://online-shop.eppendorf.com/OC-en/Manual-Liquid-Handling-44563/Pipettes-44564/MultipetteE3-E3x-PF-135444.html>, 2019, 8 pages.

\* cited by examiner

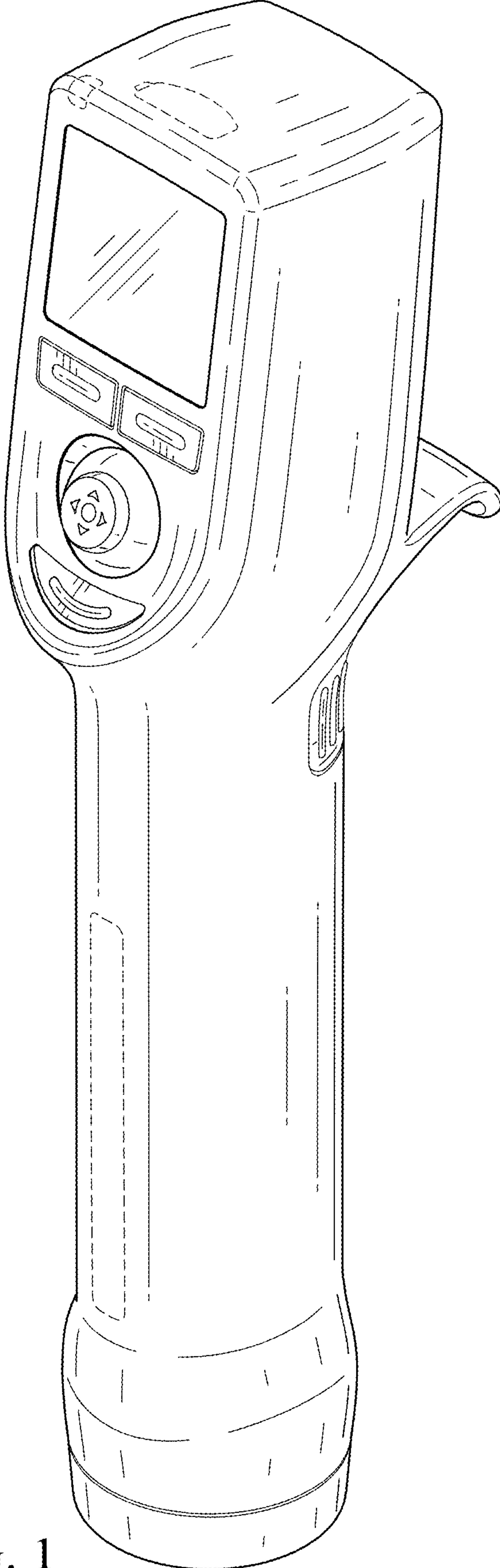


FIG. 1

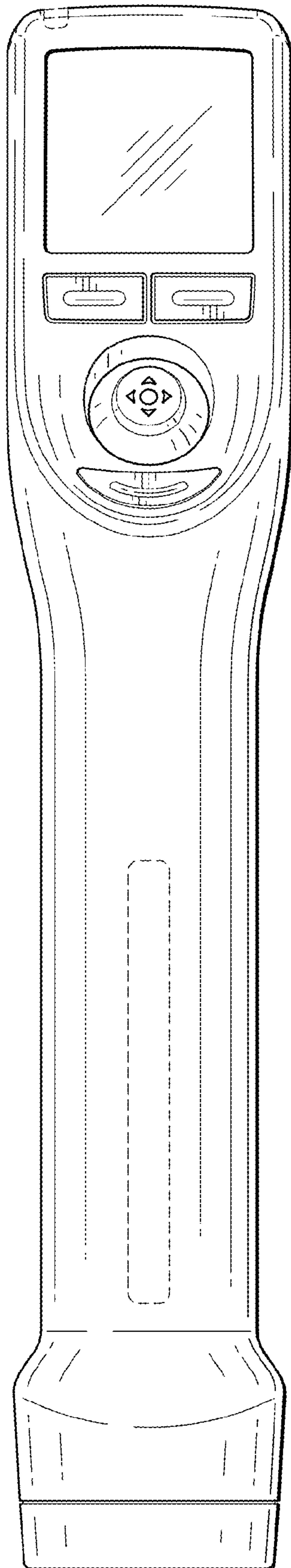


FIG. 2

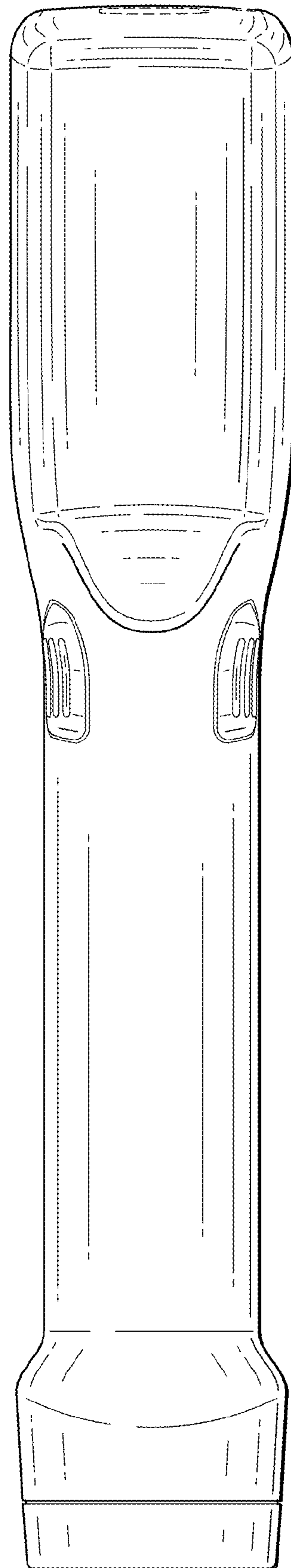


FIG. 3

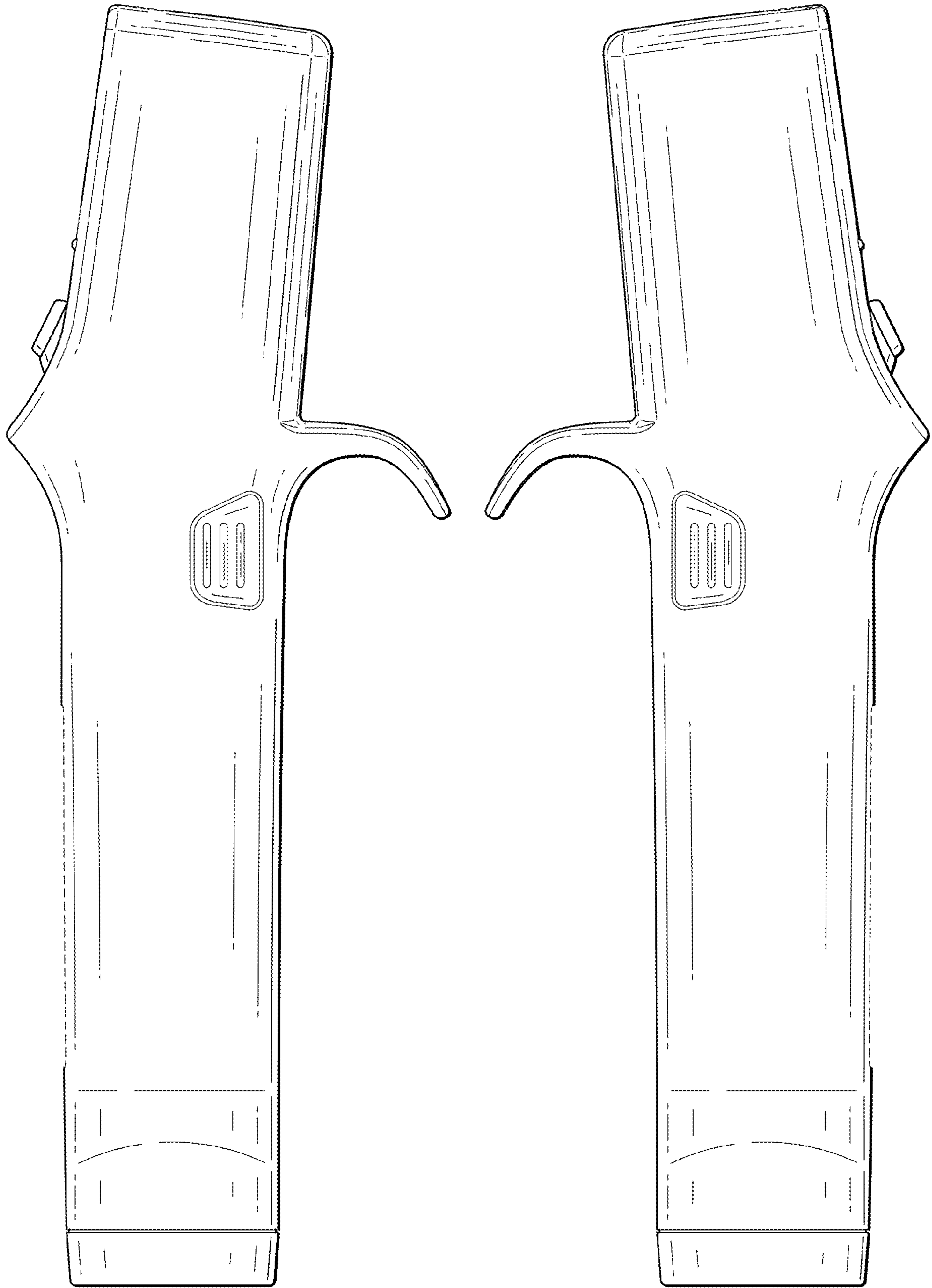


FIG. 4

FIG. 5



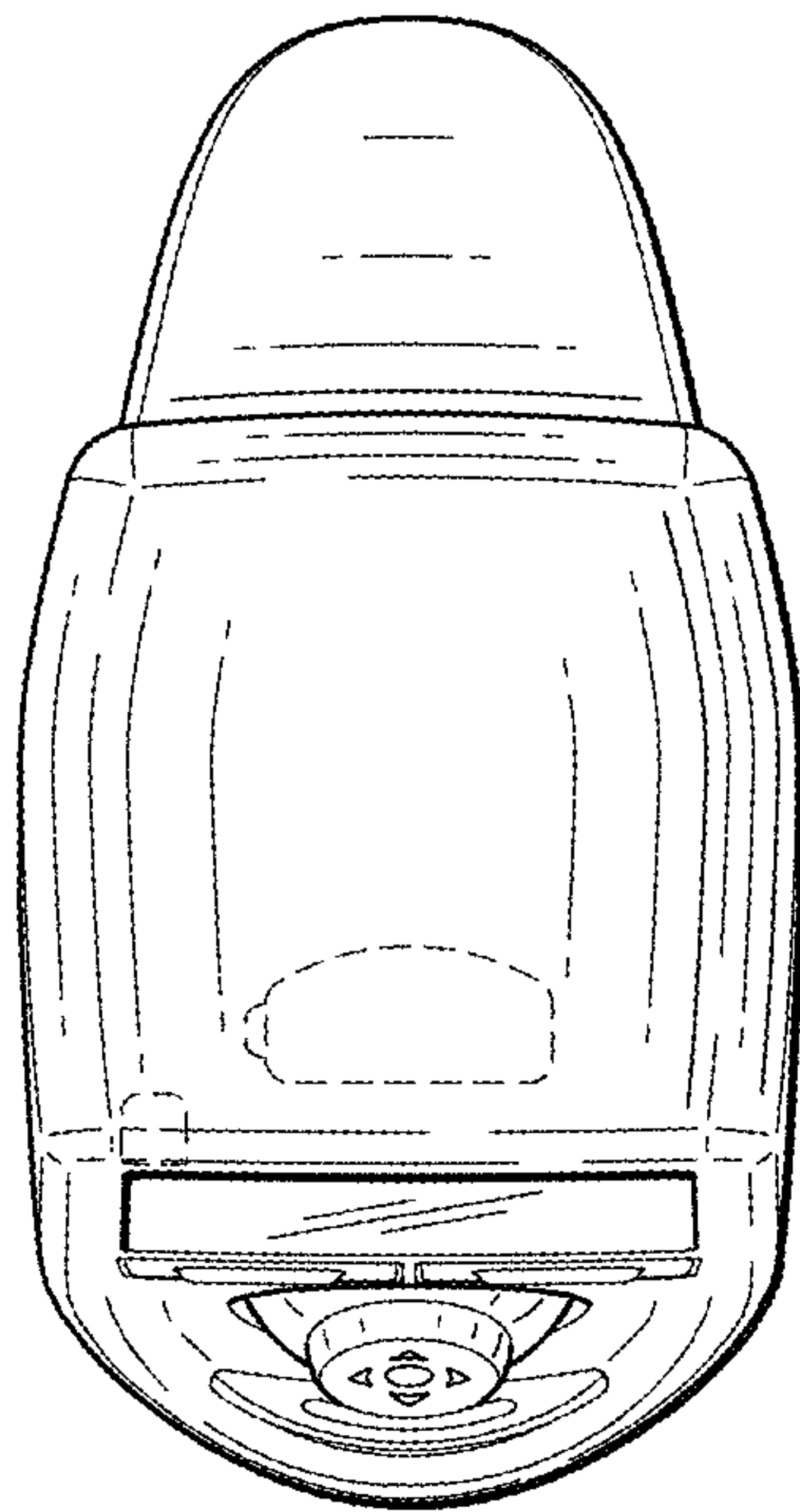


FIG. 6

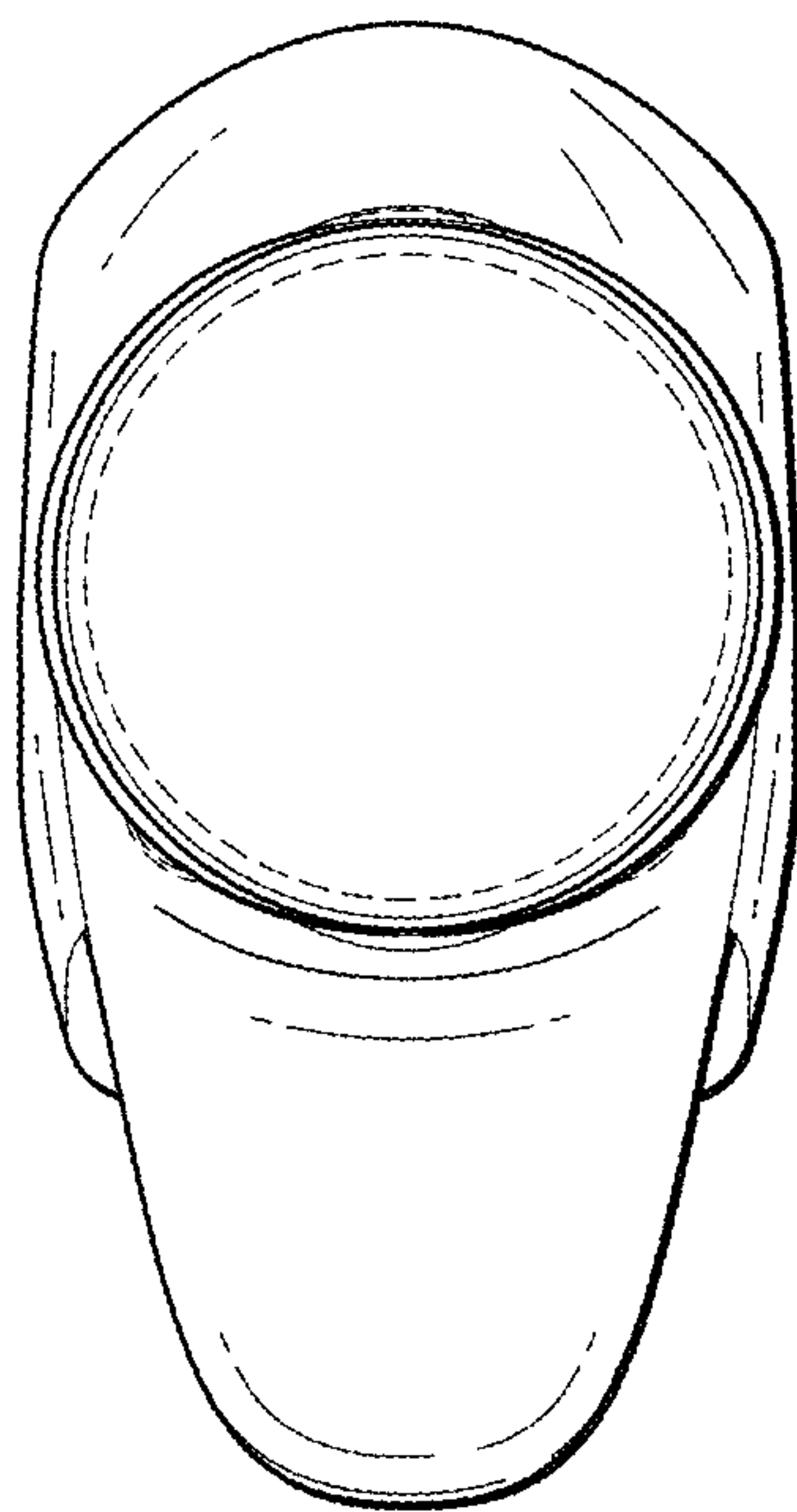


FIG. 7

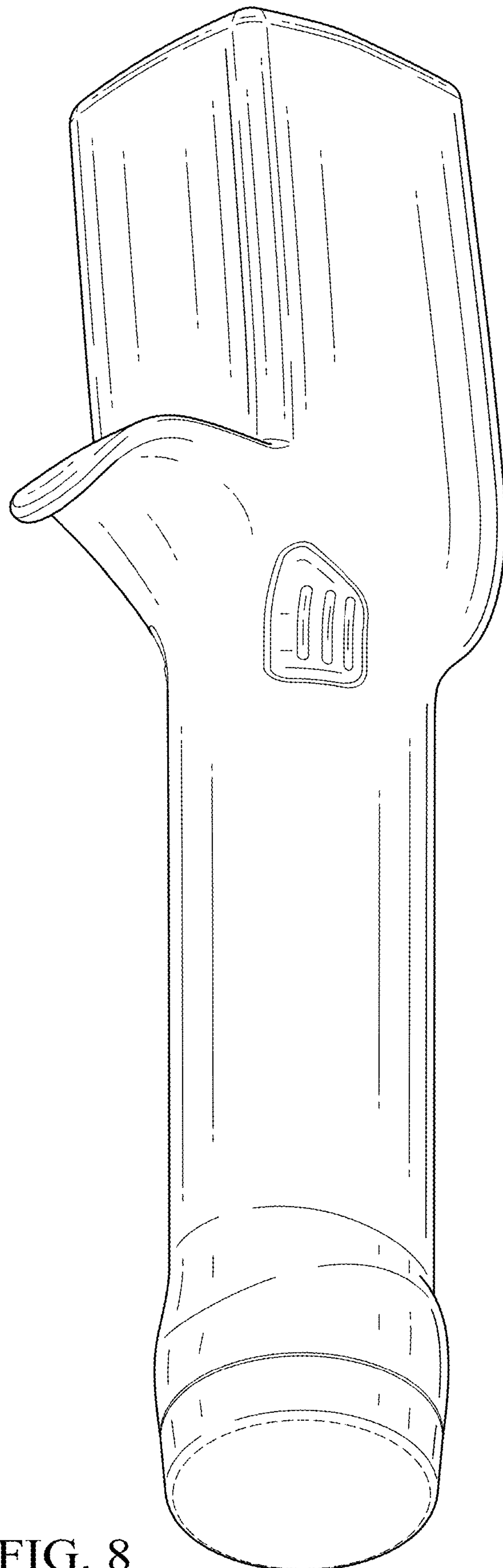


FIG. 8