



US00D963883S

(12) **United States Design Patent** (10) **Patent No.:** **US D963,883 S**
Bausback et al. (45) **Date of Patent:** **** Sep. 13, 2022**

(54) **MEDICAL DIAGNOSTIC DEVICE**
(71) Applicant: **Bloom Diagnostics AG**, Zürich (CH)
(72) Inventors: **Christiane Bausback**, Munich (DE);
David Beyersdorffer, Munich (DE)
(**) Term: **15 Years**
(21) Appl. No.: **35/509,822**
(22) Filed: **Mar. 19, 2020**

D639,273 S * 6/2011 Chow D14/209.1
D659,680 S * 5/2012 Kim D14/216
D687,809 S * 8/2013 Bergmann D14/209.1
D691,965 S * 10/2013 Bedolla D13/162
D725,285 S * 3/2015 Wohlstadter D24/216
D781,274 S * 3/2017 Kim D14/242
D789,534 S * 6/2017 Bastia D24/138
D811,392 S * 2/2018 Lu D14/358
D869,463 S * 12/2019 Gagne-Keats D14/358
D885,436 S * 5/2020 Mangum D14/496
D905,868 S * 12/2020 Rowe D24/232
D922,381 S * 6/2021 Mills D14/358

(80) **Hague Agreement Data**
Int. Filing Date: **Mar. 19, 2020**
Int. Reg. No.: **DM/209104**
Int. Reg. Date: **Mar. 19, 2020**
Int. Reg. Pub. Date: **Jul. 17, 2020**

(30) **Foreign Application Priority Data**
Sep. 24, 2019 (CH) 201900538

(51) **LOC (13) Cl.** **24-01**
(52) **U.S. Cl.**
USPC **D24/216; D24/232**

(58) **Field of Classification Search**
USPC D24/107, 216, 217, 219, 220, 221, 224,
D24/230, 232
CPC G01N 21/78; G01N 1/38; B01L 3/5023
See application file for complete search history.

(56) **References Cited**
U.S. PATENT DOCUMENTS
D208,475 S * 9/1967 Wood D13/168
D464,325 S * 10/2002 Peters D13/156
D540,291 S * 4/2007 Heath D14/137
D541,228 S * 4/2007 Thursfield D13/168
D569,991 S * 5/2008 Elie D24/232
D626,939 S * 11/2010 Chen D14/216

OTHER PUBLICATIONS

Tech EU. Swiss medtech startup Bloom Diagnostics launches new testing system after €10 million Series B. Aug. 19, 2020. <https://tech.eu/brief/bloom-diagnostics-series-b/> (Year: 2020).*

* cited by examiner

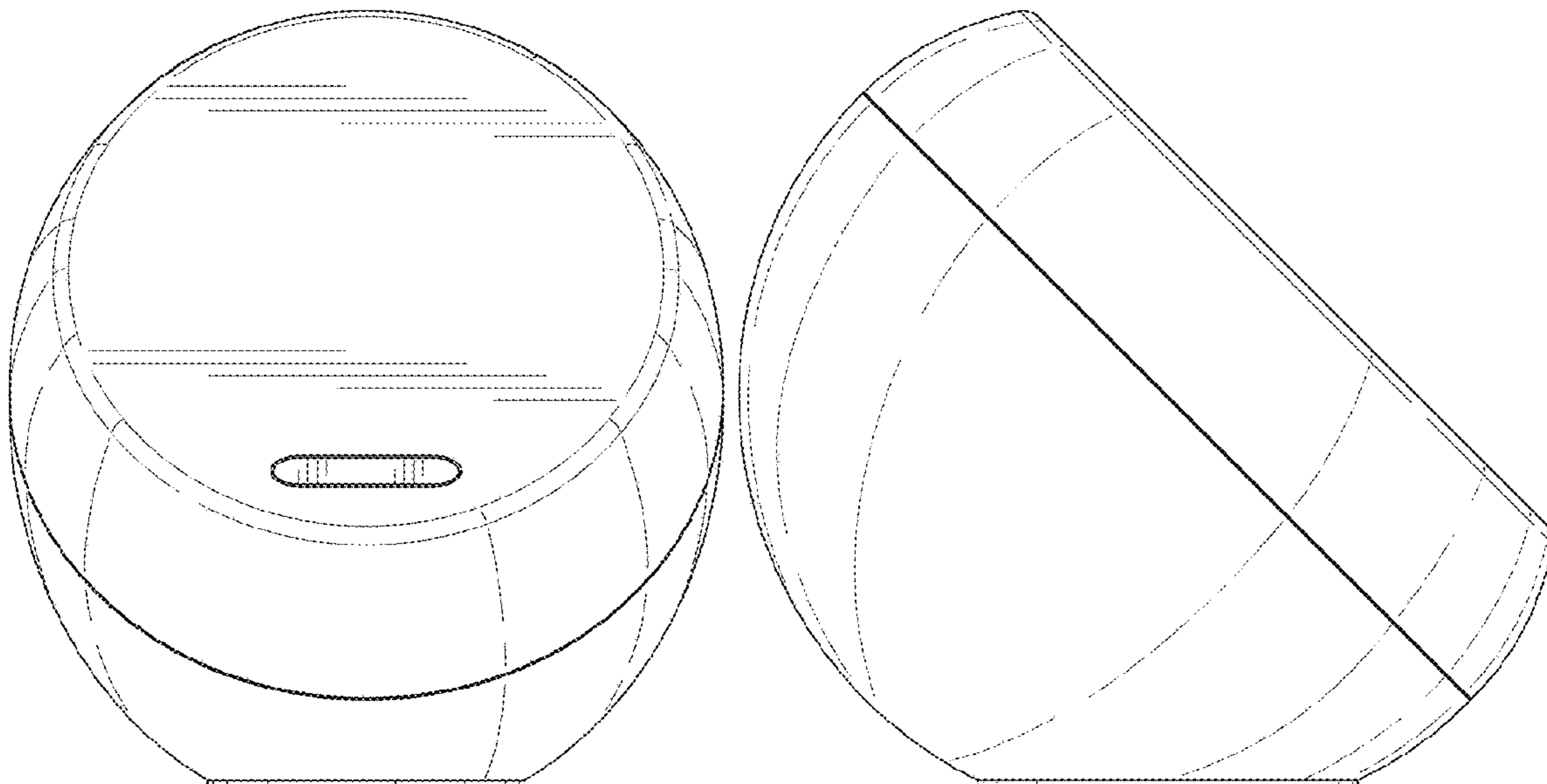
Primary Examiner — Darcey E Gottschalk
(74) *Attorney, Agent, or Firm* — Meddler Ferro Woodhouse & Mills PLLC

(57) **CLAIM**
The ornamental design for a medical diagnostic device, as shown and described.

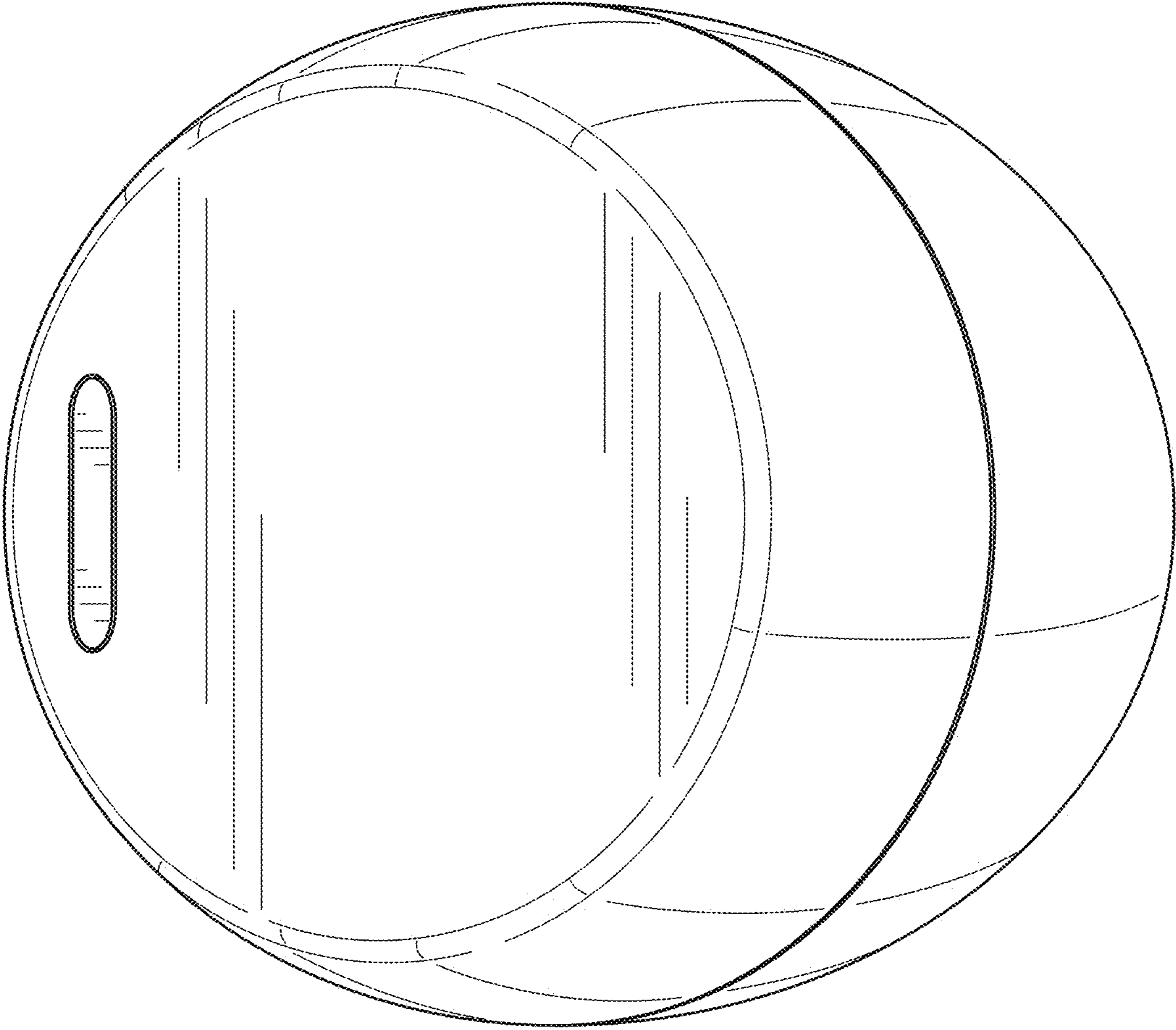
DESCRIPTION

1. Medical diagnostic device
1.1 :Top
1.2: Back
1.3: Bottom
1.4 : Front
1.5 : Left
1.6: Right
In the reproductions, the evenly-spaced broken lines show portions of a medical diagnostic device that form no part of the claimed design.

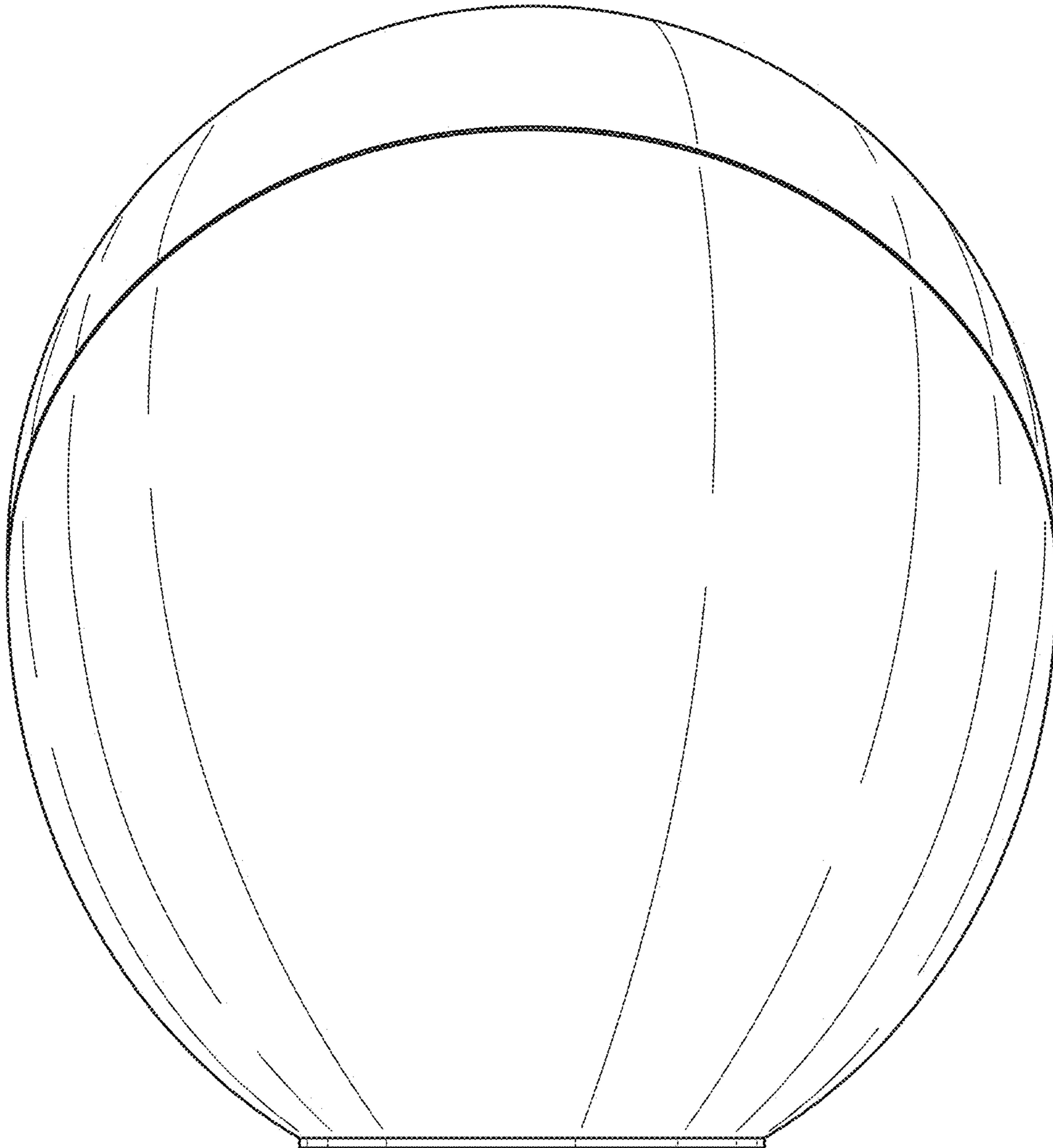
1 Claim, 6 Drawing Sheets



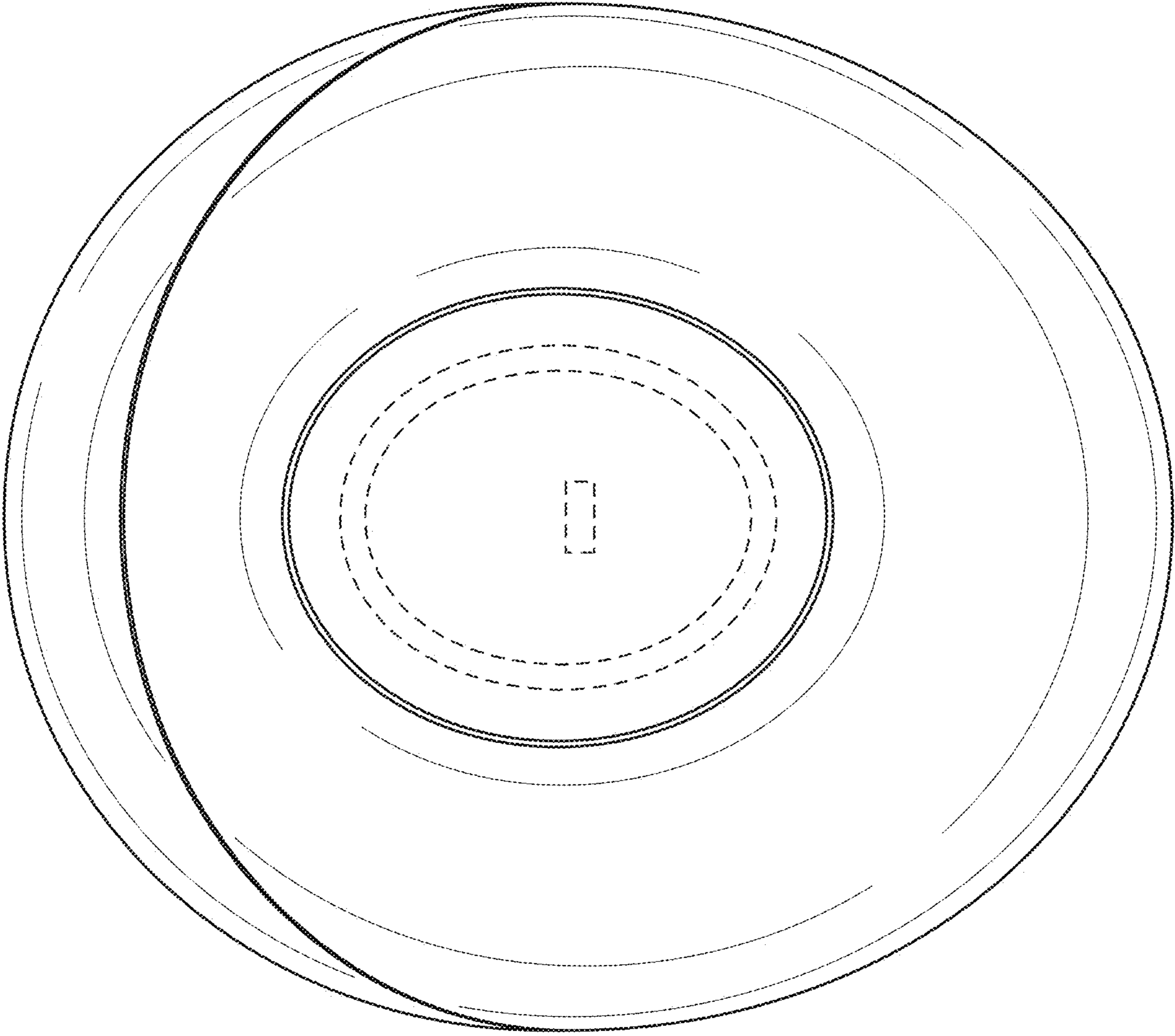
1.1



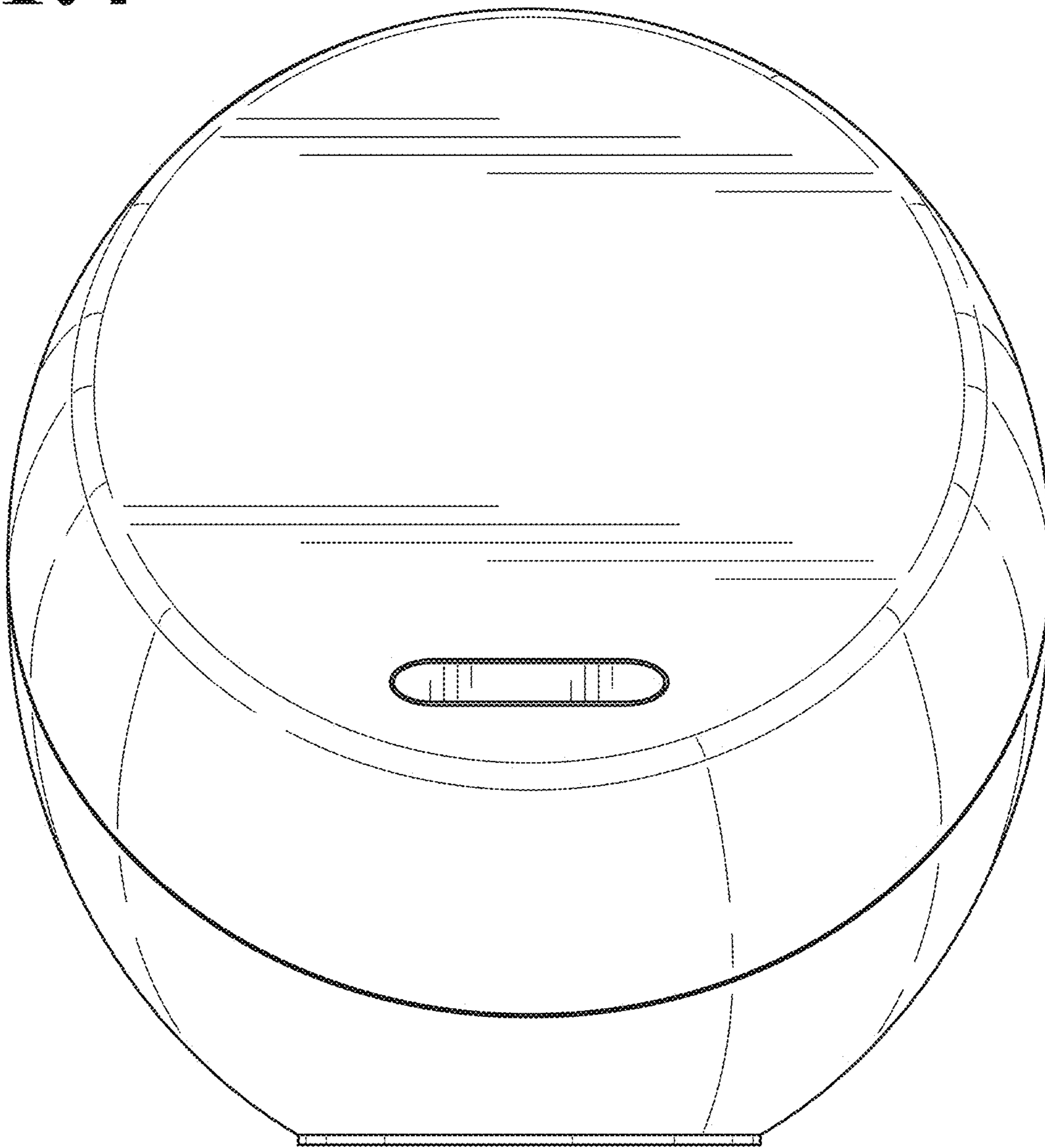
1.2



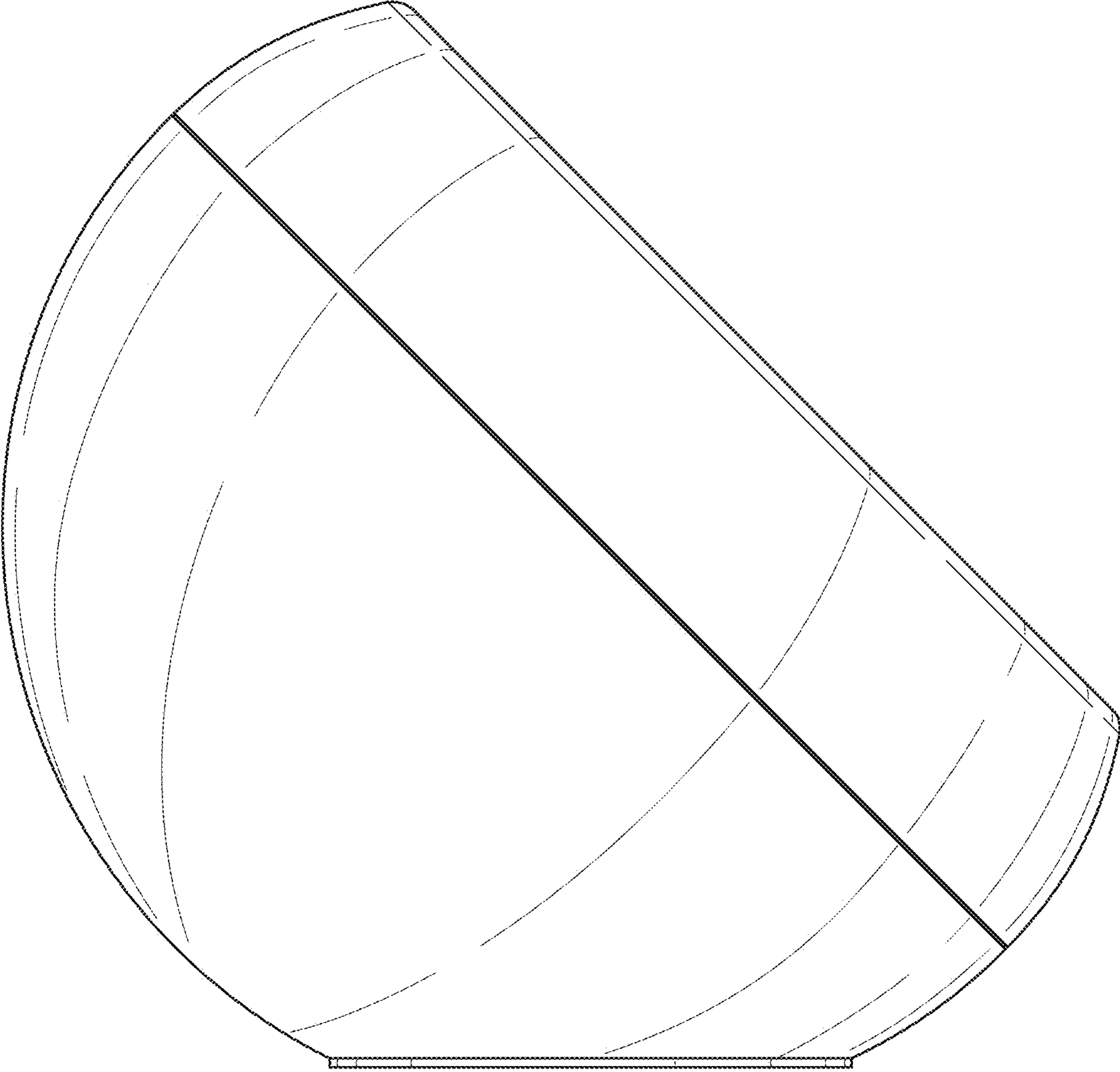
1.3



1.4



1.5



1.6

