



US00D963881S

(12) **United States Design Patent**
Deng

(10) **Patent No.:** **US D963,881 S**

(45) **Date of Patent:** **** Sep. 13, 2022**

(54) **MASSAGE APPLIANCE**

(71) Applicant: **Ping Deng**, Neijiang (CN)

(72) Inventor: **Ping Deng**, Neijiang (CN)

(**) Term: **15 Years**

(21) Appl. No.: **29/764,244**

(22) Filed: **Dec. 29, 2020**

(51) **LOC (13) Cl.** **28-03**

(52) **U.S. Cl.**
USPC **D24/215**

(58) **Field of Classification Search**
USPC D24/200, 211, 212, 213, 214, 215;
D8/14.1; D28/13

CPC . A61H 2201/1635; A61H 23/006; A61H 1/00
See application file for complete search history.

D949,391	S	*	4/2022	Wersland	D24/215
D949,392	S	*	4/2022	Wersland	D24/215
D949,401	S	*	4/2022	Lee	D24/215
2020/0069510	A1	*	3/2020	Wersland	A61H 15/0085
2020/0289365	A1	*	9/2020	Wersland	A61H 1/008
2020/0343746	A1	*	10/2020	Solana	H02J 7/0044
2020/0390645	A1	*	12/2020	Wersland	A61H 23/006
2020/0405574	A1	*	12/2020	Wersland	A61H 1/008
2021/0022955	A1	*	1/2021	Wersland	A61B 5/4806
2021/0154092	A1	*	5/2021	Wersland	A61H 23/00
2021/0169733	A1	*	6/2021	Wersland	A61H 23/0254
2021/0177692	A1	*	6/2021	Nazarian	H02K 7/145
2022/0047453	A1	*	2/2022	Wersland	A61H 23/0254

* cited by examiner

Primary Examiner — Michael A Maharajh

(57) **CLAIM**

The ornamental design for a massage appliance, as shown and described.

(56) **References Cited**

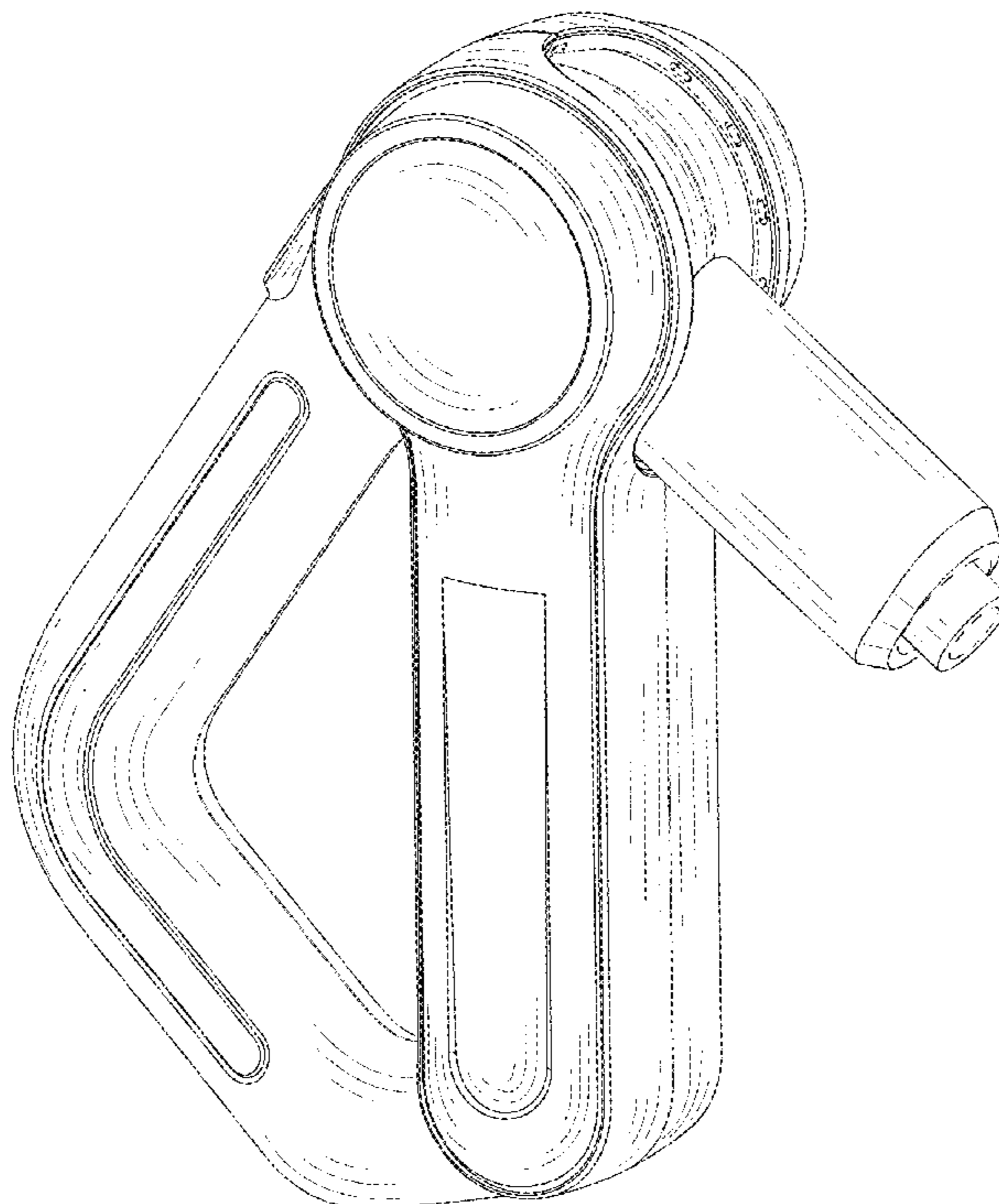
U.S. PATENT DOCUMENTS

D872,869	S	*	1/2020	Lu	D24/215
D877,351	S	*	3/2020	Wersland	D24/215
D879,985	S	*	3/2020	Wersland	D24/214
D879,986	S	*	3/2020	Wersland	D24/214
D880,714	S	*	4/2020	Wersland	D24/215
D880,715	S	*	4/2020	Wersland	D24/215
D880,716	S	*	4/2020	Wersland	D24/215
D884,915	S	*	5/2020	Wersland	D24/215
D885,601	S	*	5/2020	Wersland	D24/215
D887,573	S	*	6/2020	Wersland	D24/215
D896,396	S	*	9/2020	Wersland	D24/215
10,959,911	B2	*	3/2021	Wersland	A61H 1/00
D921,914	S	*	6/2021	Wersland	D24/214
D930,179	S	*	9/2021	Zhu	D24/215
D949,390	S	*	4/2022	Wersland	D24/215

DESCRIPTION

FIG. 1 is a perspective view of a massage appliance showing my new design;
FIG. 2 is a front view thereof;
FIG. 3 is a rear view thereof;
FIG. 4 is a left side view thereof;
FIG. 5 is a right side view thereof;
FIG. 6 is a top plan view thereof;
FIG. 7 is a bottom plan view thereof; and,
FIG. 8 is another perspective view thereof.
The broken lines in the drawings are for the purpose of illustrating portions of the massage appliance, which form no part of the claimed design.

1 Claim, 8 Drawing Sheets



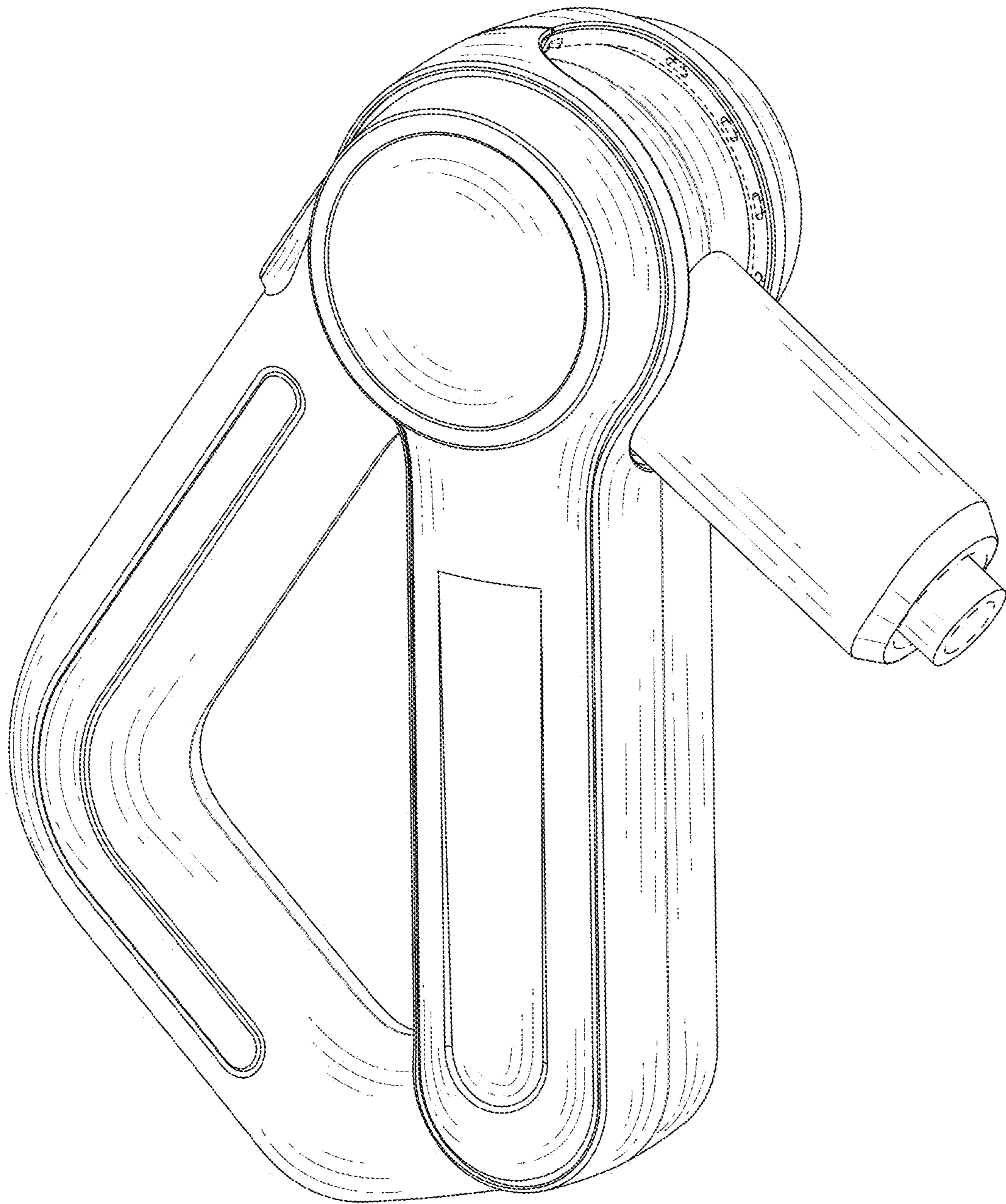


FIG. 1

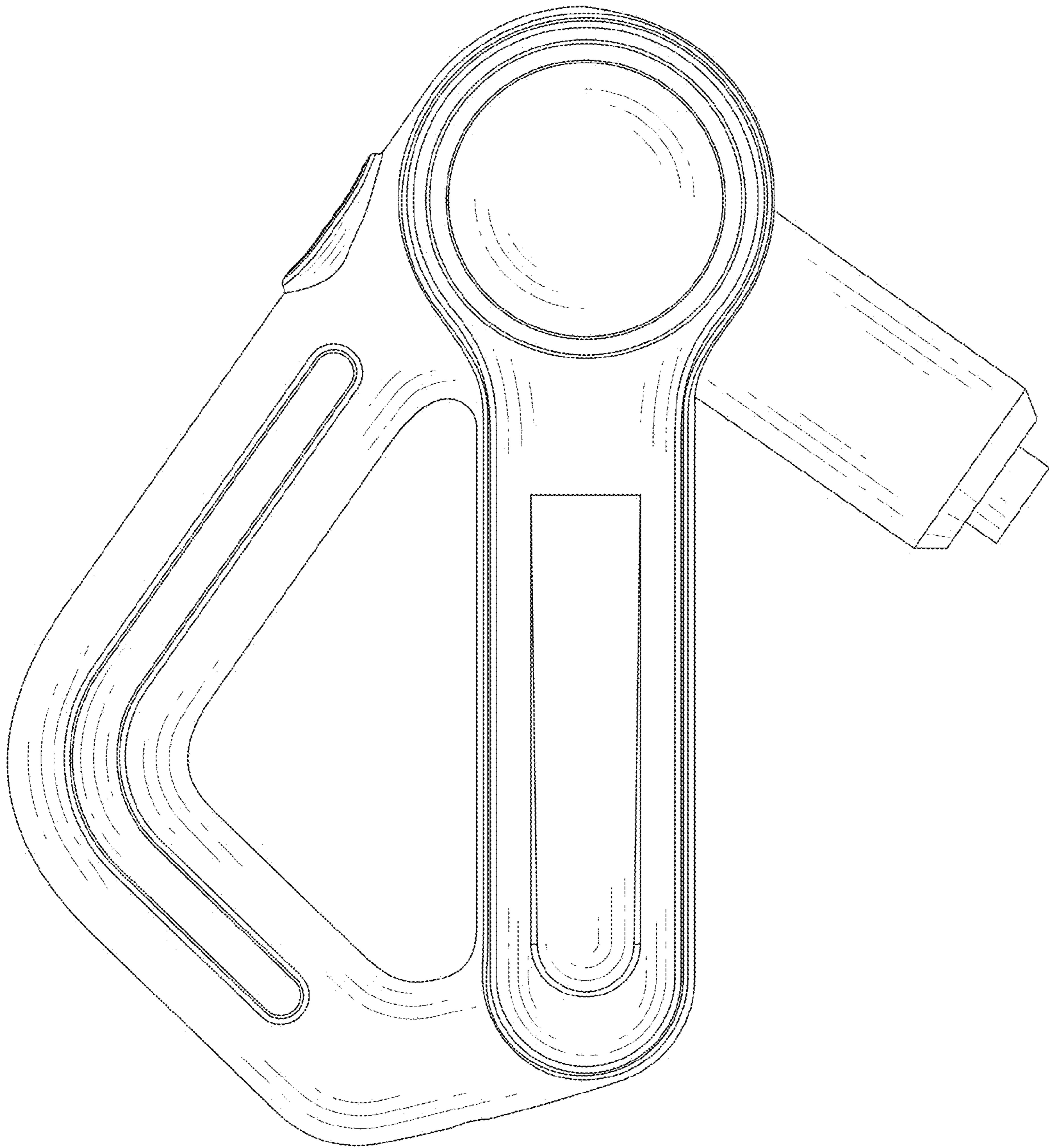


FIG.2

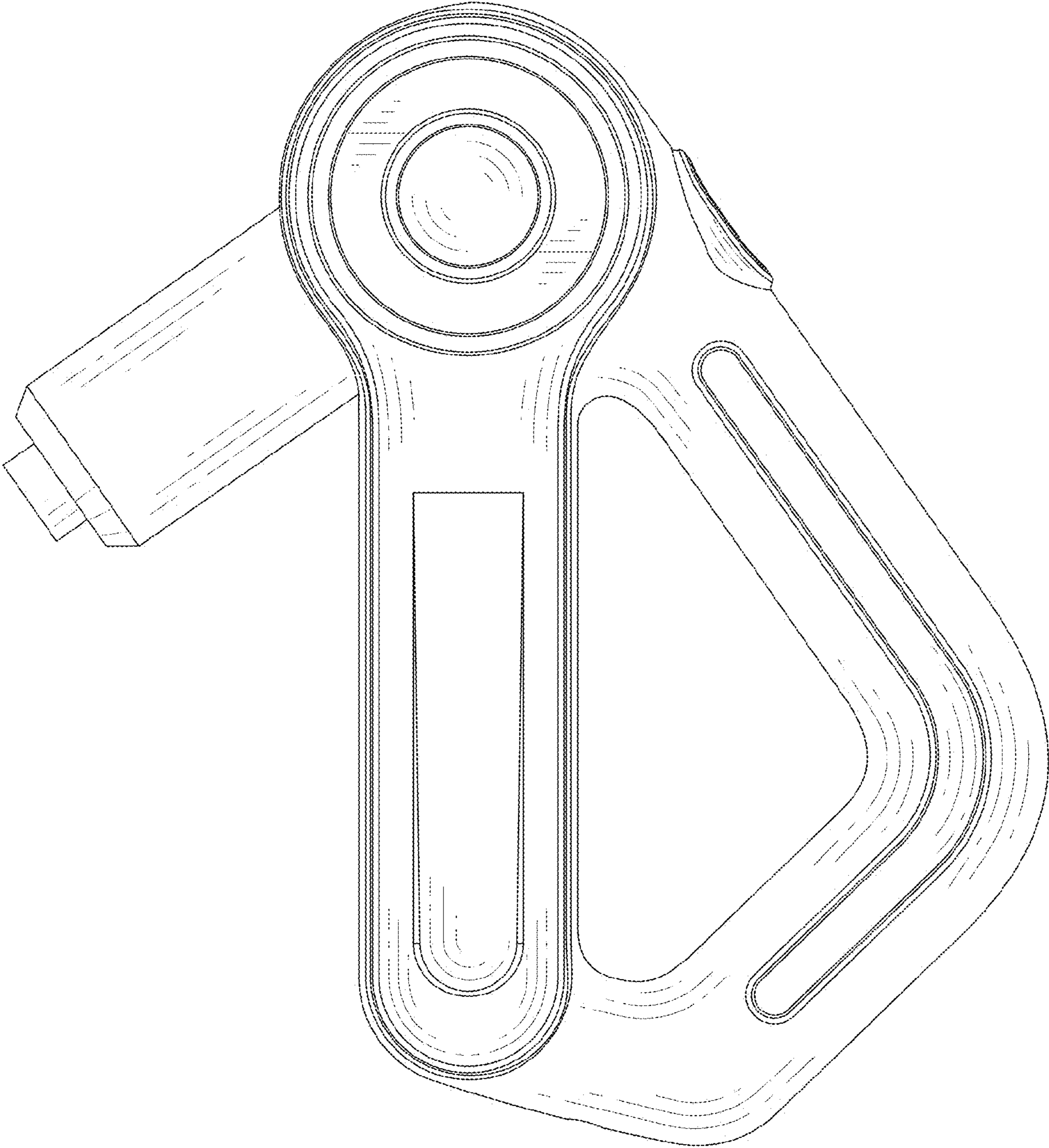


FIG.3

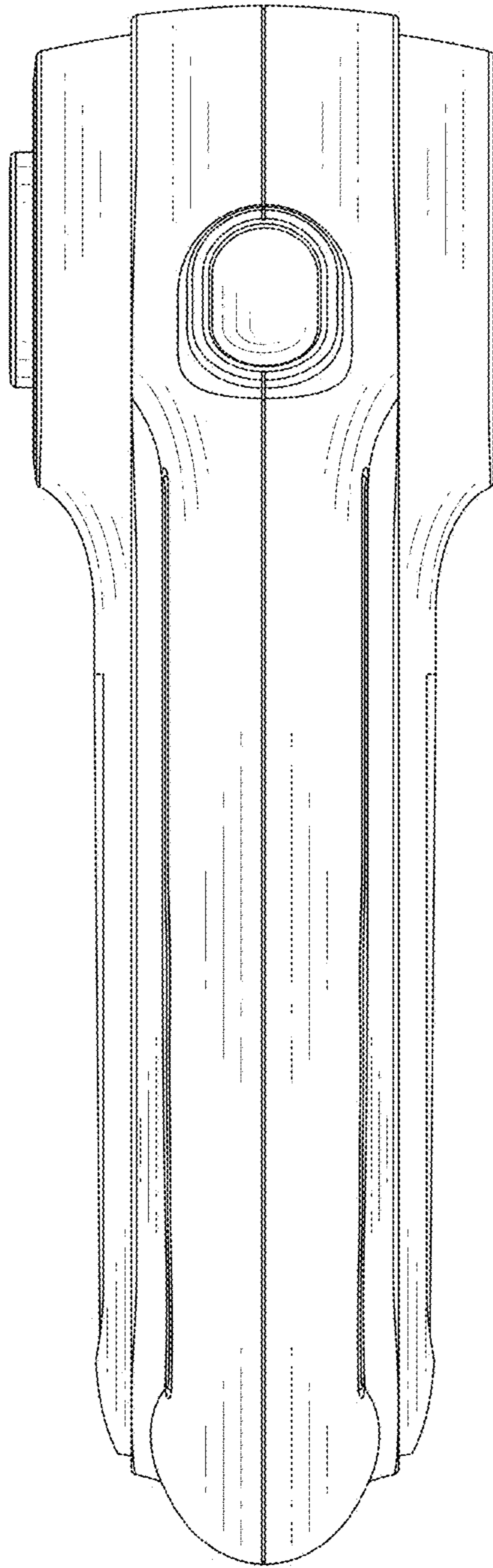


FIG.4

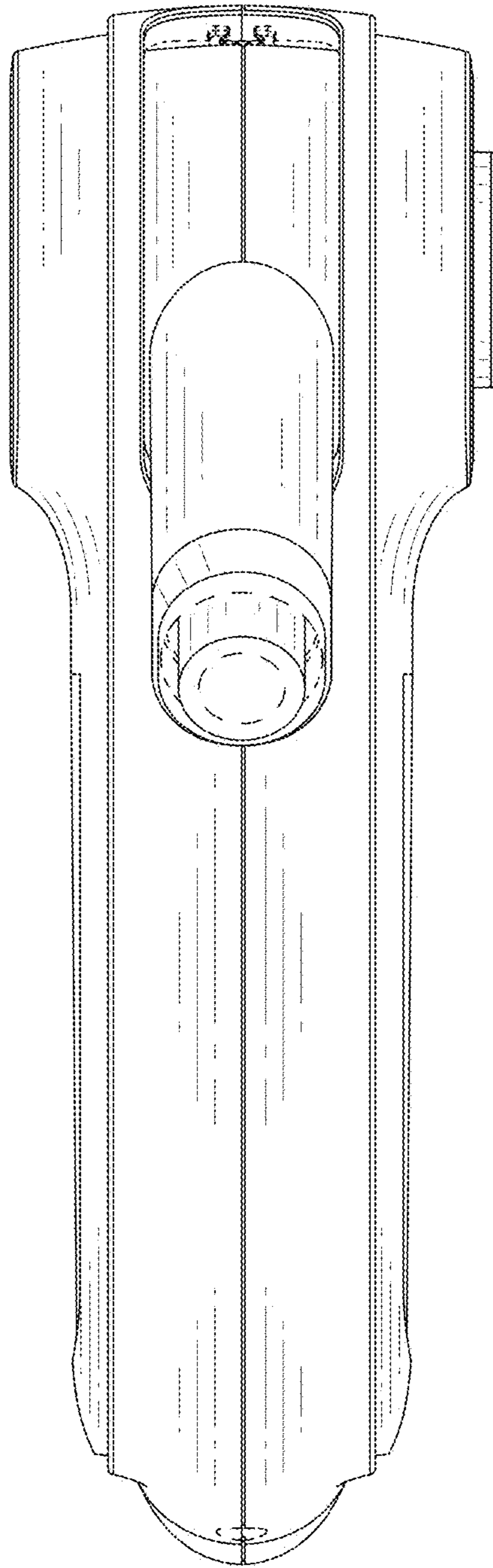


FIG.5

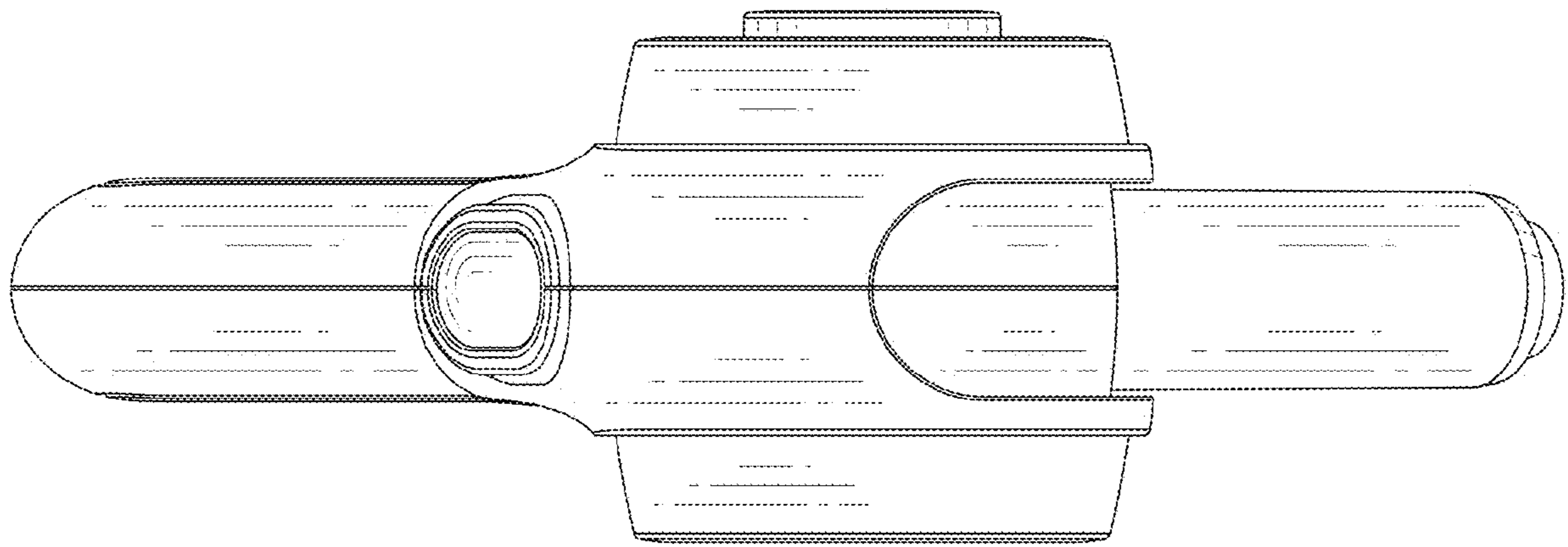


FIG.6

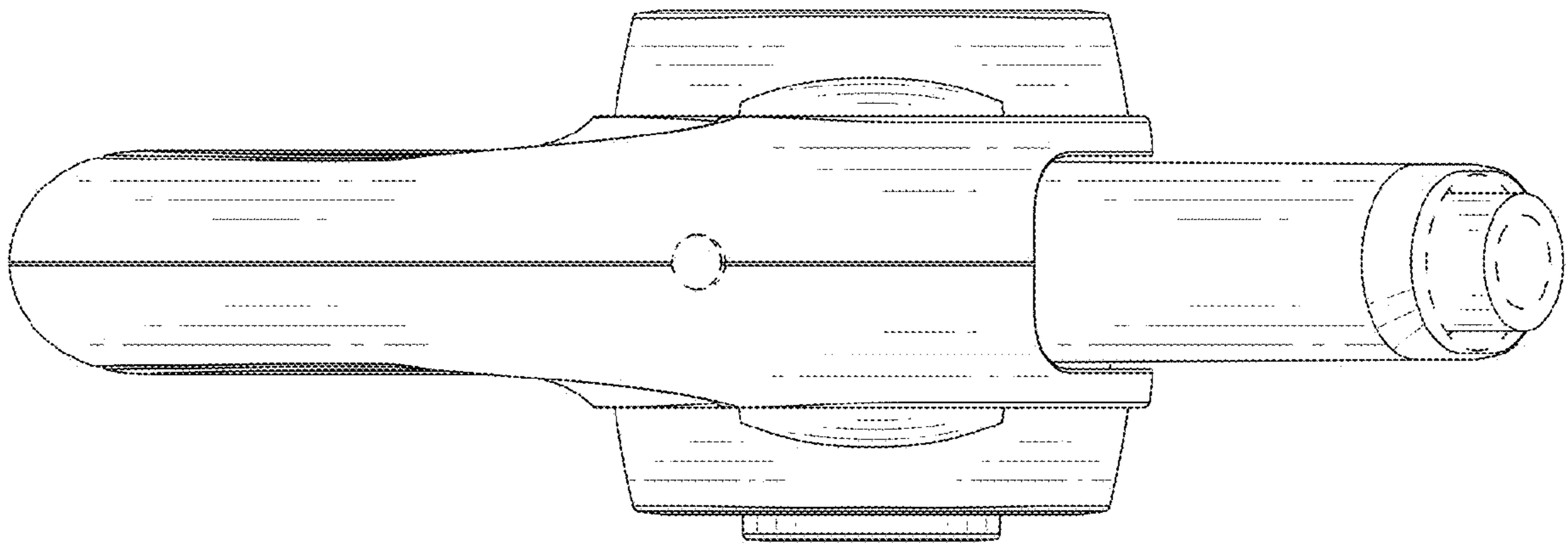


FIG. 7

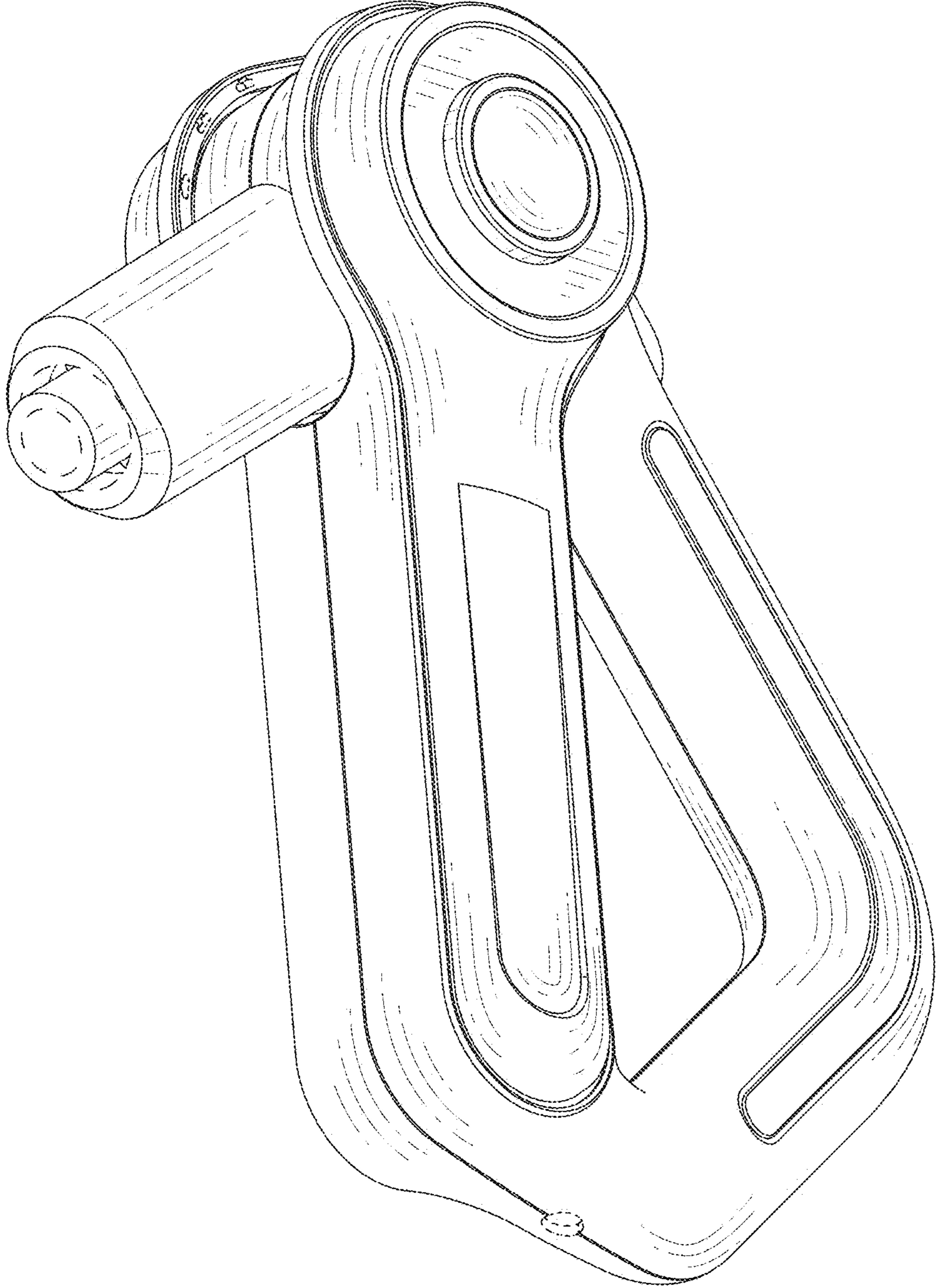


FIG.8