



US00D963879S

(12) **United States Design Patent** (10) **Patent No.:** **US D963,879 S**  
**Li** (45) **Date of Patent:** **\*\* Sep. 13, 2022**

(54) **MASSAGER**  
(71) Applicant: **Gangxuan Li**, Yongkang (CN)  
(72) Inventor: **Gangxuan Li**, Yongkang (CN)  
(\*\*) Term: **15 Years**  
(21) Appl. No.: **29/749,827**  
(22) Filed: **Sep. 9, 2020**  
(51) **LOC (13) Cl.** ..... **28-03**  
(52) **U.S. Cl.**  
USPC ..... **D24/215**  
(58) **Field of Classification Search**  
USPC ..... D24/215, 200, 211, 212, 213, 214, 133,  
D24/107, 231, 184; D8/14.1, 61;  
D28/12, 13  
CPC ..... A61H 15/00; A61H 15/0092; A61H  
15/0078; A61H 15/0085; A61H  
2015/0007; A61H 2015/0042; A61H  
2201/0153; A61H 7/00; A61H 7/003;  
A61H 7/004; A61H 7/005; A61H 9/00;  
A61H 2205/06  
See application file for complete search history.

(56) **References Cited**  
**U.S. PATENT DOCUMENTS**  
D314,126 S \* 1/1991 Moore ..... D8/67  
D369,434 S \* 4/1996 LeCompte, Sr. .... D28/13  
D403,075 S \* 12/1998 Lie ..... D24/215  
6,682,496 B1 \* 1/2004 Pivaroff ..... A61H 7/005  
601/107  
D730,576 S \* 5/2015 Gammack ..... D28/13  
D782,731 S \* 3/2017 Smith ..... D28/13  
D782,733 S \* 3/2017 Smith ..... D28/13  
D796,037 S \* 8/2017 Becker ..... D24/133  
D847,364 S \* 4/2019 Lee ..... D24/215  
D884,205 S \* 5/2020 Zhuang ..... D24/215  
D895,132 S \* 9/2020 Hu ..... D24/215  
D931,487 S \* 9/2021 Li ..... D24/215

2016/0074641 A1\* 3/2016 Mehta ..... A61H 23/02  
604/315  
2016/0338899 A1\* 11/2016 Howson ..... A61H 7/003  
2019/0175434 A1\* 6/2019 Zhang ..... A61H 15/0085  
2020/0085675 A1\* 3/2020 Lee ..... A61H 23/006

**OTHER PUBLICATIONS**

Addsfit—Mini Massage Gun. Date: Jun. 23, 2020. [online]. [Site visited Jun. 8, 2022]. Available from Internet URL: <https://www.amazon.com/dp/B08BLJK6GF/> (Year: 2020).  
Massagers. (Design—© Questel) orbit.com. [Online PDF compilation of references] 24 pgs. Print Dates Range Jan. 7, 2020-Jul. 17, 2020 [Retrieved Jun. 2, 2022] <https://www.orbit.com/export/UCZAH96B/pdf4/21533bb3-22a9-4ddf-876b-5e29a2611b93-184932.pdf> (Year: 2022).\*

\* cited by examiner

*Primary Examiner* — Susan Bennett Hattan  
*Assistant Examiner* — Landon Thomas Cassell  
(74) *Attorney, Agent, or Firm* — Rumit Ranjit Kanakia

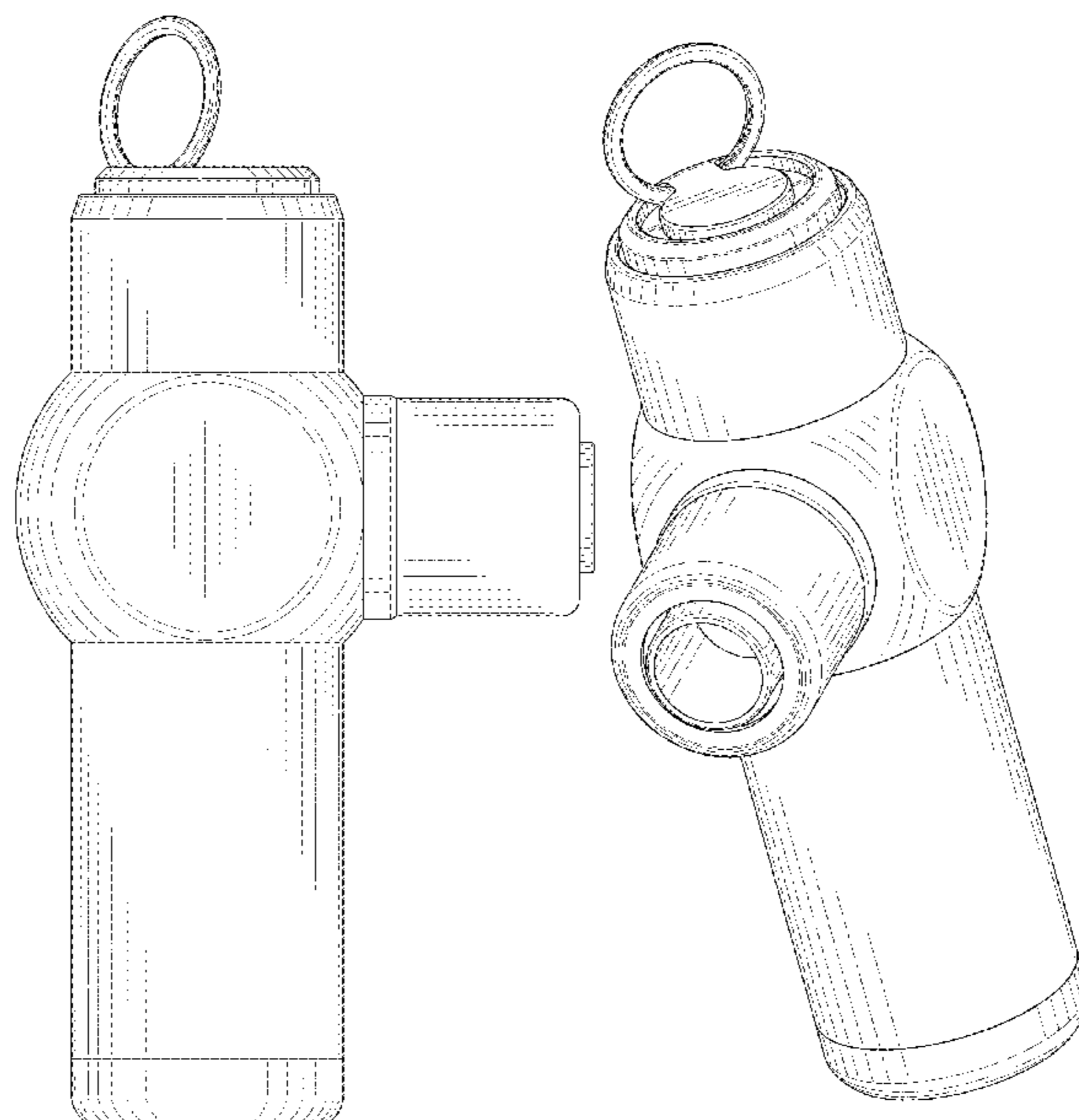
(57) **CLAIM**

The ornamental design for a massager, as shown and described.

**DESCRIPTION**

FIG. 1 is a front elevational view of a massager showing my new design;  
FIG. 2 is a rear elevational view thereof;  
FIG. 3 is a left sideview thereof;  
FIG. 4 is a right sideview thereof;  
FIG. 5 is a top planview thereof;  
FIG. 6 is a bottom plan view thereof; and,  
FIG. 7 is a perspective view thereof.  
The broken lines in the drawing depict portions of the massager that form no part of the claimed design.

**1 Claim, 7 Drawing Sheets**



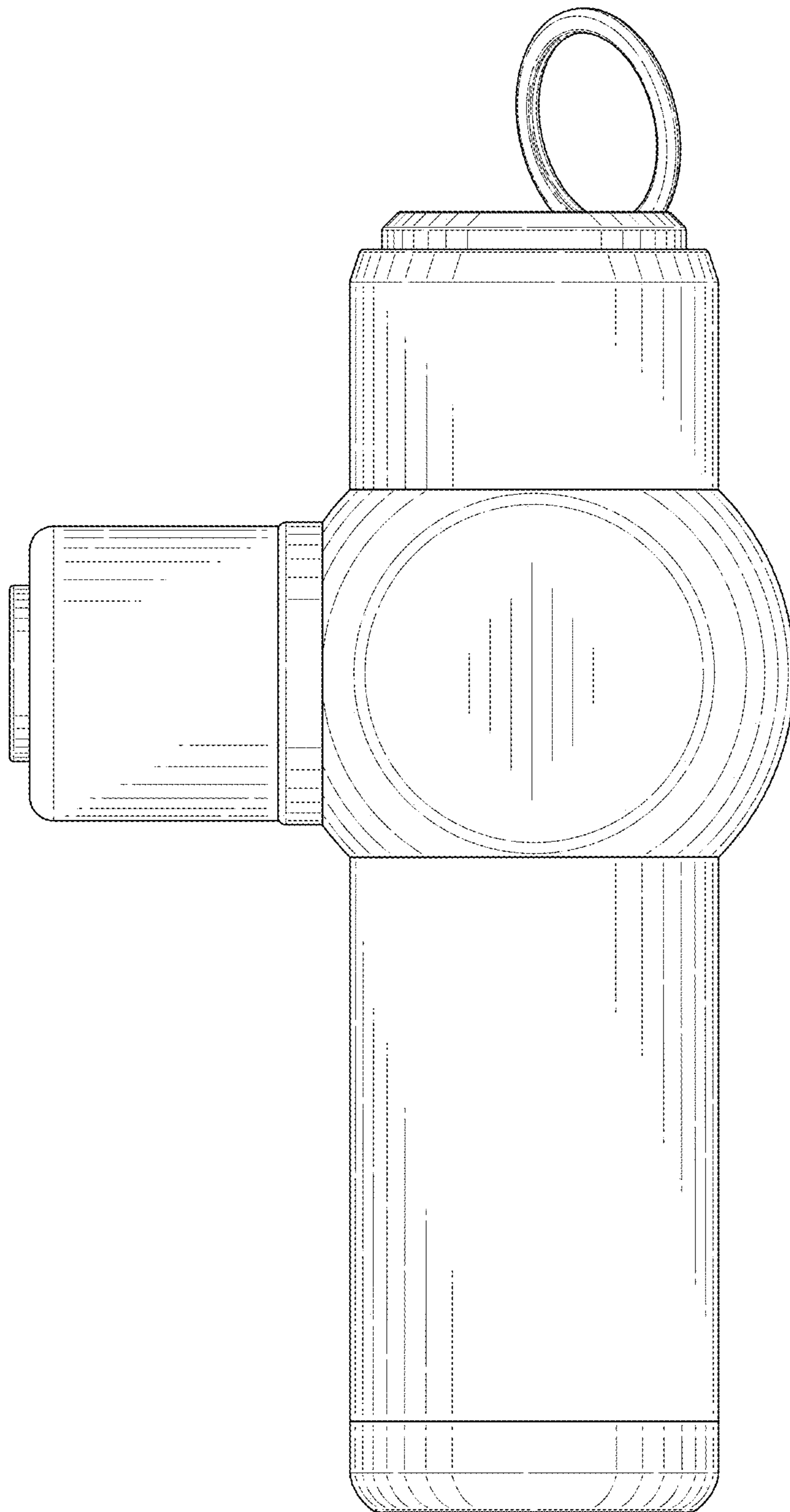


FIG. 1

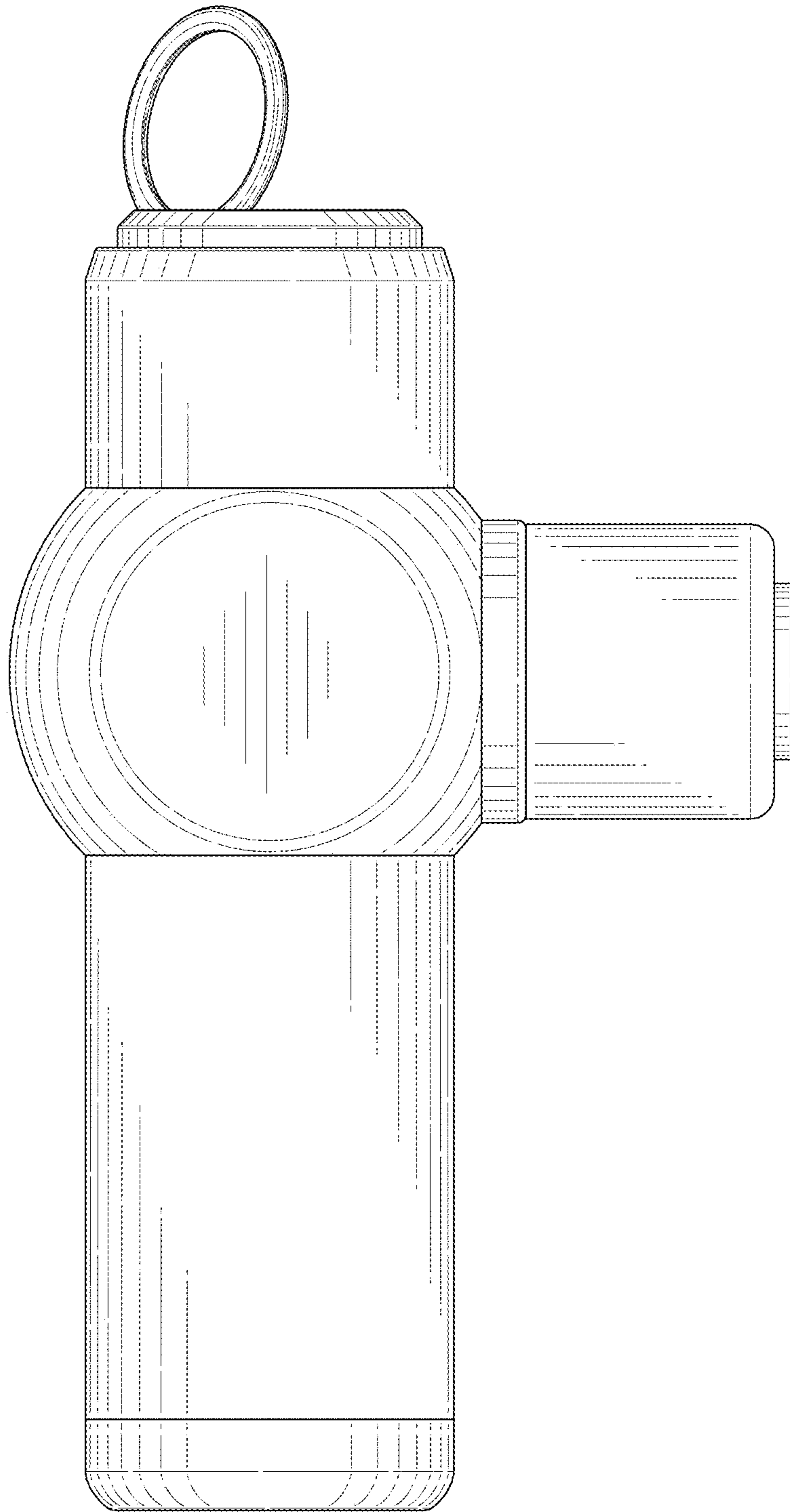


FIG. 2

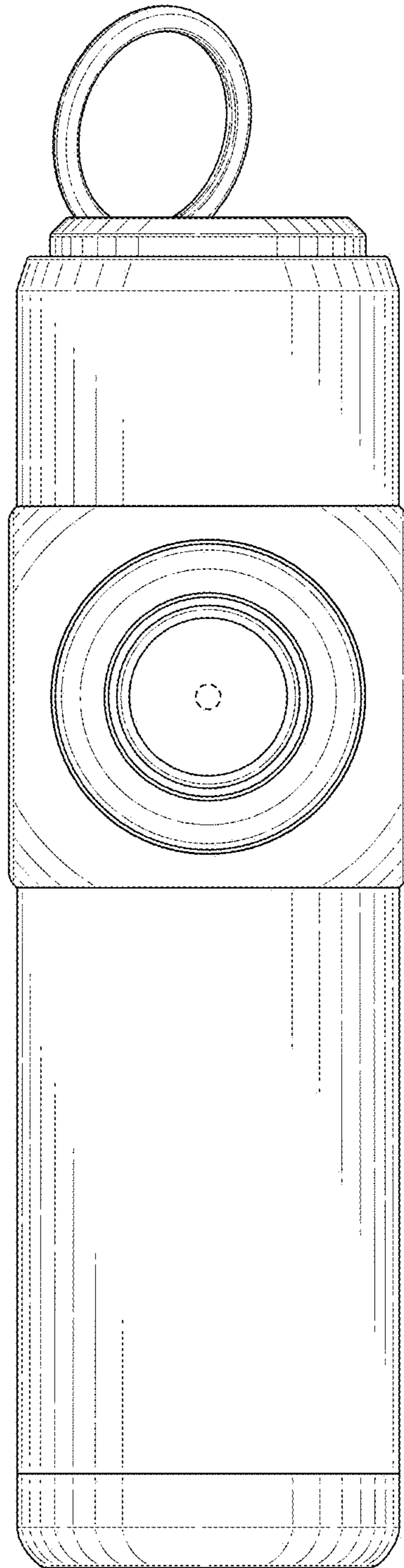


FIG. 3

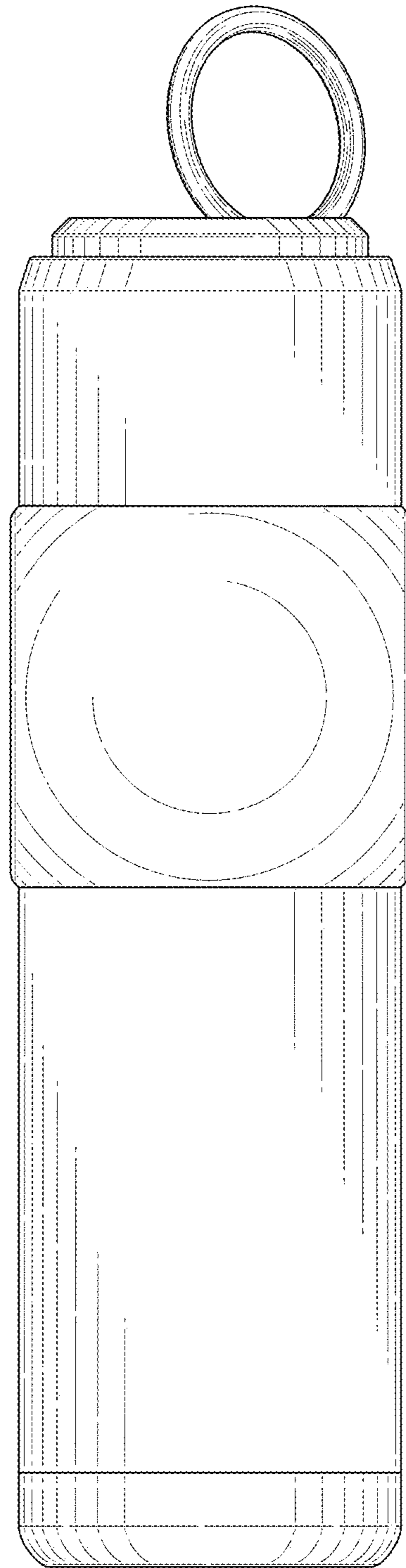


FIG. 4

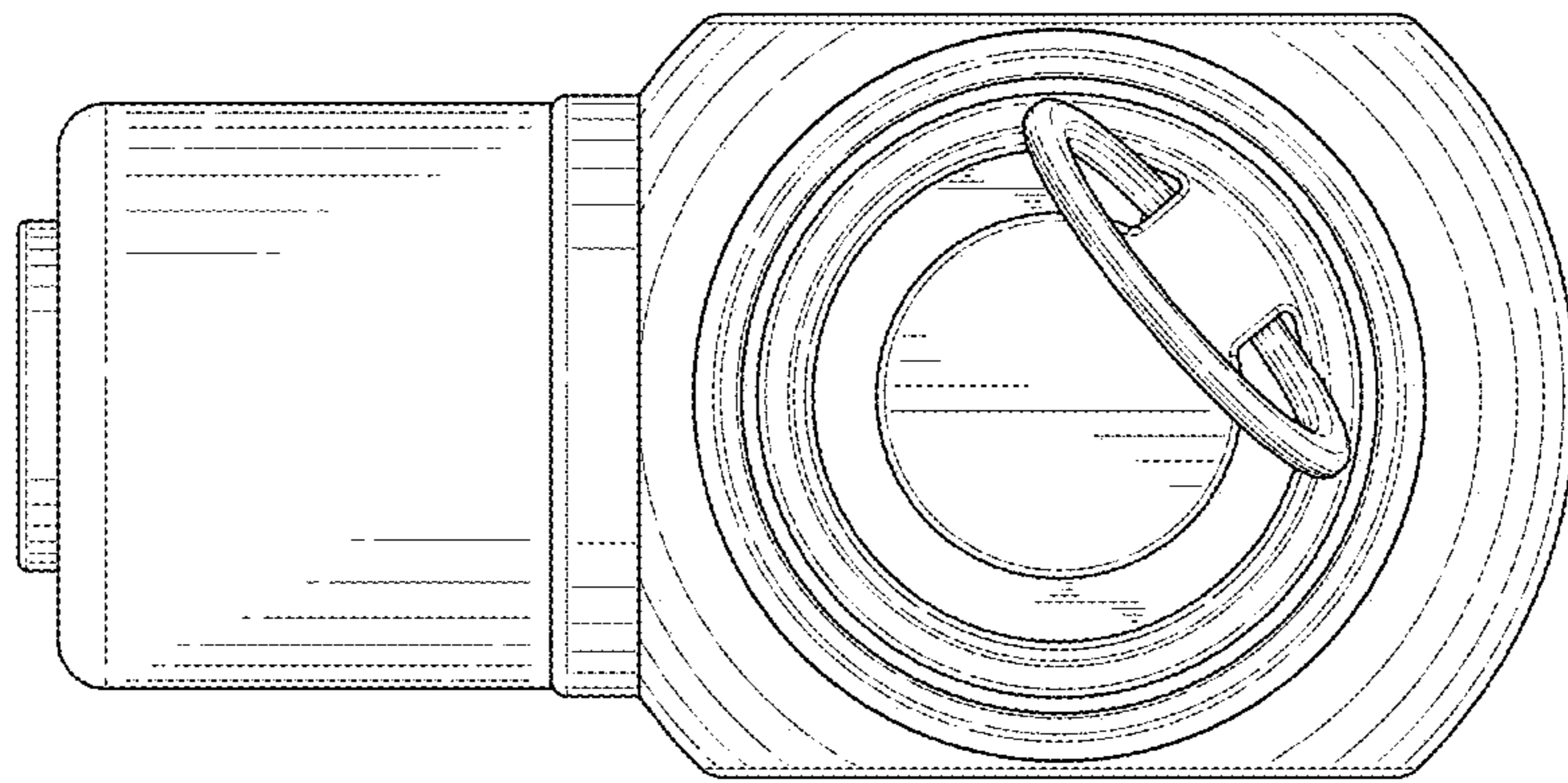


FIG. 5

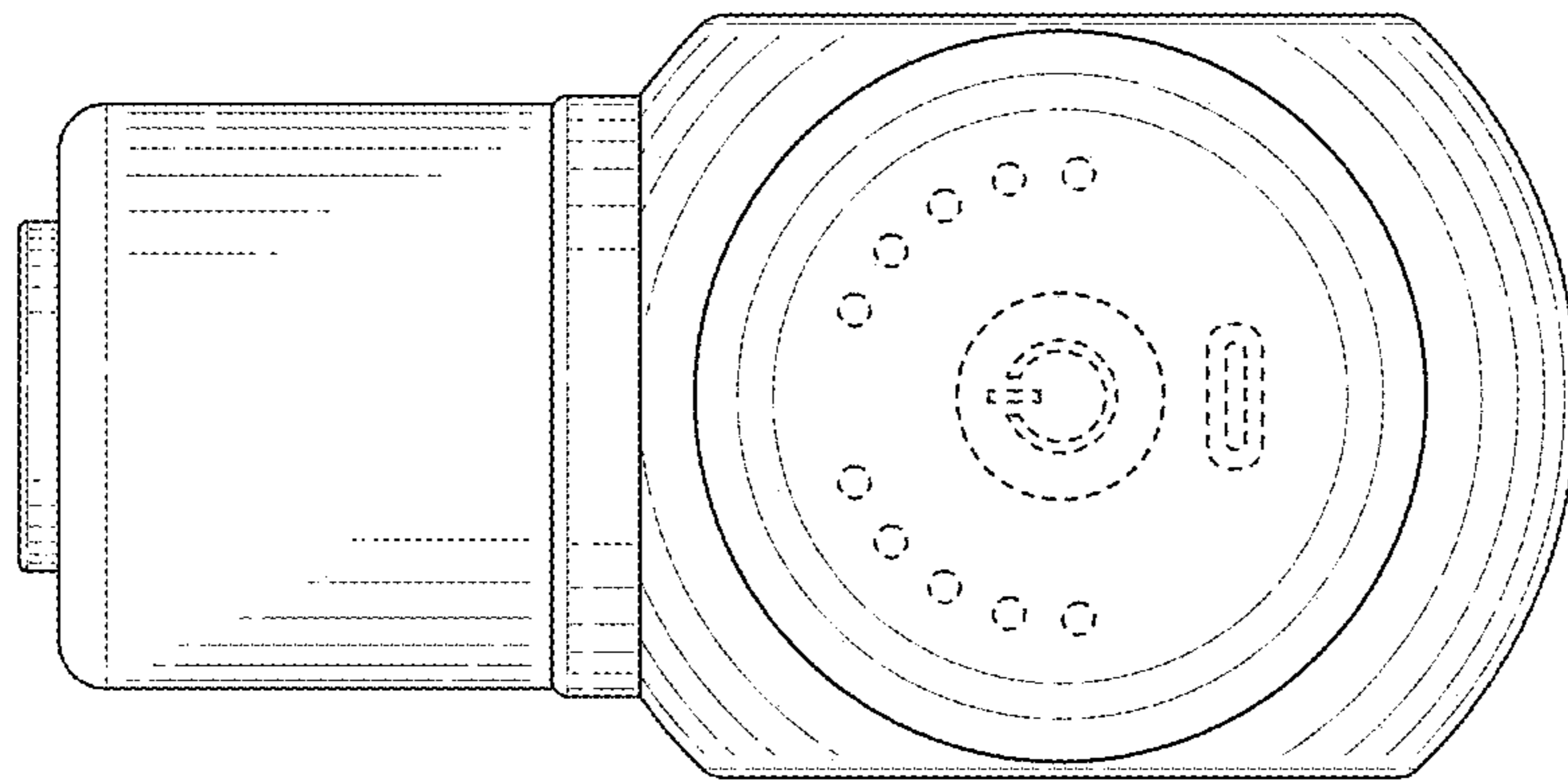


FIG. 6

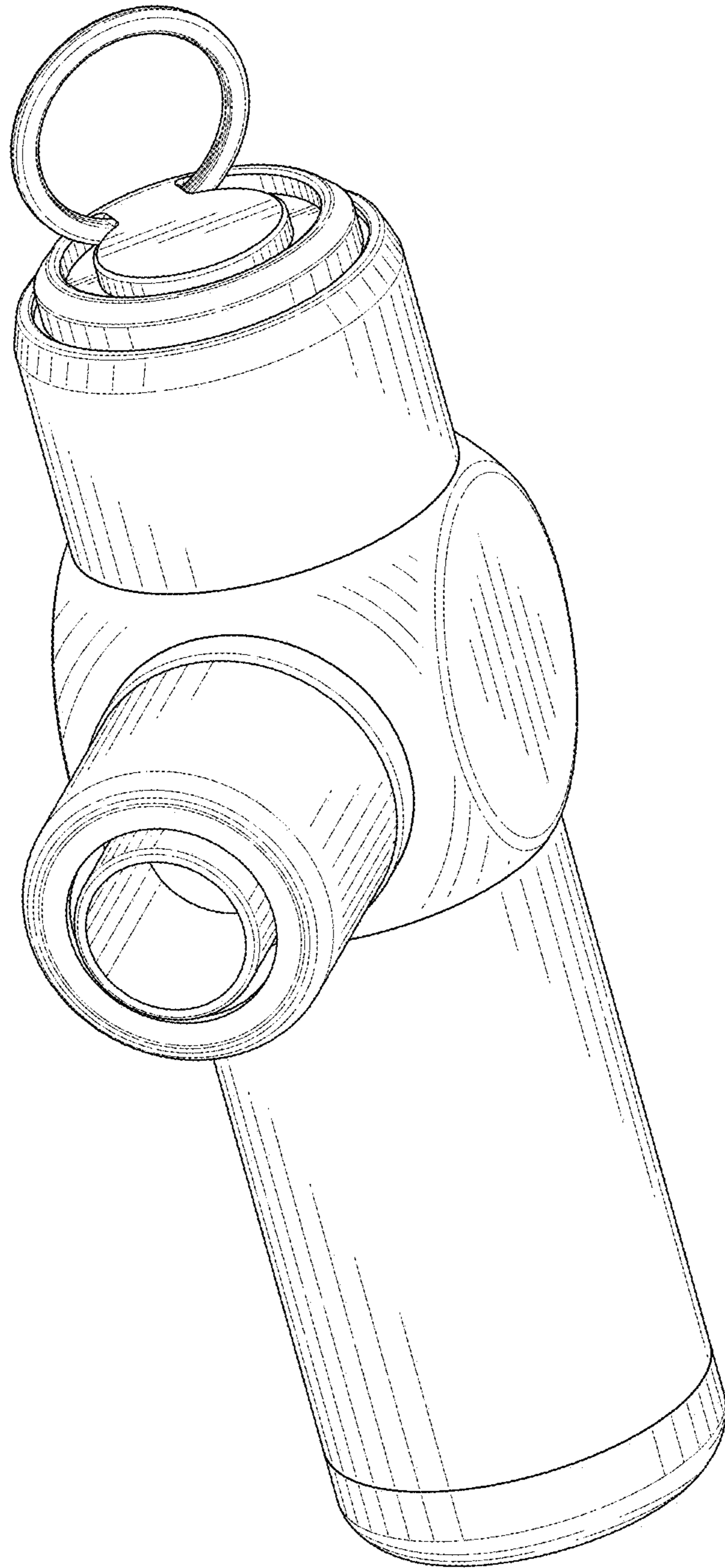


FIG. 7