



US00D963877S

(12) **United States Design Patent** (10) **Patent No.:** **US D963,877 S**
Luo (45) **Date of Patent:** **** Sep. 13, 2022**

(54) **FOOT MASSAGER**

(71) Applicant: **Xingyi Luo**, Anaheim, CA (US)

(72) Inventor: **Xingyi Luo**, Anaheim, CA (US)

(73) Assignee: **Nekteck, Inc**, Anaheim, CA (US)

(**) Term: **15 Years**

(21) Appl. No.: **29/778,722**

(22) Filed: **Apr. 14, 2021**

(51) **LOC (13) Cl.** **28-03**

(52) **U.S. Cl.**
USPC **D24/213**

(58) **Field of Classification Search**

USPC D24/215, 200, 211, 212, 213, 214, 133,
D24/107, 231, 184, 188

CPC .. A61H 1/00; A61H 15/00; A61H 2015/0007;
A61H 2015/0014; A61H 33/00; A61H
35/00; A61H 35/006; A61H 2205/12

See application file for complete search history.

(56) **References Cited**

U.S. PATENT DOCUMENTS

D371,850 S *	7/1996	Ediger	D24/213
D391,366 S *	2/1998	Prehodka	D24/212
D420,450 S *	2/2000	Anthony	D24/212
D432,242 S *	10/2000	Lie	D24/212
D473,316 S *	4/2003	Chou	D24/213
D478,670 S *	8/2003	Tsai	D24/212
D523,560 S *	6/2006	Tsai	D24/212
D524,947 S	7/2006	Gleason		
D541,944 S *	5/2007	Chang	D24/213
D542,927 S *	5/2007	Harris	D24/212
D630,336 S *	1/2011	Park	D24/213
D701,612 S *	3/2014	Robinson	D24/213
D713,969 S *	9/2014	Robinson	D24/200
D846,752 S	4/2019	Zhou		
D848,623 S *	5/2019	Franche	D24/188

OTHER PUBLICATIONS

Nekteck—Foot Massager with Heat. Date: Feb. 12, 2017. [online]. [Site visited Jan. 14, 2022]. Available from Internet URL: <https://www.amazon.com/dp/B06WGP2CVL/> (Year: 2017).*

LifePro Vibration Plate Exercise Machine. Date: Jan. 12, 2019. [online]. [Site visited Jan. 14, 2022]. Available from Internet URL: <https://www.amazon.com/dp/B0794BXVY4/> (Year: 2019).*

EMER Foot Massager Machine. Date: Oct. 12, 2020. [online]. [Site visited Jan. 21, 2022]. Available from Internet URL: <https://www.amazon.com/dp/B08L36GH2J/> (Year: 2020).*

Foot Massagers. (Design—© Questel) orbit.com. [Online PDF compilation of references] 43 pgs. Print Dates Range Nov. 30, 2016-Mar. 5, 2021 [Retrieved Jan. 24, 2022] <https://www.orbit.com/export/UCZAH96B/pdf4/5f08bd0b-1b3d-4540-9237-3c2c081d0c8a-183923.pdf> (Year: 2022).*

* cited by examiner

Primary Examiner — Susan Bennett Hattan

Assistant Examiner — Landon Thomas Cassell

(57) **CLAIM**

The ornamental design for a foot massager, as shown and described.

DESCRIPTION

FIG. 1 is a front, right and top perspective view of a foot massager showing my new design;

FIG. 2 is a rear, left and bottom perspective view thereof;

FIG. 3 is a front view thereof;

FIG. 4 is a rear view thereof;

FIG. 5 is a left view thereof;

FIG. 6 is a right view thereof;

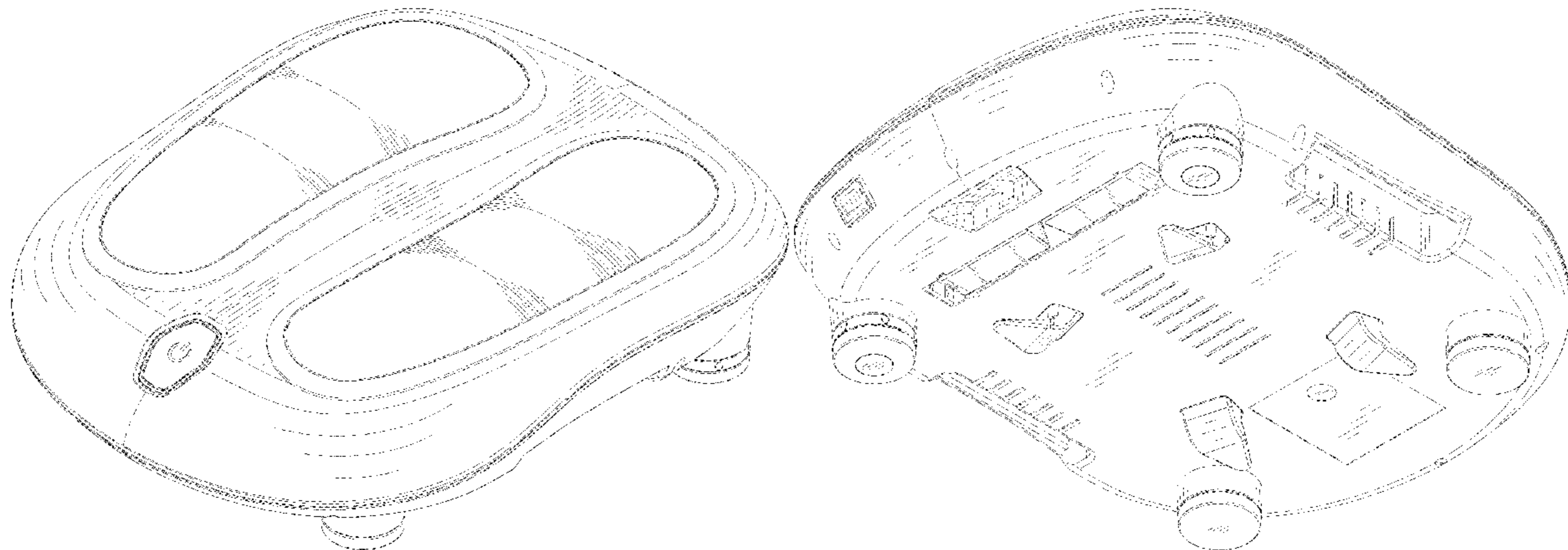
FIG. 7 is a top view thereof;

FIG. 8 is a bottom view thereof; and,

FIG. 9 is a rear, left and bottom perspective view showing in a configuration of use.

The broken lines in the drawings illustrate portions of the foot massager, which form no part of the claimed design.

1 Claim, 9 Drawing Sheets



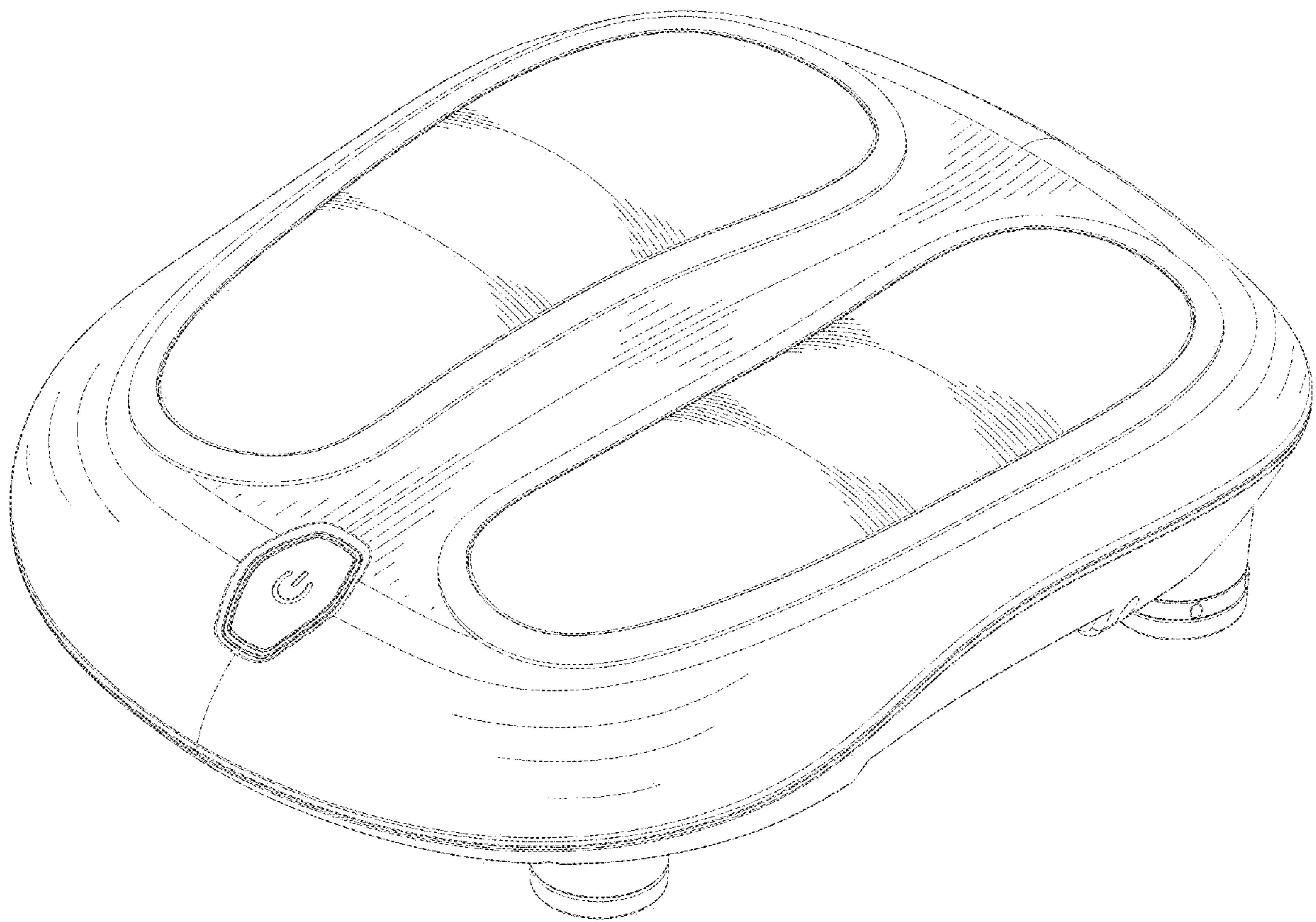


FIG. 1

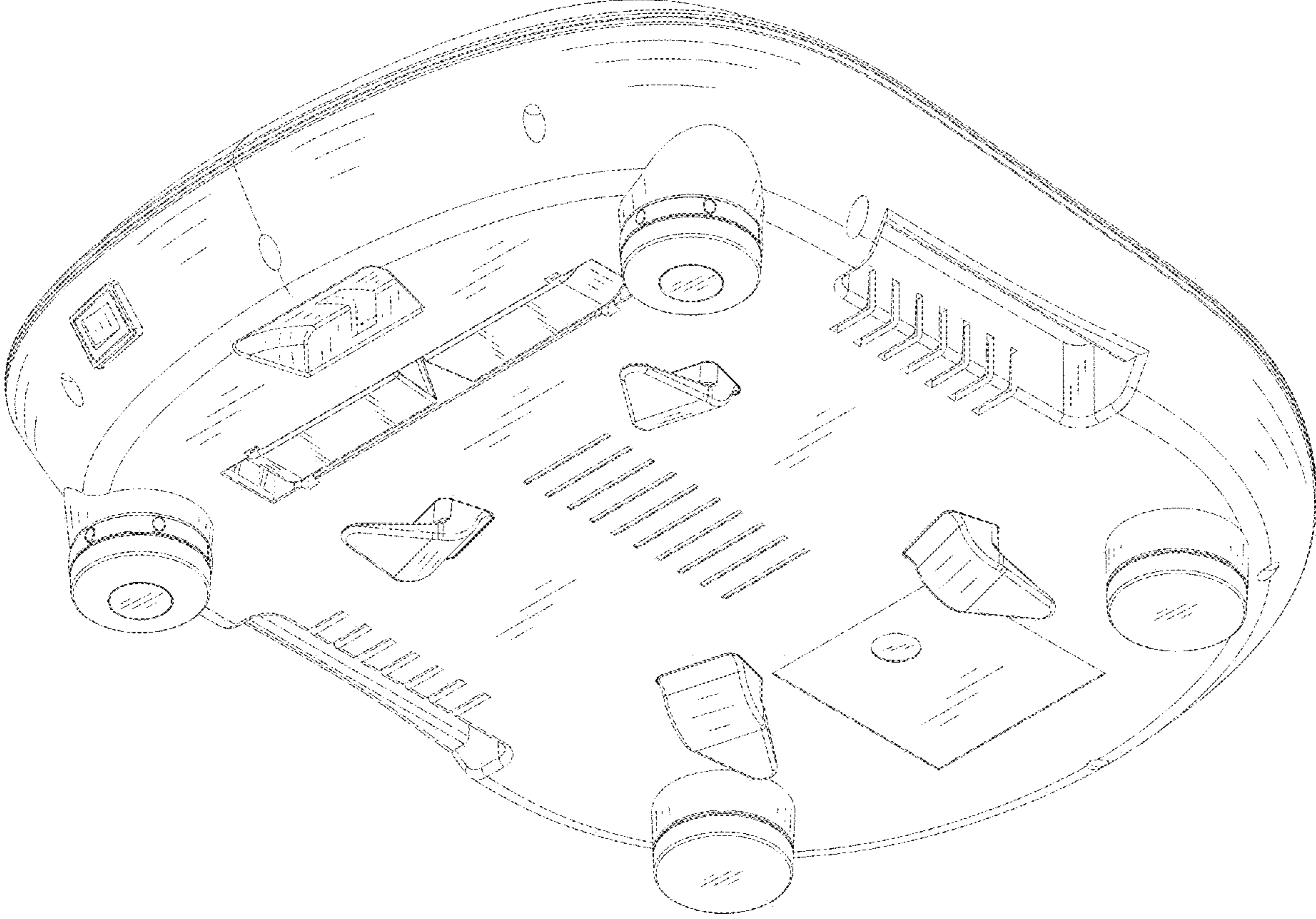


FIG. 2

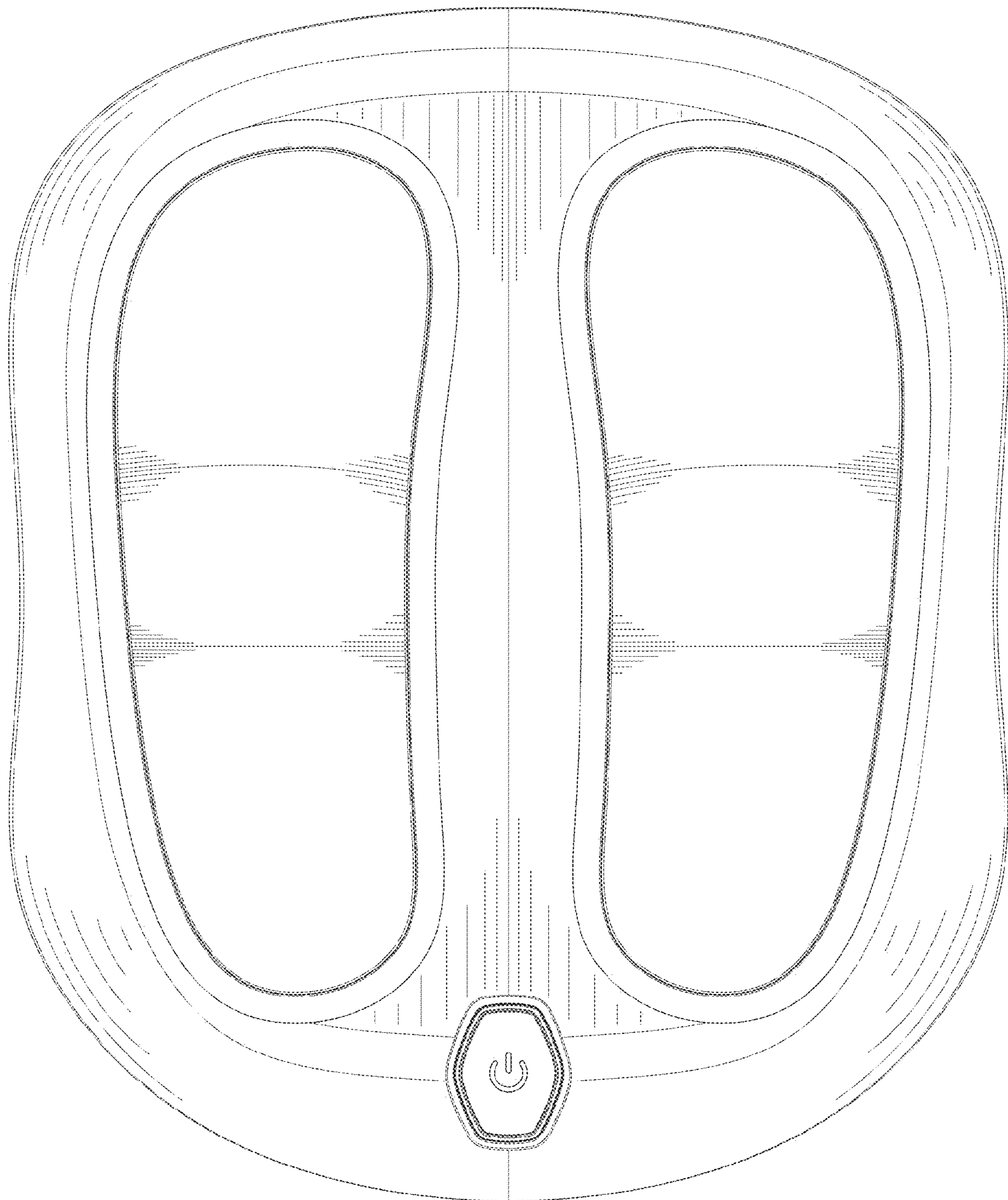


FIG. 3

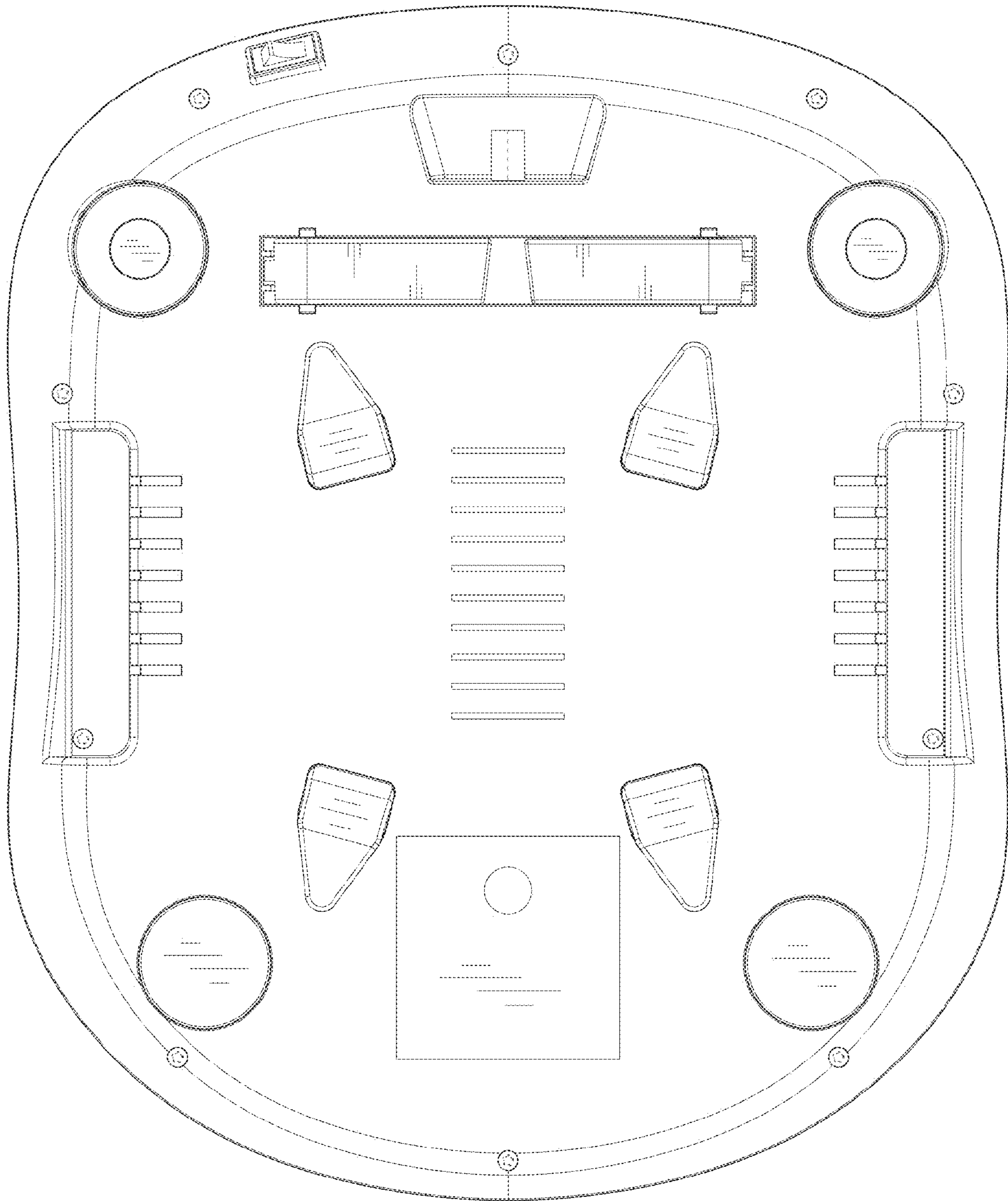


FIG. 4

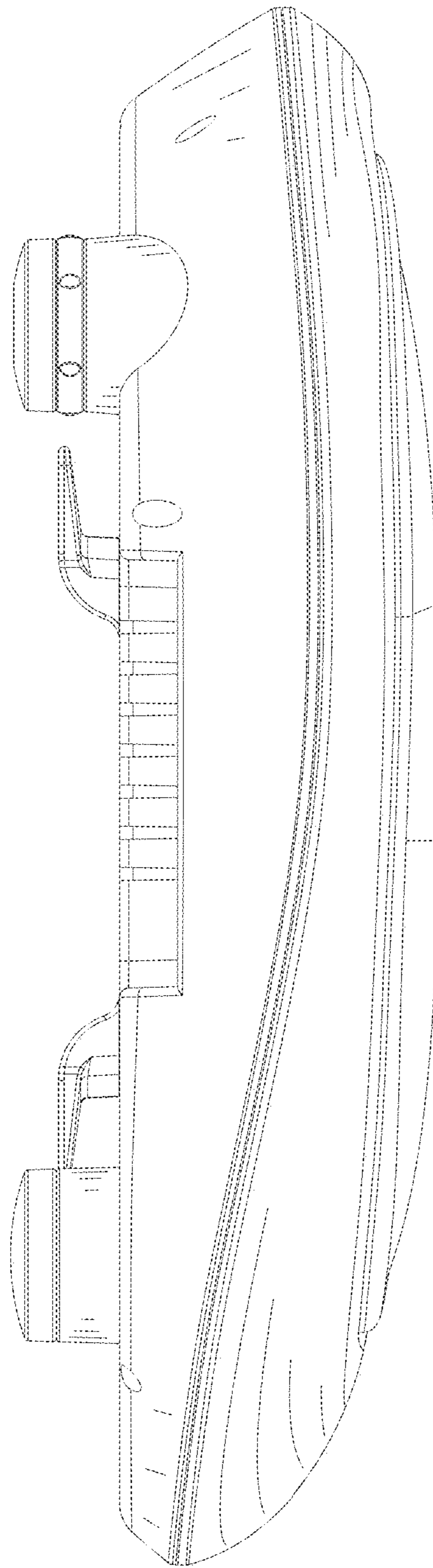


FIG. 5

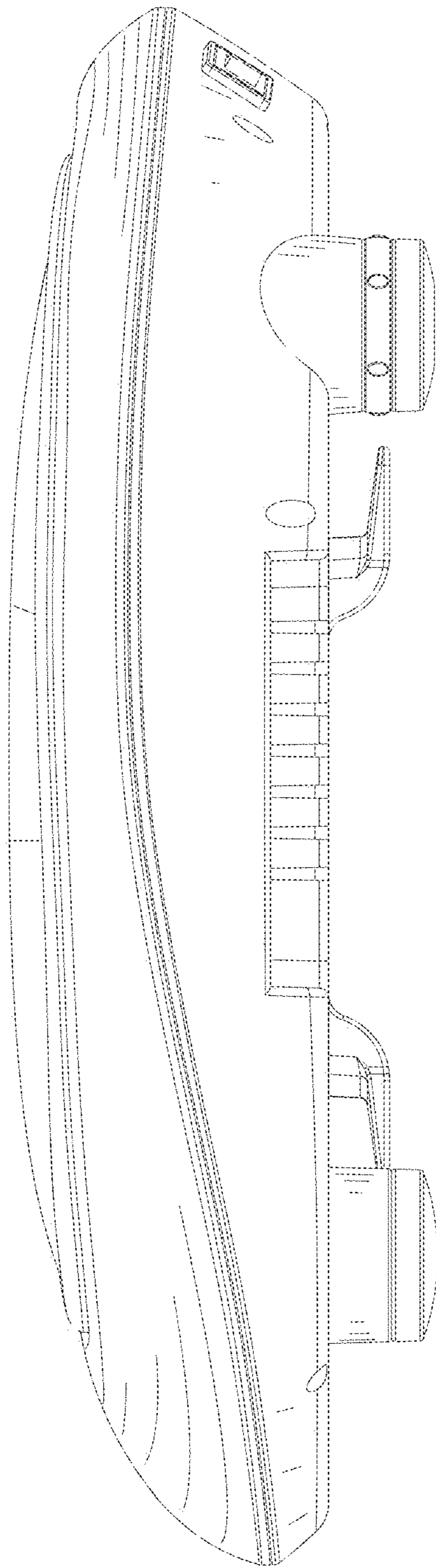


FIG. 6

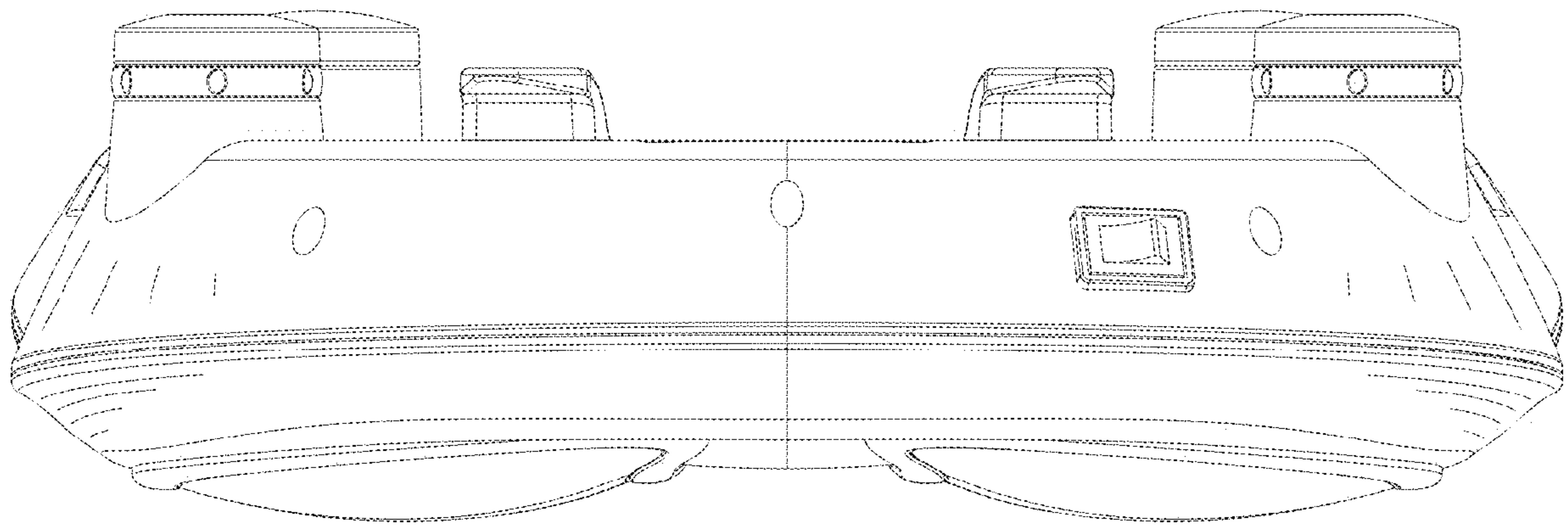


FIG. 7

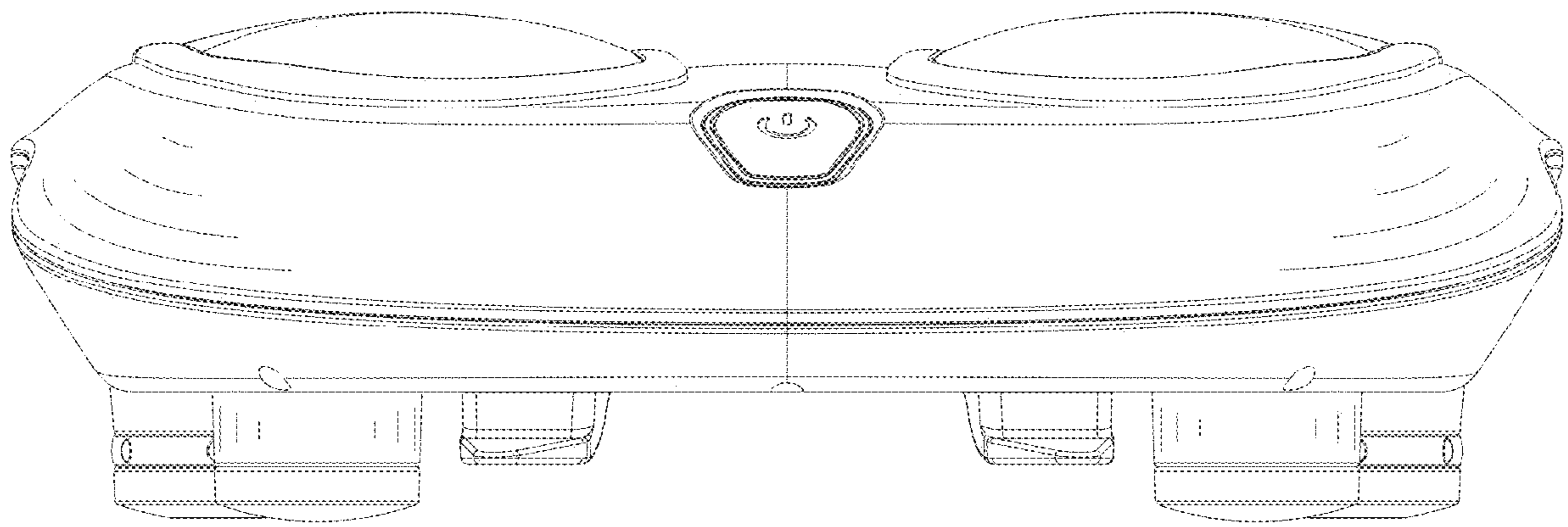


FIG. 8

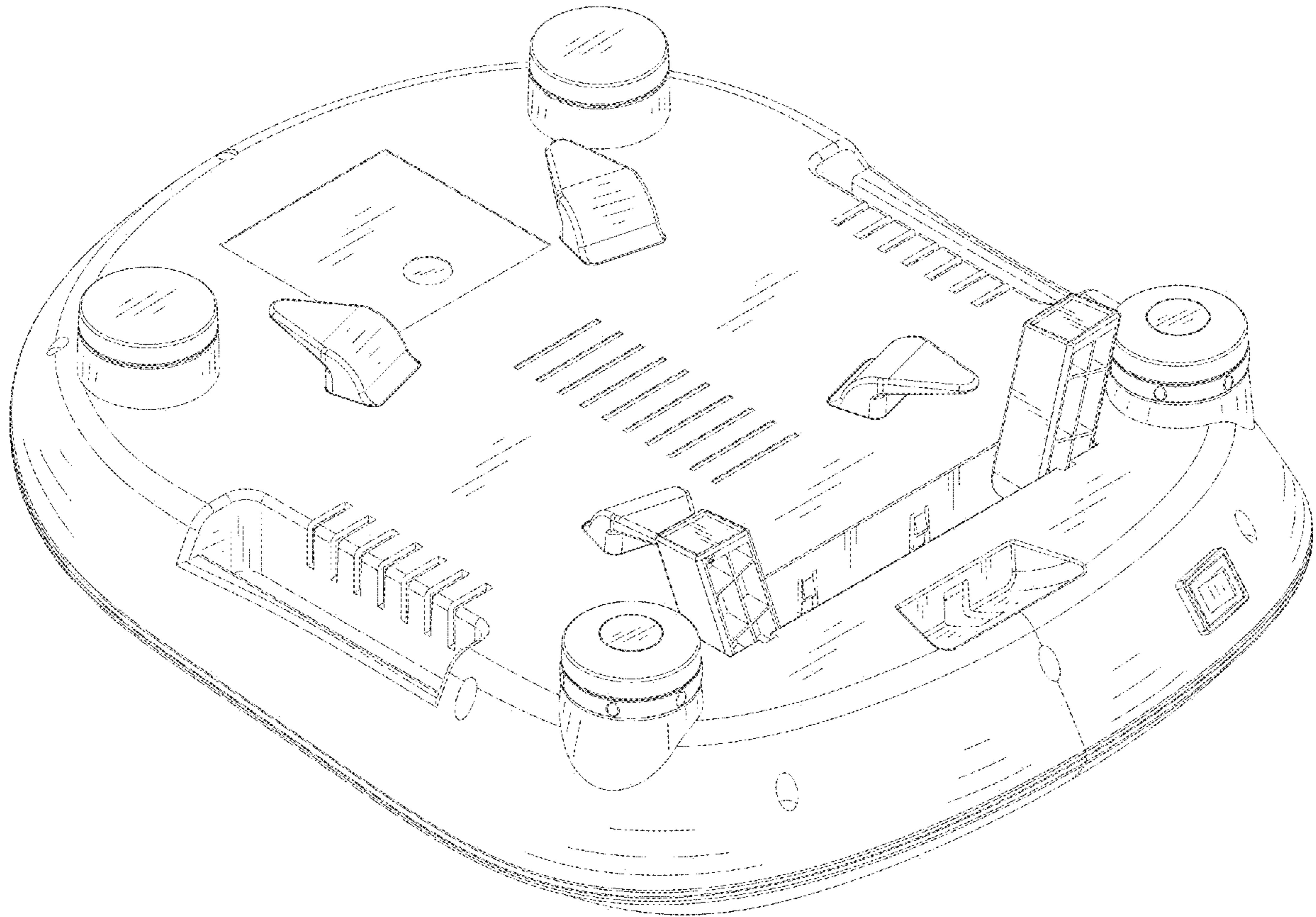


FIG. 9