



US00D963873S

(12) **United States Design Patent**
Pfiffner

(10) **Patent No.:** **US D963,873 S**
(45) **Date of Patent:** **** Sep. 13, 2022**

(54) **FLOOR STAND FOR A
PHOTOBIO-MODULATION THERAPY
DEVICE**

- (71) Applicant: **Joovv, Inc.**, San Clemente, CA (US)
- (72) Inventor: **Greg Pfiffner**, San Clemente, CA (US)
- (73) Assignee: **Joovv, Inc.**, San Clemente, CA (US)
- (**) Term: **15 Years**
- (21) Appl. No.: **29/778,907**
- (22) Filed: **Apr. 15, 2021**

Related U.S. Application Data

- (63) Continuation of application No. 17/027,338, filed on Sep. 21, 2020, now Pat. No. 11,207,543.
- (51) **LOC (13) Cl.** **28-03**
- (52) **U.S. Cl.**
USPC **D24/210**
- (58) **Field of Classification Search**
USPC D24/200, 209, 210, 214, 215; D26/93, D26/24, 106, 142; D6/310, 332, 708.17
CPC A61N 5/0616; A61N 5/0618; A61N 2005/0644; A61N 2005/0636; A61N 2005/0626; A61N 2005/0627; A61N 2005/0652; A61N 2005/0654; A61N 2005/0642; A61B 2018/1807
See application file for complete search history.

(56) **References Cited**

U.S. PATENT DOCUMENTS

845,917 A	3/1907	Worley
1,660,794 A	2/1928	Walter
2,327,346 A	8/1960	Frank
3,416,852 A	12/1968	Rice

(Continued)

OTHER PUBLICATIONS

Kind LED Grow Lights, "Kind LED Grow Lights K5 Series Instructions"—Downloaded on Oct. 1, 2018—Available from Internet: <URL: <https://www.kindledgrowlights.com/pages/k5-setup>>.

(Continued)

Primary Examiner — Anhdao Doan

(74) *Attorney, Agent, or Firm* — Gallium Law; Wesley Schwie, Esq.; Isabel Fox

(57) **CLAIM**

The ornamental design for a floor stand for a photobiomodulation therapy device, as shown and described.

DESCRIPTION

FIG. 1 is a front, first side, and top perspective view of a floor stand for a photobiomodulation therapy device embodying the new design;

FIG. 2 is a back, second side, and top perspective view thereof;

FIG. 3 is a front view thereof;

FIG. 4 is a back view thereof;

FIG. 5 is a first side view thereof;

FIG. 6 is a second side view thereof;

FIG. 7 is a top view thereof;

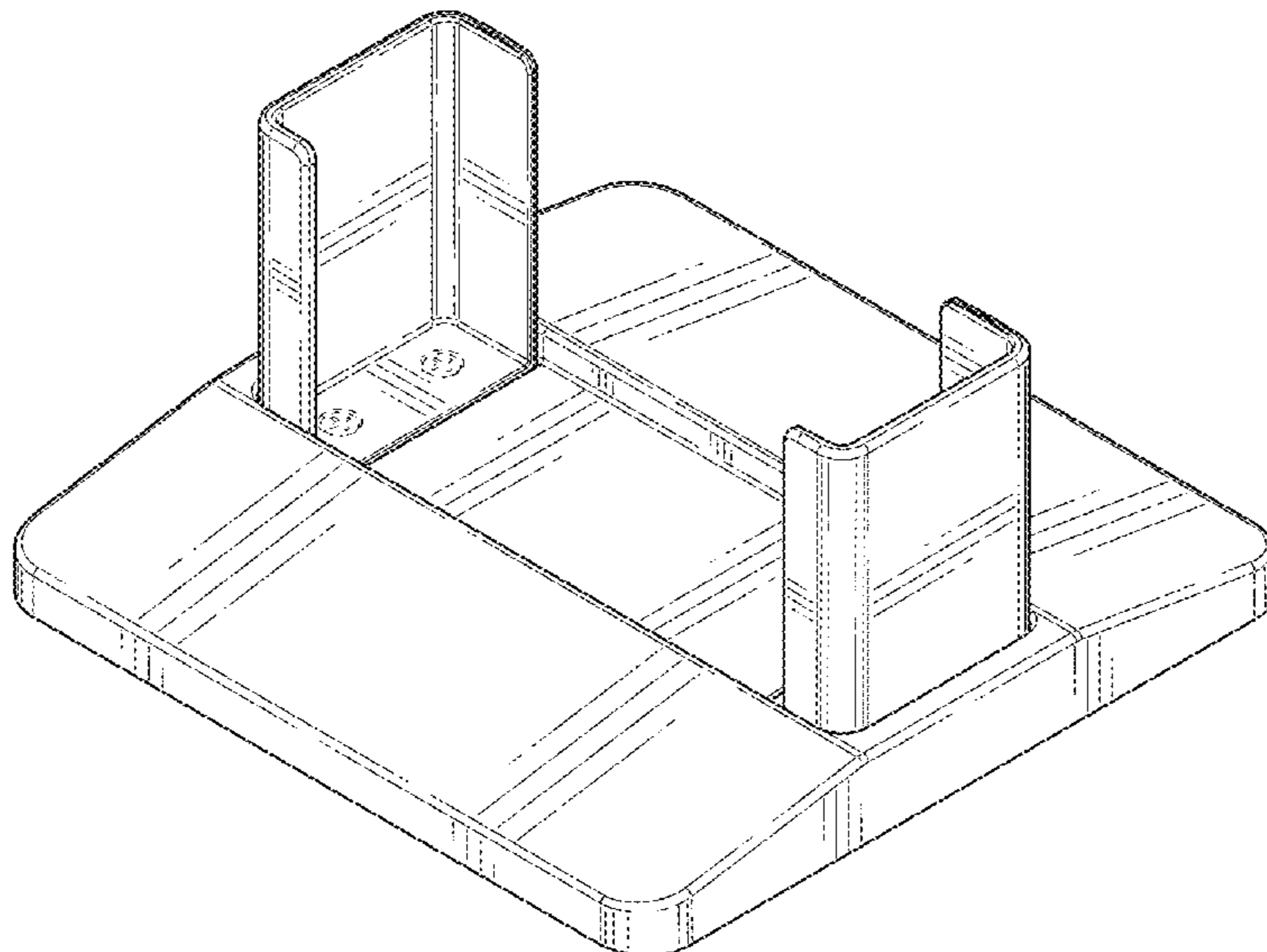
FIG. 8 is a bottom view thereof;

FIG. 9 is a front, first side, and top perspective view thereof including a photobiomodulation therapy device coupled to the floor stand for a photobiomodulation therapy device; and,

FIG. 10 is a back, second side, and top perspective view thereof.

The broken lines in FIGS. 1-8 depict portions of the floor stand for a photobiomodulation therapy device that form no part of the claimed design; and the broken lines showing the photobiomodulation therapy device in FIGS. 9 and 10 represent environmental structure and form no part of the claimed design.

1 Claim, 10 Drawing Sheets



(56)

References Cited

U.S. PATENT DOCUMENTS

D247,756 S 4/1978 Nagelkerke
 4,312,361 A 1/1982 Nicholson
 5,616,140 A 4/1997 Prescott
 5,698,866 A 12/1997 Doiron
 D402,763 S 12/1998 Bring
 6,290,713 B1 9/2001 Russell
 6,508,262 B1 1/2003 Takayama
 6,626,932 B2 9/2003 Whitehurst
 D517,699 S 3/2006 Lansohn
 D599,485 S 9/2009 Burrows
 D604,888 S * 11/2009 Swanson D26/93
 D679,440 S 4/2013 Smith
 D695,412 S 12/2013 Chen
 D704,851 S 5/2014 Douglas
 D713,970 S 9/2014 Olofsson
 9,227,082 B2 1/2016 Mcdaniel
 D760,913 S 7/2016 Douglas
 D762,870 S 8/2016 Singh
 D774,658 S * 12/2016 Andersen D26/110
 9,884,204 B1 2/2018 Dolleris
 D830,565 S 10/2018 Xu
 D848,046 S 5/2019 Zhuo
 10,357,567 B1 7/2019 Lundahl
 D857,273 S 8/2019 Zou
 D860,501 S 9/2019 Heiner
 D861,232 S 9/2019 Mcclow
 D861,971 S 10/2019 Duckworth
 D864,455 S 10/2019 Sullivan
 10,478,635 B1 11/2019 Nelson
 D877,923 S * 3/2020 Strahan D24/210
 D892,346 S * 8/2020 Sykes D24/209
 D895,822 S * 9/2020 Nelson D24/209
 11,207,543 B2 * 12/2021 Pfiffner A61N 5/06
 2004/0260365 A1 12/2004 Groseth
 2005/0085875 A1 4/2005 Zuylen
 2005/0230573 A1 10/2005 Ligertwood
 2006/0030908 A1 2/2006 Powell
 2006/0229689 A1 10/2006 Ferguson
 2007/0038206 A1 2/2007 Altshuler
 2007/0129777 A1 6/2007 Bolta
 2008/0119831 A1 5/2008 Myeong
 2008/0210659 A1 9/2008 Mckinney
 2009/0058153 A1 3/2009 Shafer
 2010/0324611 A1 12/2010 Deming
 2011/0054573 A1 3/2011 Mitchell
 2012/0104977 A1 5/2012 Mckenzie

2012/0265275 A1* 10/2012 Kiremitci A61N 5/0613
 607/90
 2013/0282082 A1 10/2013 Daijo
 2013/0304164 A1 11/2013 Zanata
 2014/0049942 A1 2/2014 Chilton
 2014/0303547 A1 10/2014 Loupis
 2015/0051671 A1 2/2015 Browne
 2016/0015999 A1 1/2016 Dabney
 2016/0100536 A1 4/2016 Wu
 2016/0106950 A1 4/2016 Vasapollo
 2016/0286616 A1 9/2016 Van De Ven
 2017/0216616 A1 8/2017 Boyajian
 2017/0274222 A1 9/2017 Geyer
 2018/0036553 A1 2/2018 Shiibashi
 2018/0236259 A1 8/2018 Nelson
 2019/0216927 A1 7/2019 Lundahl
 2019/0388707 A1 12/2019 Shenfarber
 2020/0060868 A1 2/2020 Sivan
 2020/0086135 A1 3/2020 Johnson
 2020/0121944 A1* 4/2020 Strahan A61N 5/0616
 2020/0324104 A1 10/2020 Labuschagne
 2020/0353273 A1 11/2020 Zucco
 2021/0001140 A1* 1/2021 Pfiffner A61N 5/06
 2021/0001141 A1* 1/2021 Pfiffner A61N 5/06
 2021/0236838 A1* 8/2021 Pfiffner A61N 5/06

OTHER PUBLICATIONS

Kind LED Grow Lights, "Kind LED Grow Lights—Voted Best LED Grow Lights of 2014!"—Published Oct. 24, 2014—Downloaded on Oct. 2, 2018—Available from Internet <URL: <https://www.youtube.com/watch?v=NQDWBXIMxrk>>.
 Kind LED Grow Lights, "K5 Series XL1000 Indoor LED Grow Light"—Downloaded on Oct. 4, 2018—Available from Internet: <URL: <https://www.kindledgrowlights.com/products/k5-xl1000>>.
 Swedish LED Grow Lights, "300W Full Spectrum Led Grow Lights 85-265V 5730SMD USA/DE/AU/CA Stock Hanging Kit For Plants Veg Hydroponics Grow Led"—Downloaded on Jun. 5, 2017—Available from Internet: <URL: <http://swedishledgrowlights.com/product/300w-full-spectrum-led-grow-lights-85-265v-5730smd-usa-de-au-ca-stock-hanging-kit-for-plants-veg-hydroponics-grow-led/>>.
 Warp Light, "About the Quantum Light WARP 10®"—Downloaded on Sep. 19, 2019—Available from Internet: <URL: https://www.warp-light.com/Quantum_light_warp_10.html>; Publication at least as of Nov. 30, 2012.

* cited by examiner

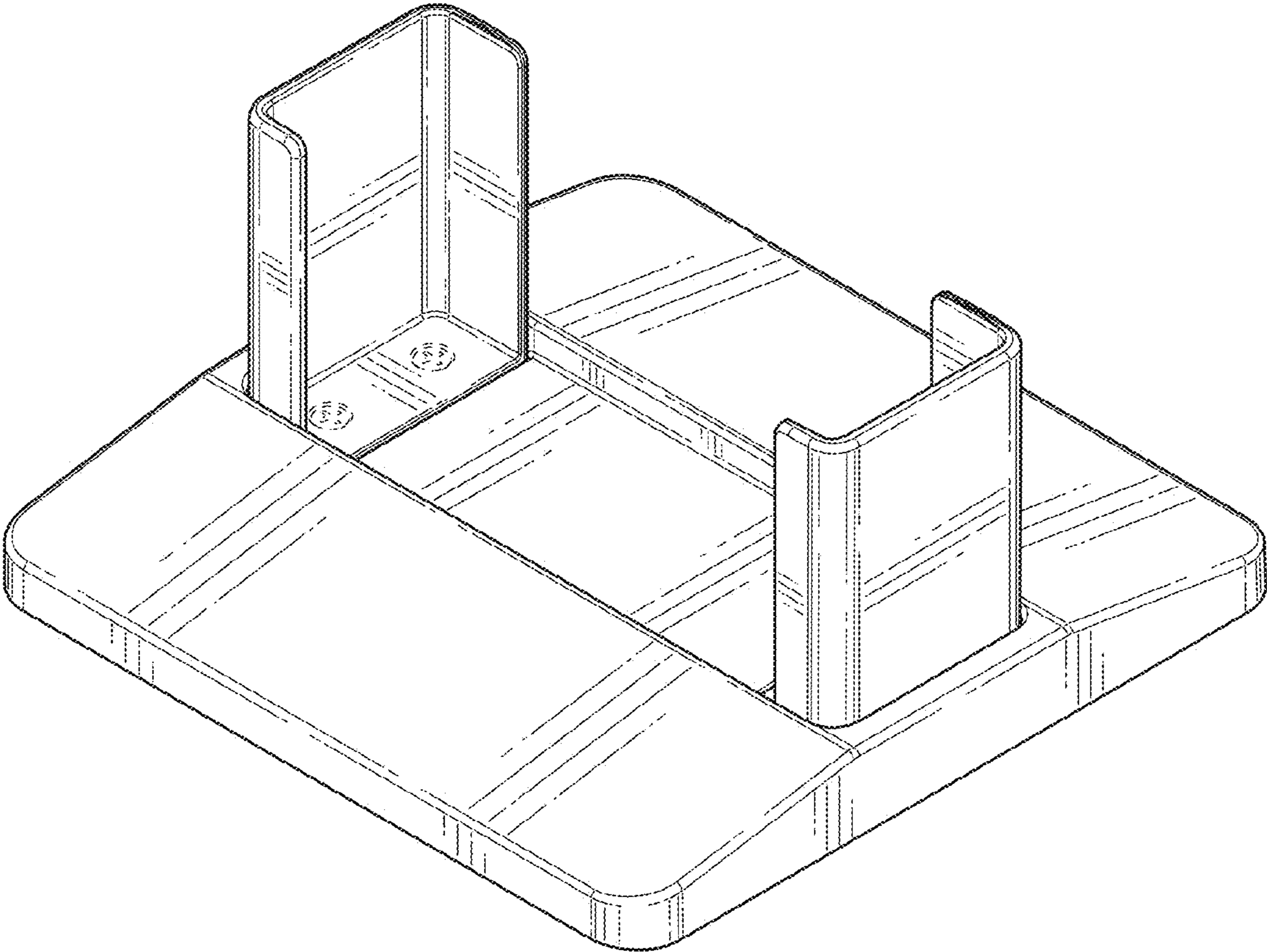


FIG. 1

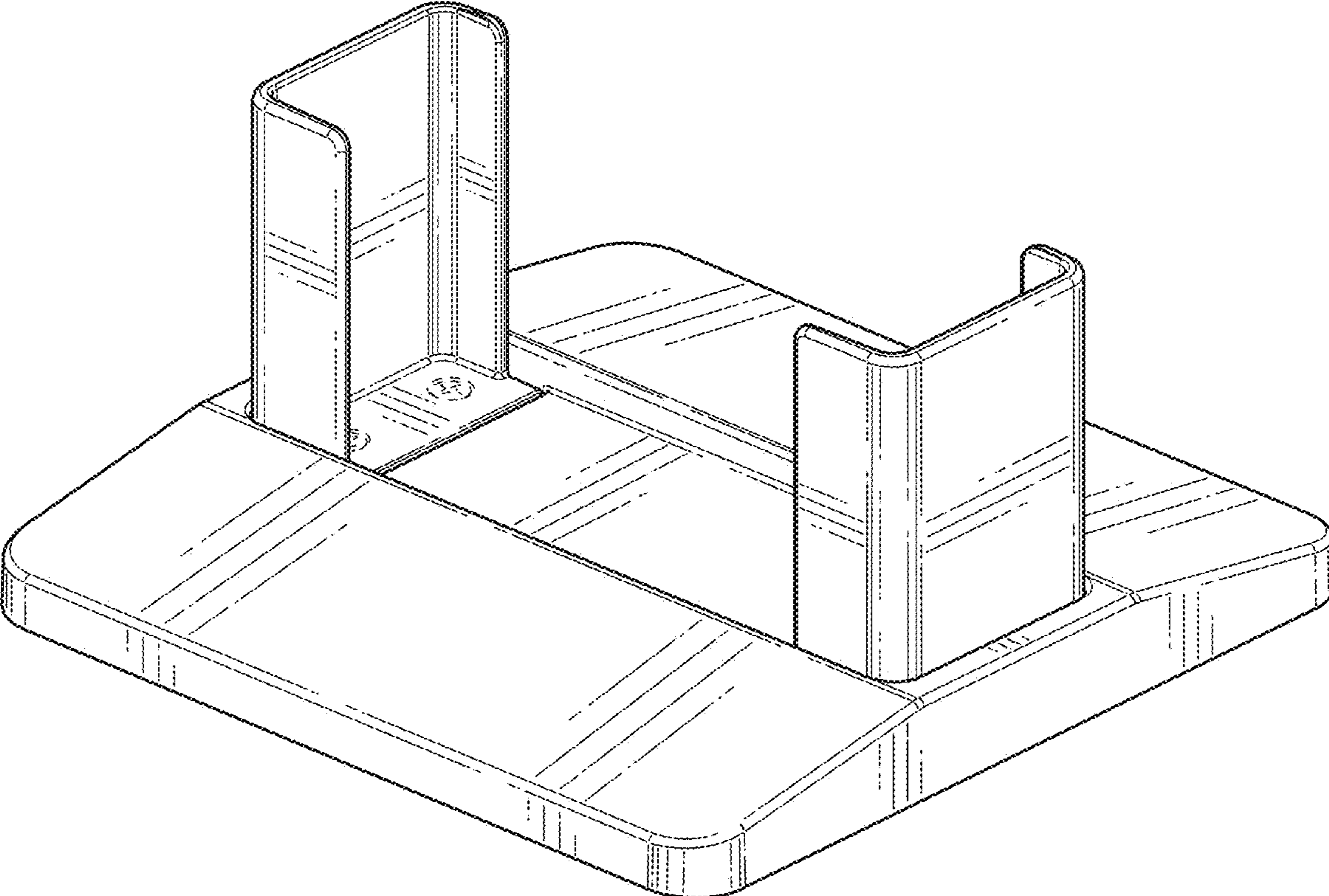


FIG. 2

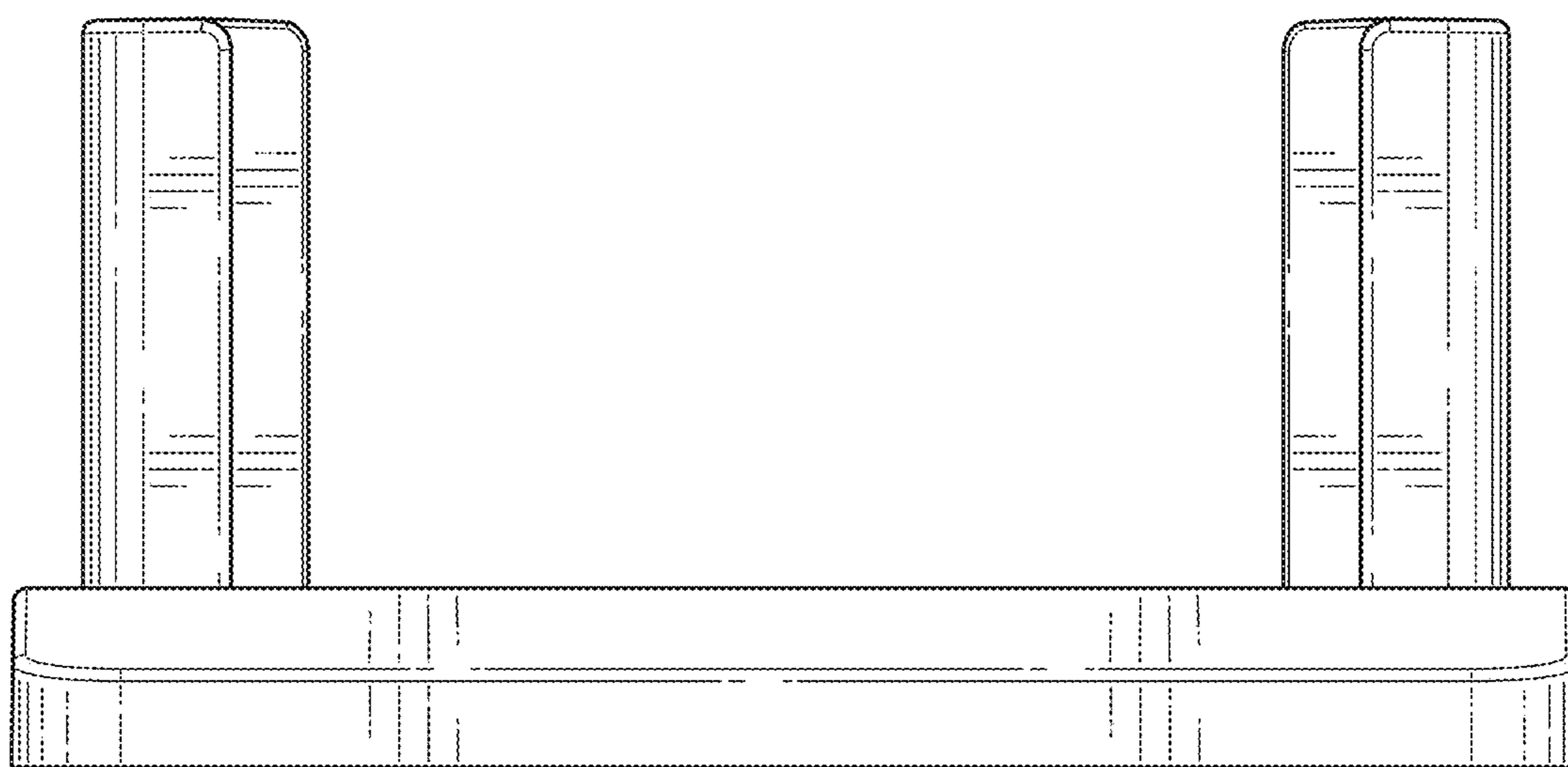


FIG. 3

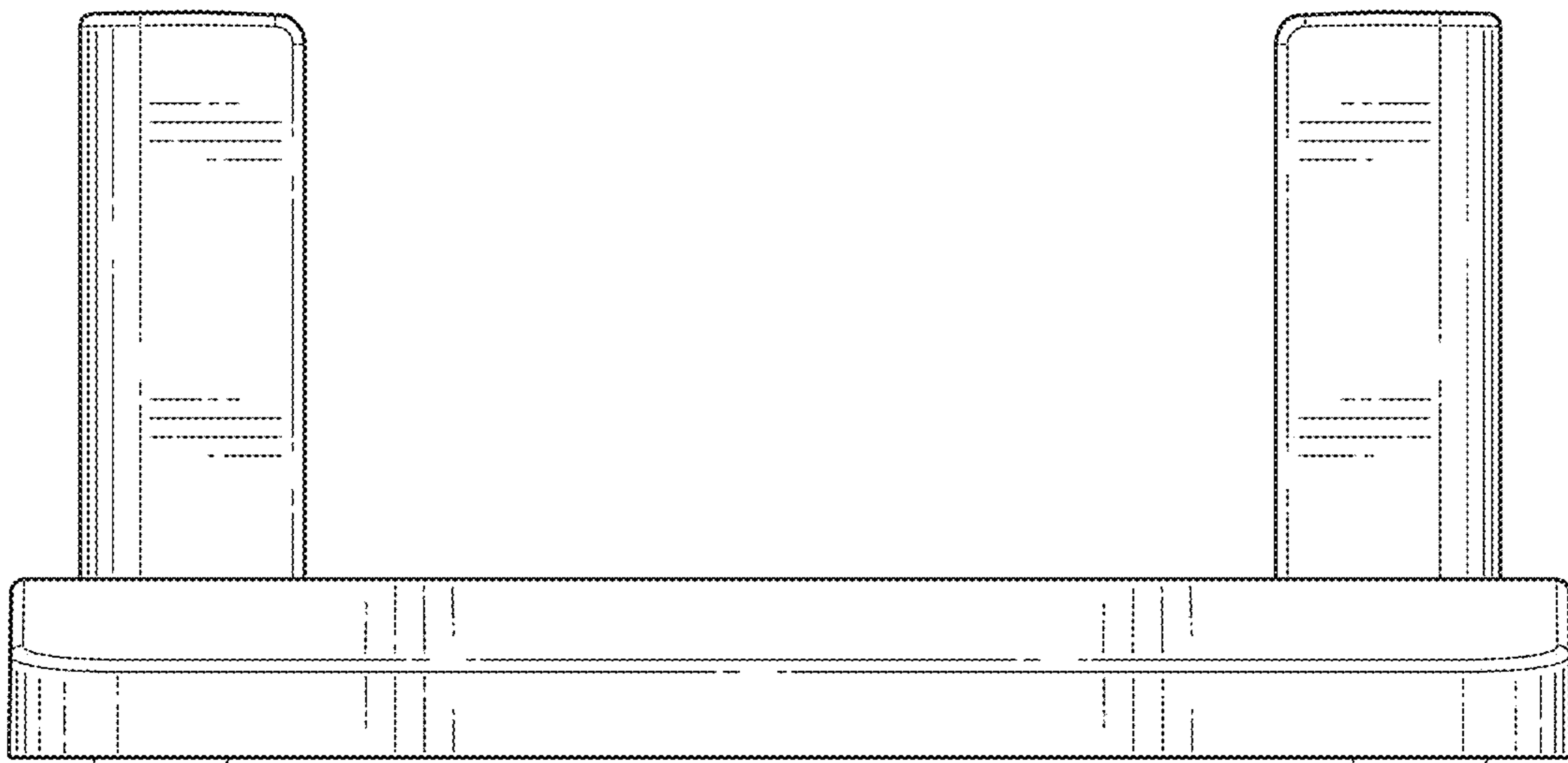


FIG. 4

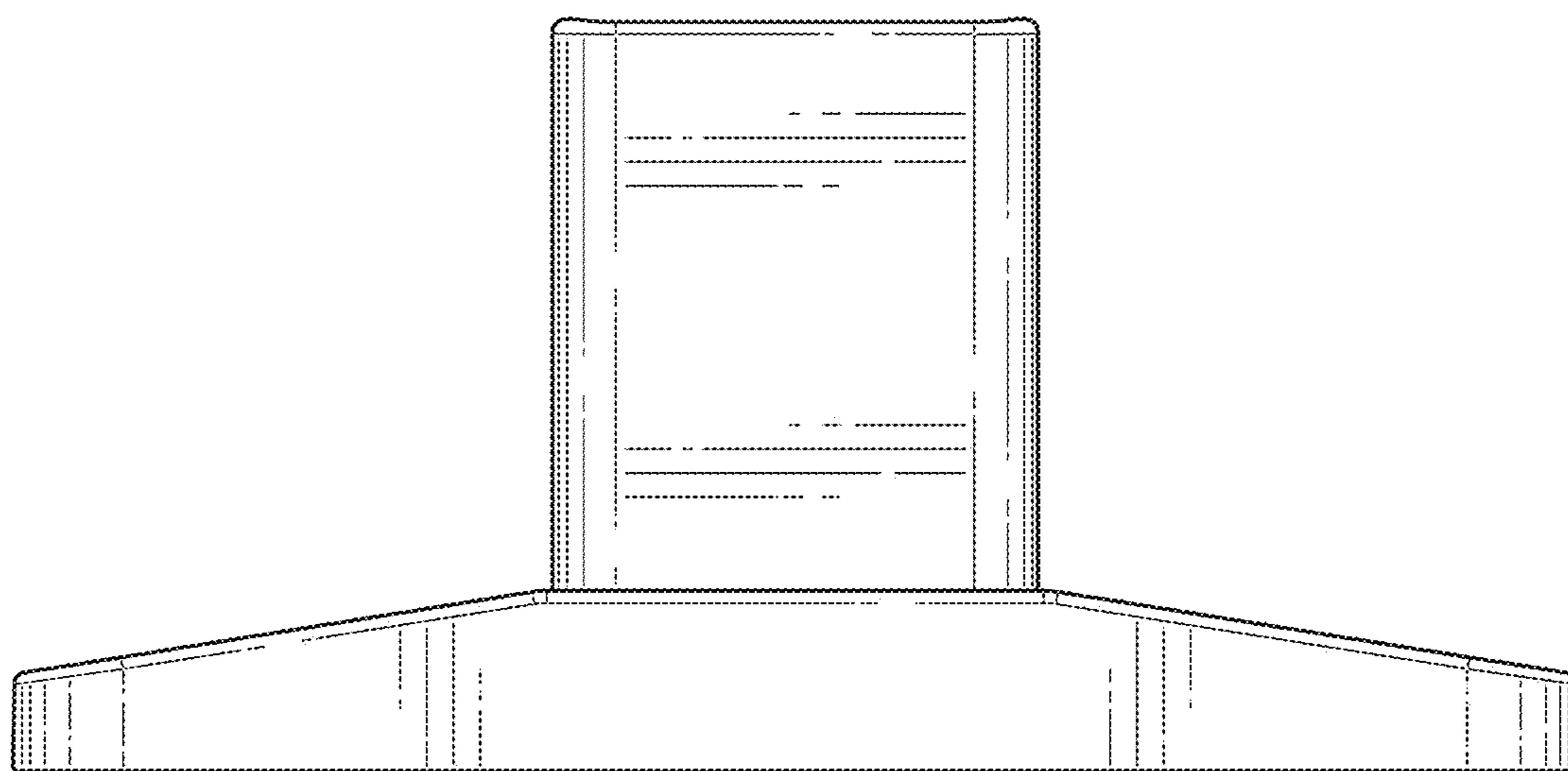


FIG. 5

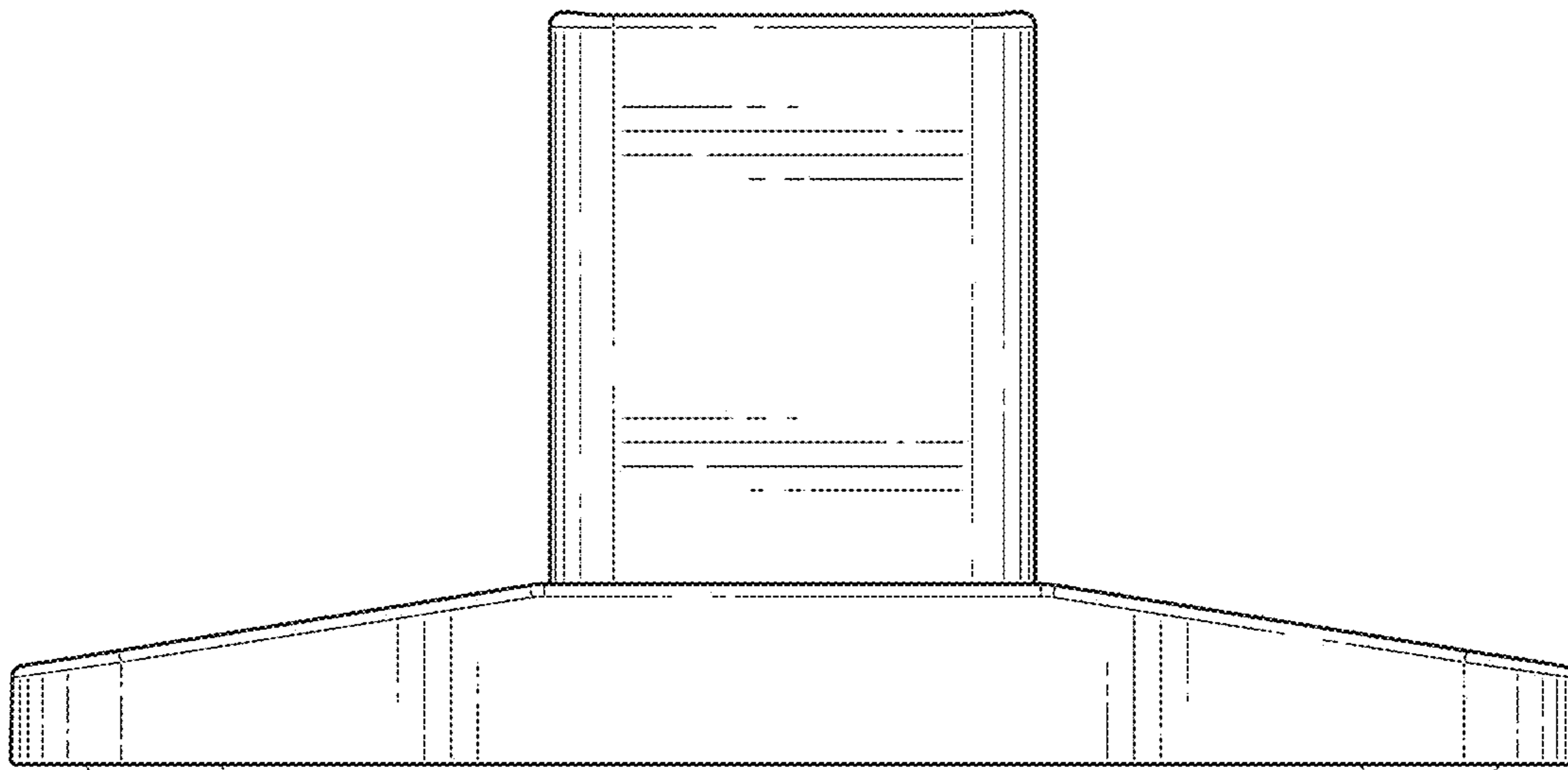


FIG. 6

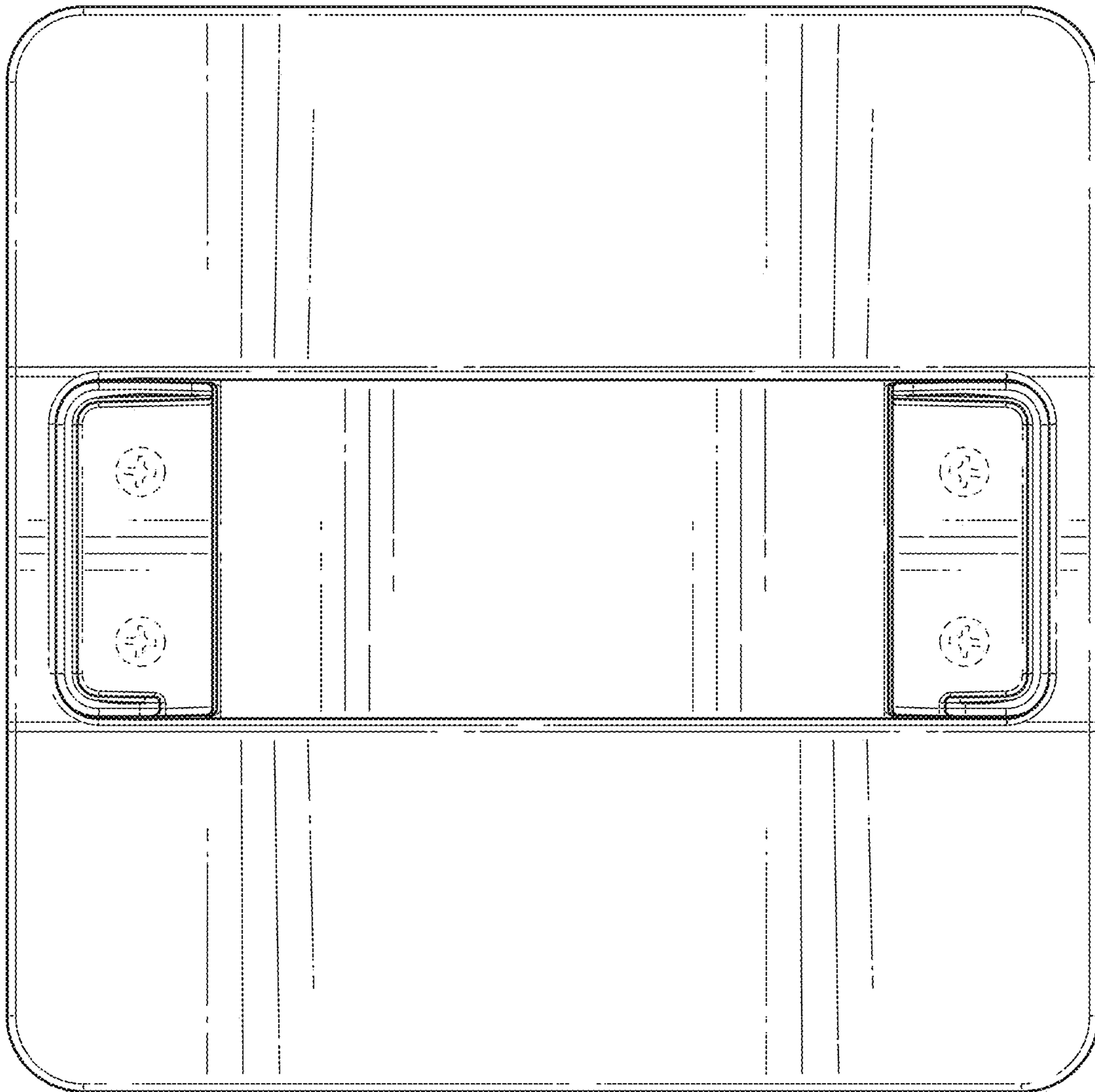


FIG. 7

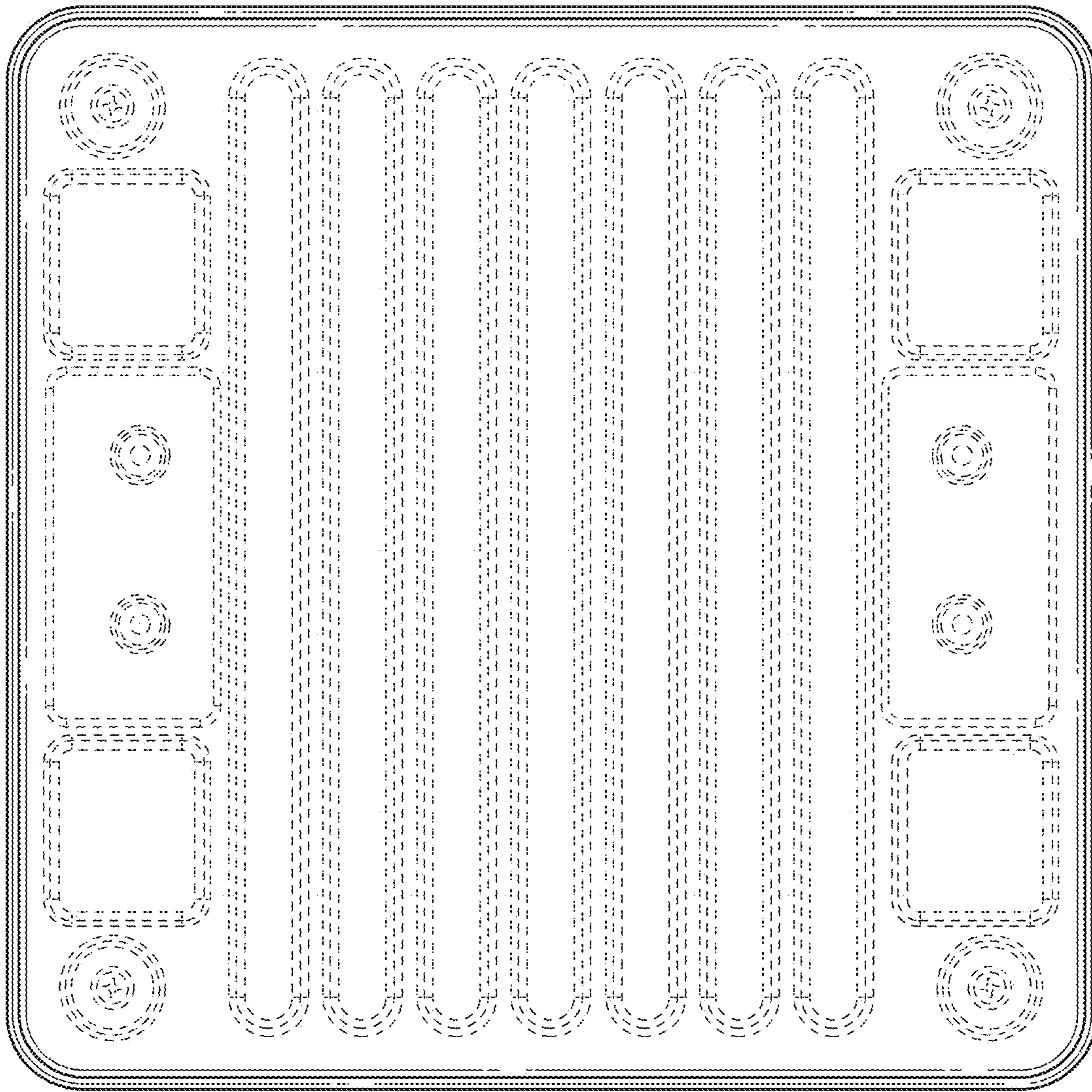


FIG. 8

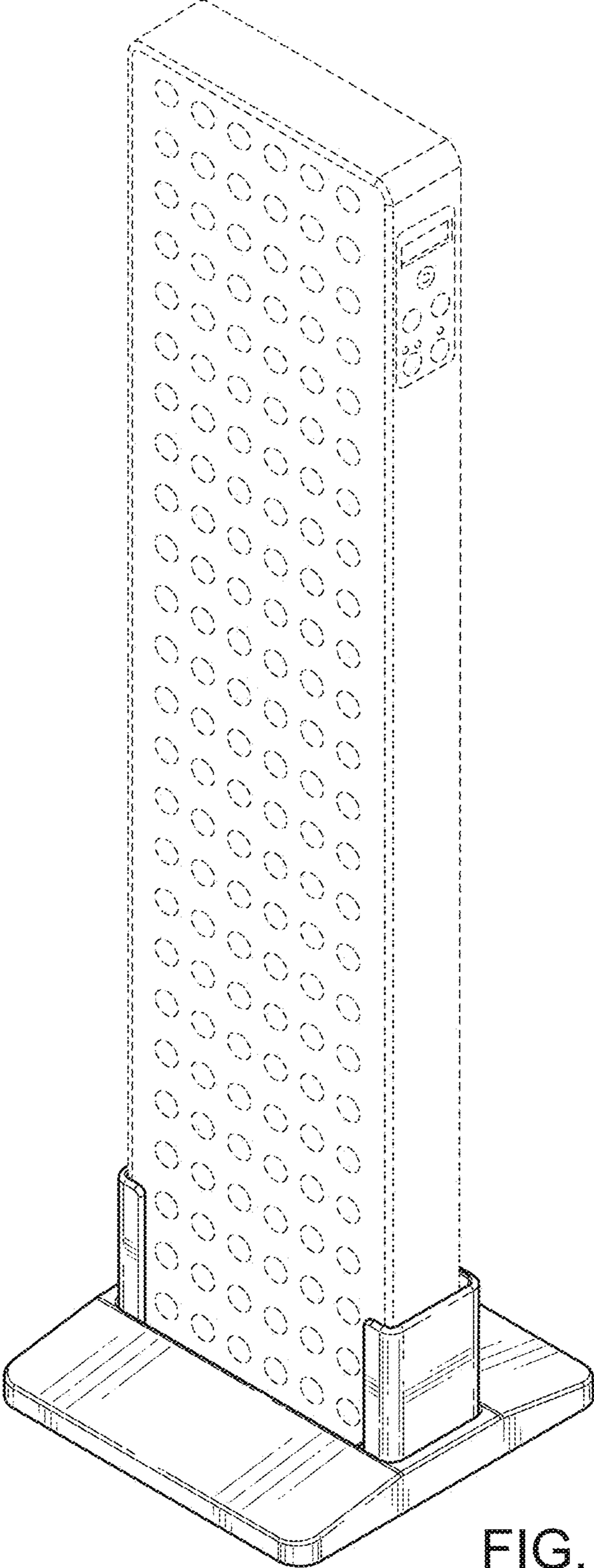


FIG. 9

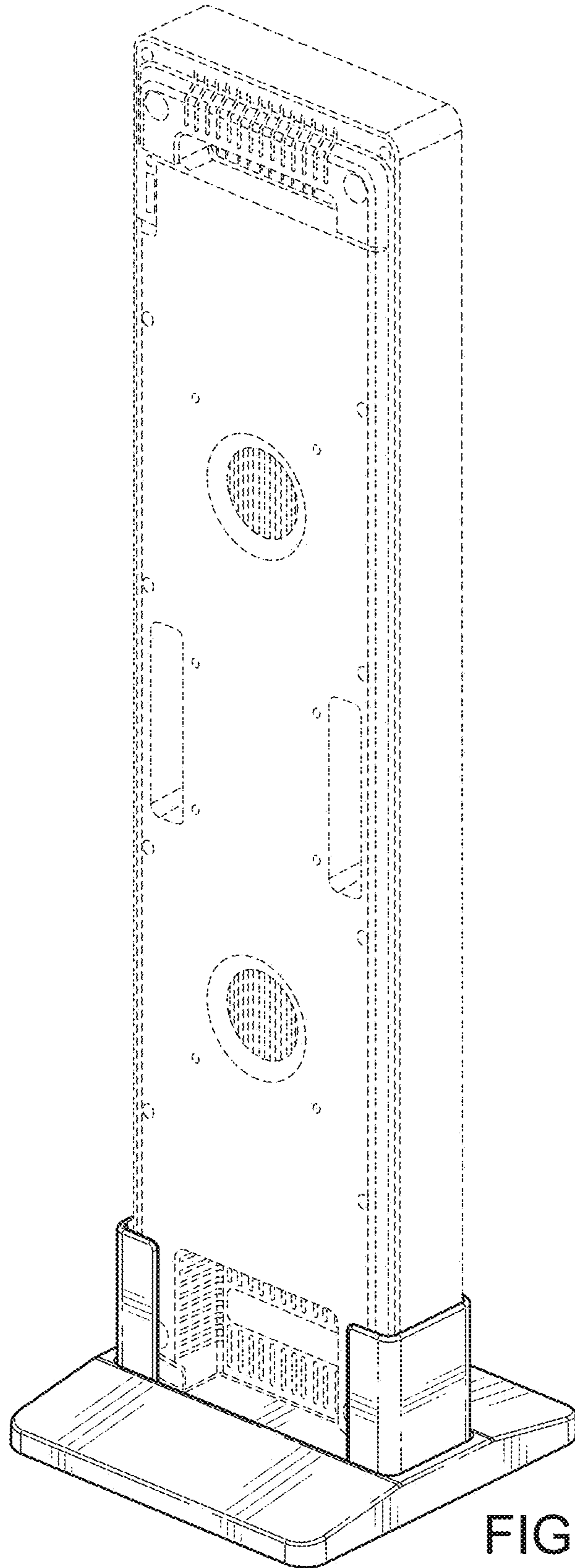


FIG. 10