



US00D963872S

(12) **United States Design Patent**
Zender et al.

(10) **Patent No.: US D963,872 S**
(45) **Date of Patent: ** Sep. 13, 2022**

(54) **CONSOLE OF A COOLING TREATMENT SYSTEM**

1/36021; A61N 1/36; A61N 1/403; A61H 2201/02; A61H 2201/0207; A61H (Continued)

(71) Applicant: **R2 Technologies, Inc.**, San Ramon, CA (US)

(56) **References Cited**

(72) Inventors: **Wolfgang Günter Zender**, London (GB); **James Edward Hastings**, San Bruno, CA (US); **Timothy Dwaine Holt**, San Ramon, CA (US); **Scott Janis**, Pleasant Hill, CA (US); **Madison Nicole Berger**, San Francisco, CA (US); **Andrew Leonard Zee**, San Francisco, CA (US); **Lea Sandra Kobeli**, San Francisco, CA (US); **Steven Mardis Bagley**, San Francisco, CA (US)

U.S. PATENT DOCUMENTS

D503,979 S * 4/2005 Khalaj D24/146
D590,064 S * 4/2009 Janisch D24/206
(Continued)

(73) Assignee: **R2 TECHNOLOGIES, INC.**, San Ramon, CA (US)

FOREIGN PATENT DOCUMENTS

CN 202130588114.3 * 9/2021

(**) Term: **15 Years**

OTHER PUBLICATIONS

Body Massage Machine Beauty Machine, first available Sep. 30, 2021, amazon.com, [online], [site visited Apr. 21, 2022], Available from internet URL: https://www.amazon.com/Massage-Multifunction-Massager-Anti-Wrinkle-Equipment/dp/B097NG3ZMV/ref=sr_1_5?crid=1CJYQ4614NW79&keywords=%E2%80%A6 (Year: 2022).*

(21) Appl. No.: **29/766,899**

Primary Examiner — Samantha Q Lawrence

Assistant Examiner — Holly M Rodriguez

(22) Filed: **Jan. 19, 2021**

(74) *Attorney, Agent, or Firm* — Kilpatrick Townsend & Stockton LLP

(51) **LOC (13) Cl.** **24-01**

(52) **U.S. Cl.**

USPC **D24/206**

(58) **Field of Classification Search**

USPC D24/185–190, 200, 127, 130, 133, D24/145–147, 155–156, 158, 183, D24/206–208, 214–215, 231, 234; D8/391, 387; D23/303, 318, 322; D13/168; D14/218

CPC .. A61M 25/065; A61M 5/42; A61M 25/0612; A61M 25/00; A61M 39/00; A61M 27/00; A61M 25/0043; A61M 25/0067; A61M 25/0097; A61F 2/958; A61F 13/02; A61F 2013/00885; A61F 7/02; A61F 7/034; A61F 7/00; A61F 2007/0094; A61F 2007/0087; A61F 2007/0089; A61N

(57) **CLAIM**

The ornamental design for a console for a cooling treatment system, as shown and described.

DESCRIPTION

FIG. 1 is an isometric view of a console of a cooling treatment system.

FIG. 2 is a front view of the console of FIG. 1.

FIG. 3 is a back view of the console of FIG. 1.

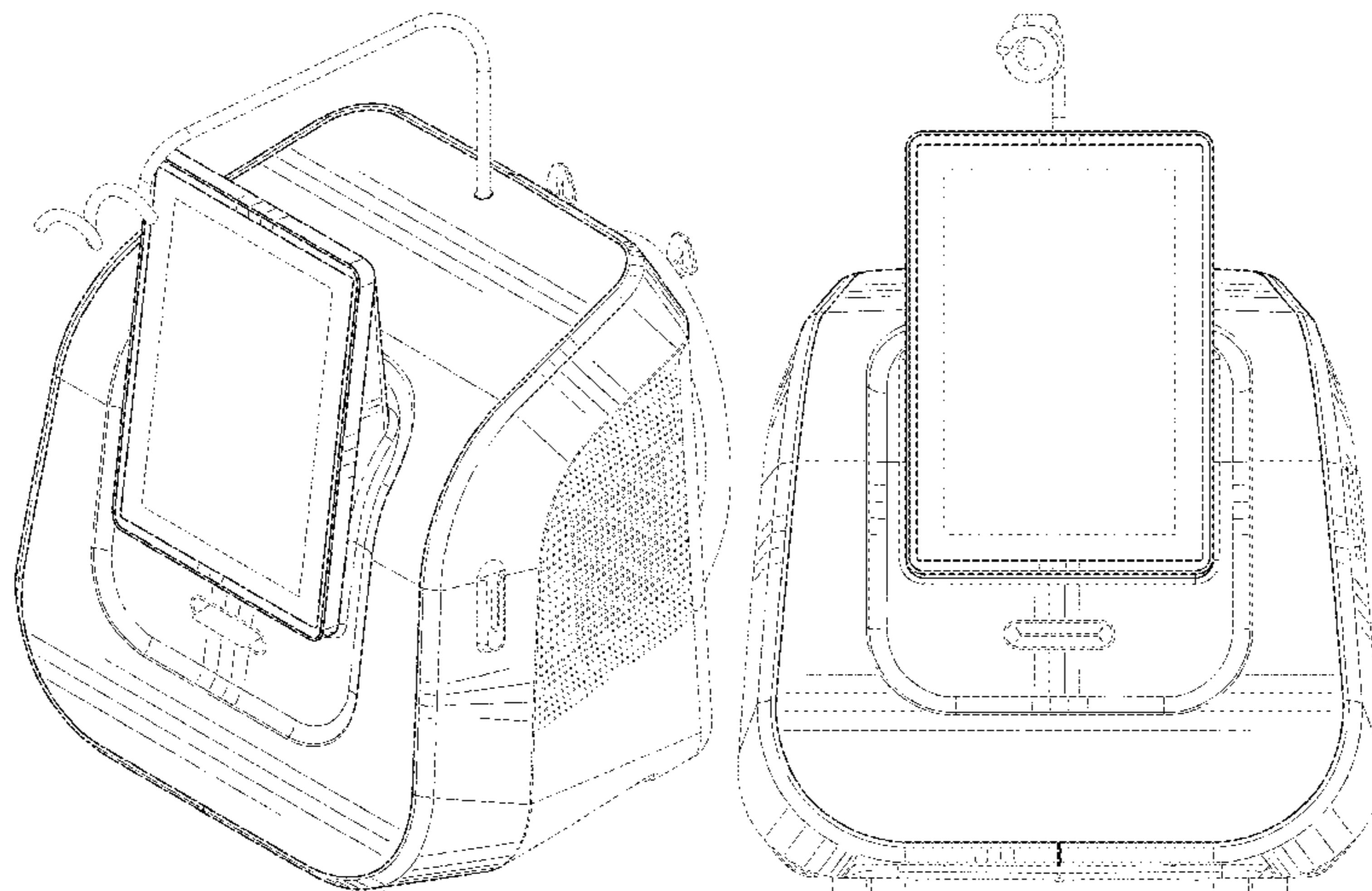
FIG. 4 is a left side view of the console of FIG. 1.

FIG. 5 is a right side view of the console of FIG. 1.

FIG. 6 is a top view of the console of FIG. 1; and,

FIG. 7 is a bottom view of the console of FIG. 1.

(Continued)



The broken lines indicate unclaimed portions of the console that form no part of the claimed design.

1 Claim, 7 Drawing Sheets

(58) Field of Classification Search

CPC 2201/0221; A61H 15/0092; A61G
2201/02147

See application file for complete search history.

(56) References Cited

U.S. PATENT DOCUMENTS

D639,945 S *	6/2011	Goerge	D24/146
D711,004 S *	8/2014	Chen	D24/186
D806,887 S *	1/2018	Yang	D24/206
D861,167 S *	9/2019	Emery	D24/158
D890,345 S *	7/2020	Mathers	D24/158
D903,132 S *	11/2020	Shavit	D24/200
D903,133 S *	11/2020	Shavit	D24/200
D905,249 S *	12/2020	He	D24/185
D914,905 S *	3/2021	Wade	D24/216
2016/0051308 A1 *	2/2016	Pennybacker	F16L 27/02 606/20

* cited by examiner

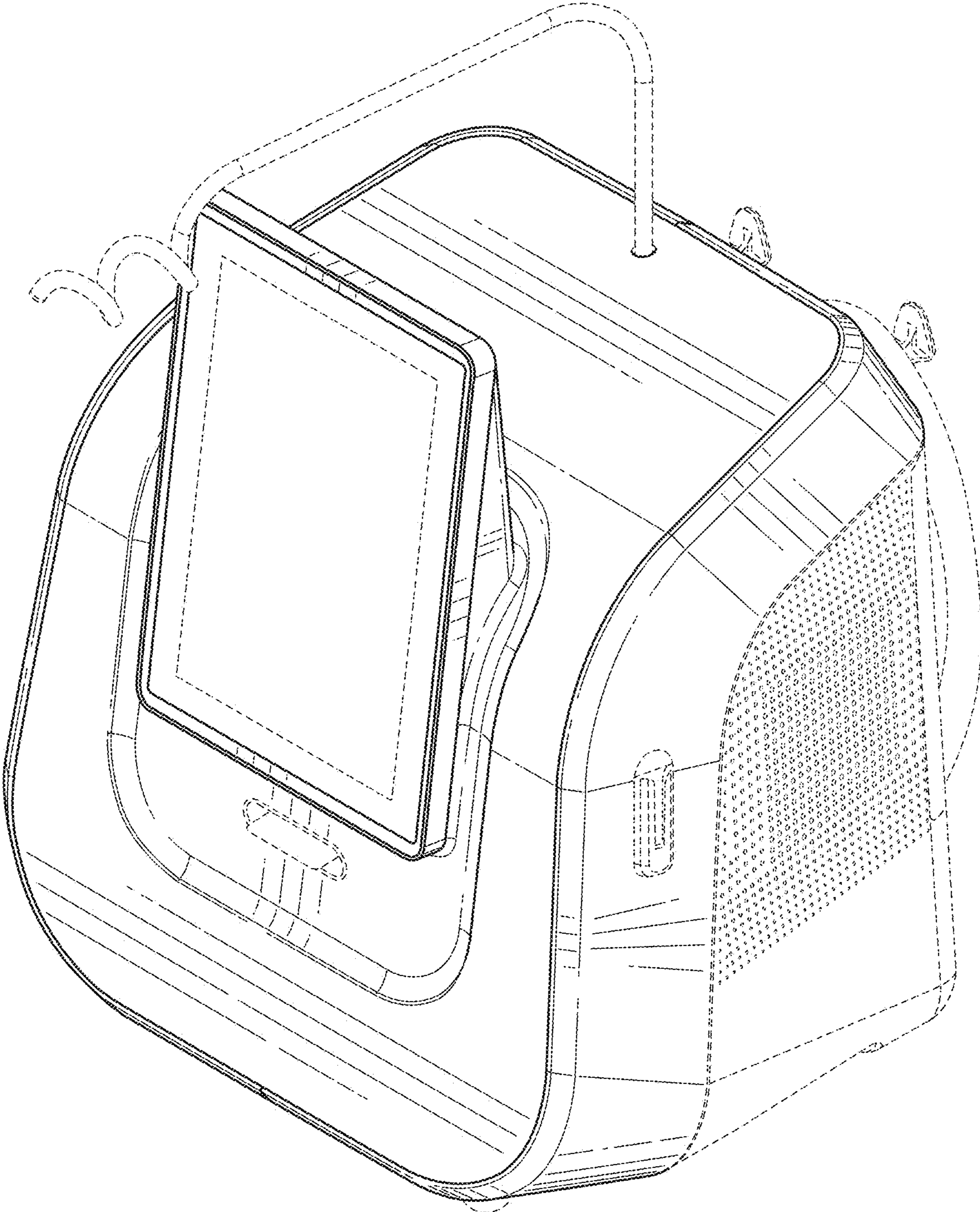


FIG. 1

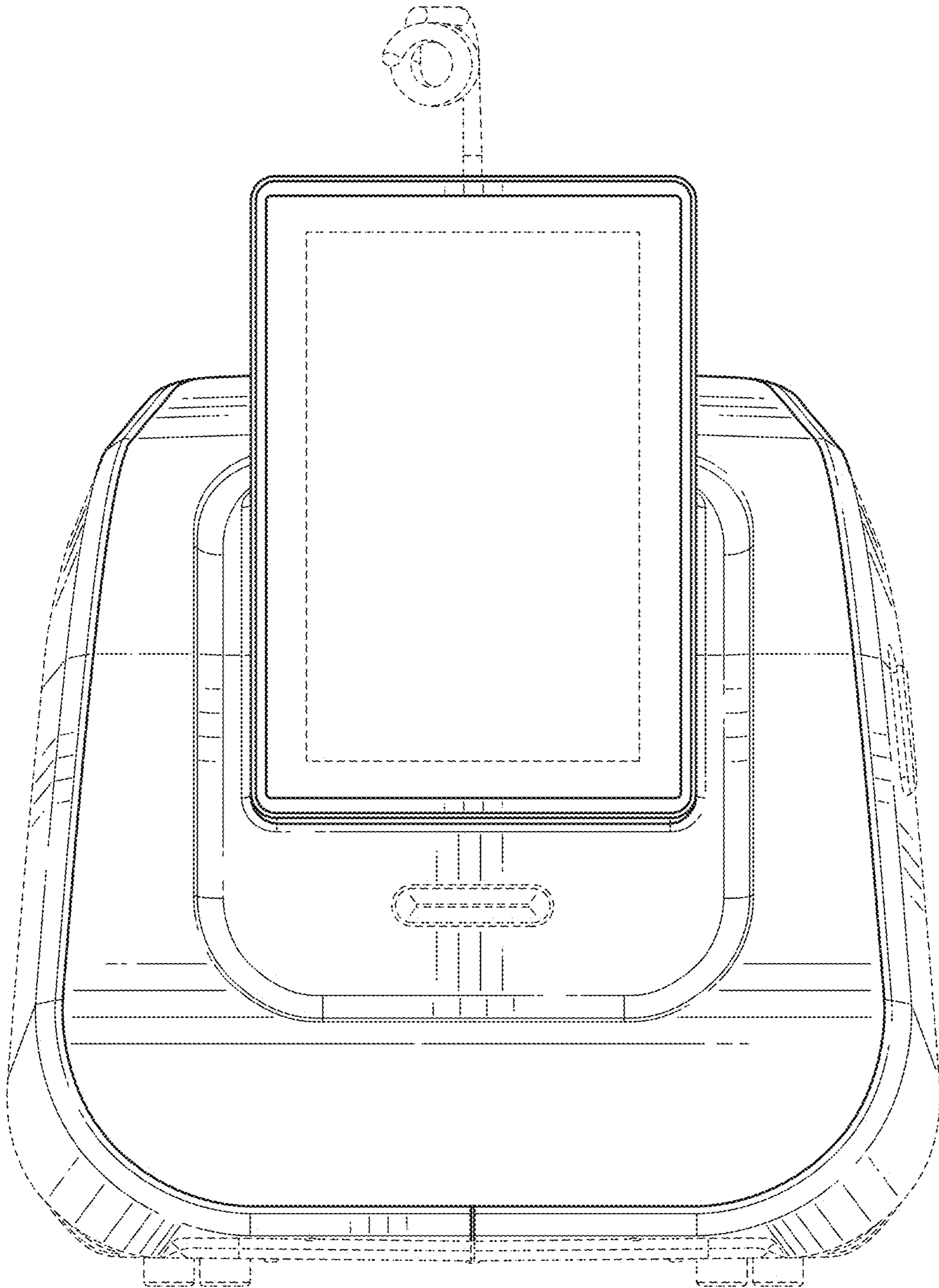


FIG. 2

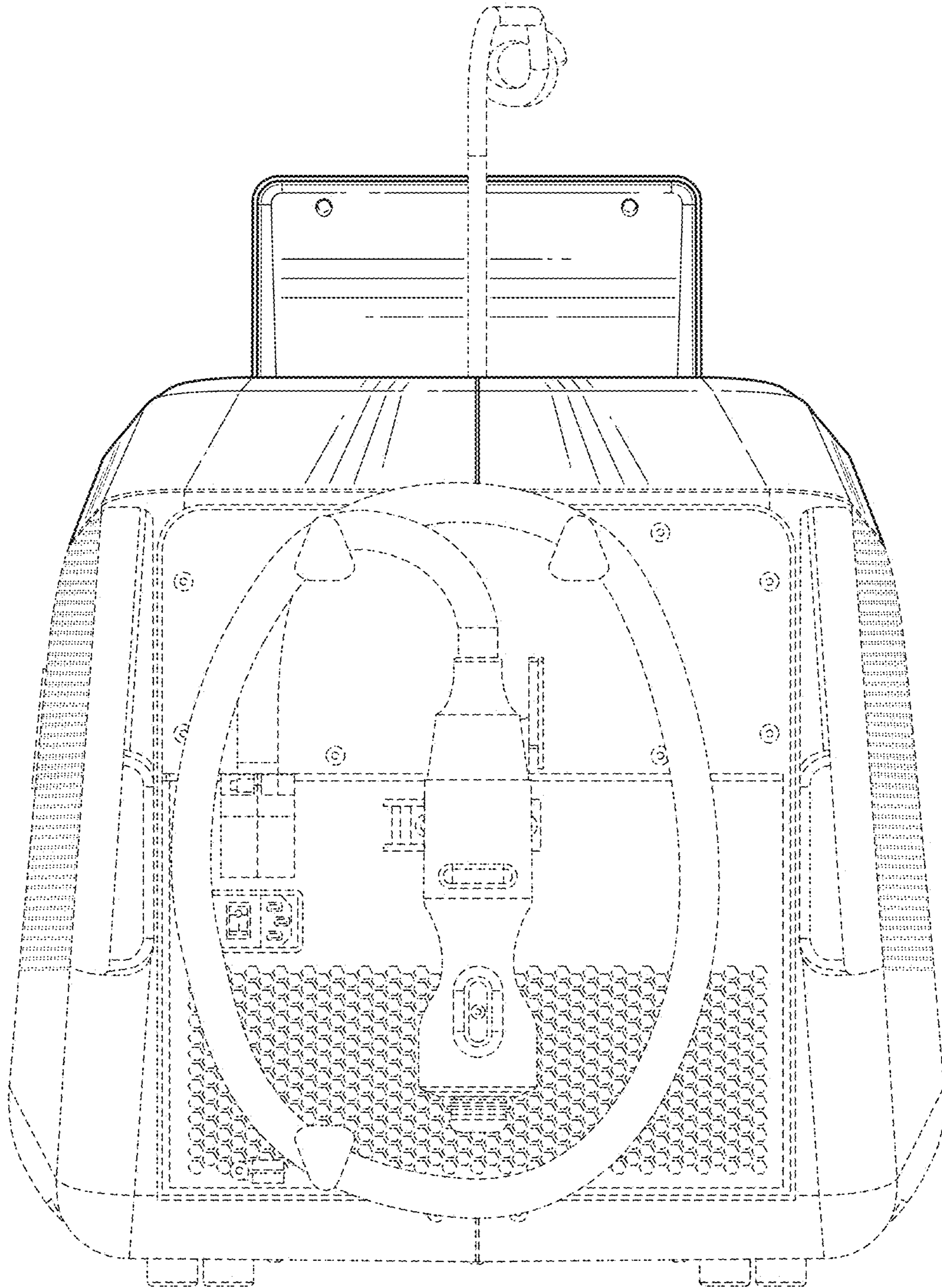


FIG. 3

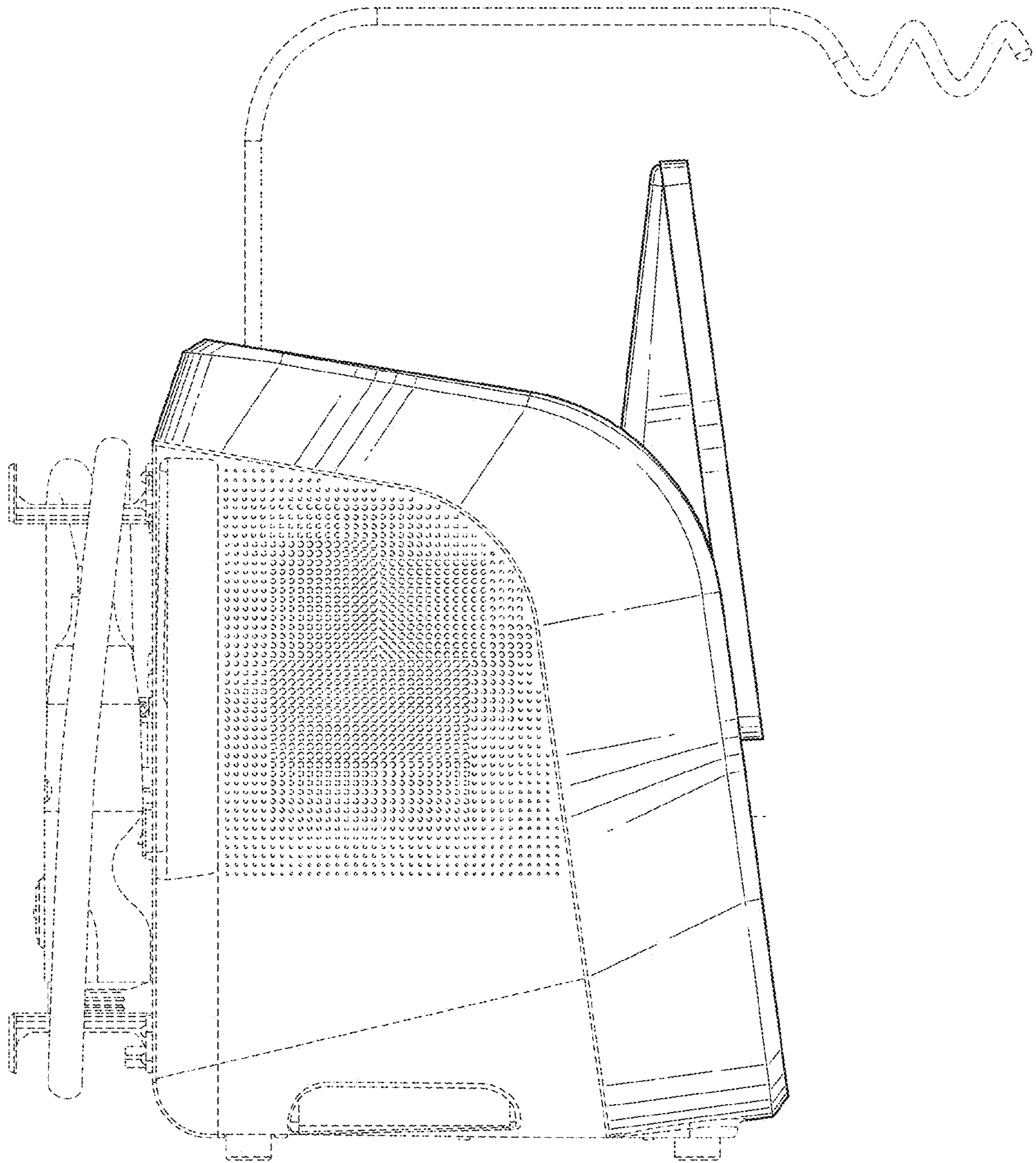


FIG. 4

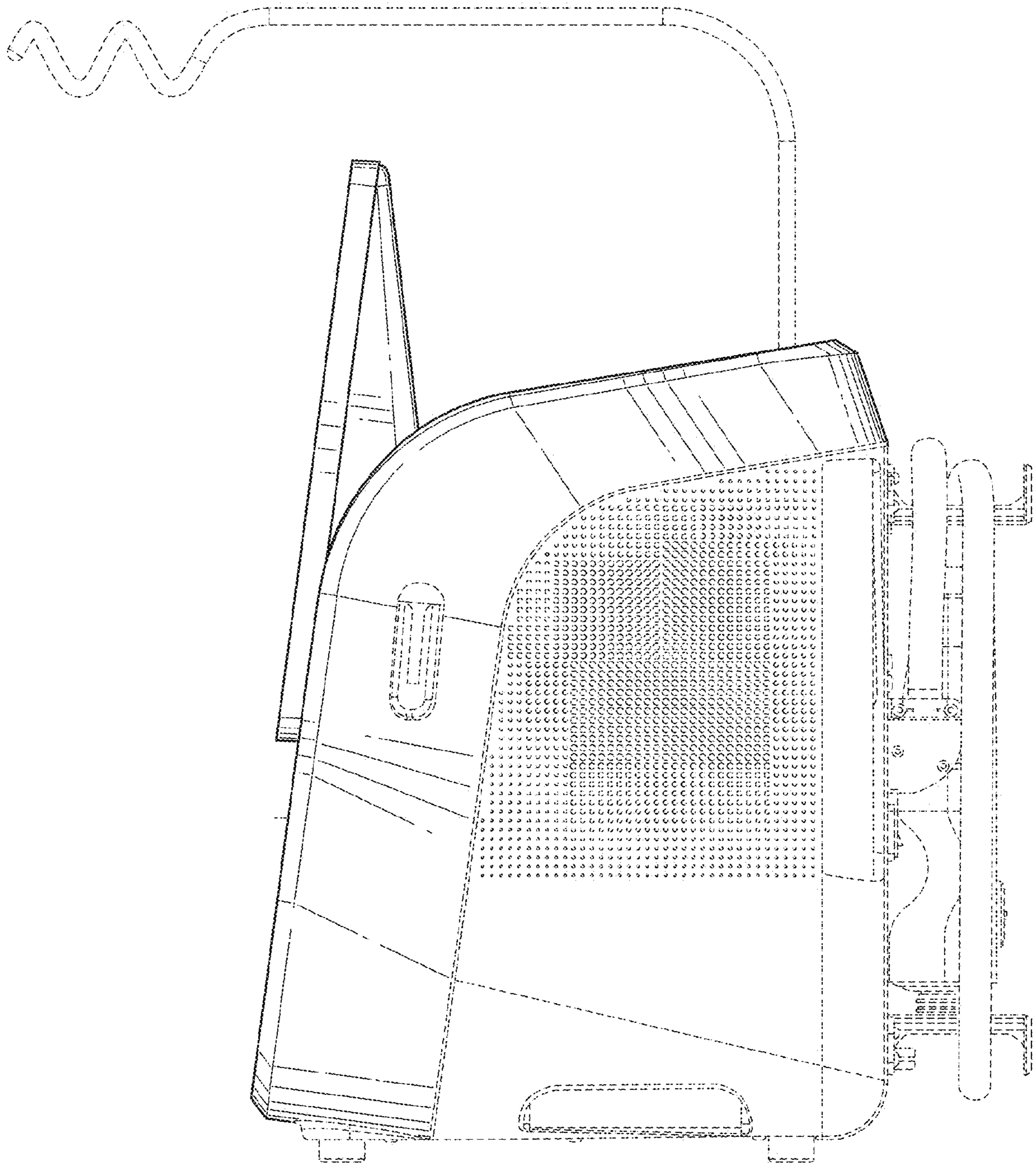


FIG. 5

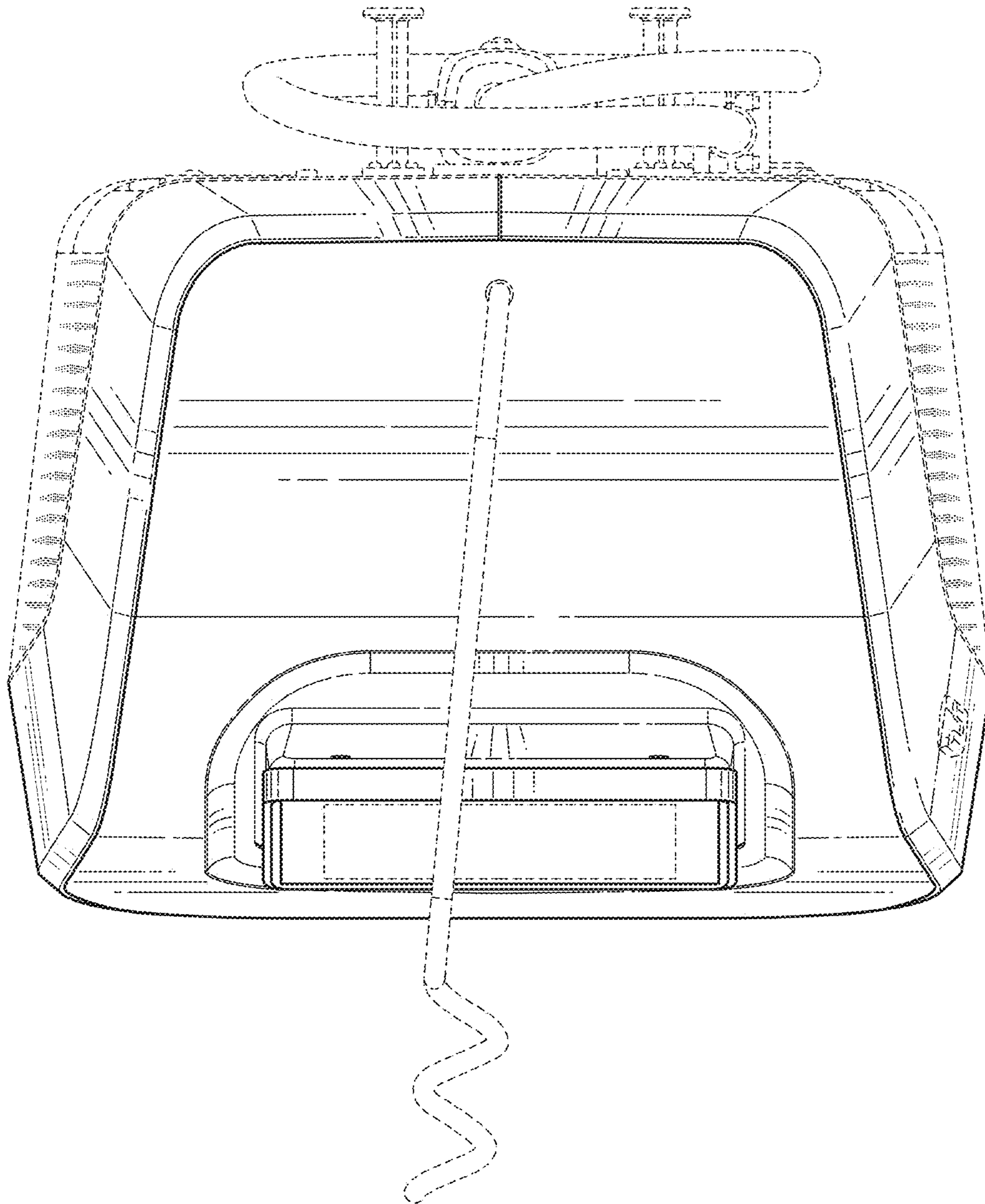


FIG. 6

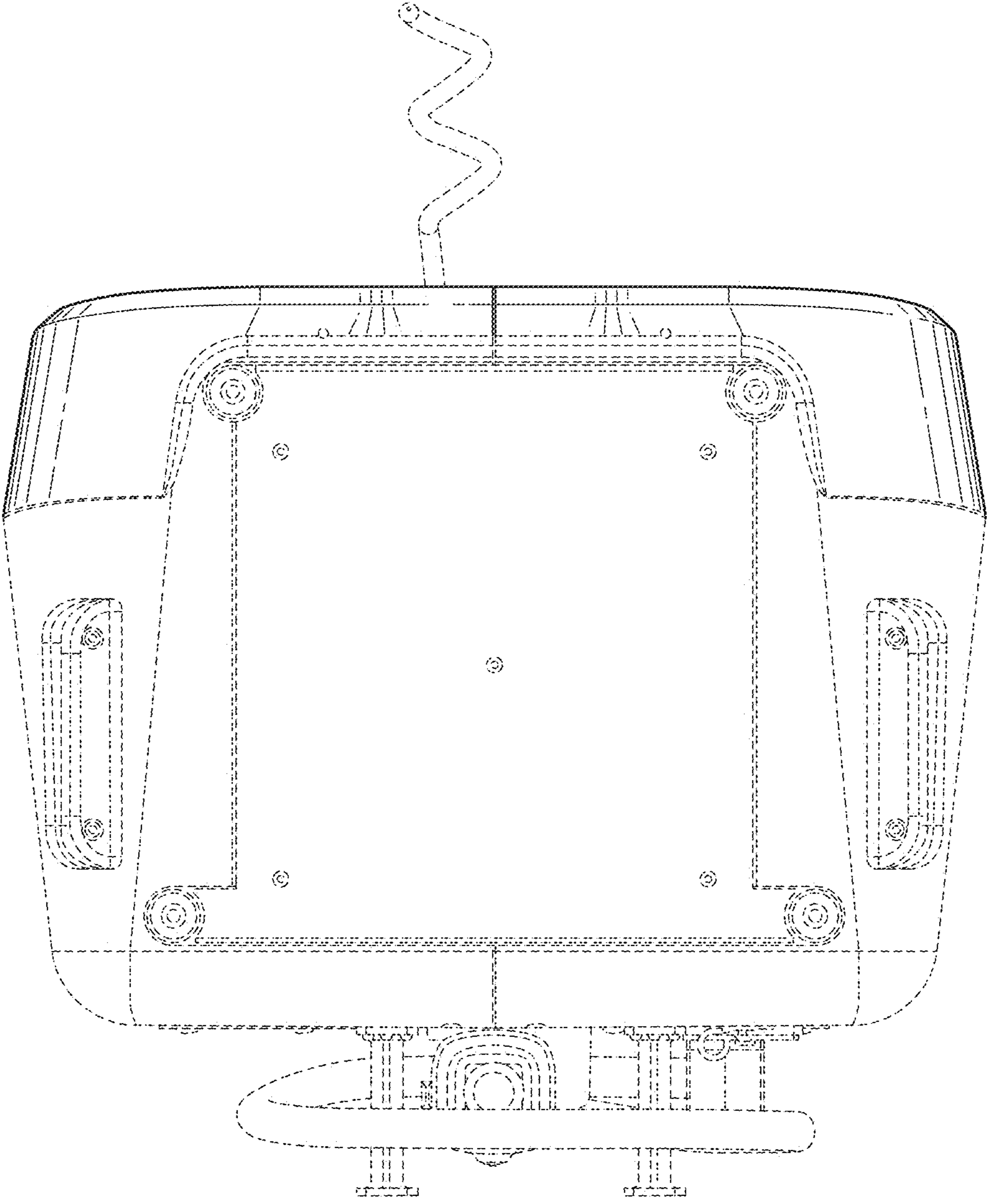


FIG. 7