



US00D963870S

(12) **United States Design Patent**  
**Careless et al.**

(10) **Patent No.:** **US D963,870 S**  
(45) **Date of Patent:** **\*\* Sep. 13, 2022**

(54) **MUSCLE STIMULATION DEVICE**

(71) Applicant: **Alura Inc.**, Houston, TX (US)

(72) Inventors: **Nathan Careless**, Cedar Park, TX (US); **Adam Prather**, Austin, TX (US); **Samuel Moon**, Austin, TX (US); **Lucas Wade**, Austin, TX (US); **Christy Sepulveda**, Austin, TX (US); **Scott Slade**, Round Rock, TX (US)

(73) Assignee: **Alura Inc.**, Houston, TX (US)

(\*\*) Term: **15 Years**

(21) Appl. No.: **29/758,896**

(22) Filed: **Nov. 19, 2020**

(51) **LOC (13) Cl.** ..... **24-01**

(52) **U.S. Cl.**

USPC ..... **D24/200**

(58) **Field of Classification Search**

USPC ..... D24/185-190, 200, 127, 130, 133, D24/145-147, 155-156, 158, 183, D24/206-208, 214-215, 231, 234; D8/391, 387; D23/303, 318, 322; D13/168; D14/218

CPC .. A61M 25/065; A61M 5/42; A61M 25/0612; A61M 25/00; A61M 39/00; A61M 27/00; A61M 25/0043; A61M 25/0067; A61M 25/0097; A61F 2/958; A61F 13/02; A61F 2013/00885; A61F 7/02; A61F 7/034; A61F 7/00; A61F 2007/0094; A61F 2007/0087; A61F 2007/0089; A61N 1/36021; A61N 1/36; A61N 1/403; A61H 2201/02; A61H 2201/0207; A61H 2201/0221; A61H 15/0092; A61G 2201/02147

See application file for complete search history.

(56) **References Cited**

**U.S. PATENT DOCUMENTS**

D77,801 S \* 2/1929 Wantz ..... D24/200  
D726,324 S \* 4/2015 Duncan ..... D24/177

D727,505 S \* 4/2015 Choudhary ..... D24/158  
D836,781 S \* 12/2018 Meurer ..... D24/185  
10,252,050 B2 \* 4/2019 Kreis ..... A61B 18/14  
D890,351 S \* 7/2020 Sung ..... D24/185  
D940,879 S \* 1/2022 Ryu ..... D24/185

(Continued)

**FOREIGN PATENT DOCUMENTS**

CN 202130574792.4 \* 9/2021

**OTHER PUBLICATIONS**

Electrical Muscle Stimulation, usalura.com, [online], [site visited Apr. 21, 2022], Available from internet URL: <http://www.usalura.com/product/html/?137.html> (Year: 2022).\*

(Continued)

*Primary Examiner* — Samantha Q Lawrence

*Assistant Examiner* — Holly M Rodriguez

(74) *Attorney, Agent, or Firm* — Hanrahan Law Firm, P.A.; Benjamin M. Hanrahan

(57) **CLAIM**

The ornamental design for a muscle stimulation device, as shown and described.

**DESCRIPTION**

FIG. 1 is a front perspective view illustrating our design for a muscle stimulation device.

FIG. 2 is a left side view thereof.

FIG. 3 is a rear view thereof.

FIG. 4 is a right side view thereof.

FIG. 5 is a front view thereof.

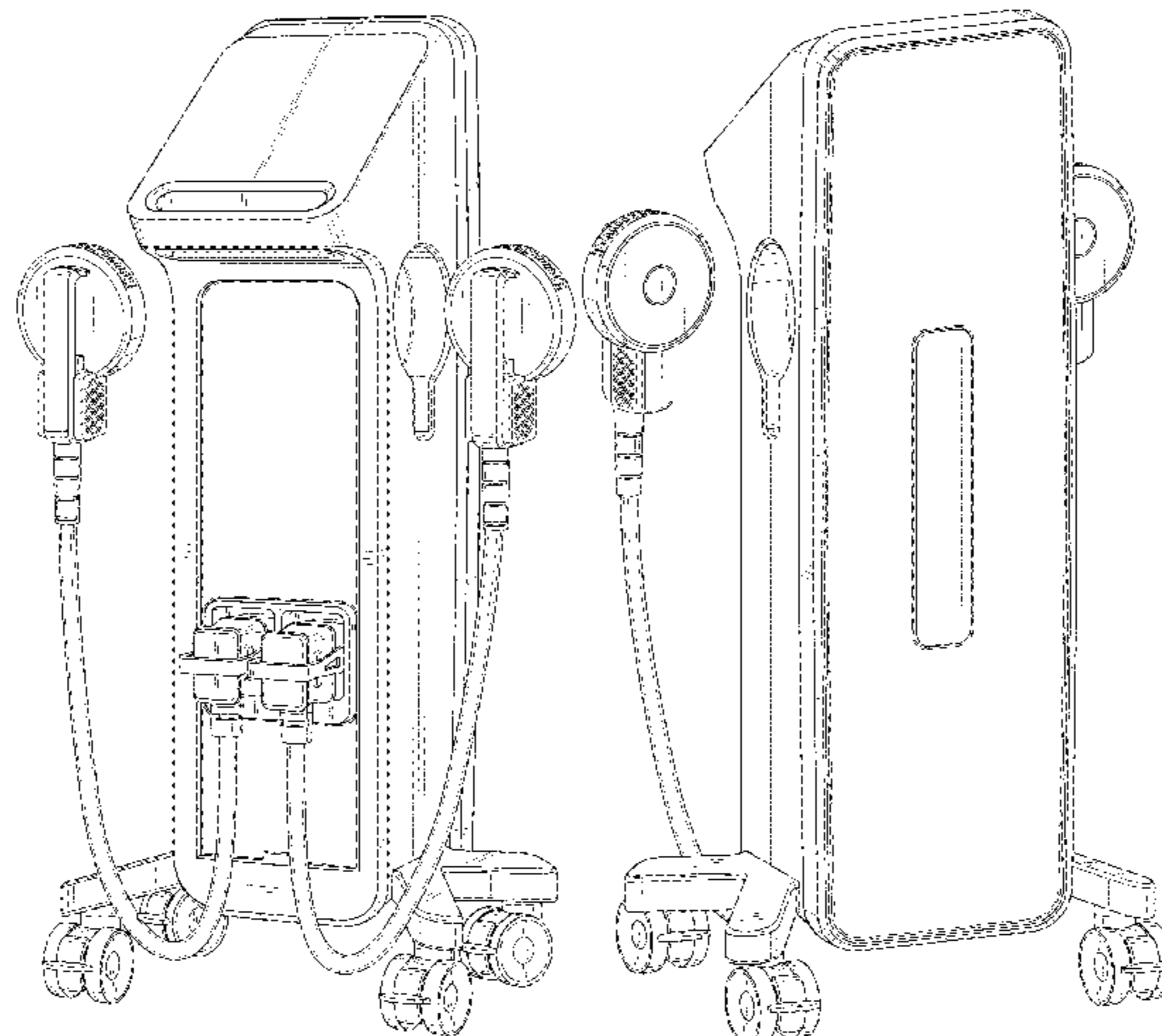
FIG. 6 is a top view thereof.

FIG. 7 is a bottom view thereof; and,

FIG. 8 is a rear perspective view thereof.

The broken lines in FIGS. 1, 3, 5, and 8 show portions of the article that form no part of the claimed design.

**1 Claim, 8 Drawing Sheets**



(56)

**References Cited**

U.S. PATENT DOCUMENTS

2018/0078755 A1\* 3/2018 Kreis ..... A61N 1/36  
2022/0072299 A1\* 3/2022 Ko ..... A61N 1/05

OTHER PUBLICATIONS

Slimming System EMS Muscle Machine Electric Stimulator for Home, made-in-china, [online], [site visited Apr. 21, 2022], Available from internet URL: <https://sanhelaser.en.made-in-china.com/product/cNsfwdDTwZAM/China-Slimming-System-EMS-Muscle-Machine-Electric-Stimulator-for-Home.html> (Year: 2022).\*

\* cited by examiner

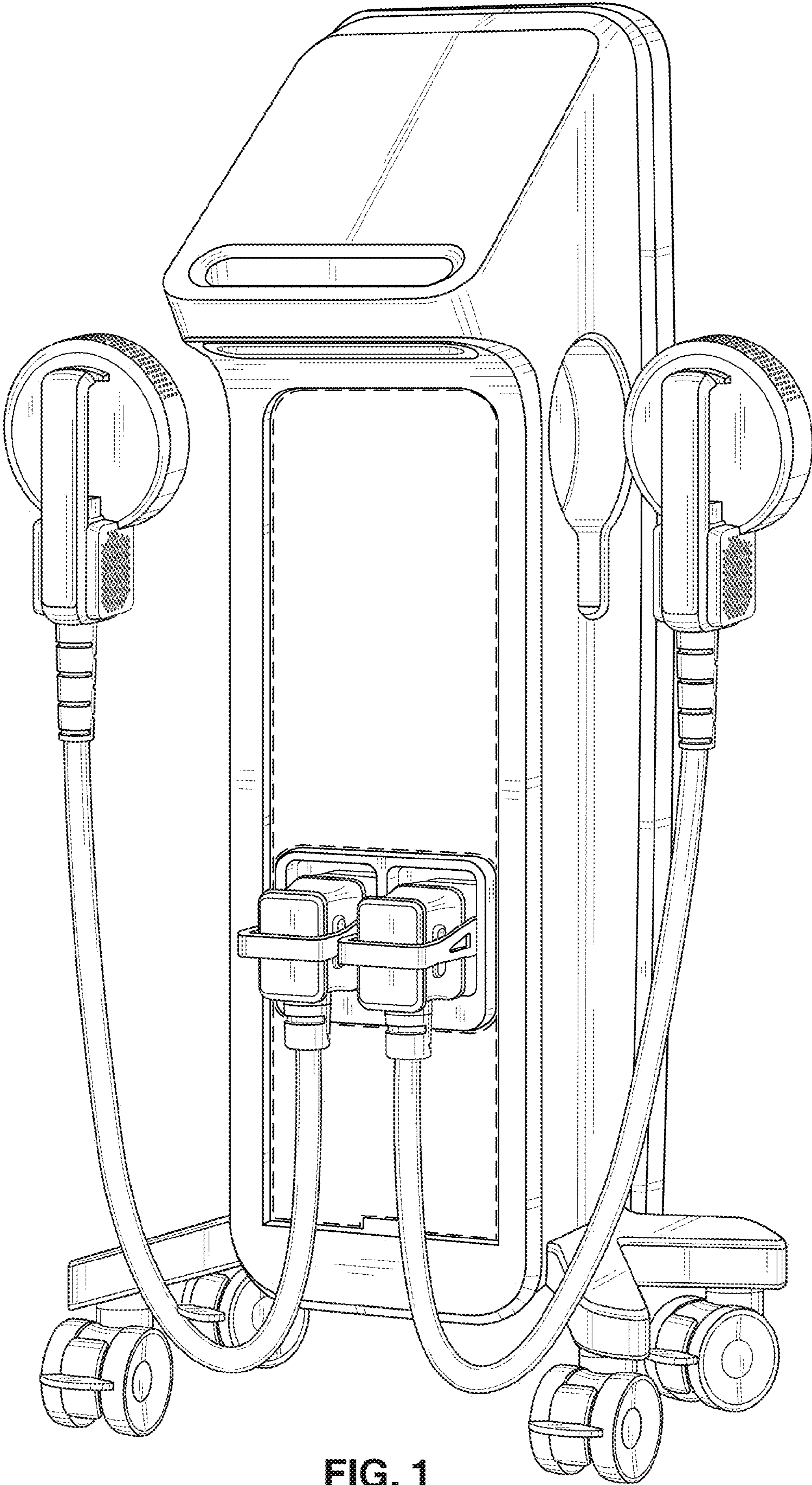


FIG. 1

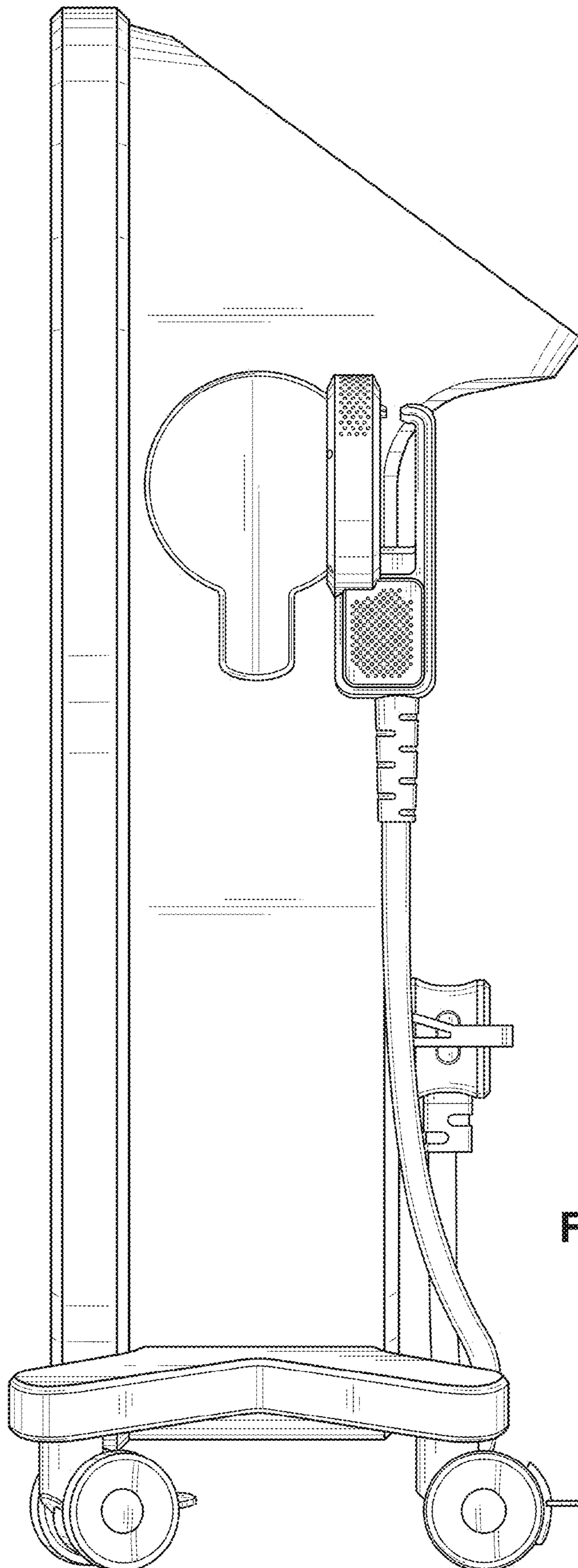


FIG. 2

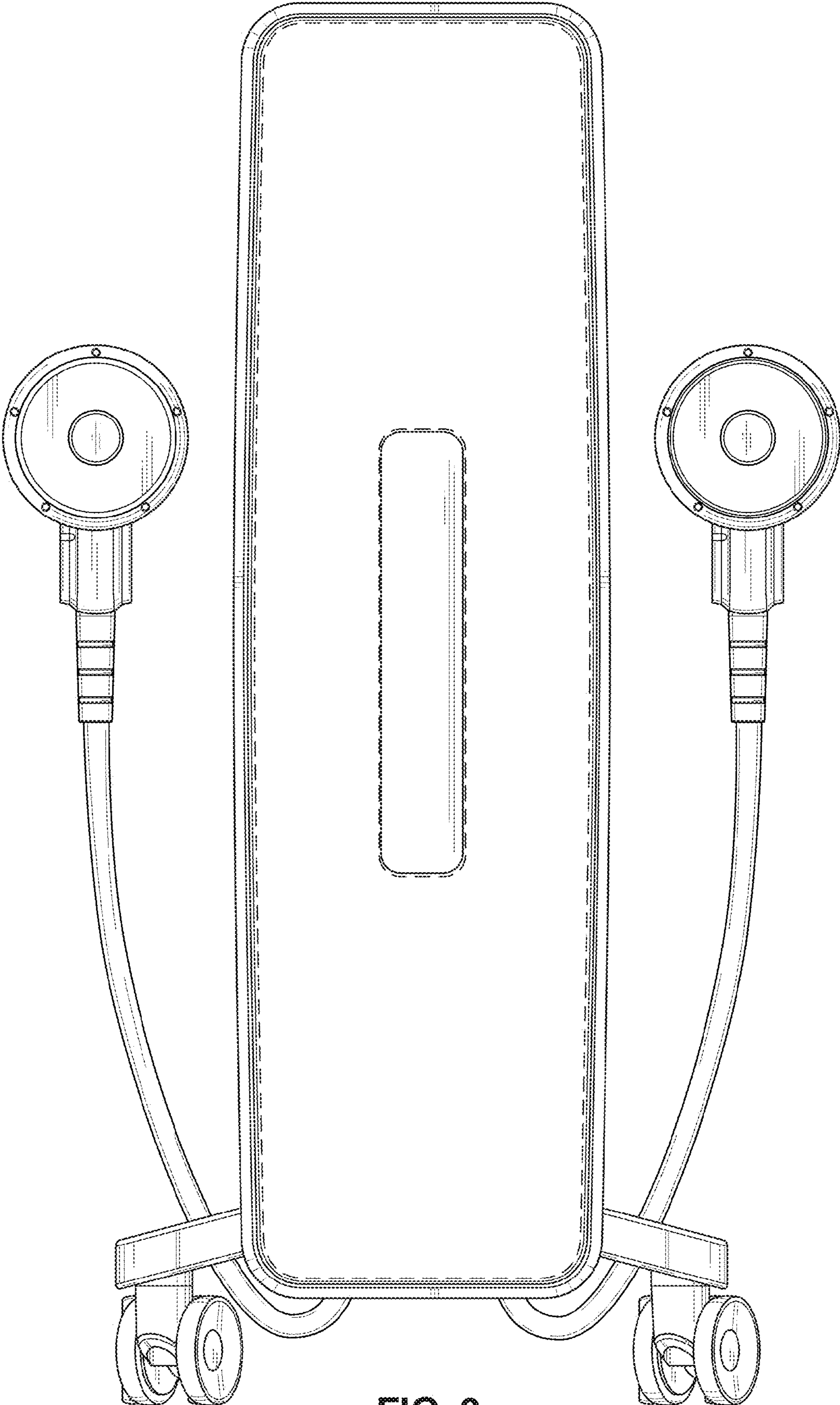


FIG. 3

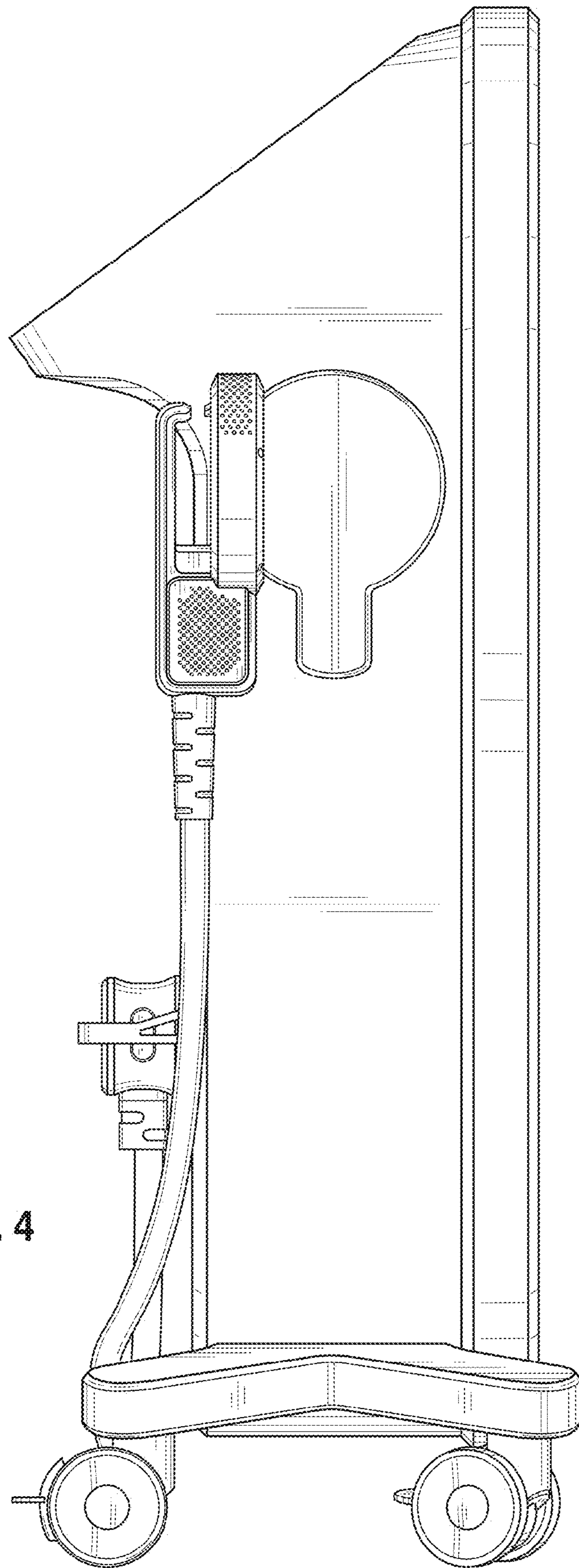


FIG. 4

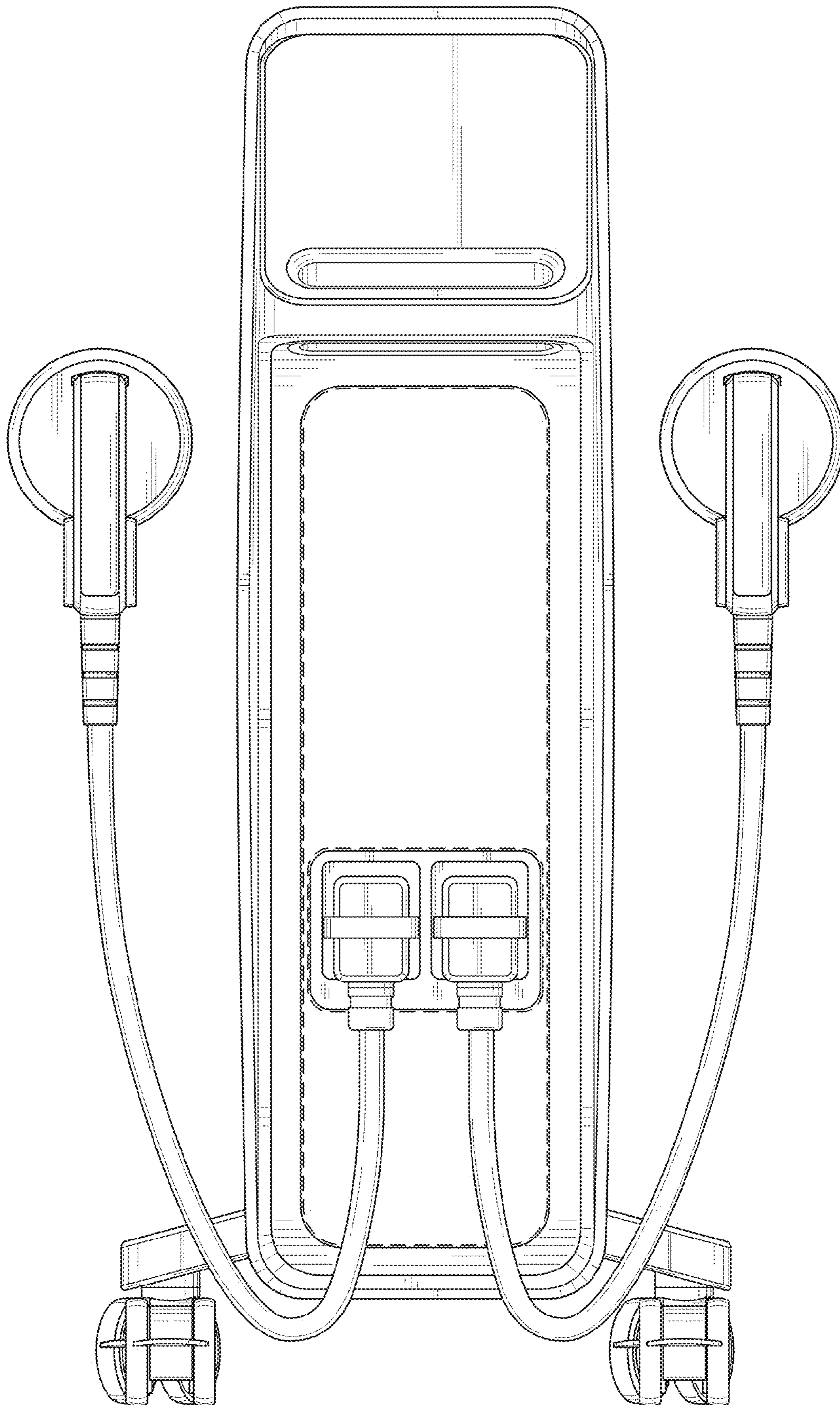


FIG. 5

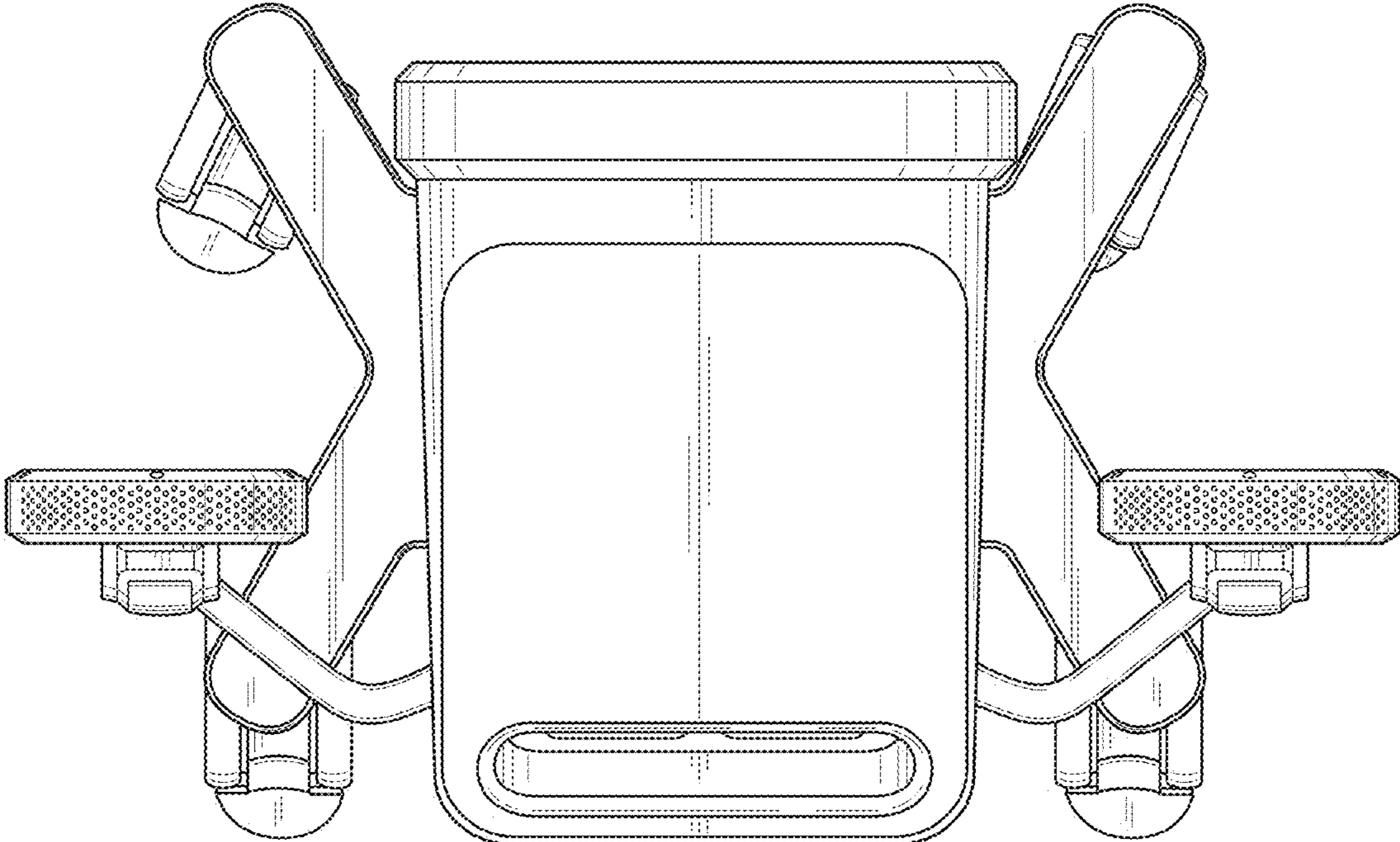


FIG. 6



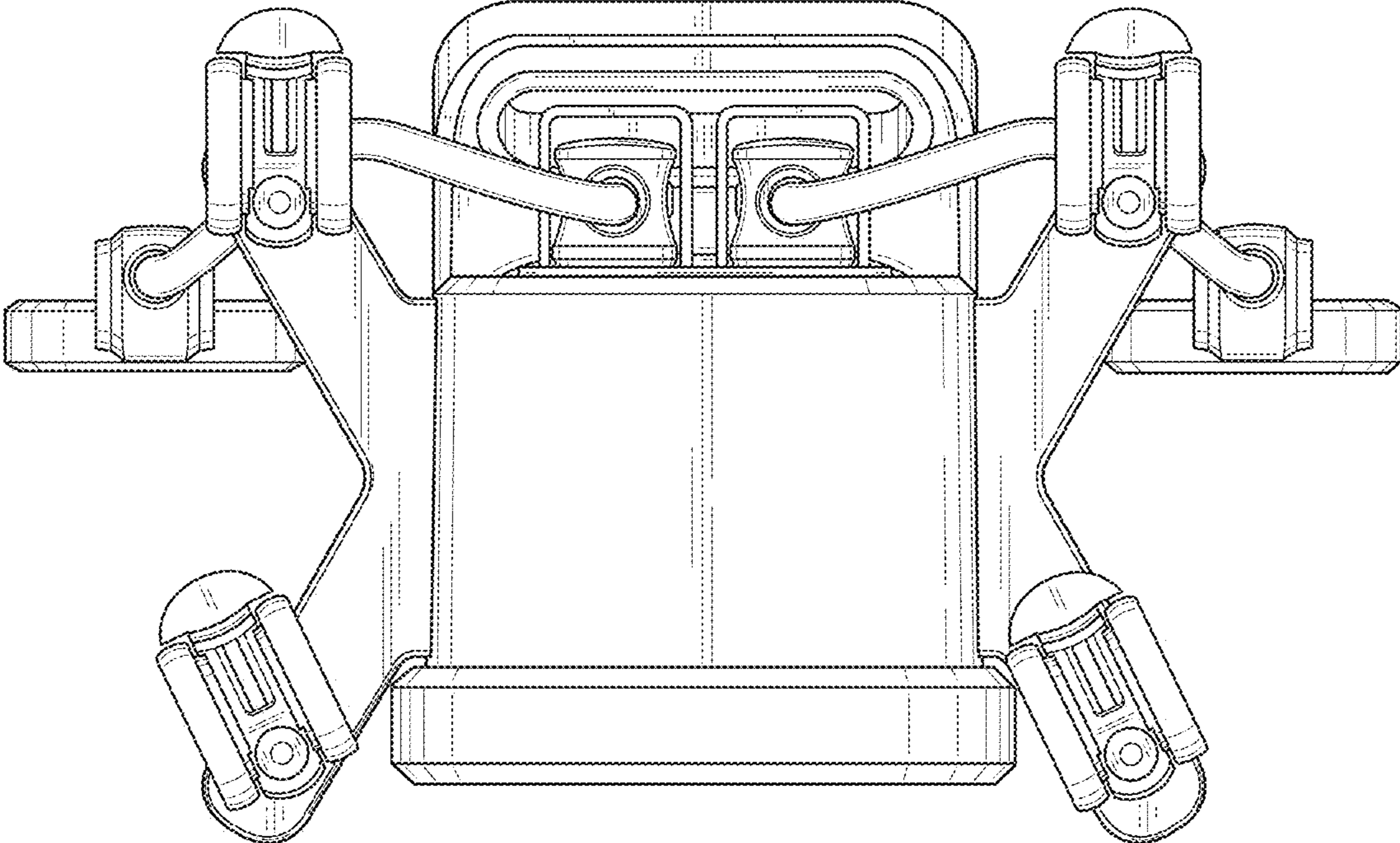


FIG. 7

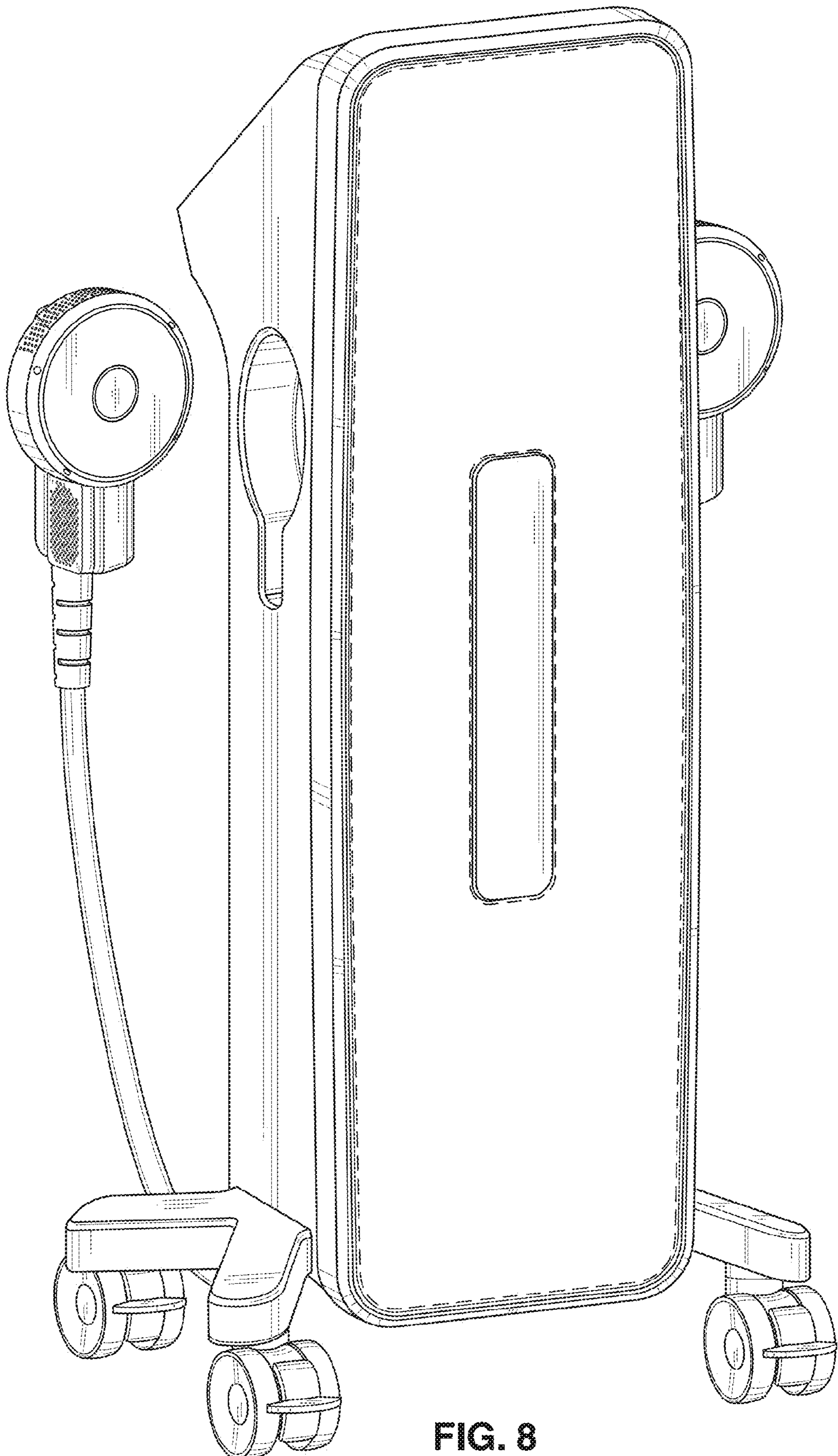


FIG. 8