



US00D963868S

(12) **United States Design Patent** (10) **Patent No.:** **US D963,868 S**
Camozzi et al. (45) **Date of Patent:** **** Sep. 13, 2022**

(54) **MEDICAL DEVICE**
(71) Applicant: **SynDermix AG**, Stans (CH)
(72) Inventors: **Carlos Roberto Camozzi**, Basel (CH);
Samuel Malzach, Evilard (CH);
Andrew Hirniak, Zürich (CH); **Mario Tronza**, Basel (CH)
(73) Assignee: **SYNDERMIX AG**, Stans (CH)

D932,041 S * 9/2021 Sedic D24/215
D935,045 S * 11/2021 Zhang D24/215
2011/0166486 A1 7/2011 Kumanomido
2013/0253387 A1* 9/2013 Bonutti A61H 23/0245
601/46
2014/0194794 A1 7/2014 Sedic
2015/0005750 A1 1/2015 Kelleher et al.
2015/0165238 A1 6/2015 Slayton et al.
2017/0087379 A1 3/2017 Sedic
(Continued)

(**) Term: **15 Years**
(21) Appl. No.: **29/723,541**
(22) Filed: **Feb. 7, 2020**

FOREIGN PATENT DOCUMENTS

CN 108704826 A 10/2018
DE 102005042092 A1 10/2007
(Continued)

(30) **Foreign Application Priority Data**

Aug. 9, 2019 (EM) 006694220-0001
Aug. 9, 2019 (EM) 006694220-0002

OTHER PUBLICATIONS

Search Report under Section 17(5), dated Nov. 5, 2020, in International Application No. PCT/EP2020/065865 (5 pages).
(Continued)

(51) **LOC (13) Cl.** **24-02**
(52) **U.S. Cl.**
USPC **D24/200**
(58) **Field of Classification Search**
USPC D24/231, 232, 107, 186, 200, 209, 210,
D24/214, 215
CPC A61H 23/0218; A61H 23/0245; A61H
39/007; A61N 1/0546; A61N 1/36014;
A61N 2005/0644
See application file for complete search history.

Primary Examiner — Anhdao Doan
(74) *Attorney, Agent, or Firm* — Michele V. Frank;
Venable LLP

(57) **CLAIM**

The ornamental design for a medical device, as shown and described.

DESCRIPTION

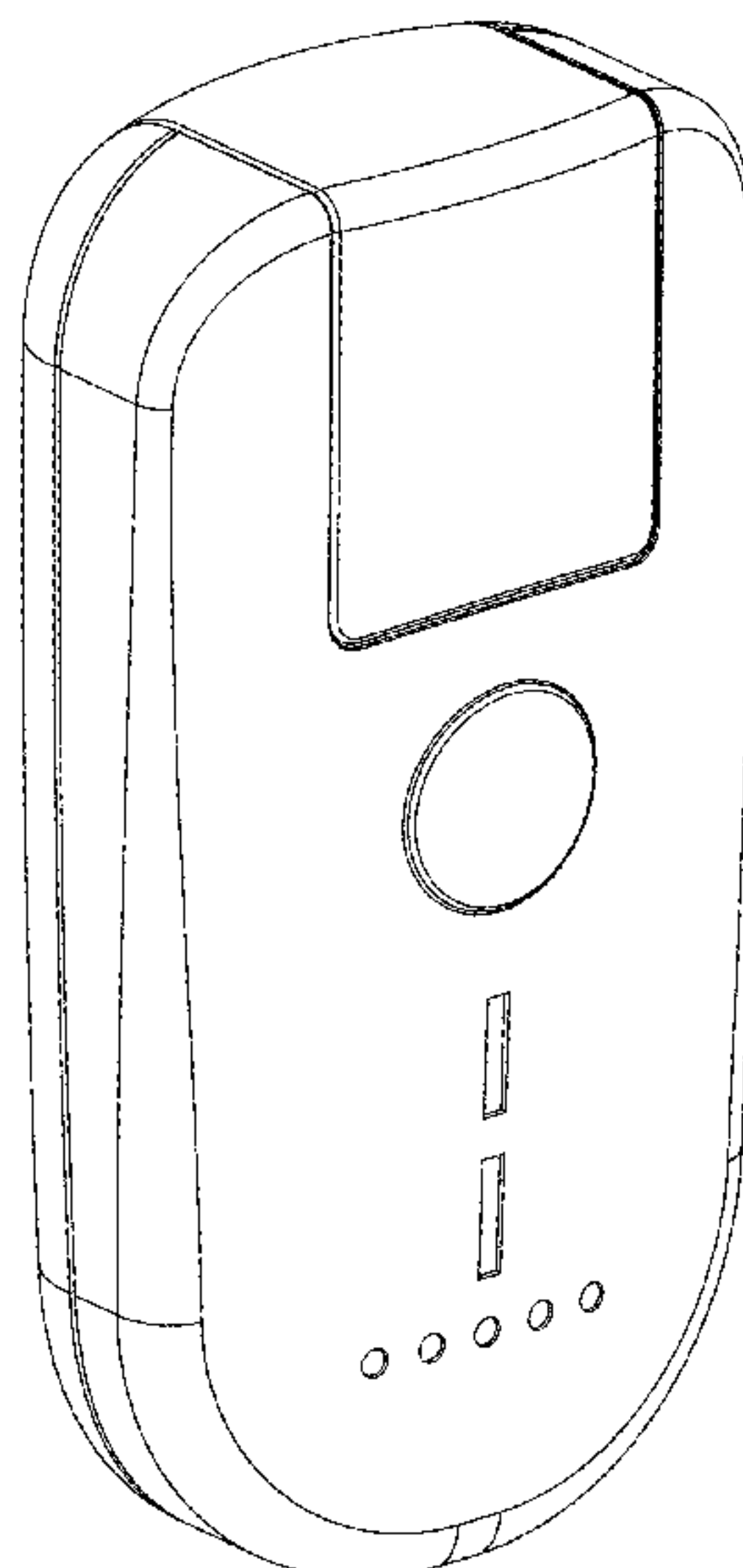
(56) **References Cited**

U.S. PATENT DOCUMENTS

3,366,749 A 1/1968 Ries
5,693,073 A 2/1997 Glick et al.
D739,035 S * 9/2015 Tavidian D24/200
D768,866 S * 10/2016 Shigeno D24/200
D826,420 S * 8/2018 Ackermann D24/215
D868,988 S * 12/2019 Lieberman D24/215
D907,791 S * 1/2021 Ackermann D24/215
D910,868 S * 2/2021 Stewart D24/215

FIG. 1 is a perspective view of an embodiment of a medical device;
FIG. 2 is a front view thereof;
FIG. 3 is a rear view thereof;
FIG. 4 is a top view thereof;
FIG. 5 is a bottom view thereof;
FIG. 6 is a right elevation view thereof; and,
FIG. 7 is a left elevation view thereof.

1 Claim, 7 Drawing Sheets



(56)

References Cited

U.S. PATENT DOCUMENTS

2017/0239459 A1* 8/2017 Loudin A61N 1/36014
2019/0070069 A1* 3/2019 Gertner A61H 23/02

FOREIGN PATENT DOCUMENTS

DE 102015209639 A1 12/2015
DE 202017102541 U1 5/2017
EP 3446745 A1 2/2019
JP 2005348815 A 12/2005
KR 20170111945 A 10/2017
KR 101866100 B1 6/2018
WO 2014028843 A1 2/2014
WO 2015030602 A1 3/2015
WO 2020245467 A1 6/2020
WO 2020245466 A1 12/2020

OTHER PUBLICATIONS

Search Report under Section 17(5), dated Nov. 5, 2020, in International Application No. PCT/EP2020/065867 (5 pages).

* cited by examiner

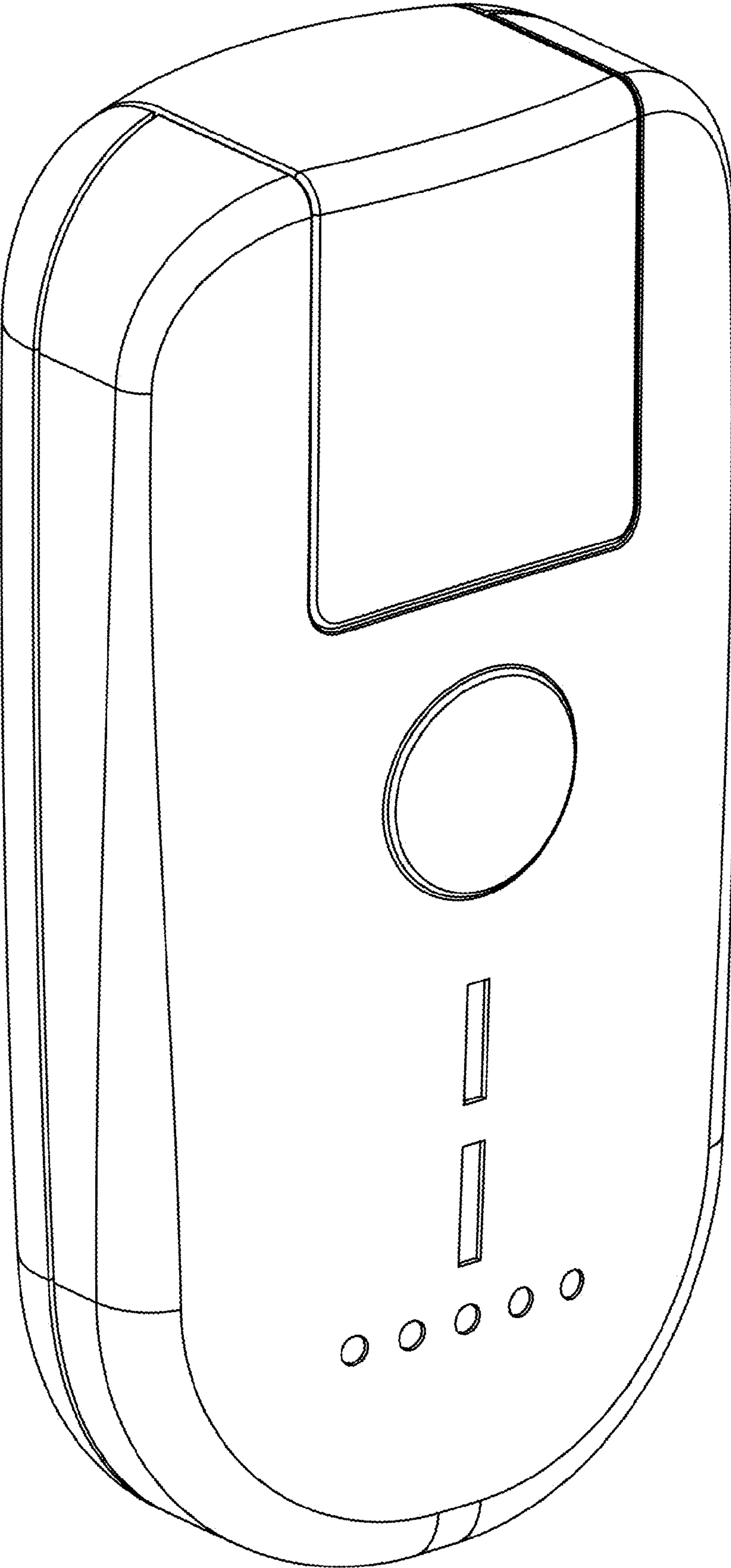


FIG. 1

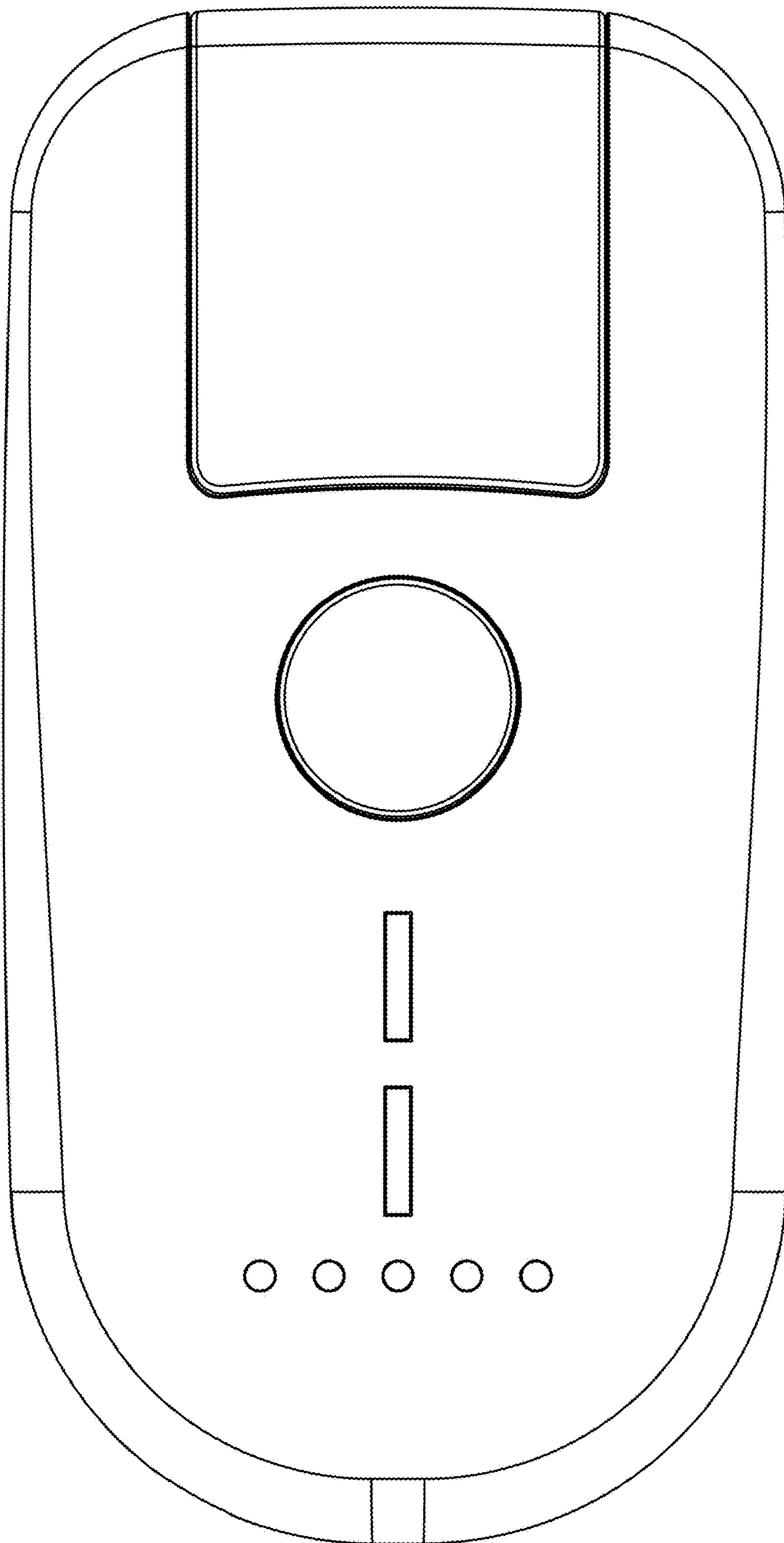


FIG. 2

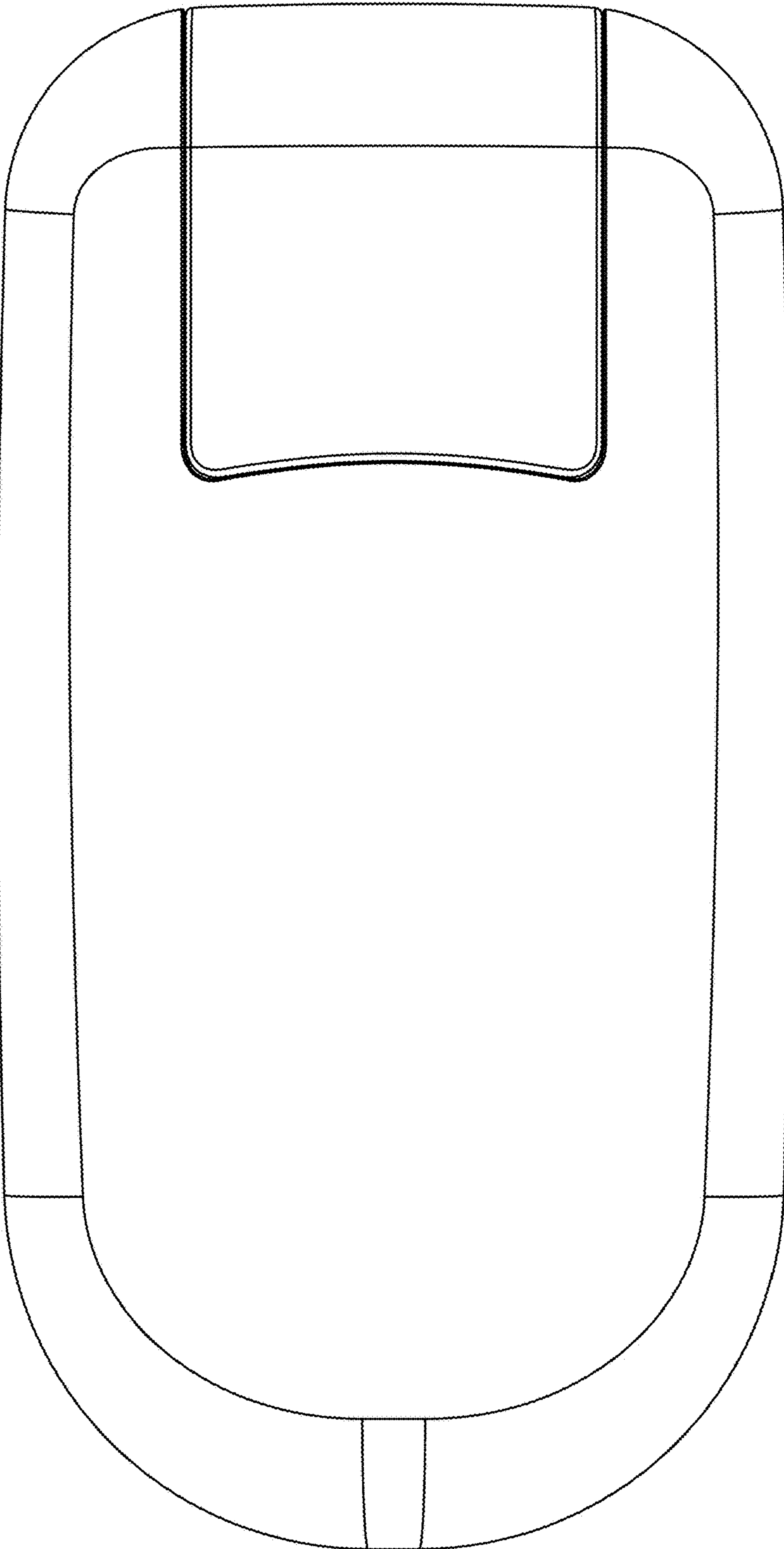


FIG. 3

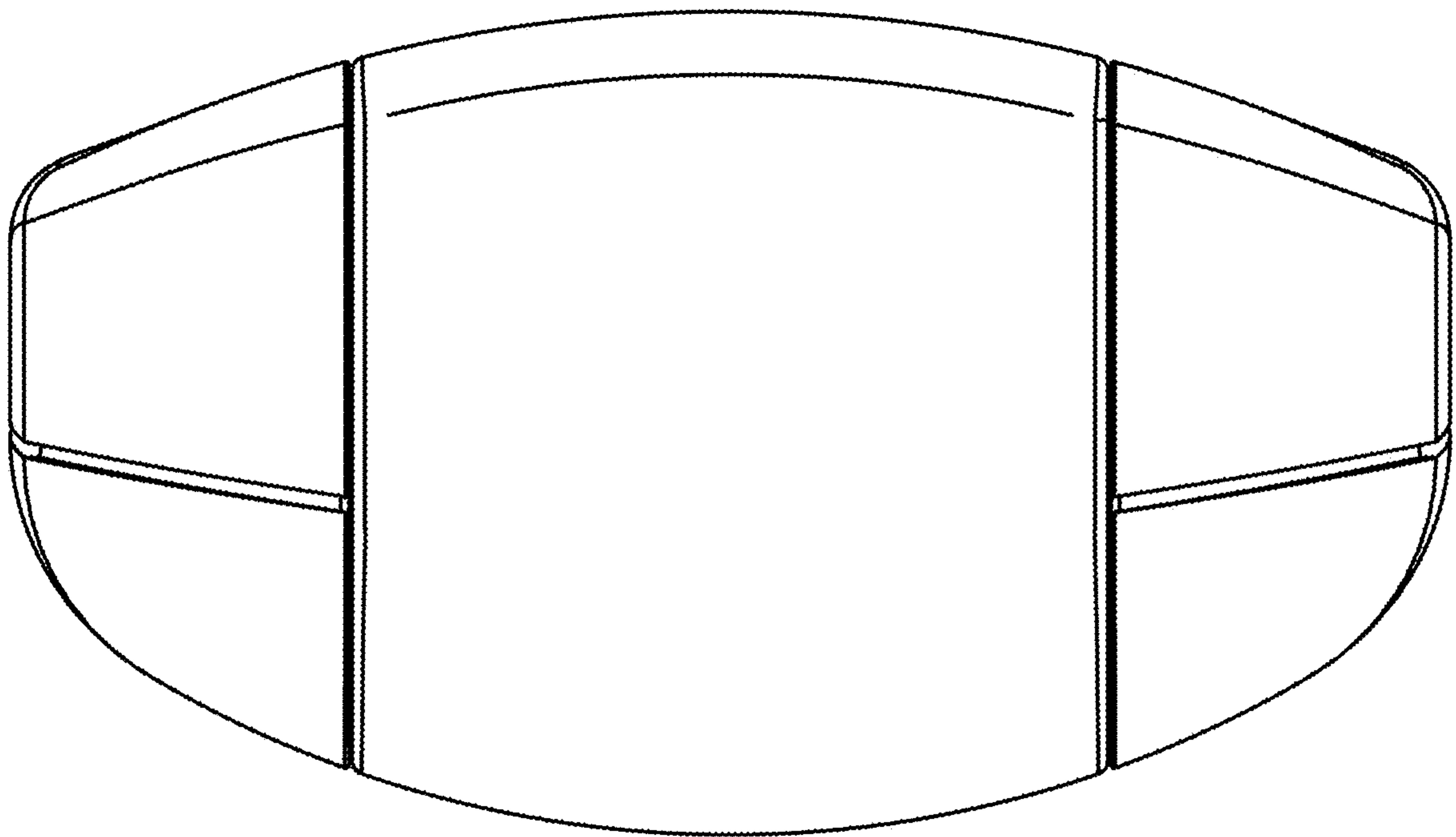


FIG. 4

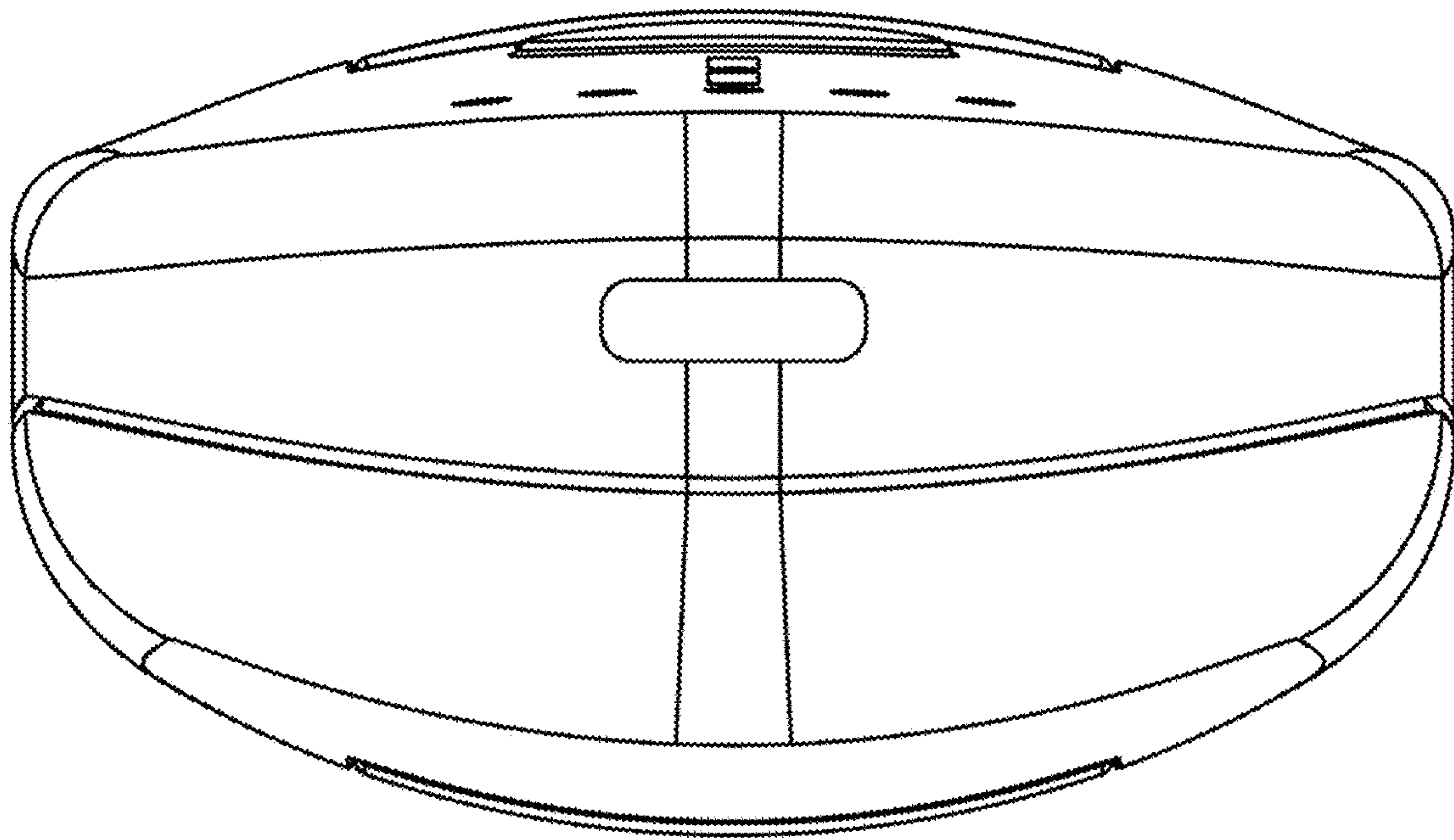


FIG. 5

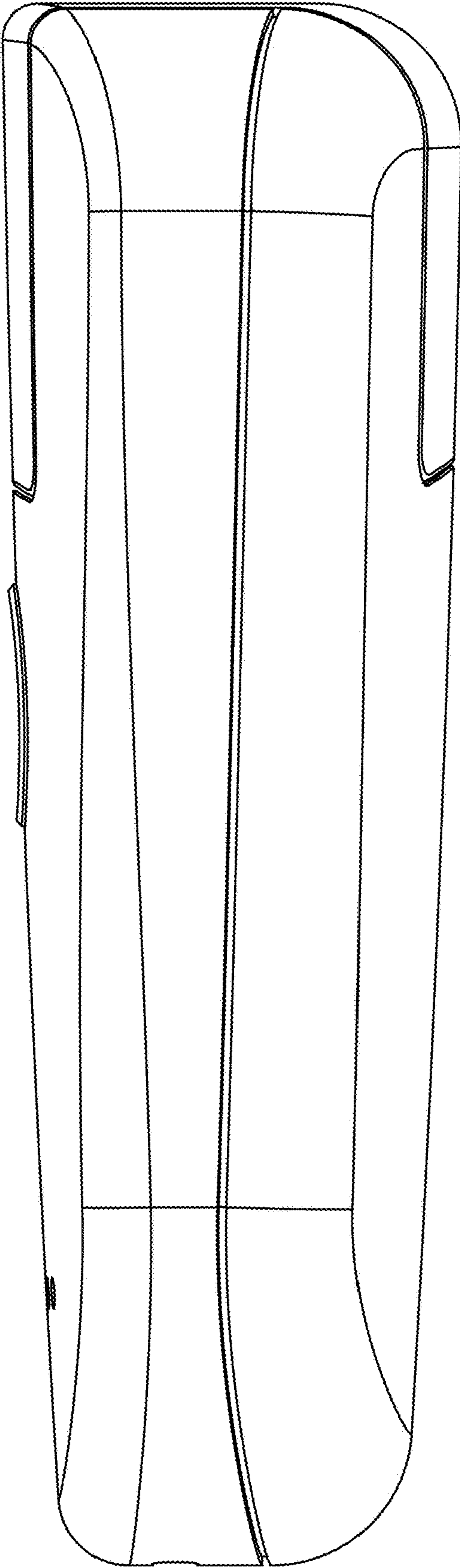


FIG. 6

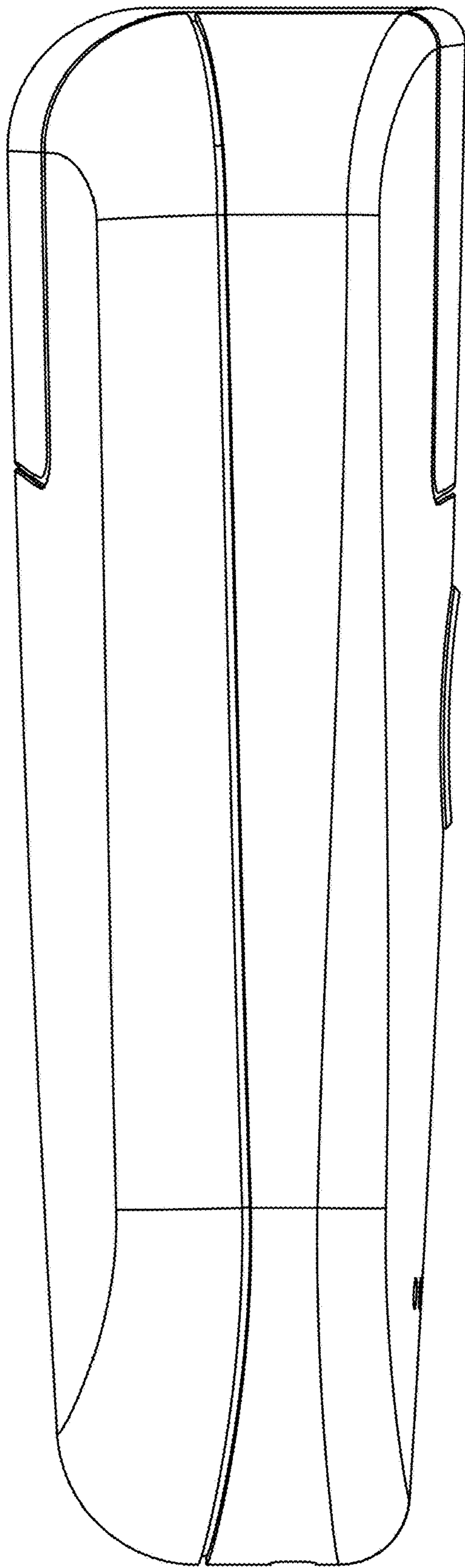


FIG. 7