



US00D963863S

(12) **United States Design Patent**
Pearen et al.

(10) **Patent No.:** **US D963,863 S**

(45) **Date of Patent:** **** Sep. 13, 2022**

(54) **BITE BLOCK**

- (71) Applicant: **Keen Products Inc.**, King City (CA)
- (72) Inventors: **Christopher J. Pearen**, Brampton (CA); **Gary Vilinsky**, King City (CA); **Robert G. Dickie**, King City (CA); **David Everett Huizenga**, Anderson, SC (US)
- (73) Assignee: **KEEN PRODUCTS INC.**
- (**) Term: **15 Years**
- (21) Appl. No.: **29/777,446**
- (22) Filed: **Apr. 6, 2021**

Related U.S. Application Data

- (63) Continuation-in-part of application No. 15/023,190, filed as application No. PCT/US2014/056404 on Sep. 18, 2014, now abandoned.
(Continued)
- (51) **LOC (13) Cl.** **24-02**
- (52) **U.S. Cl.**
USPC **D24/176**
- (58) **Field of Classification Search**
USPC D24/176-177, 180-182
(Continued)

(56) **References Cited**

U.S. PATENT DOCUMENTS

- 527,235 A 10/1894 Carpi
 - 4,975,057 A 12/1990 Dyfvermark
- (Continued)

FOREIGN PATENT DOCUMENTS

- FR 2952523 9/2011
- WO 2009138527 11/2009

OTHER PUBLICATIONS

International Search Report and Written Opinion of the International Searching Authority from International Application No. PCT/US2014/056404, dated Dec. 29, 2014, 12 pages.

Primary Examiner — Wan Laymon

(74) *Attorney, Agent, or Firm* — Sand, Sebolt & Wernow Co., LPA

(57) **CLAIM**

The ornamental design for a bite block, as shown and described.

DESCRIPTION

FIG. 1 is a top, front, right side isometric perspective view of a first embodiment of a bite block in accordance with our design;

FIG. 2 is a front elevation view of the bite block of FIG. 1;

FIG. 3 is a rear elevation view of the bite block of FIG. 1;

FIG. 4 is a top plan view of the bite block of FIG. 1;

FIG. 5 is a bottom plan view of the bite block of FIG. 1;

FIG. 6 is a right side elevation view of the bite block of FIG. 1; and

FIG. 7 is a left side elevation view of the bite block of FIG. 1;

FIG. 8 is a top, front, right side isometric perspective view of a second embodiment of a bite block in accordance with our design;

FIG. 9 is a front elevation view of the bite block of FIG. 8;

FIG. 10 is a rear elevation view of the bite block of FIG. 8;

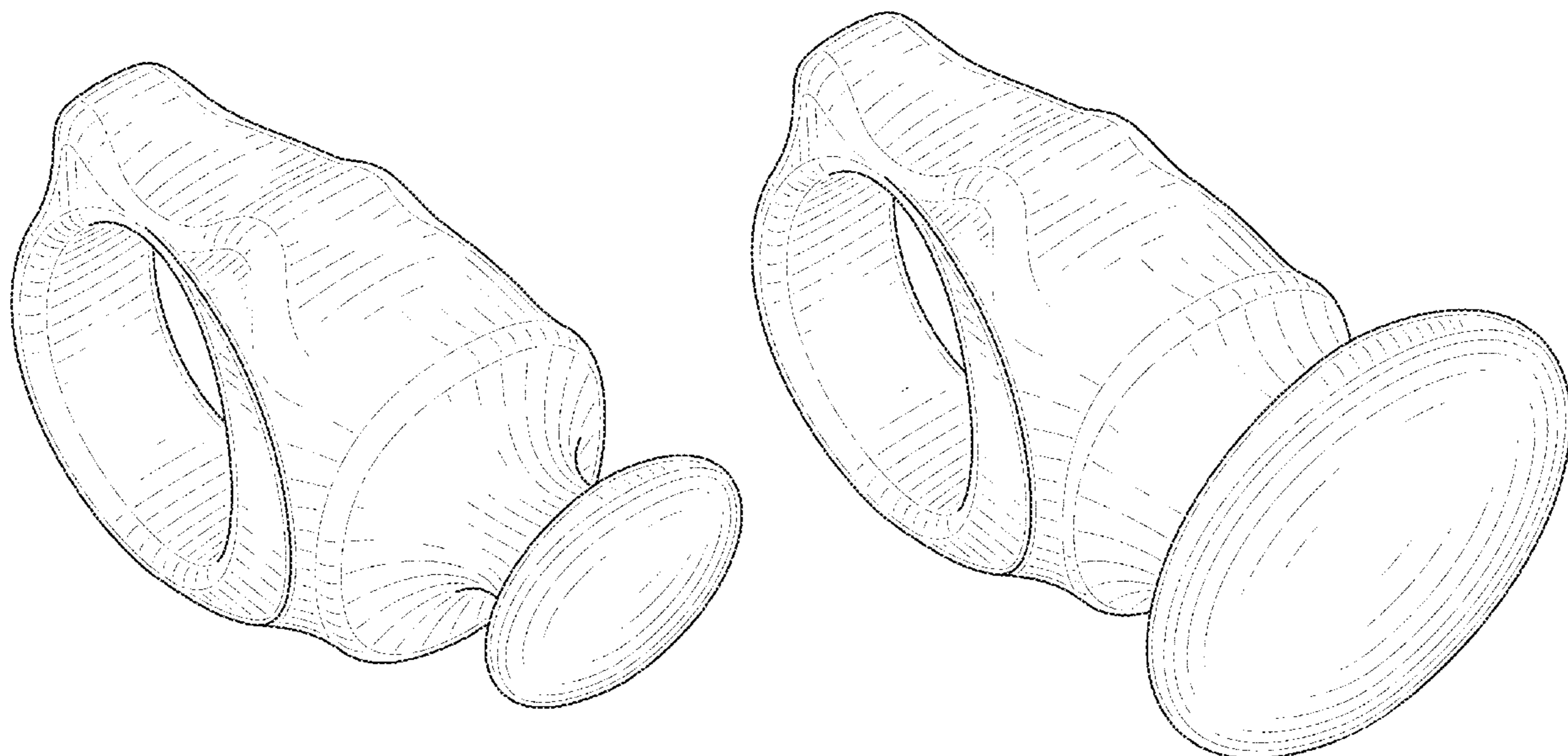
FIG. 11 is a top plan view of the bite block of FIG. 8;

FIG. 12 is a bottom plan view of the bite block of FIG. 8;

FIG. 13 is a right side elevation view of the bite block of FIG. 8; and,

FIG. 14 is a left side elevation view of the bite block of FIG. 8.

1 Claim, 8 Drawing Sheets



Related U.S. Application Data

(60) Provisional application No. 61/879,457, filed on Sep. 18, 2013.

(58) **Field of Classification Search**
 CPC A61M 16/0488; A61M 16/049; A61M 16/0495; A61M 16/0493; A61D 15/00; A61D 7/00

See application file for complete search history.

(56) **References Cited**

U.S. PATENT DOCUMENTS

5,205,733 A 4/1993 Scheels
 5,347,996 A 9/1994 Huan
 5,477,431 A 12/1995 Curameng, Jr.
 5,769,635 A 6/1998 Eldreth
 5,911,197 A 6/1999 Schmid
 5,993,413 A 11/1999 Aaltonen et al.

D420,447 S 2/2000 Rohrig
 6,241,521 B1 6/2001 Garrison
 6,267,591 B1 7/2001 Barstow
 6,721,959 B1 4/2004 Hairston
 6,743,017 B2 6/2004 O'Neil
 7,066,735 B1 6/2006 Gasporra
 D531,314 S 10/2006 Atkinson et al.
 8,146,601 B2 * 4/2012 James, Jr. A61M 16/0493
 128/203.29
 D685,485 S 7/2013 Swern et al.
 D883,493 S * 5/2020 Wallis D24/176
 D917,051 S * 4/2021 Kauffman D24/176
 2002/0189613 A1 12/2002 Fitton
 2006/0110705 A1 5/2006 Jensen et al.
 2010/0083970 A1 4/2010 Beely et al.
 2010/0297579 A1 11/2010 Beloff
 2011/0244417 A1 10/2011 Hilsen et al.
 2016/0242885 A1 * 8/2016 Dickie A61D 15/00
 2021/0220104 A1 * 7/2021 Pearen A61D 15/00

* cited by examiner

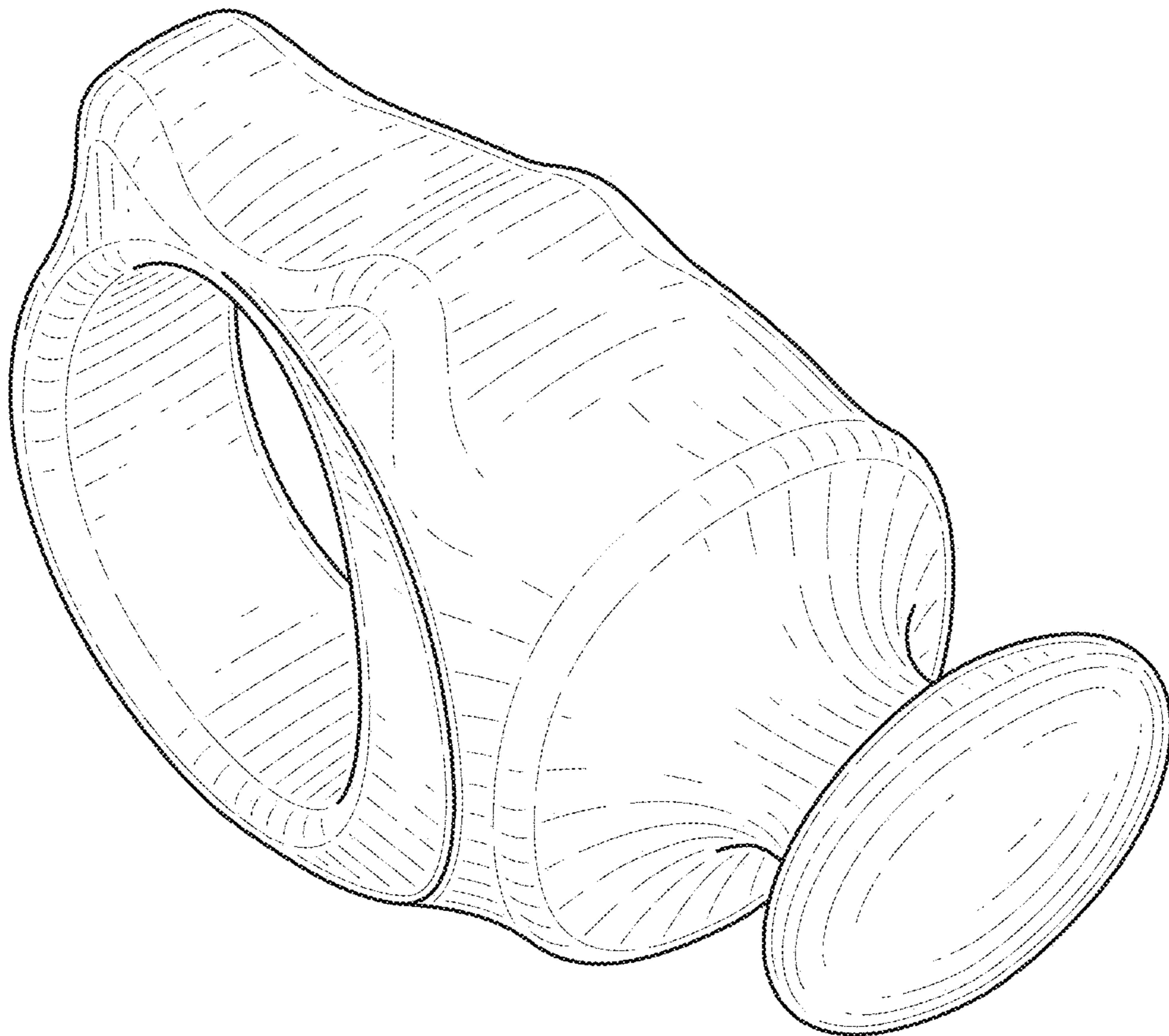


FIG. 1

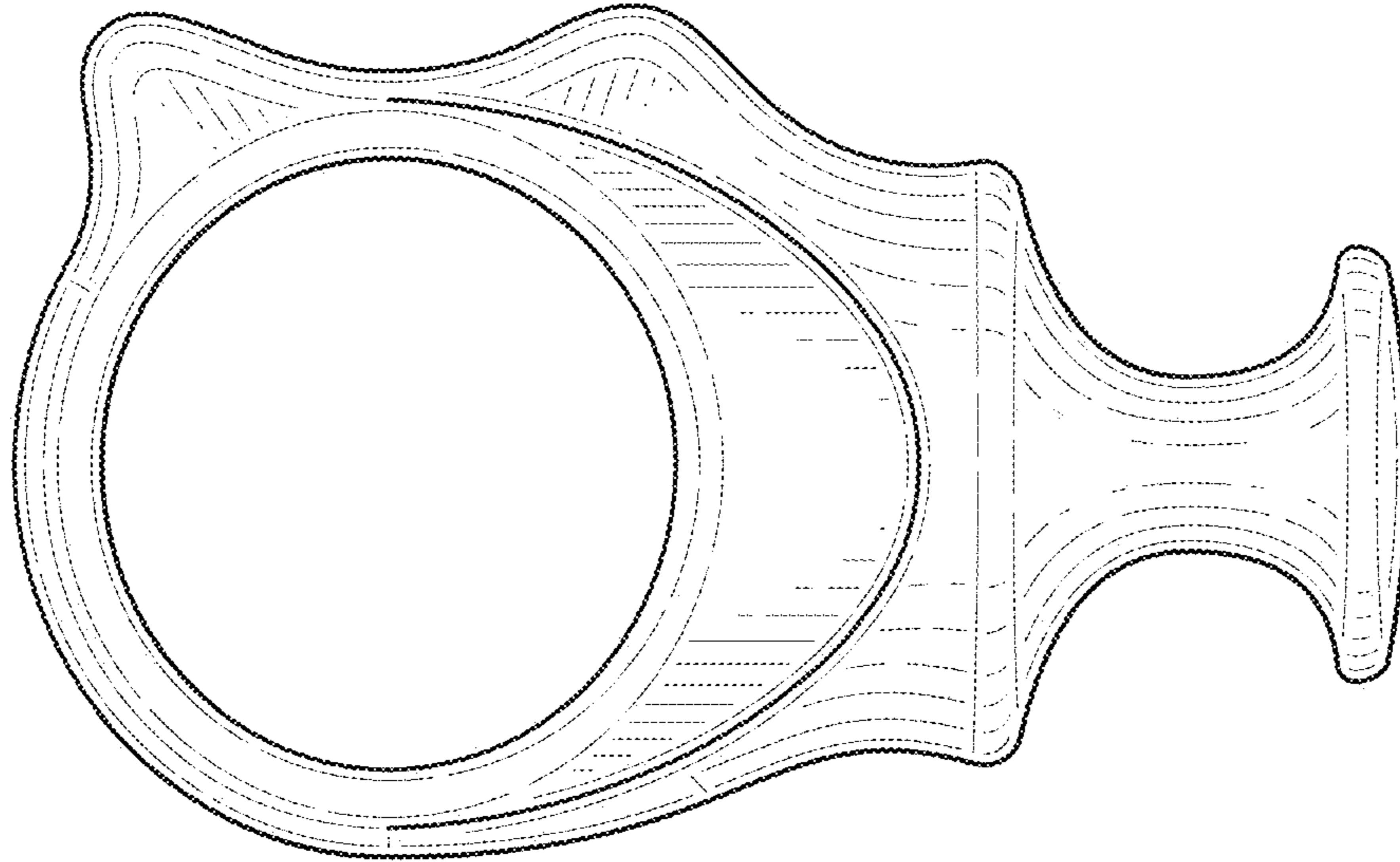


FIG. 2

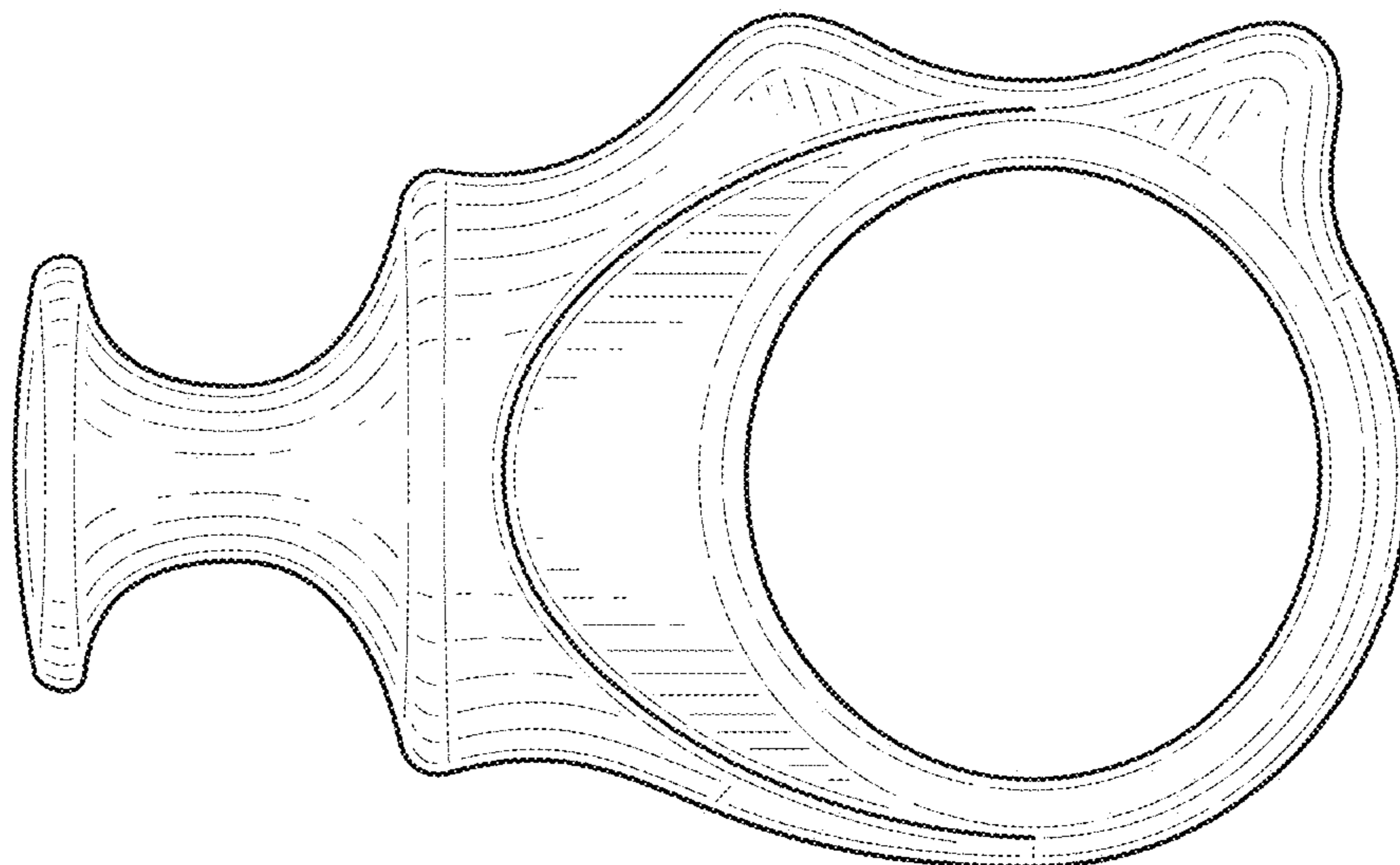


FIG. 3

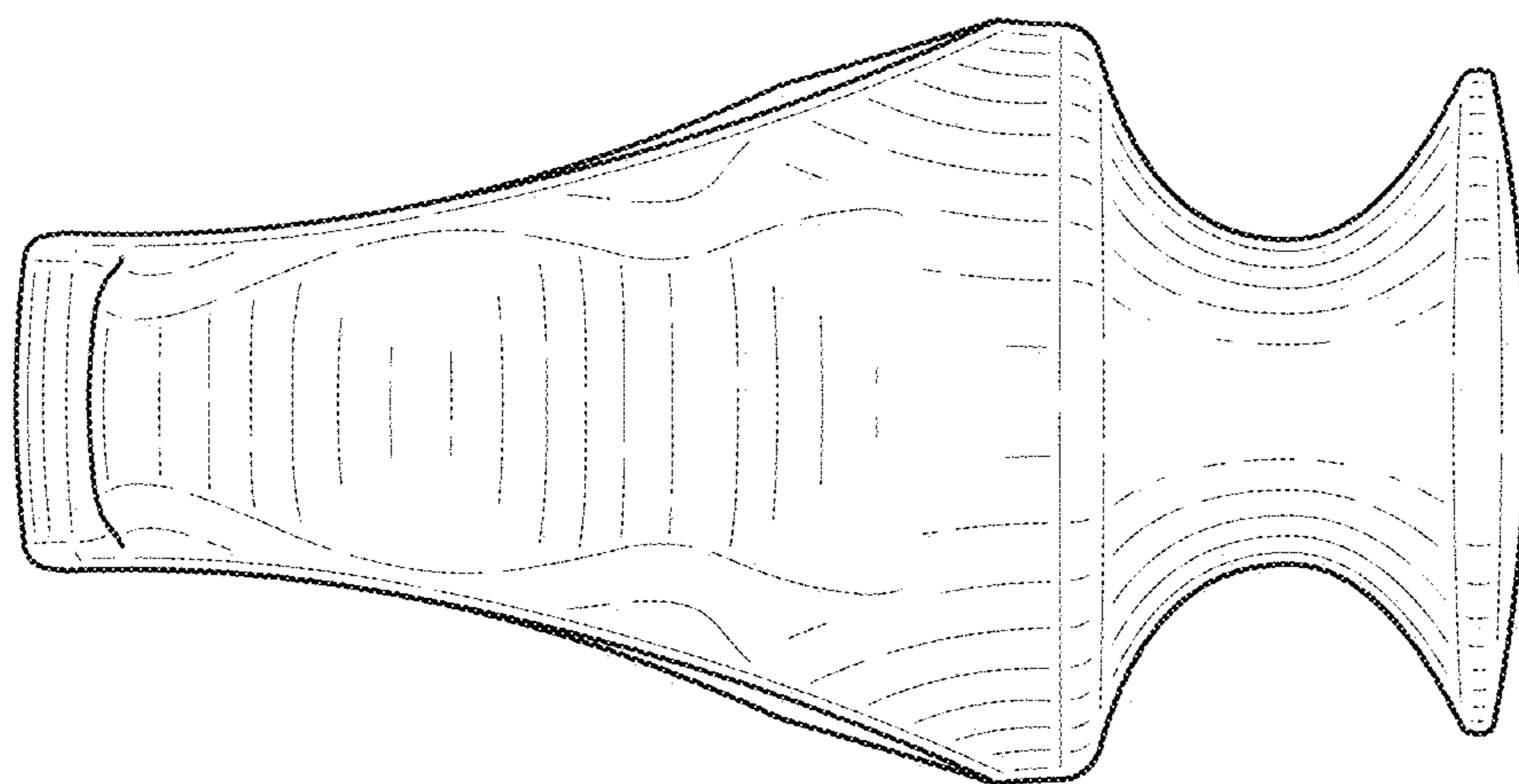


FIG. 4

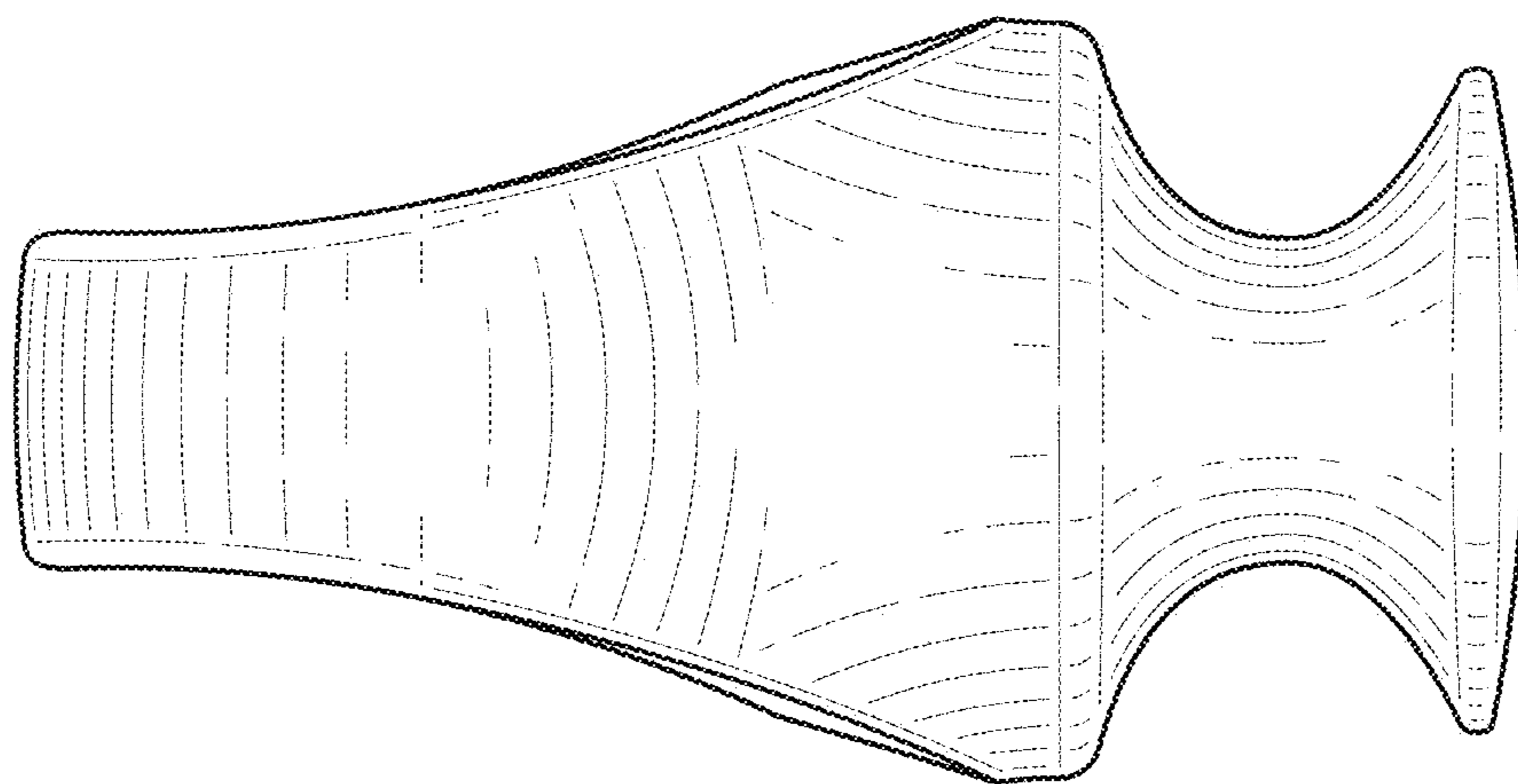


FIG. 5

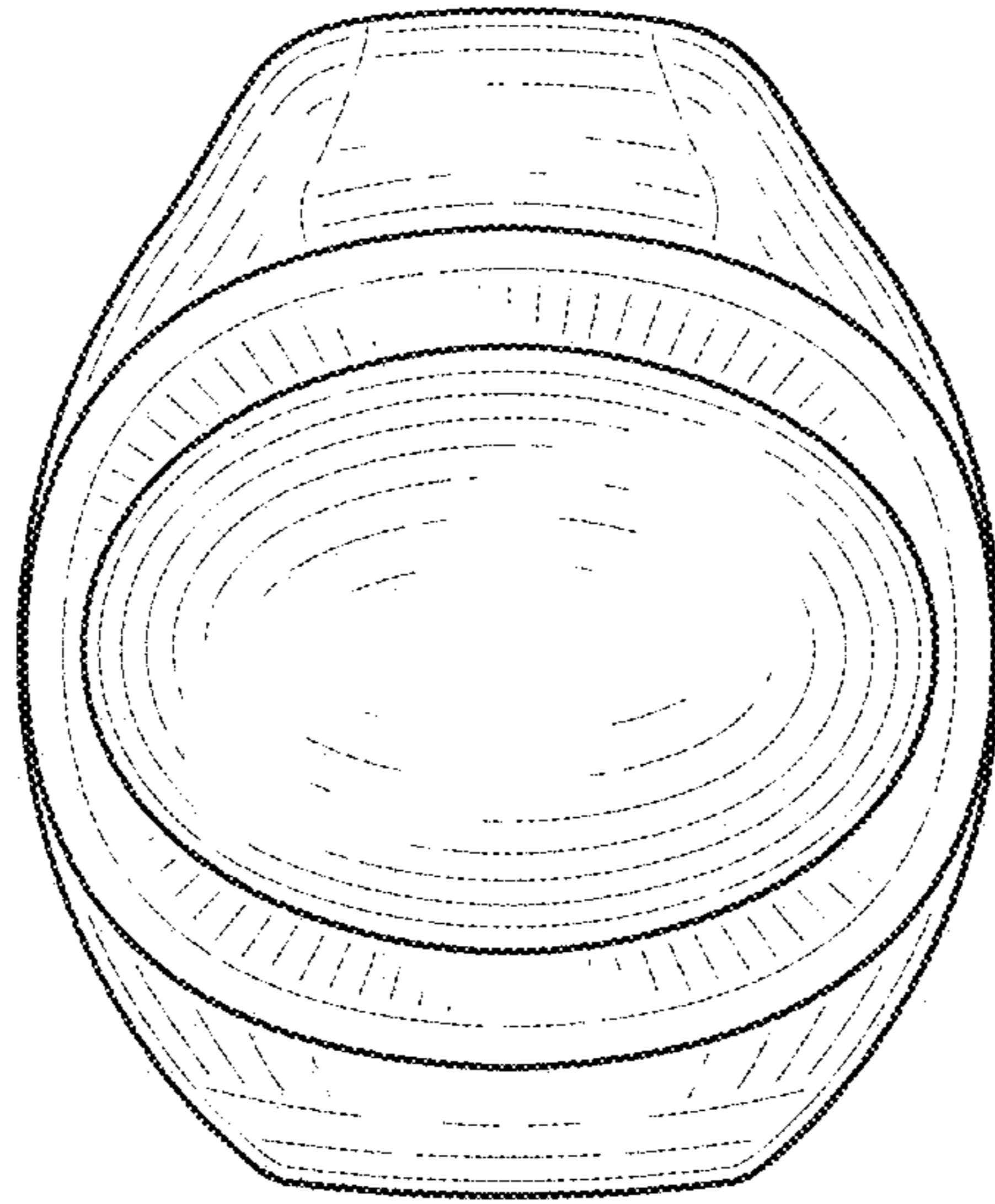


FIG. 6

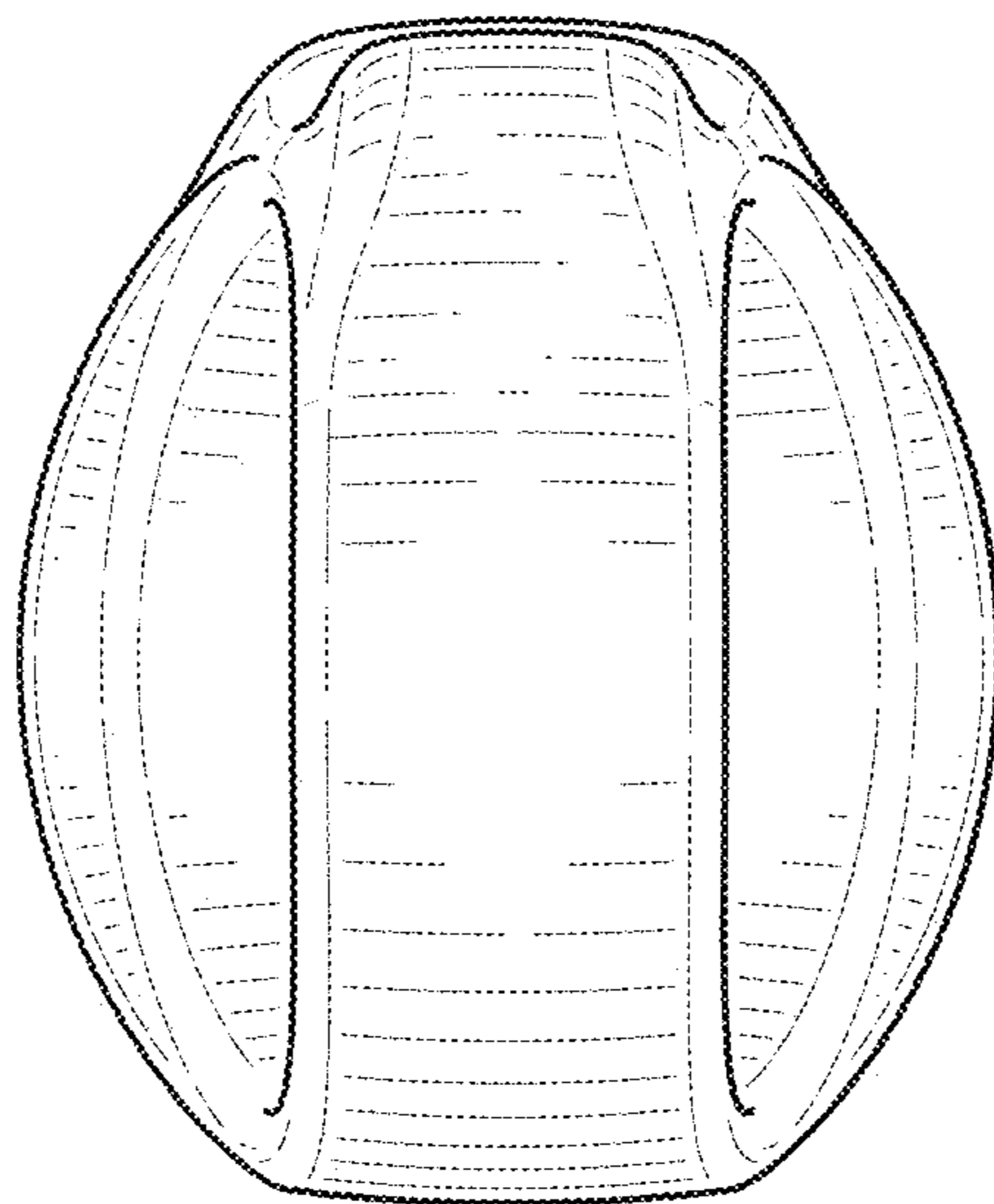


FIG. 7

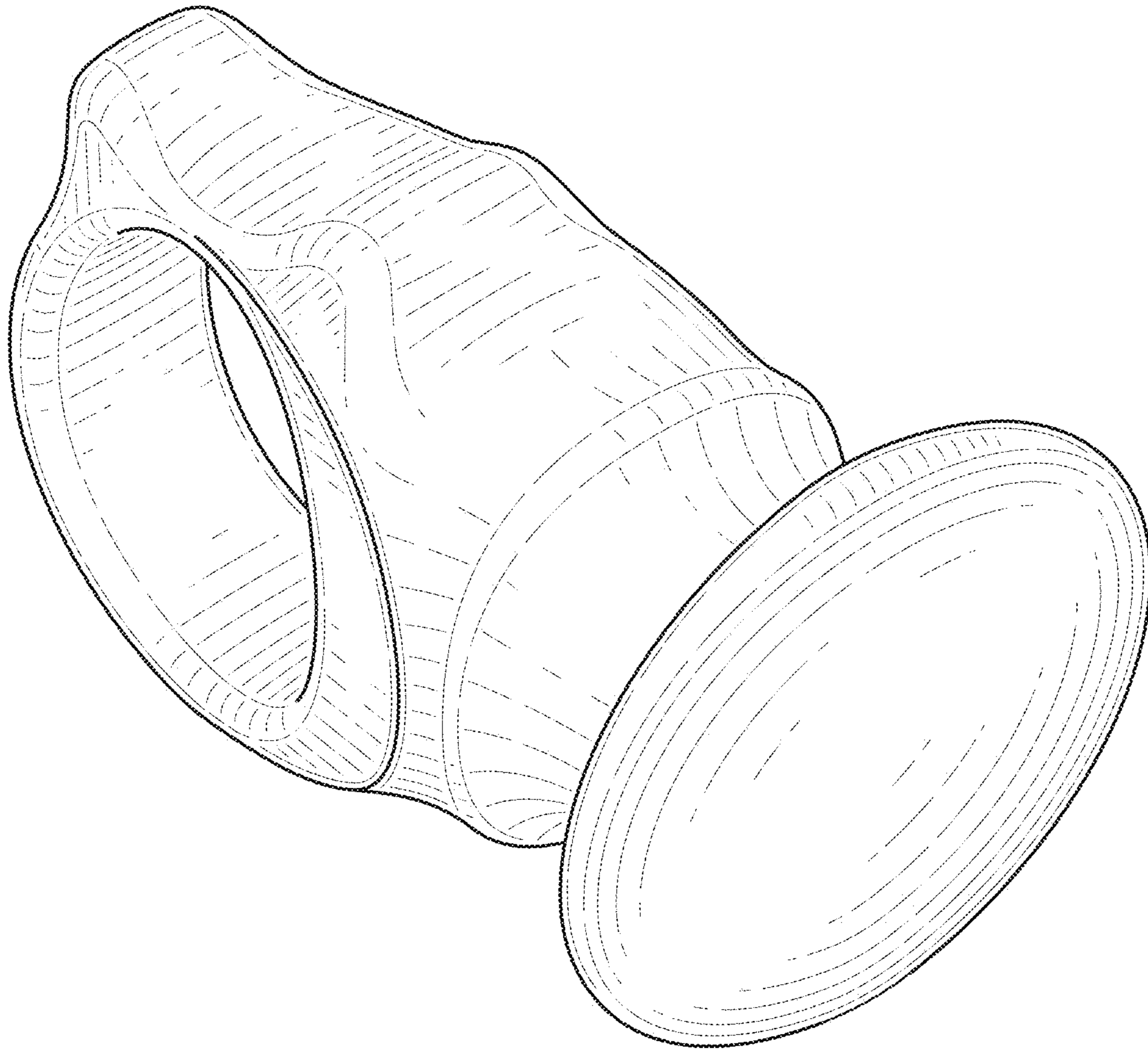


FIG. 8

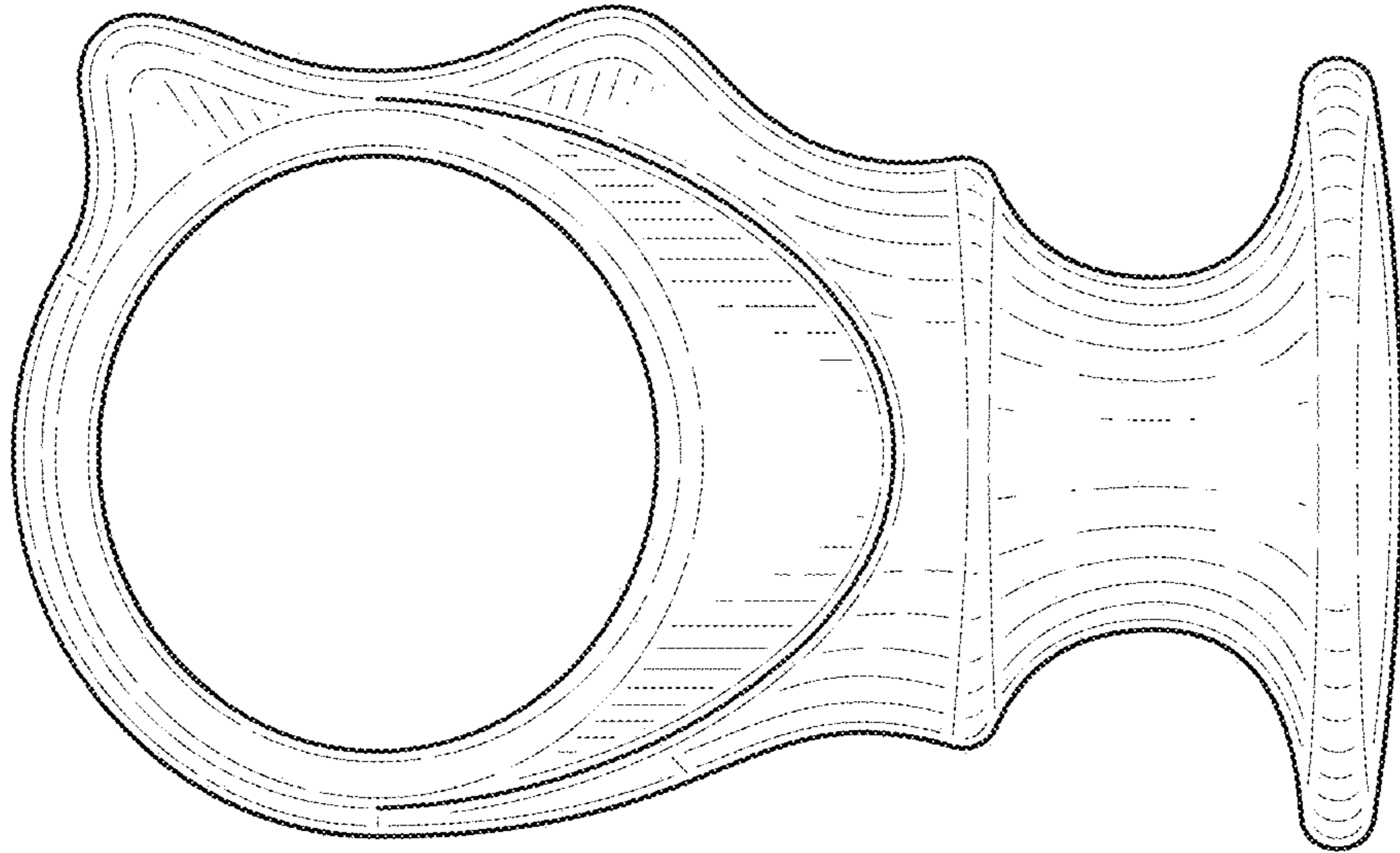


FIG. 9

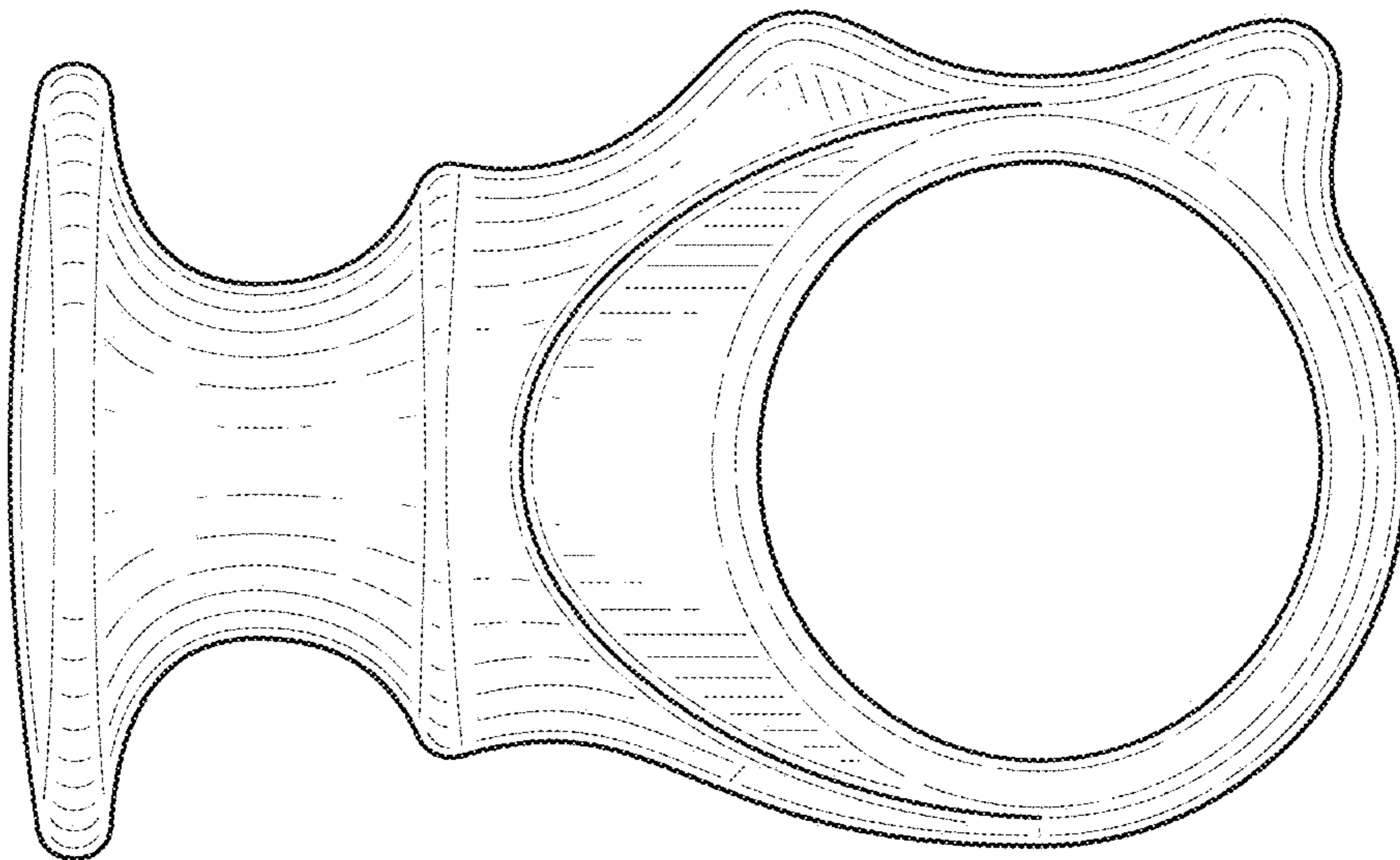


FIG. 10

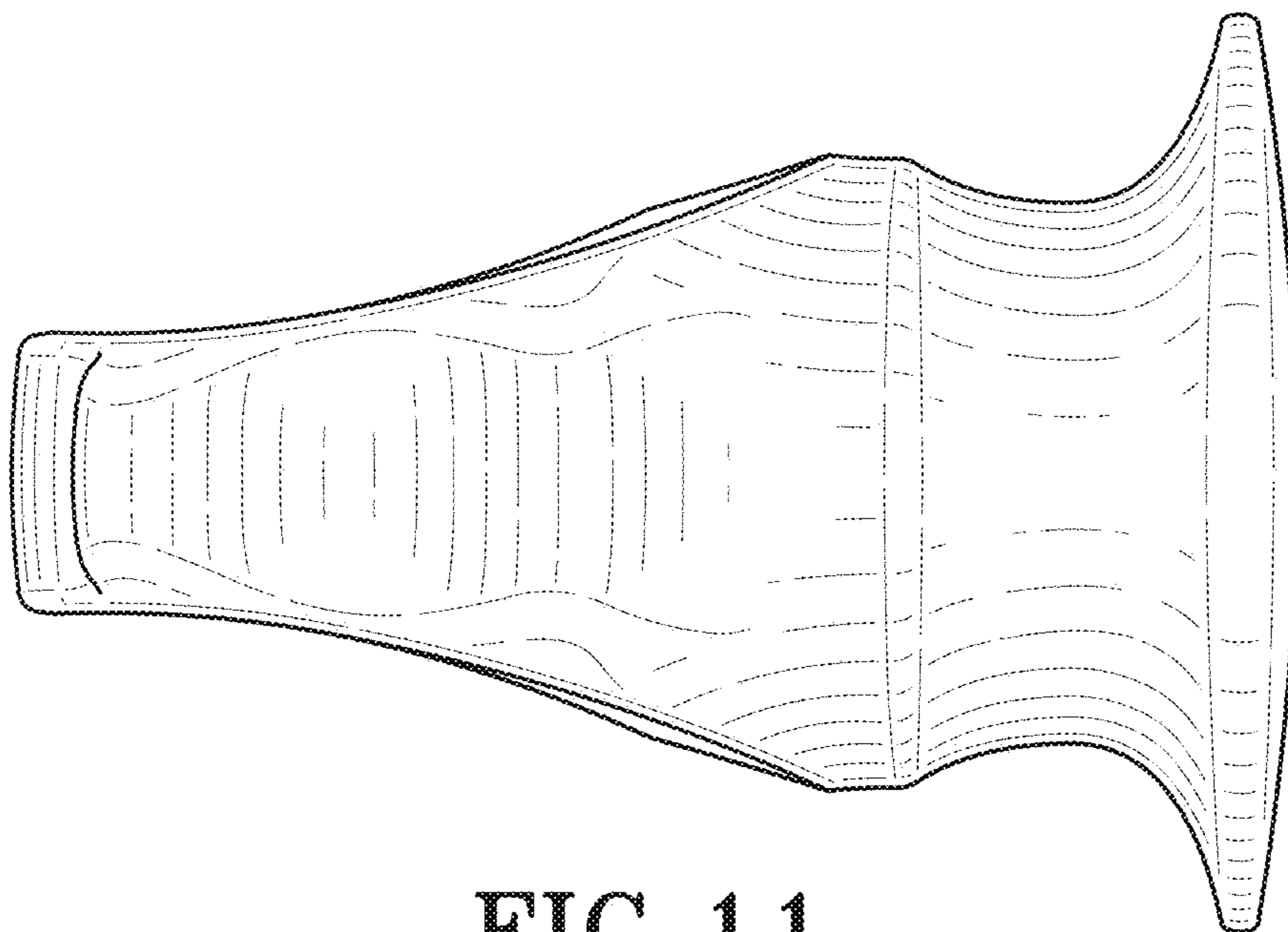


FIG. 11

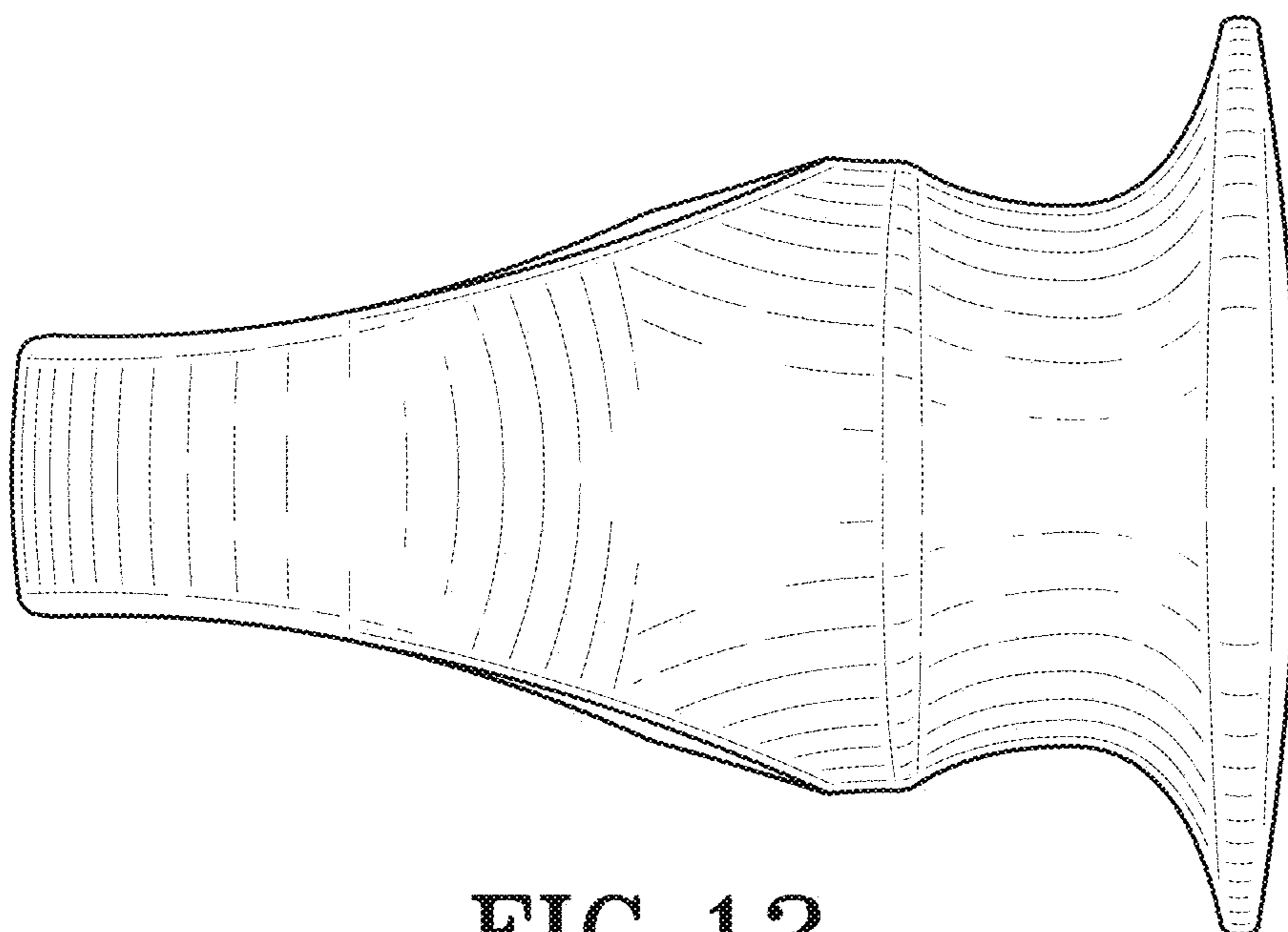


FIG. 12

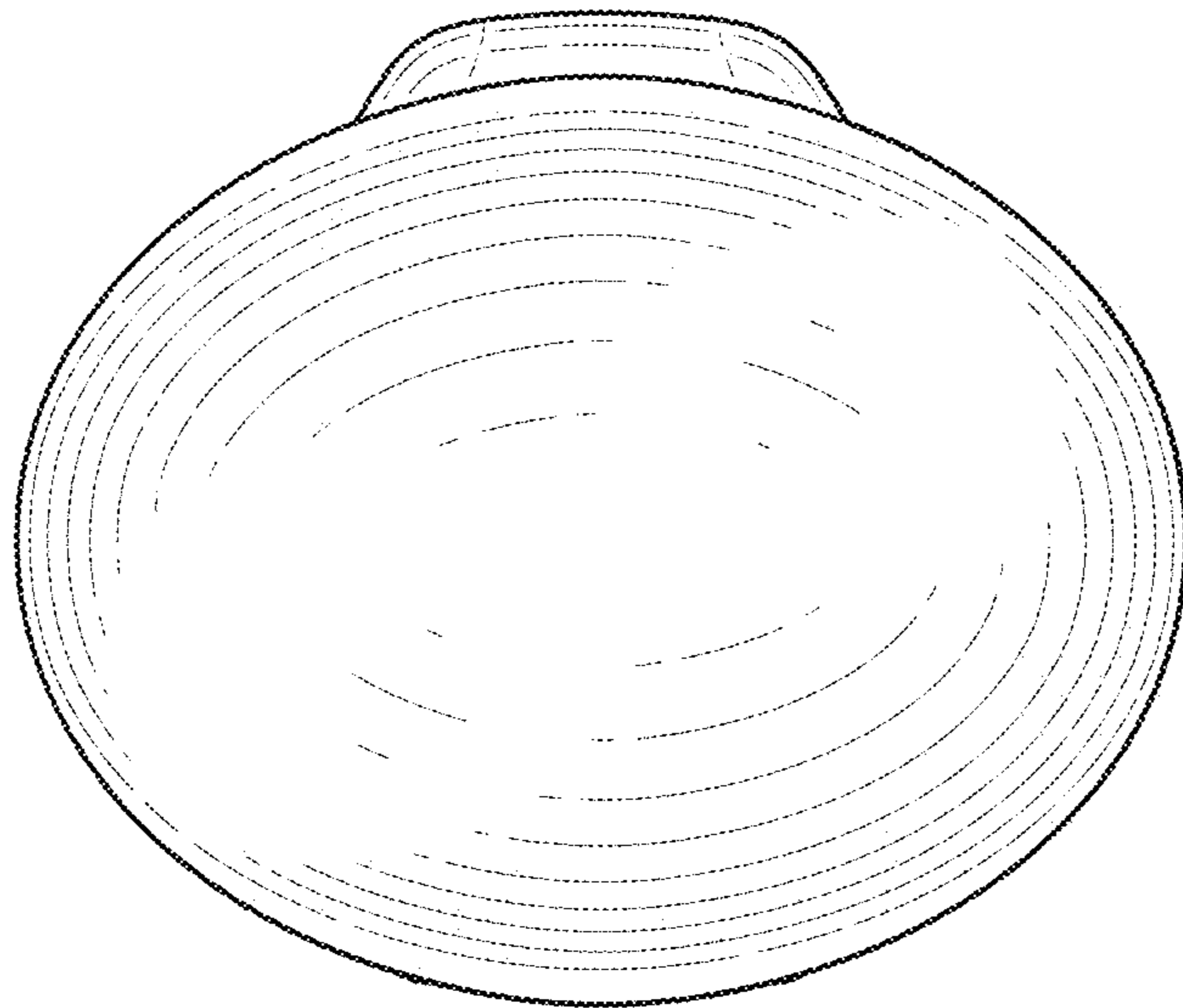


FIG. 13

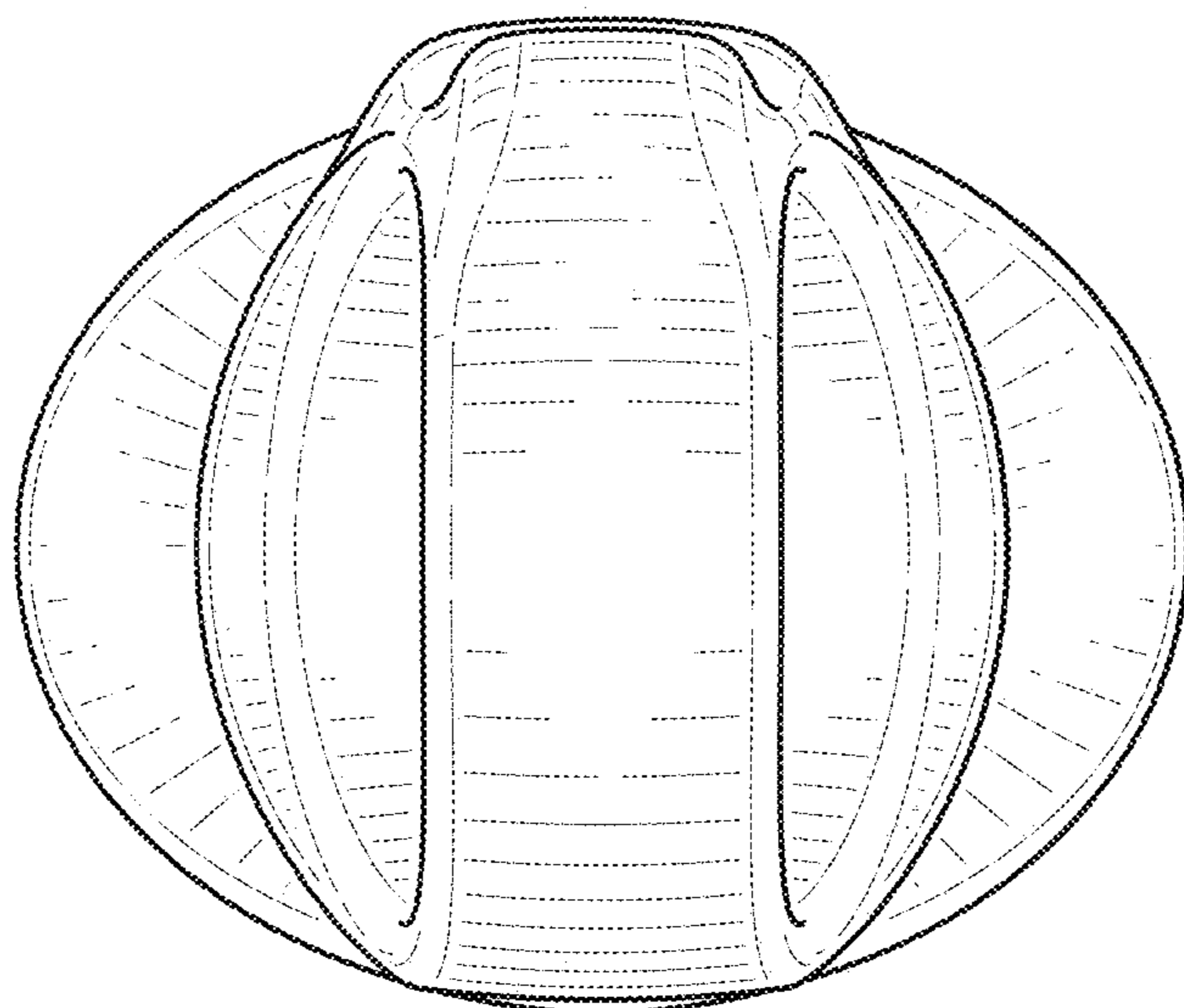


FIG. 14