



US00D963862S

(12) **United States Design Patent**
Desanti et al.

(10) **Patent No.:** **US D963,862 S**
(45) **Date of Patent:** **** Sep. 13, 2022**

(54) **STRIP OF BARRIER ENVELOPES**

OTHER PUBLICATIONS

- (71) Applicant: **Dr. Howard S. Glazer Consulting LLC**, Paramus, NJ (US)
- (72) Inventors: **Frederick Desanti**, Huntington Station, NY (US); **Michael Desanti**, Huntington Station, NY (US); **Howard S. Glazer**, Paramus, NJ (US)
- (73) Assignee: **Dr. Howard S. Glazer Consulting LLC**, Paramus, NJ (US)
- (**) Term: **15 Years**

Amazon.com: 300PCS Dental Barrier Envelopes, Disposable X-ray Film Protective Bag for Phosphor Plate Dental Digital X-Ray. Product available on Nov. 21, 2018. Retrieved from internet on Apr. 6, 2022 at: https://www.amazon.com/Barrier-Envelopes-Disposable-Protective-Phosphor/dp/B07KR3PT46?th=1.*

(Continued)

Primary Examiner — Anhdao Doan
(74) *Attorney, Agent, or Firm* — Collard & Roe, P.C.

- (21) Appl. No.: **29/798,096**
- (22) Filed: **Jul. 6, 2021**
- (51) **LOC (13) Cl.** **24-01**
- (52) **U.S. Cl.**
USPC **D24/161**
- (58) **Field of Classification Search**
USPC D24/107, 158–161, 185, 186, 176;
D14/481, 482; D19/2, 3, 75; D9/702;
D3/233
CPC A61B 6/4283; A61B 6/4423; A61B 6/14;
G03C 3/003; G03B 42/04
See application file for complete search history.

(57) **CLAIM**

The ornamental design for a strip of barrier envelopes, as shown and described.

DESCRIPTION

FIG. 1 is a front and top perspective view of a strip of barrier envelopes, showing our new design, wherein the envelopes are open along the top edge thereof; FIG. 2 is a front view thereof; FIG. 3 is a rear view thereof; FIG. 4 is a top view thereof; FIG. 5 is a bottom view thereof; and, FIG. 6 is an enlarged view of Section VI of FIG. 1, showing the front surface cut away from one envelope for ease of illustration, to show an adhesive strip along the interior section of the open top end, which is visible during use of the envelopes.

The strip of barrier envelopes is shown with a symbolic break in its length. The appearance of any portion of the article outside of the dash-dot lines along both ends of the strip form no part of the claimed design. The dash-dot lines of section VI in FIG. 1 indicate the enlarged view of FIG. 6 and are not part of the claimed design. The broken lines between the individual envelopes indicate perforations that form part of the claimed design.

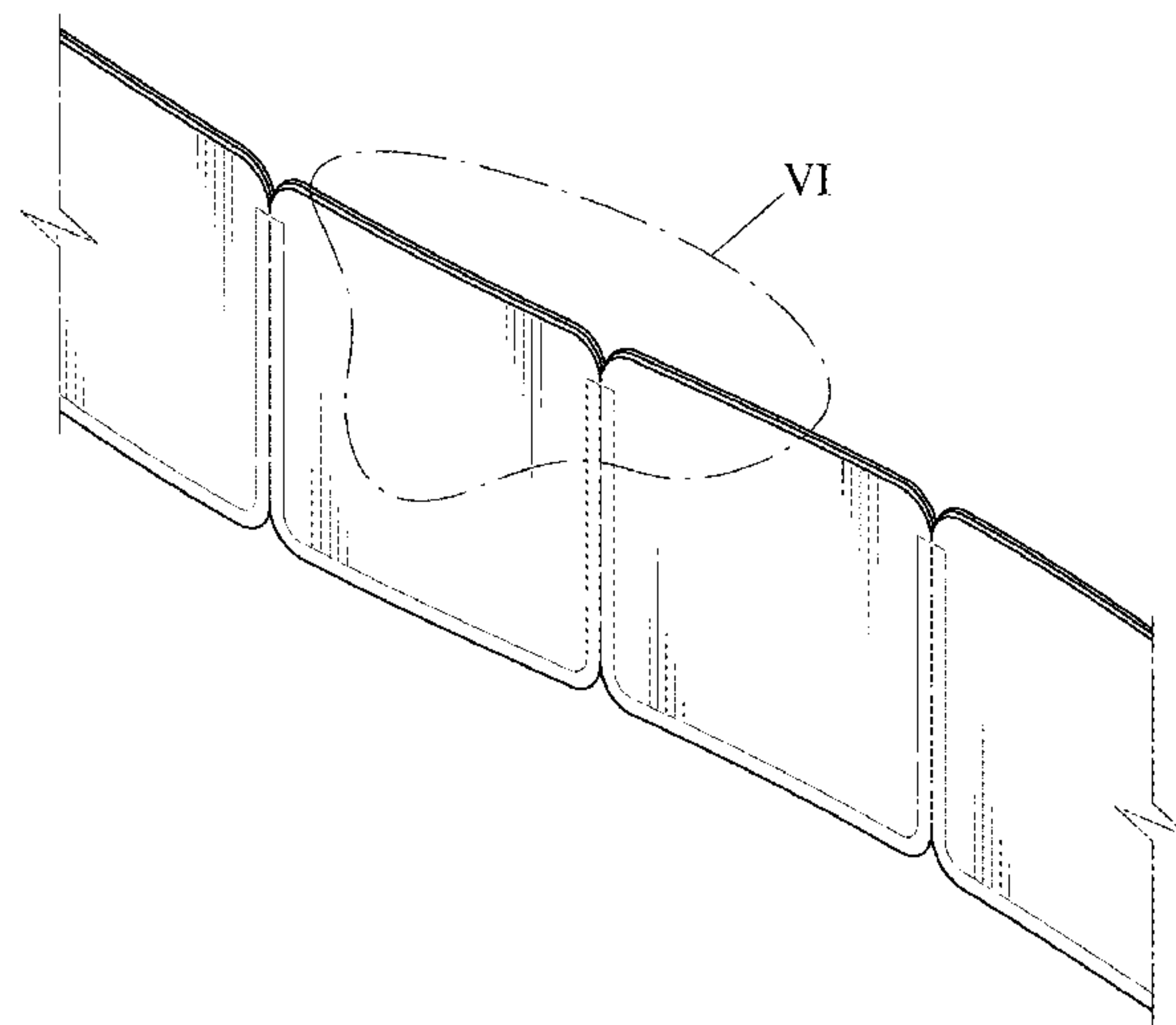
(56) **References Cited**

U.S. PATENT DOCUMENTS

1,840,719 A *	1/1932	Hutchinson	G03B 21/64 40/709
2,715,493 A	8/1955	Vogt		
2,771,214 A	11/1956	Lefebvre		
3,119,015 A	1/1964	Kollock		
3,161,347 A	12/1964	Hannon		
3,250,385 A	5/1966	Timms		
3,785,483 A	1/1974	Sillay		
D230,516 S *	2/1974	Yanagawa	D14/482
3,835,992 A	9/1974	Adams, IV		
3,941,246 A	3/1976	Duden		
4,060,168 A	11/1977	Romagnoli		

(Continued)

1 Claim, 2 Drawing Sheets



(56)

References Cited

U.S. PATENT DOCUMENTS

D273,591 S * 4/1984 Freeman D14/482
 4,844,256 A 7/1989 Honegger
 5,077,779 A * 12/1991 Steinhausen, Jr. G03C 3/003
 378/167
 D358,591 S * 5/1995 Radel D14/482
 D387,866 S * 12/1997 Patterson D24/161
 D407,158 S * 3/1999 Rubinstein D24/161
 6,216,870 B1 4/2001 Welp
 D481,067 S * 10/2003 Haas D19/1
 D483,405 S * 12/2003 Bratter D19/99
 D546,453 S * 7/2007 McNair, Jr. D24/161
 7,264,119 B2 9/2007 Navickas
 D656,614 S * 3/2012 Stinson D24/161
 8,157,443 B2 4/2012 Khan
 D715,939 S * 10/2014 Philipps D24/158
 2002/0130060 A1 9/2002 Carson et al.
 2005/0232575 A1 10/2005 Koren
 2006/0233467 A1 10/2006 Mize, Jr.
 2008/0017539 A1 1/2008 Alzner et al.
 2008/0157003 A1 7/2008 Hirai
 2008/0292225 A1 11/2008 Dayrit et al.
 2008/0296193 A1 12/2008 Haskin et al.

2009/0116768 A1 5/2009 Huerta et al.
 2009/0136003 A1 * 5/2009 Gestetner A61B 6/4423
 378/189
 2018/0028131 A1 * 2/2018 Brenner A61B 6/44
 2019/0300271 A1 10/2019 Desanti et al.

OTHER PUBLICATIONS

Safe'n'Sure #2 Phosphor Plate Barrier Envelopes. Box of 300. By Flow Dental. Customer reviewed on Nov. 2, 2018. Retrieved from internet on Apr. 6, 2022 at: <https://www.net32.com/ec/safensure-2-phosphor-plate-barrier-envelopes-300-d-75946#customer-reviews>.*

House Brand #2 D-57 Speed D periapical X-Ray film in a 2-film packet 130/Bx. By House Band. Customer reviewed on Dec. 21, 2016. Retrieved from internet on Apr. 6, 2022 at: https://www.net32.com/ec/house-brand-2-d57-speed-d-periapical-d-142688?utm_source=google&utm_medium=cpc&adpos=&scid=scplp142688&sc_i.*

Amazon. Lolicute 500pcs Barrier Envelopes for Phosphor Plate Dental Digital X-Ray Size 0/1/2# (0#). Product first available on Apr. 10, 2019. Retrieved from internet on May 30, 2022 at: <https://www.amazon.com/dp/B07QHB5Q31?tag=renganathb-20>.*

* cited by examiner

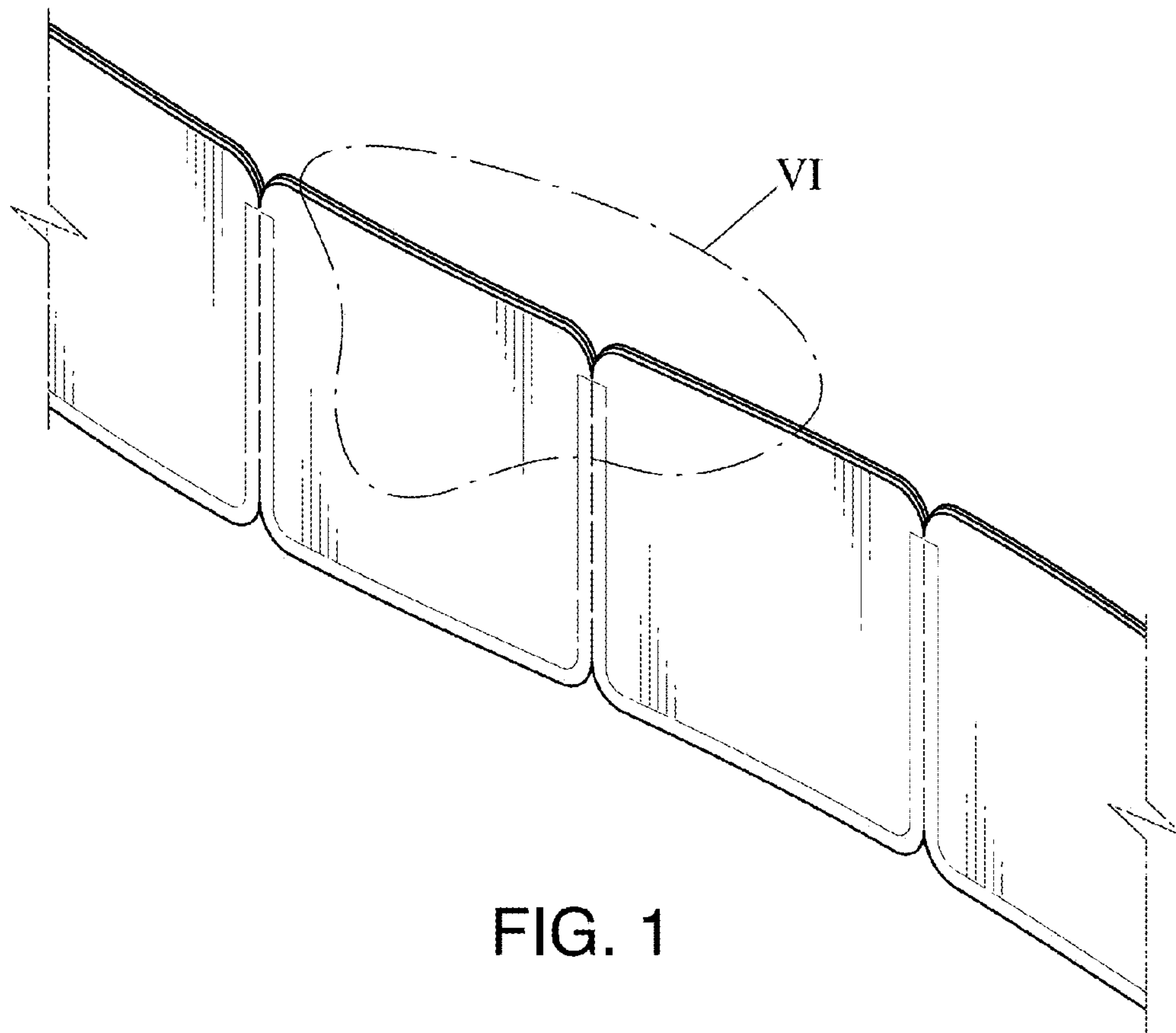


FIG. 1

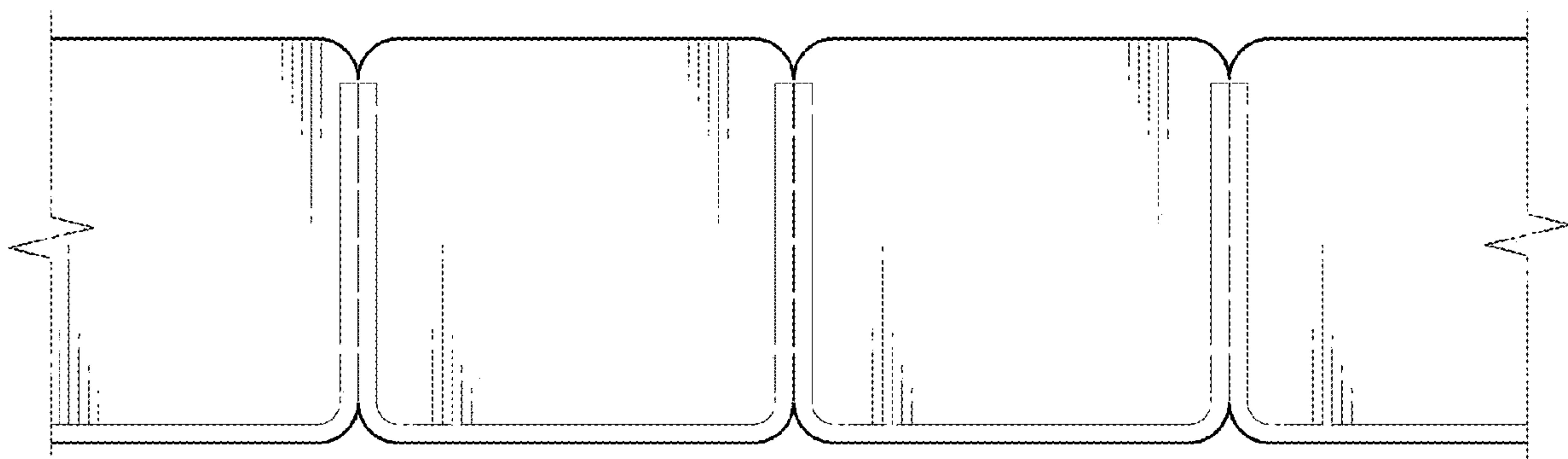


FIG. 2

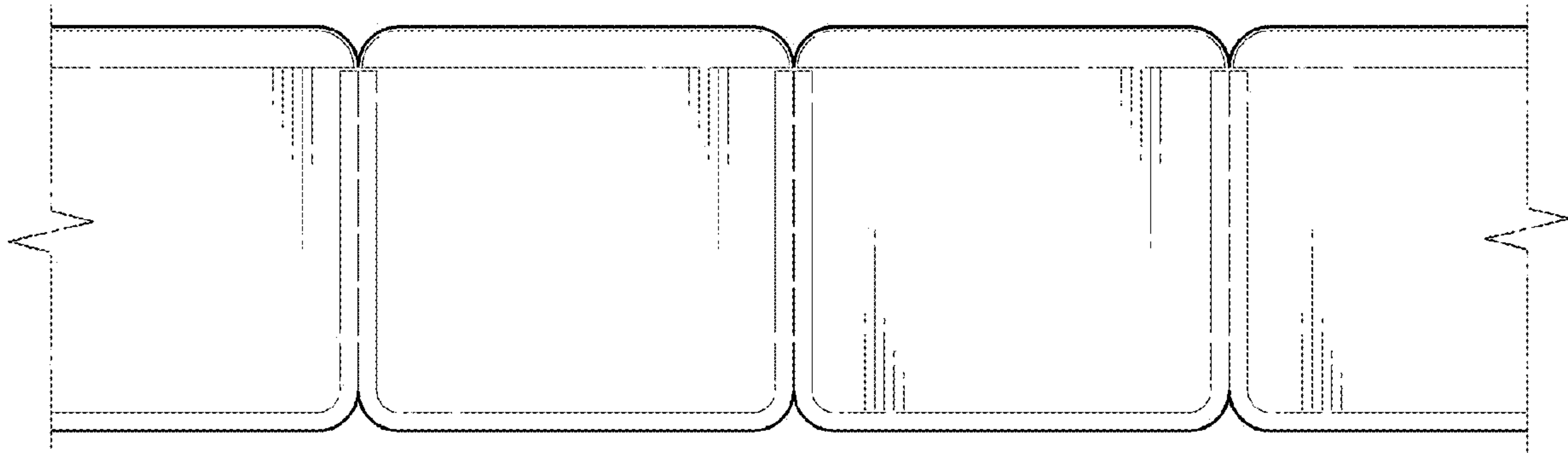


FIG. 3



FIG. 4

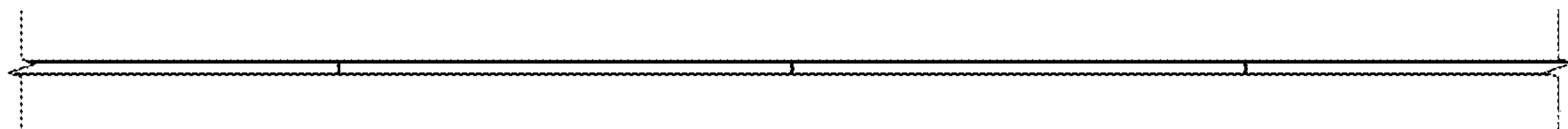


FIG. 5

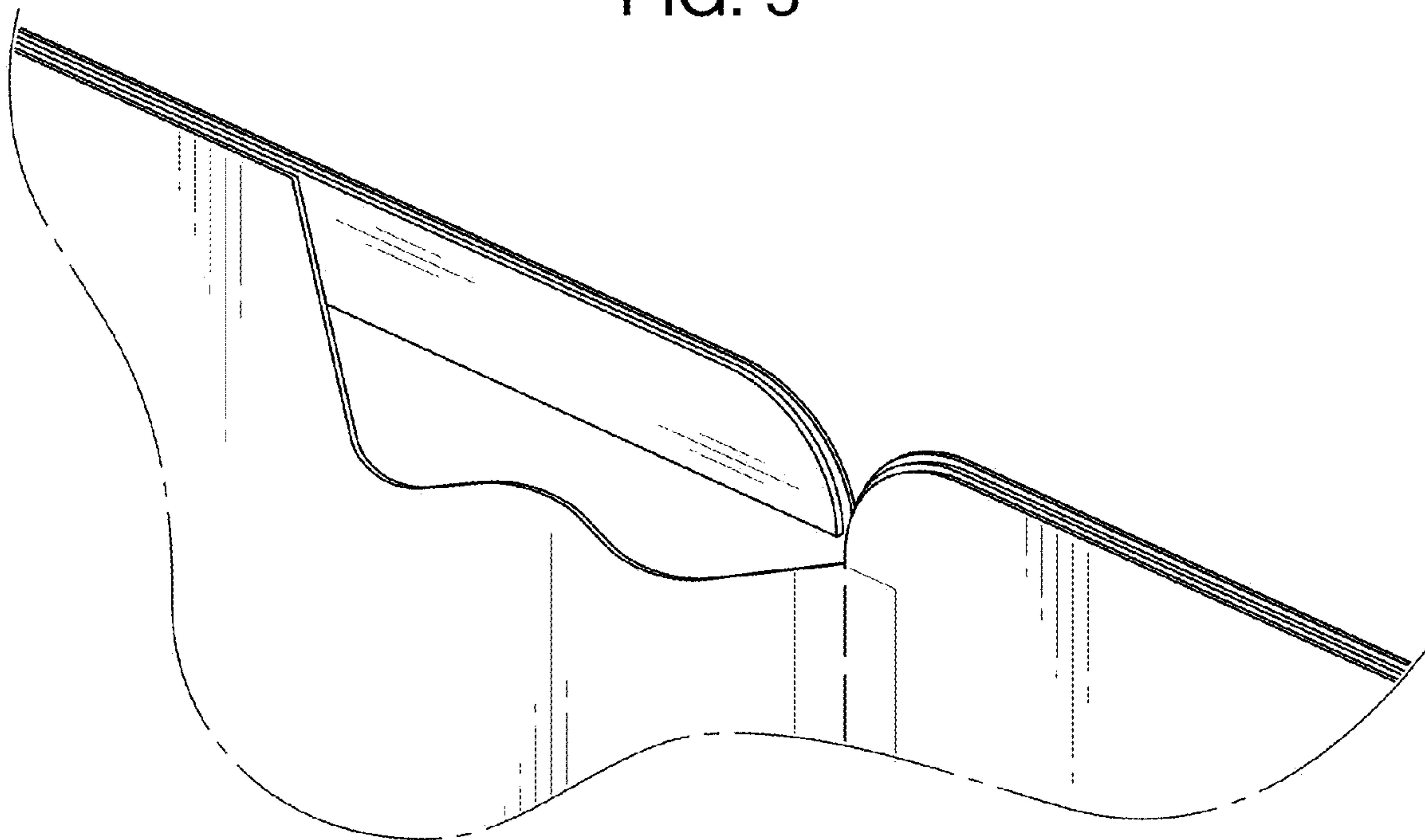


FIG. 6